



US00D354359S

# United States Patent [19]

Hylton

[11] Patent Number: **Des. 354,359**

[45] Date of Patent: **\*\* Jan. 10, 1995**

[54] WINDOW SILL SUPPORTED BASKET

[76] Inventor: **David E. Hylton**, 21915 Providence Rd., Alpharetta, Ga. 30201

[\*\*] Term: **14 Years**

[21] Appl. No.: **932,049**

[22] Filed: **Aug. 20, 1992**

[52] U.S. Cl. .... **D25/62**

[58] Field of Search ..... **D25/62; 182/91, 94, 182/97, 48, 53, 57, 194, 206**

4,079,815	3/1978	Cormier	.....	182/195
4,164,991	8/1979	Marra	.....	182/206
4,476,957	10/1984	Ory	.....	182/195
4,538,314	9/1985	Baranowski	.....	182/195

*Primary Examiner*—A. Hugo Word  
*Assistant Examiner*—Doris Clark  
*Attorney, Agent, or Firm*—Terry M. Gernstein

### [57] CLAIM

The ornamental design for a window sill supported basket, as shown and described.

### DESCRIPTION

FIG. 1 is a perspective view of the window sill supported basket embodying the design of the present invention;

FIG. 2 is a front elevational view thereof;

FIG. 3 is a rear elevational view thereof;

FIG. 4 is a side elevational view thereof;

FIG. 5 is a side elevational view thereof;

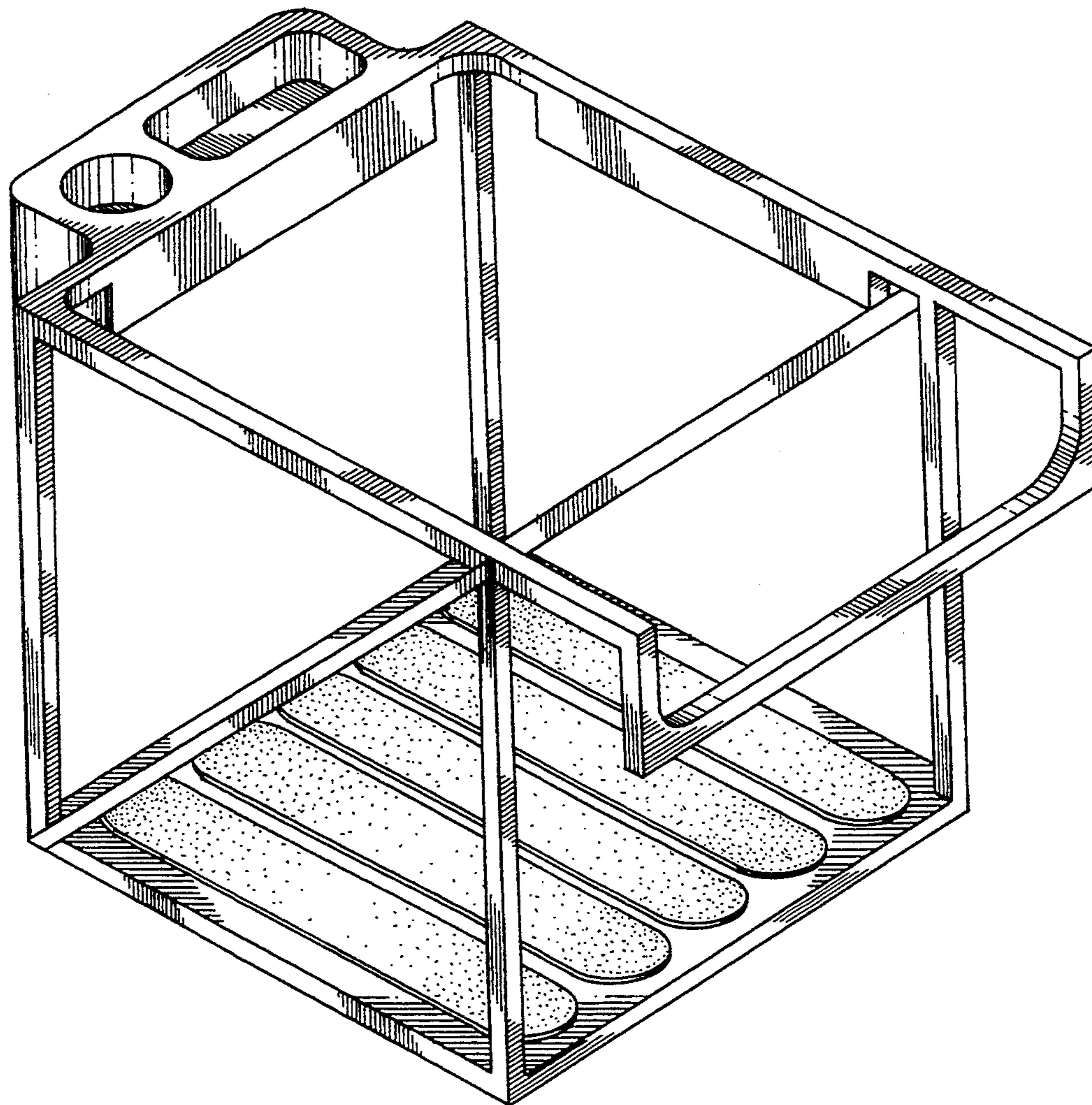
FIG. 6 is a top plan view thereof; and,

FIG. 7 is a bottom view thereof.

### [56] References Cited

#### U.S. PATENT DOCUMENTS

D. 238,606	1/1976	Cameron	.....	D25/62
D. 261,178	10/1981	Reinhard	.....	D25/62
268,132	11/1882	Sandros	.....	182/57
1,318,479	10/1919	Carter	.....	182/53
1,814,231	7/1931	Stone	.....	182/53
2,085,572	6/1937	Borda	.....	182/53
2,213,192	9/1940	Karfman	.....	182/53



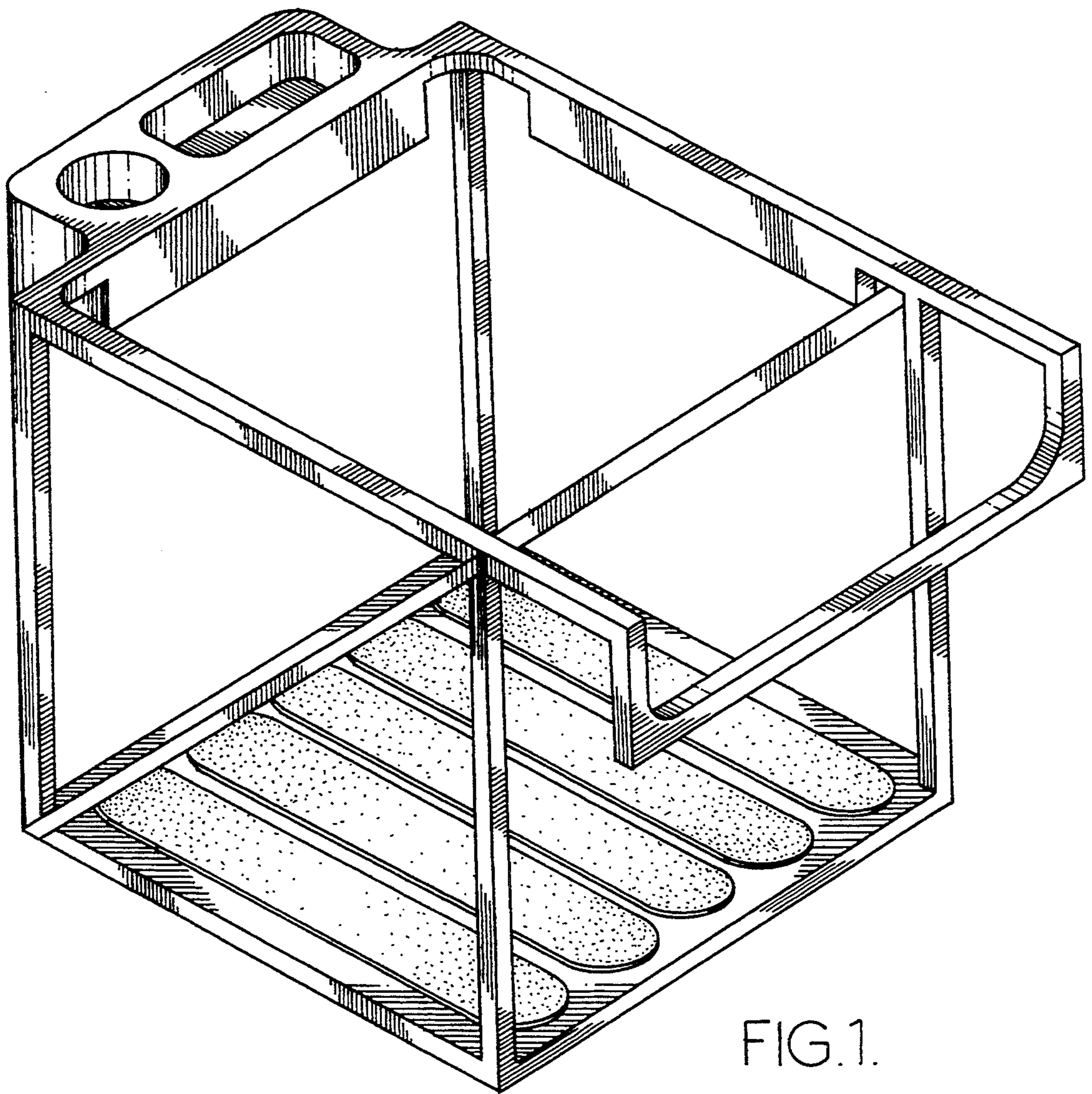


FIG.1.



FIG. 2.

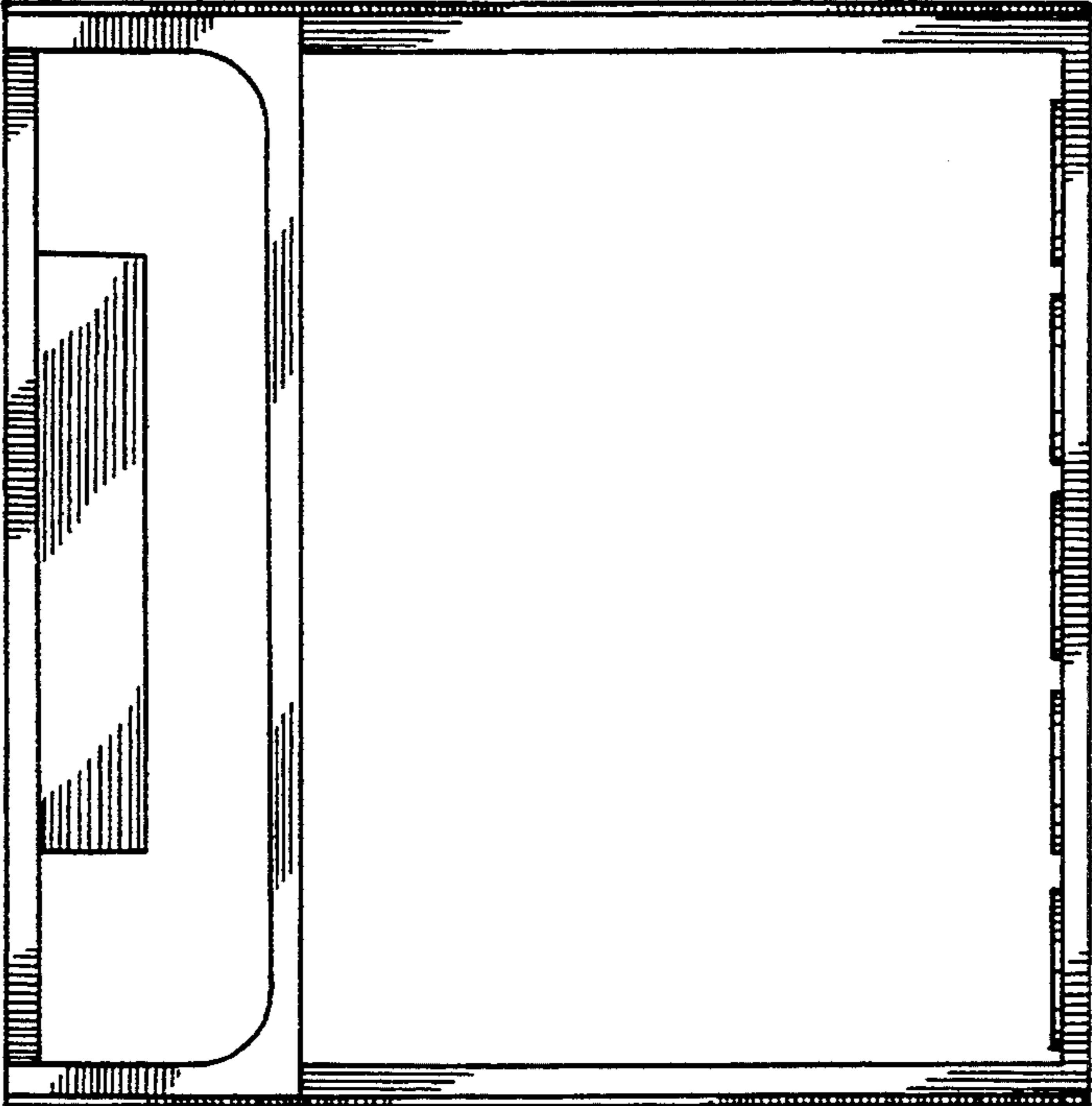


FIG. 4.

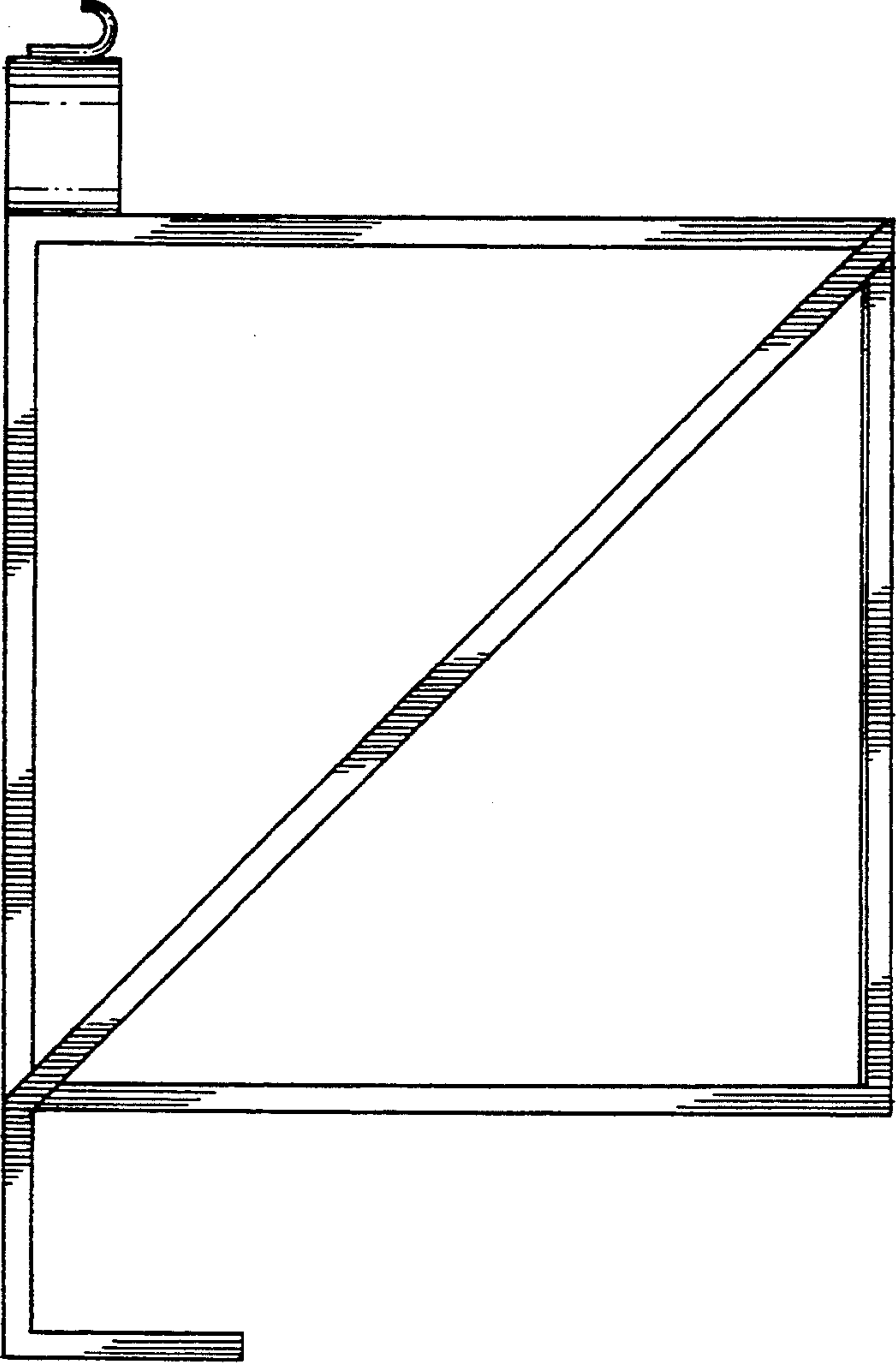


FIG. 5.

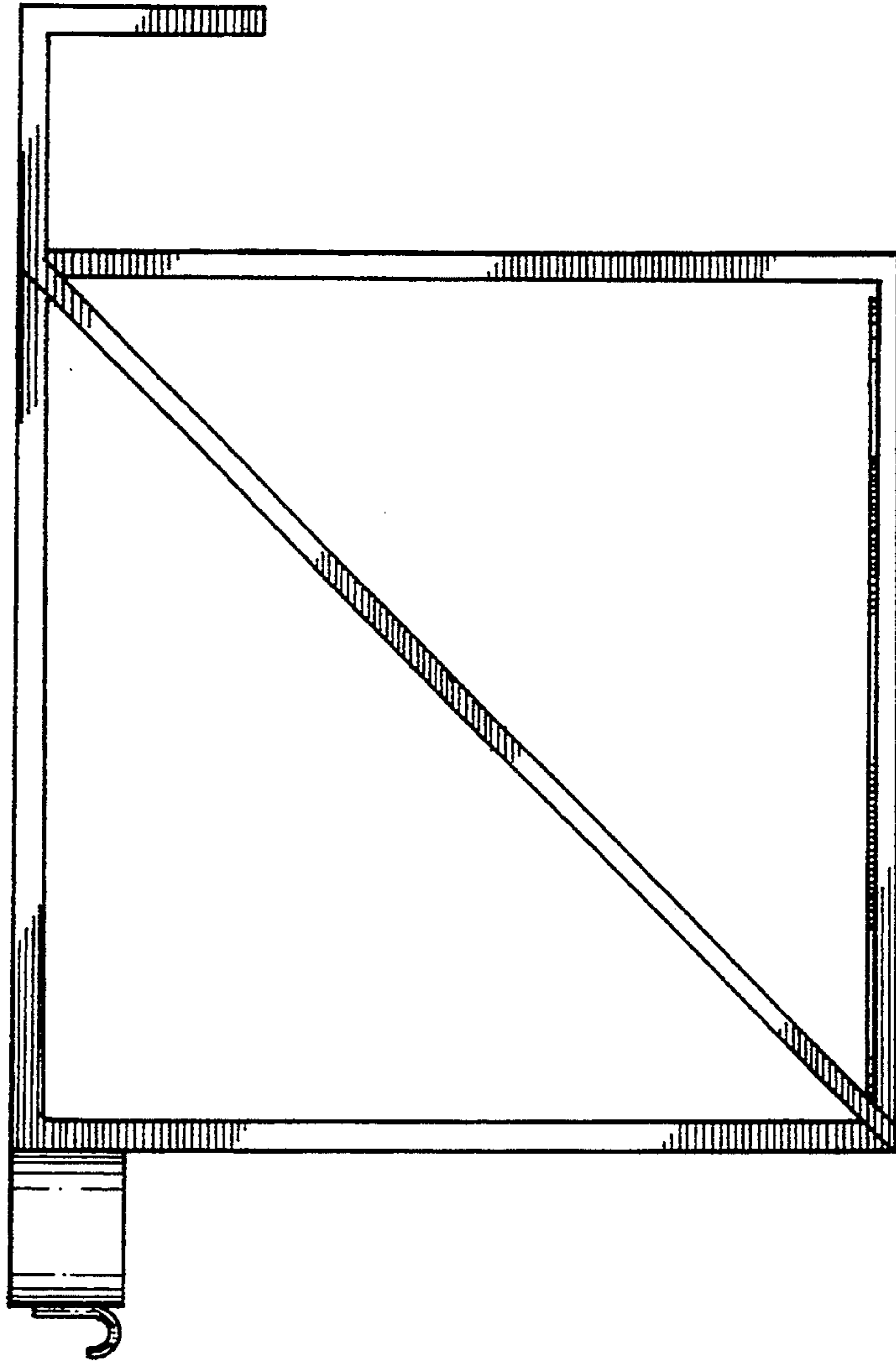


FIG. 3.

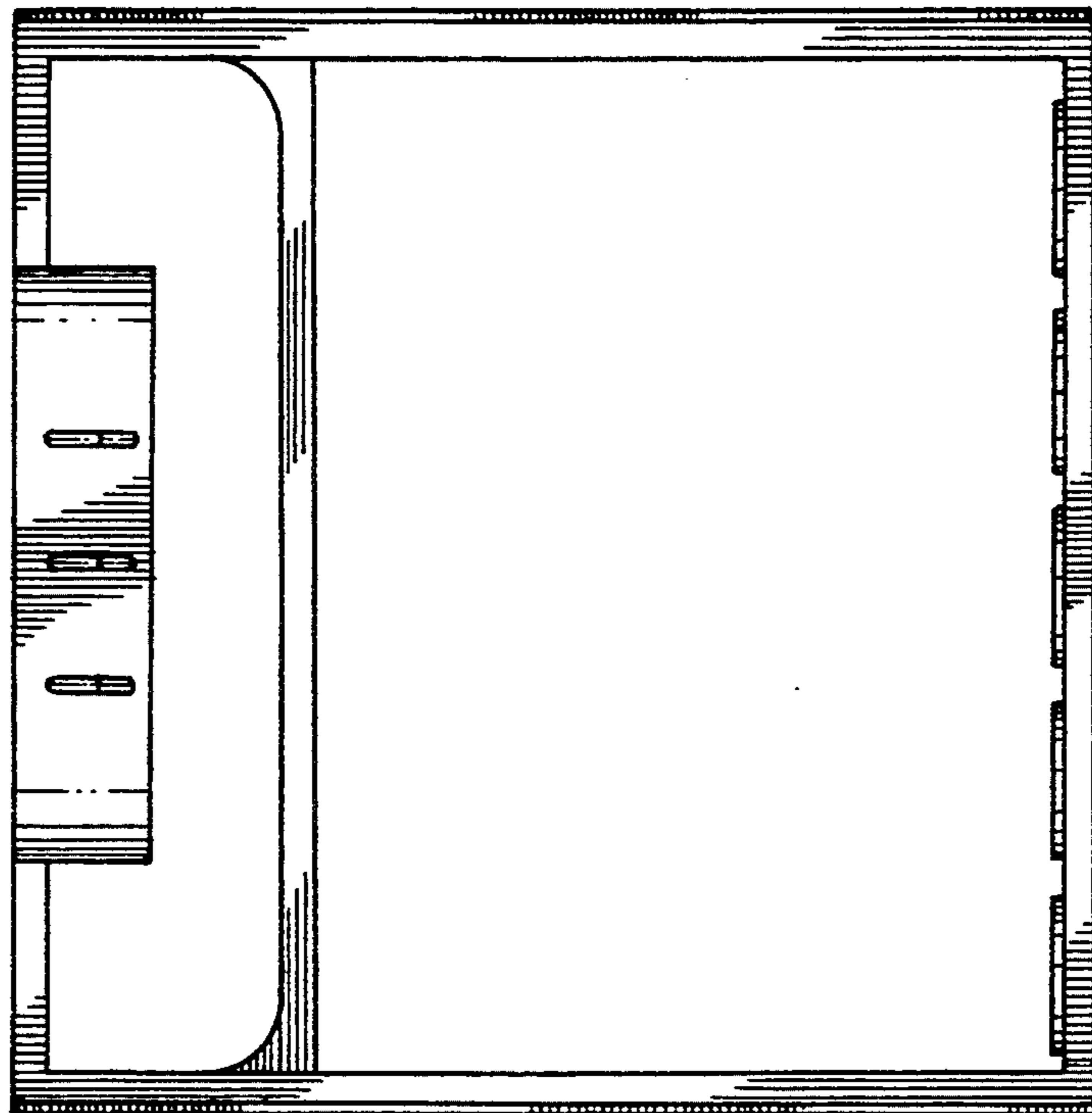


FIG. 7.

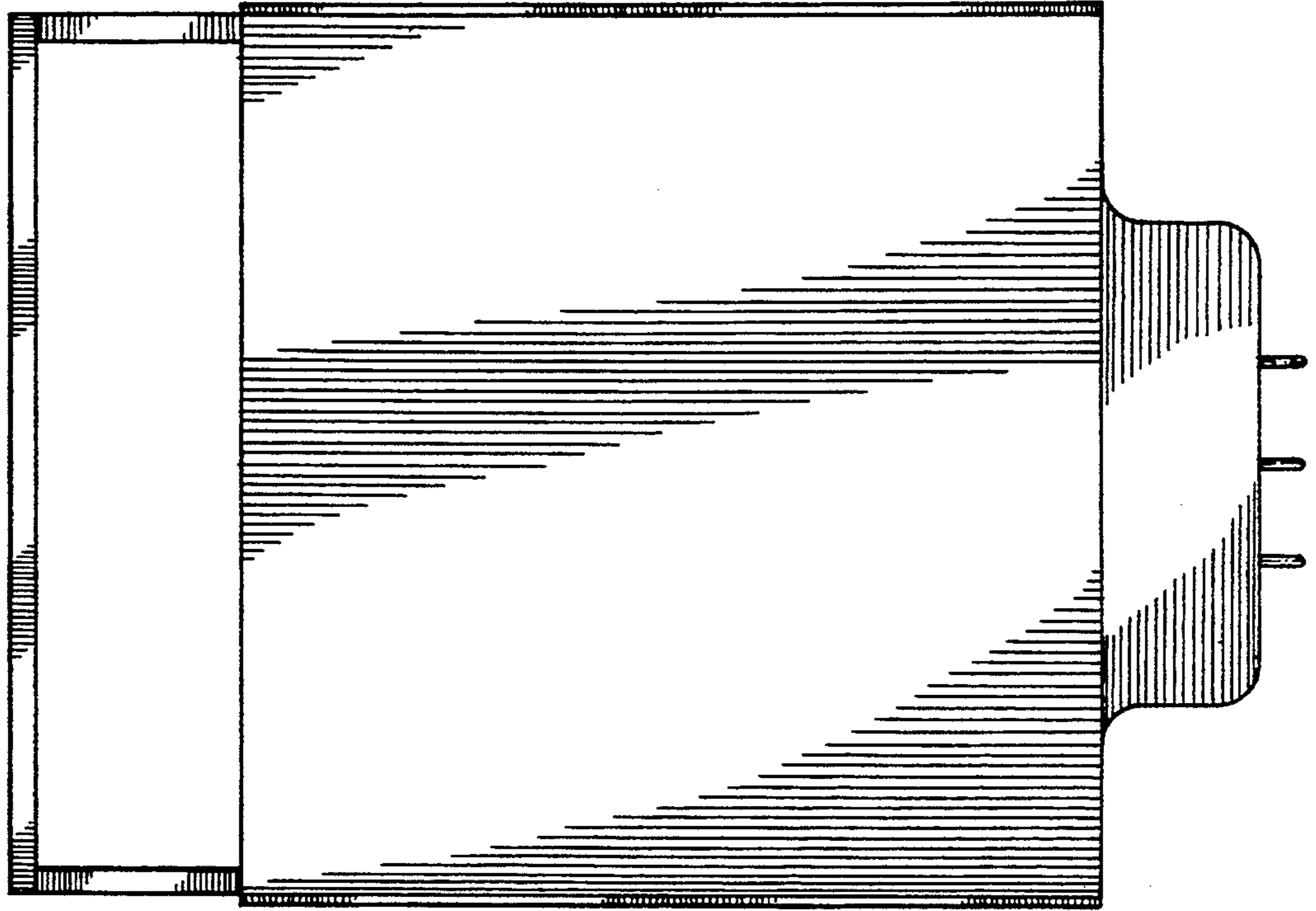


FIG. 6.

