



US00D354357S

United States Patent [19]

[11] Patent Number: Des. 354,357

Dawei

[45] Date of Patent: ** Jan. 10, 1995

[54] **HAND POWERED MASSAGER**

[76] Inventor: **Zeng Dawei**, 2451 Old Concorde Rd.
#303A, Smyrna, Ga. 30080

[**] Term: **14 Years**

[21] Appl. No.: **5,901**

[22] Filed: **Mar. 15, 1993**

[52] U.S. Cl. **D24/211**

[58] Field of Search D24/211, 212, 213, 200;
601/107, 108, 111, 118, 122, 123, 125, 129, 130,
134-137

2,519,066 8/1950 Reid 601/123 X
4,825,853 5/1989 Iwamoto .
4,878,489 11/1989 Kamayachi .
4,958,628 9/1990 Iwamoto .

Primary Examiner—Stella Reid
Attorney, Agent, or Firm—Terry M. Gernstein

[57] CLAIM

The ornamental design for a hand powered massager, as shown and described.

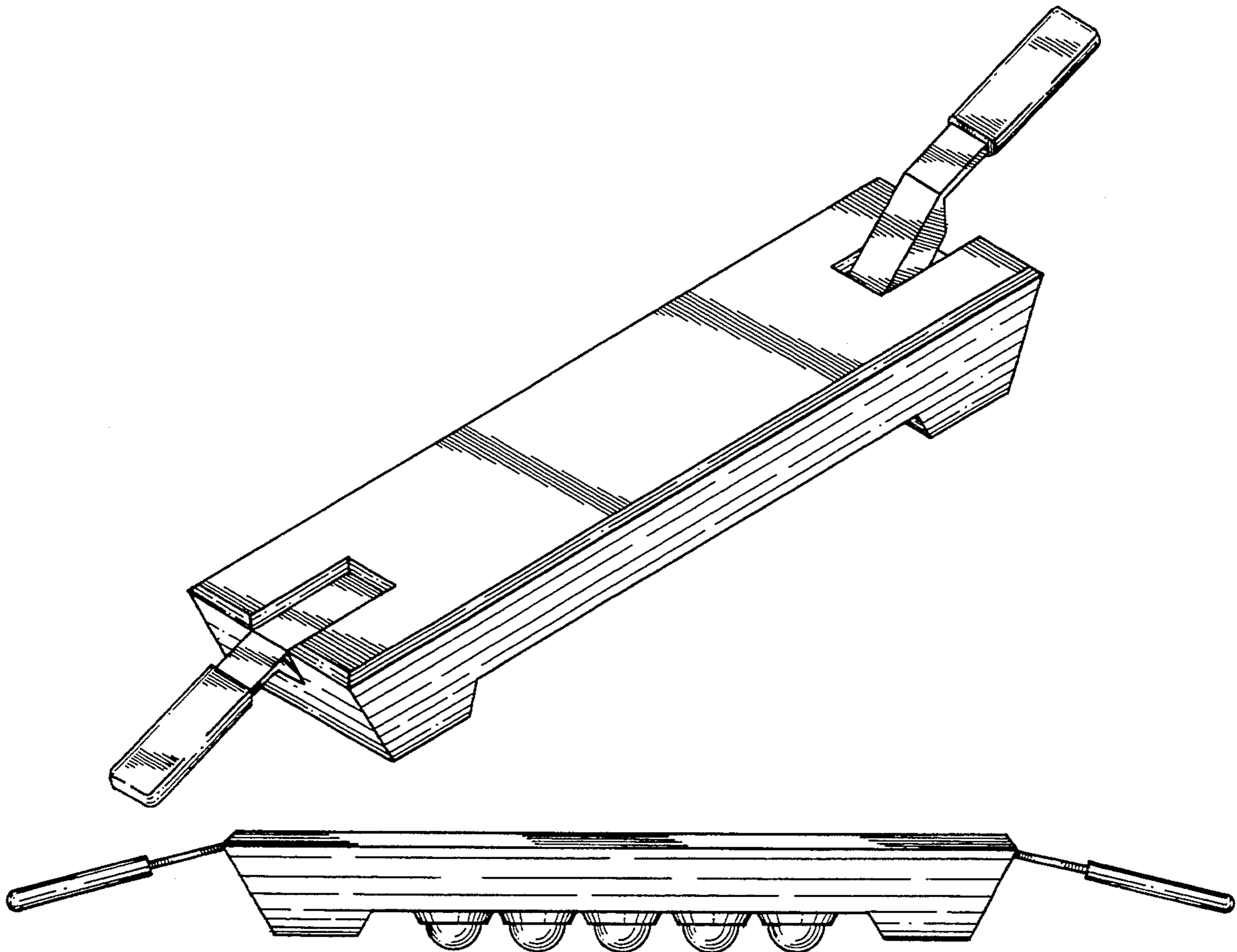
DESCRIPTION

FIG. 1 is a front, top and side perspective view of the hand powered massager showing my new design;
FIG. 2 is a front elevational view thereof, the rear being a mirror image of the front shown in FIG. 2;
FIG. 3 is an end elevational view thereof, the end opposite being a mirror image of the end shown in FIG. 3;
FIG. 4 is a top plan view thereof; and,
FIG. 5 is a bottom plan view thereof.

[56] **References Cited**

U.S. PATENT DOCUMENTS

D. 279,126	6/1985	Kaaser	D24/211
D. 281,354	11/1985	Nakao et al.	D24/211
1,532,462	4/1925	Winterfield	601/123 X
1,615,910	2/1927	Nuyts	601/129
2,193,249	3/1940	Flanders et al.	601/123



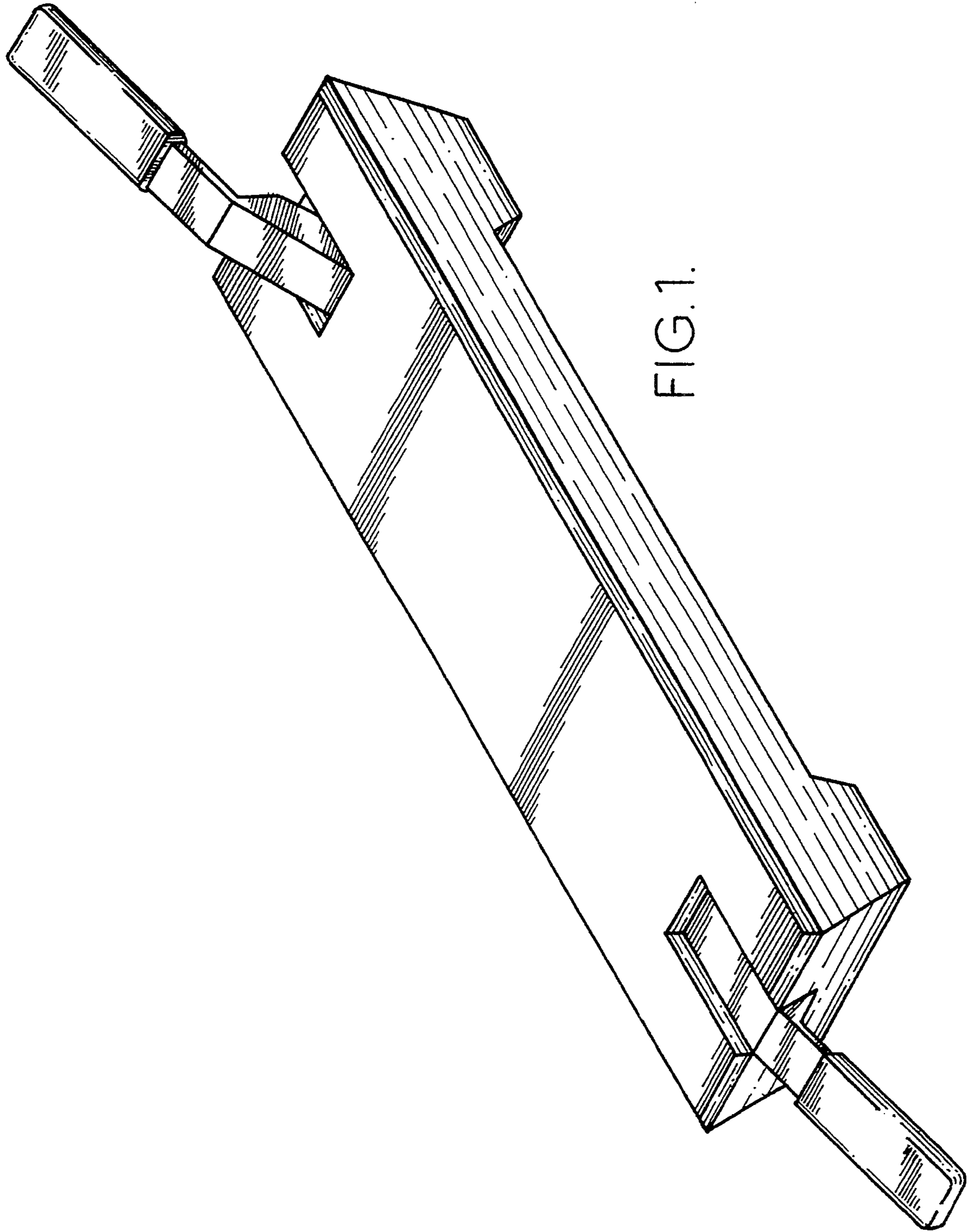


FIG. 1.

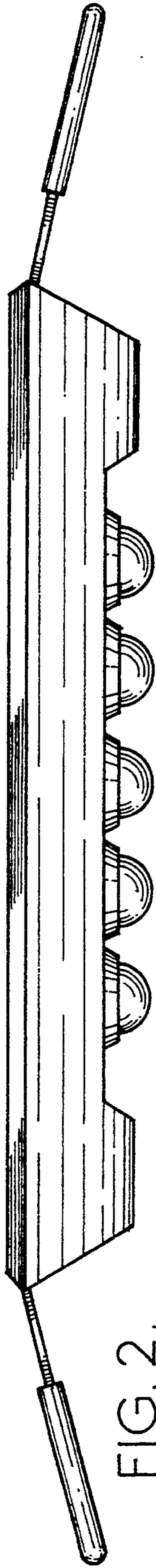


FIG. 2.

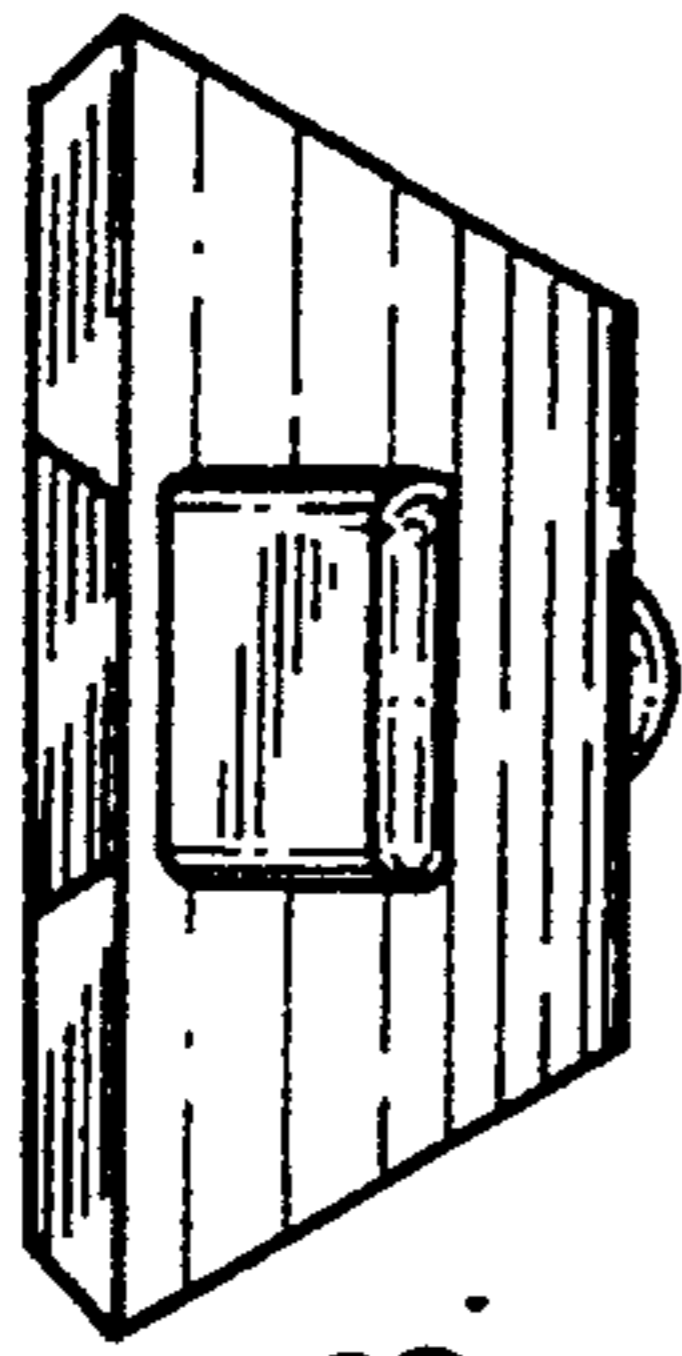


FIG. 3.

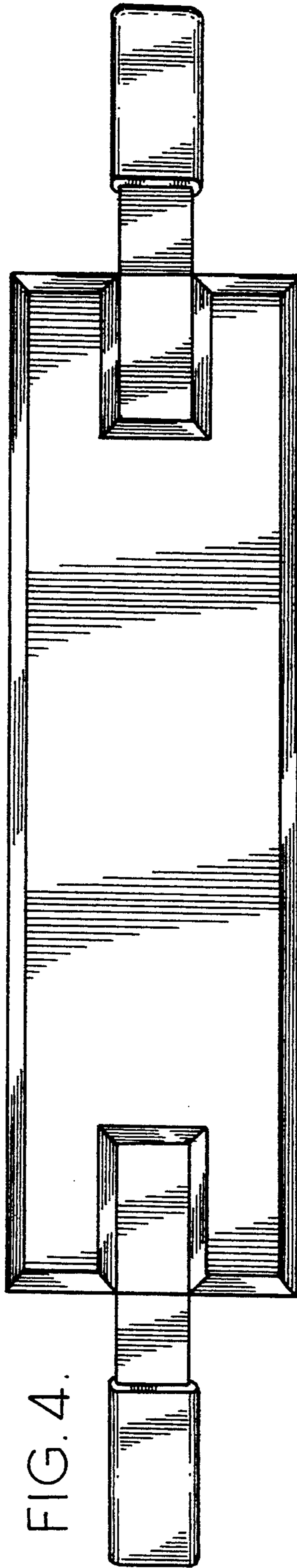


FIG. 4.

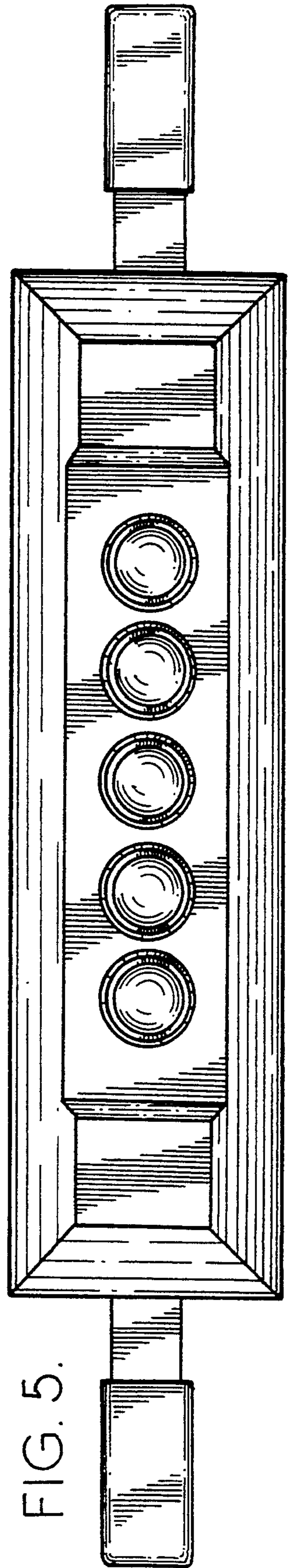


FIG. 5.