



US00D354353S

United States Patent [19]

[11] Patent Number: Des. 354,353

Ishizuka et al.

[45] Date of Patent: ** Jan. 10, 1995

[54] ULTRASOUND DIAGNOSTIC INSTRUMENT

[75] Inventors: **Akihiko Ishizuka; Hiroyuki Fujita; Nobushi Iwashita**, all of Kawasaki, Japan

[73] Assignee: **Fujitsu Limited**, Kawasaki, Japan

[**] Term: **14 Years**

[21] Appl. No.: **12,902**

[22] Filed: **Aug. 13, 1993**

[30] Foreign Application Priority Data

Feb. 15, 1993 [JP] Japan 5-4020

[52] U.S. Cl. **D24/160**

[58] Field of Search D24/160, 186; 128/660.01-660.08, 661.01-661.03

[56] References Cited

U.S. PATENT DOCUMENTS

D. 280,762 9/1985 LaCelle et al. D24/160

D. 286,325	10/1986	LaCelle et al.	D24/160
D. 300,241	3/1989	LaCelle et al.	D24/160
D. 318,919	8/1991	Takaki et al.	D24/160
D. 334,981	4/1993	Davis et al.	D24/160
5,129,397	7/1992	Jingu et al.	128/660.01
5,161,535	11/1992	Short et al.	128/660.01

Primary Examiner—Stella Reid
Attorney, Agent, or Firm—Staas & Halsey

[57] CLAIM

The ornamental design for an ultrasound diagnostic instrument, as shown.

DESCRIPTION

FIG. 1 is a front elevational view of our ultrasound diagnostic instrument design;
FIG. 2 is a rear elevational view thereof;
FIG. 3 is a left side elevational view thereof;
FIG. 4 is a right side elevational view thereof;
FIG. 5 is a top plan thereof;
FIG. 6 is a bottom plan view thereof; and,
FIG. 7 is a perspective view thereof.

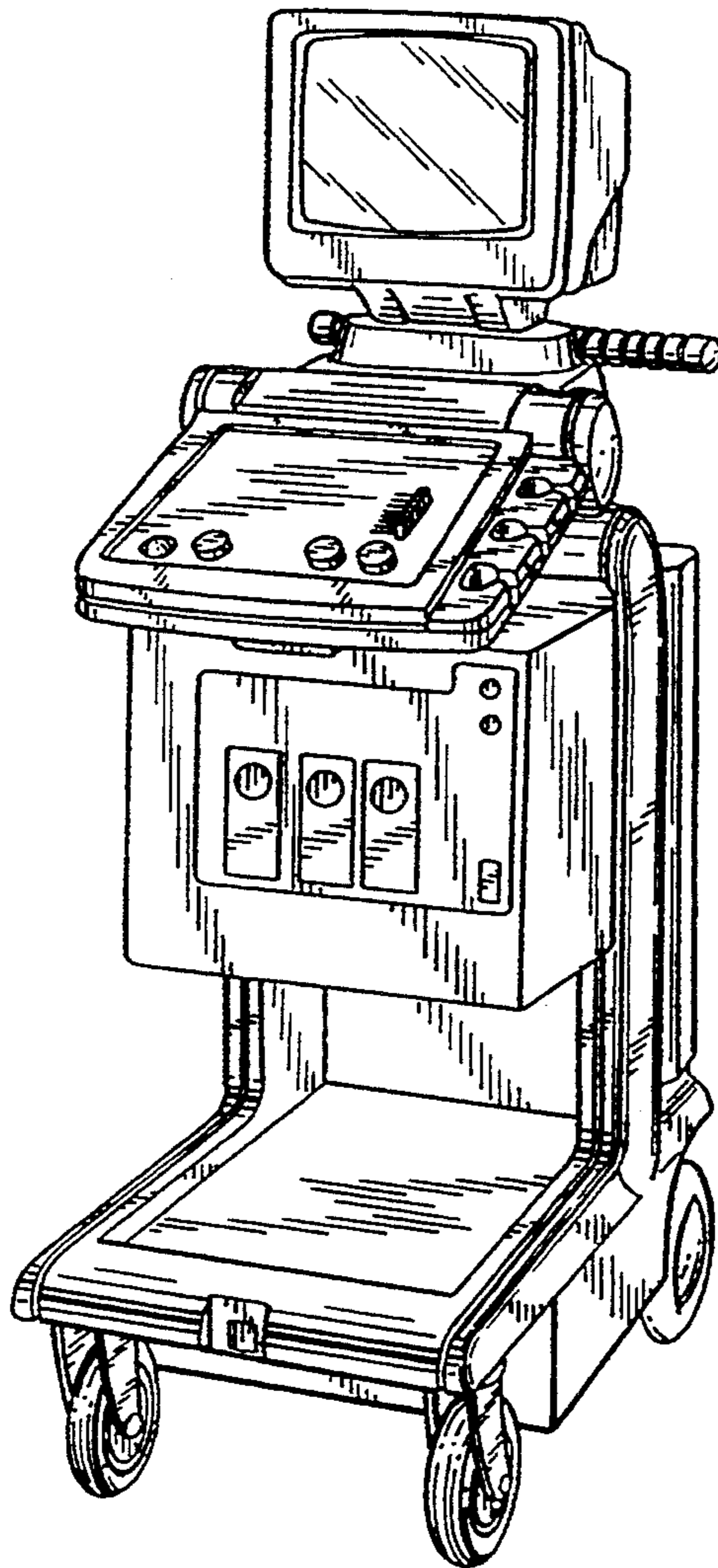


FIG. 2

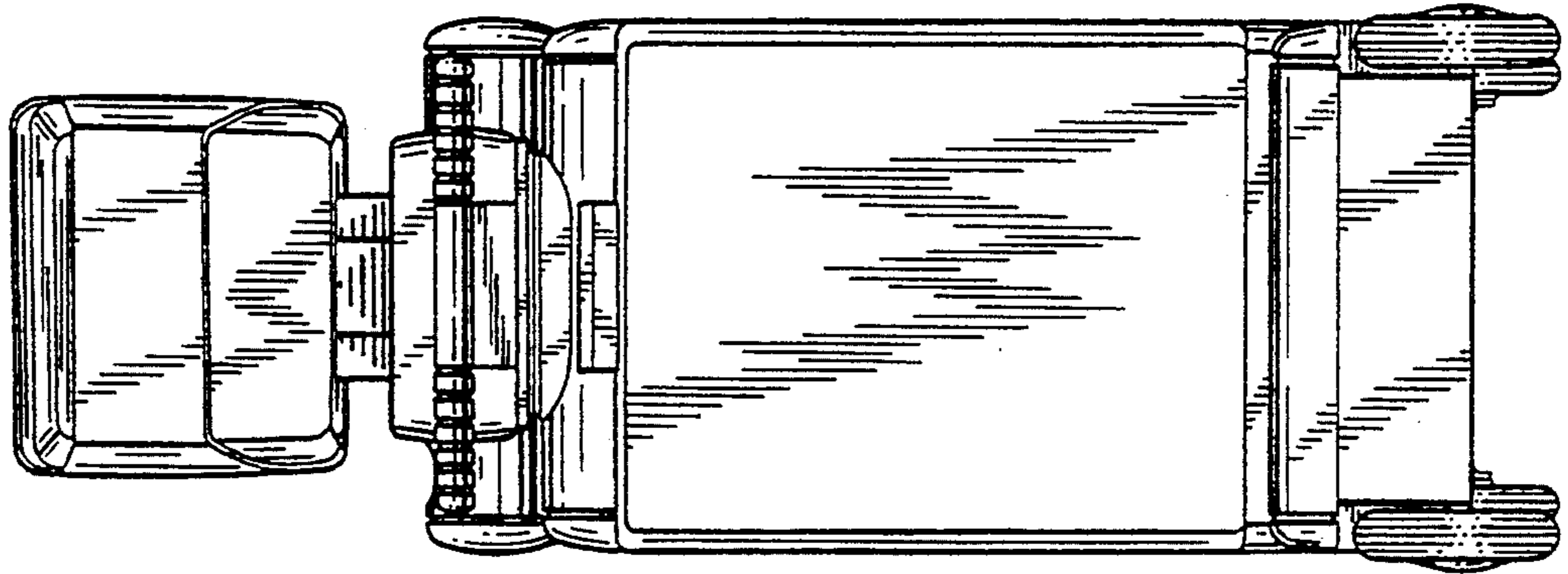


FIG. 1

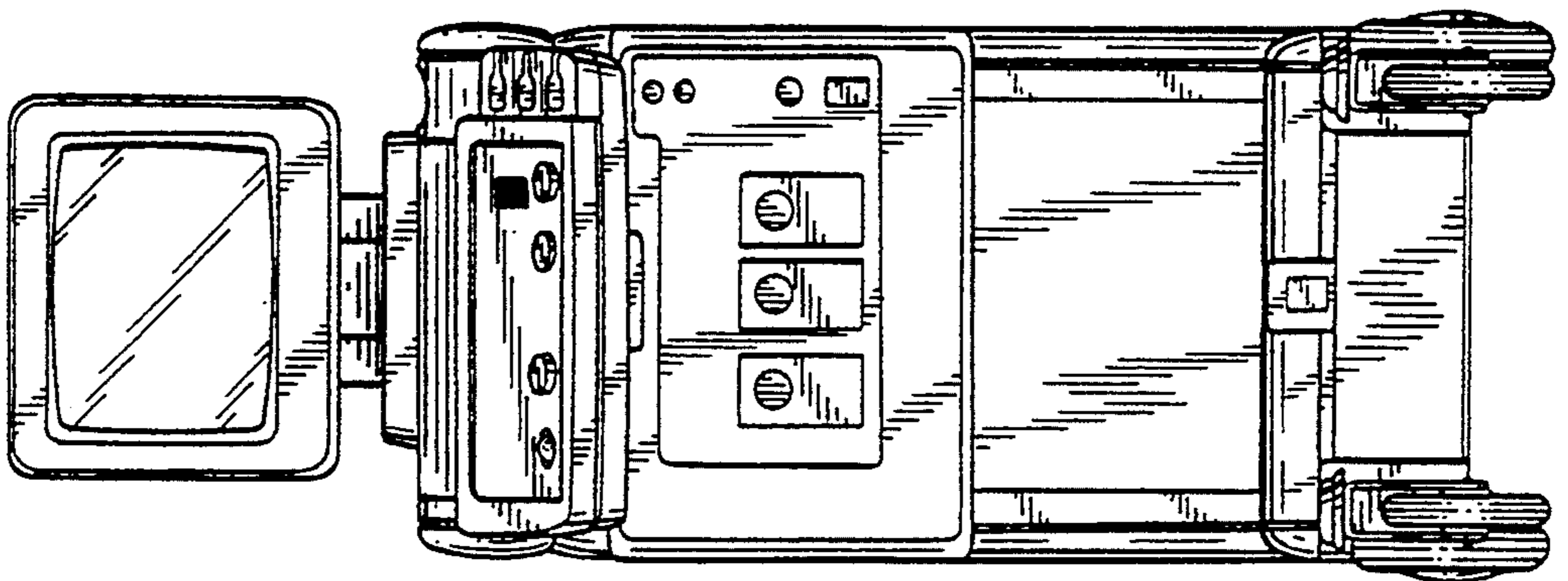


FIG. 4

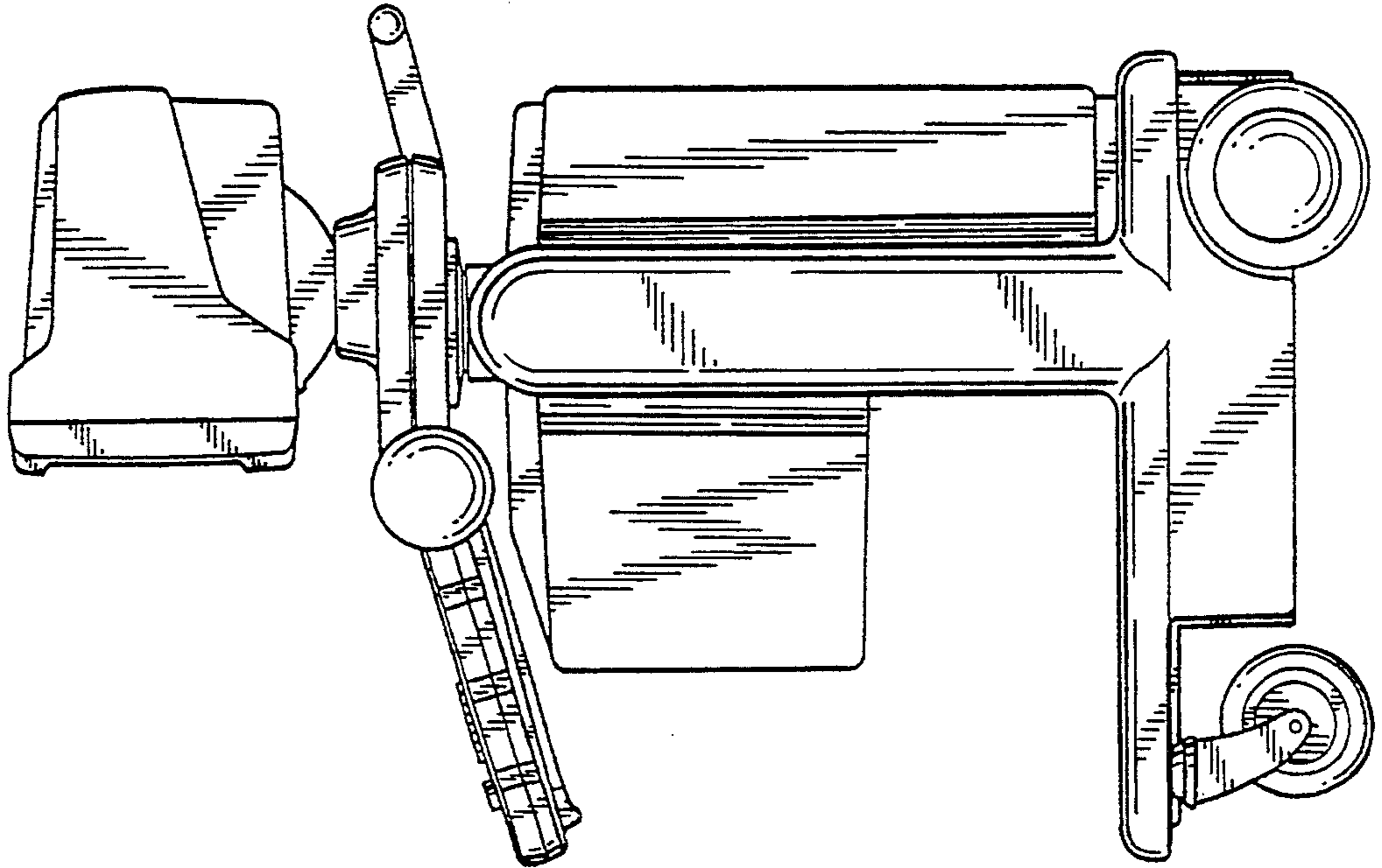


FIG. 3

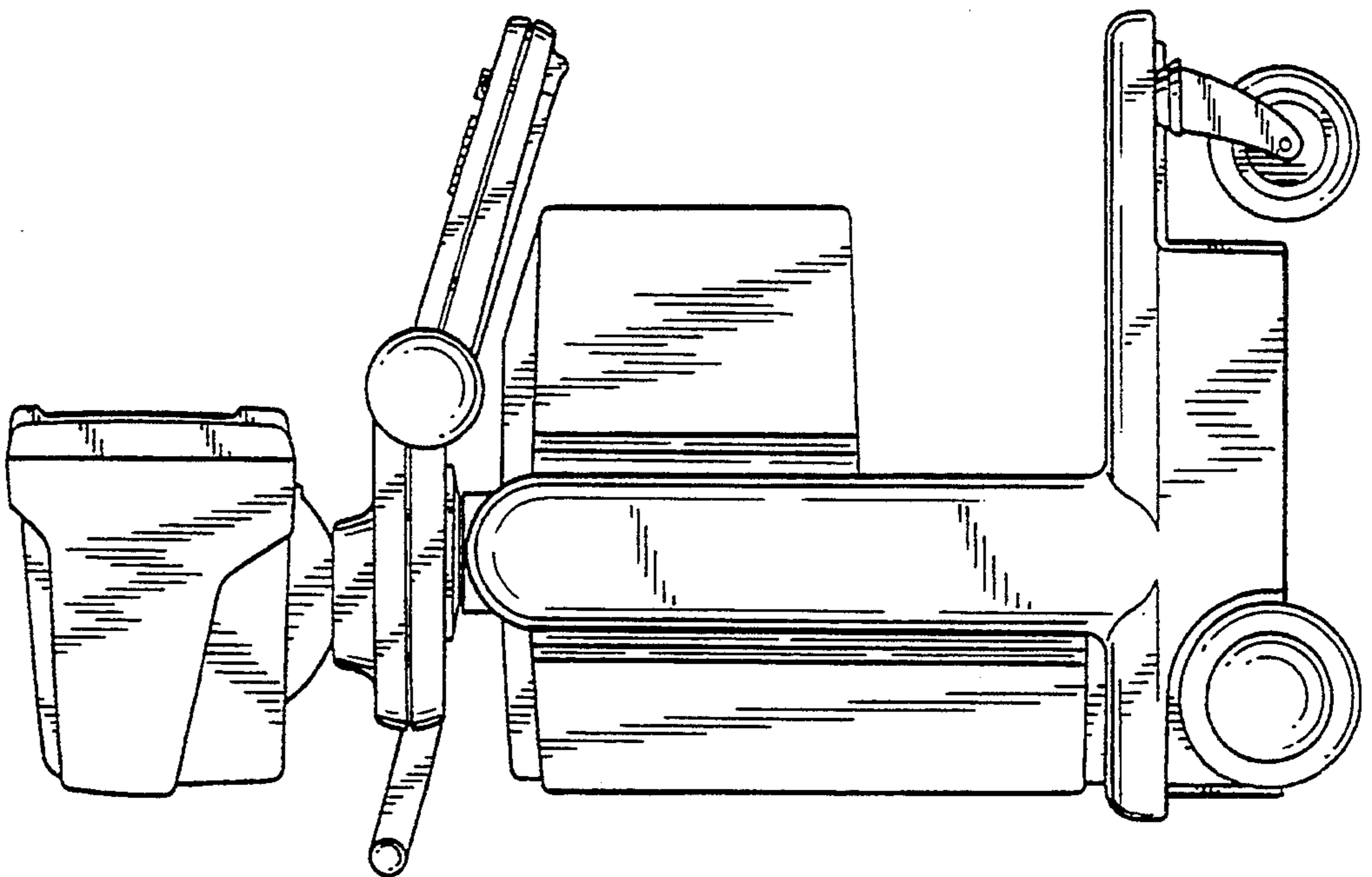


FIG. 6

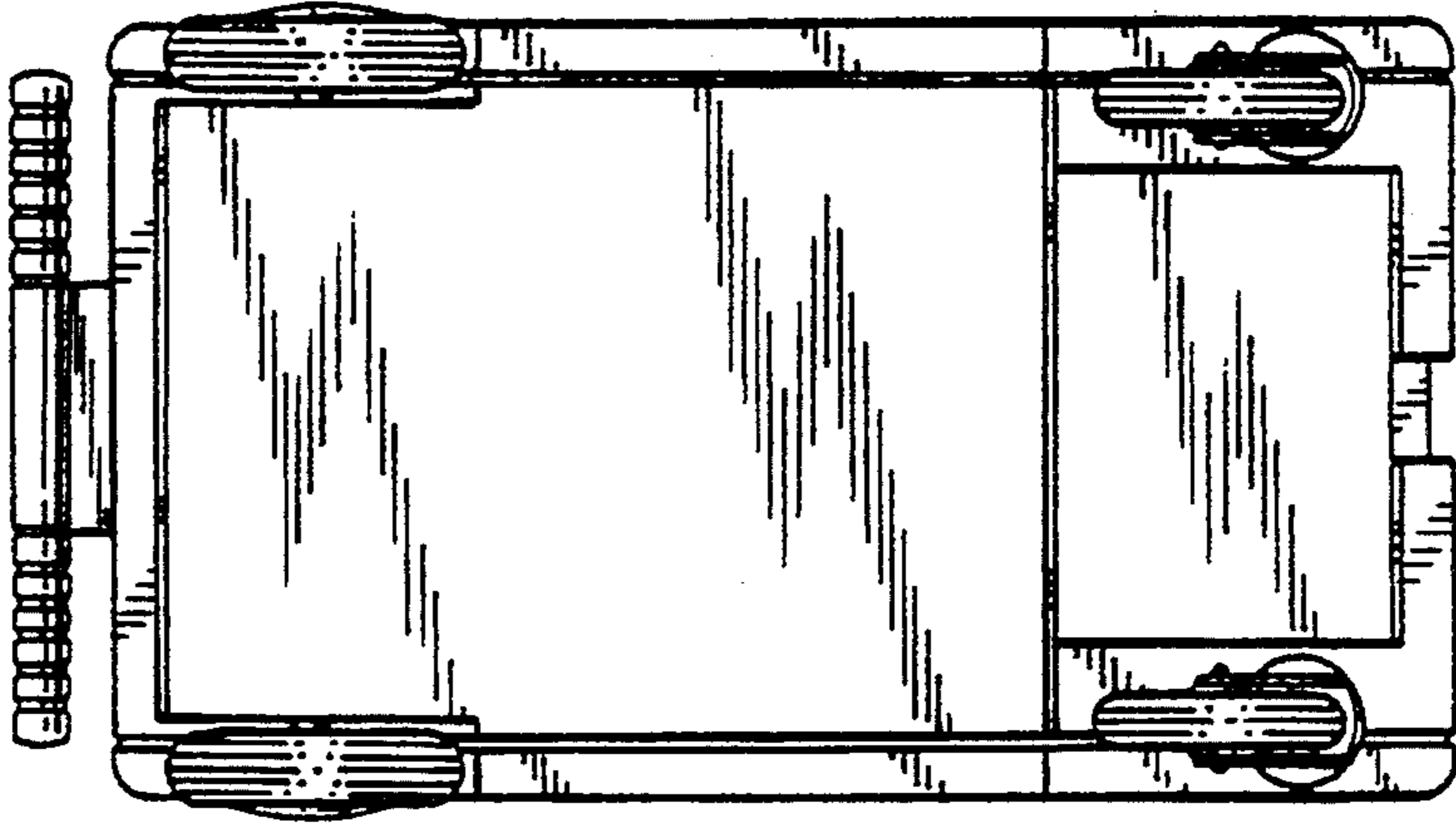


FIG. 5

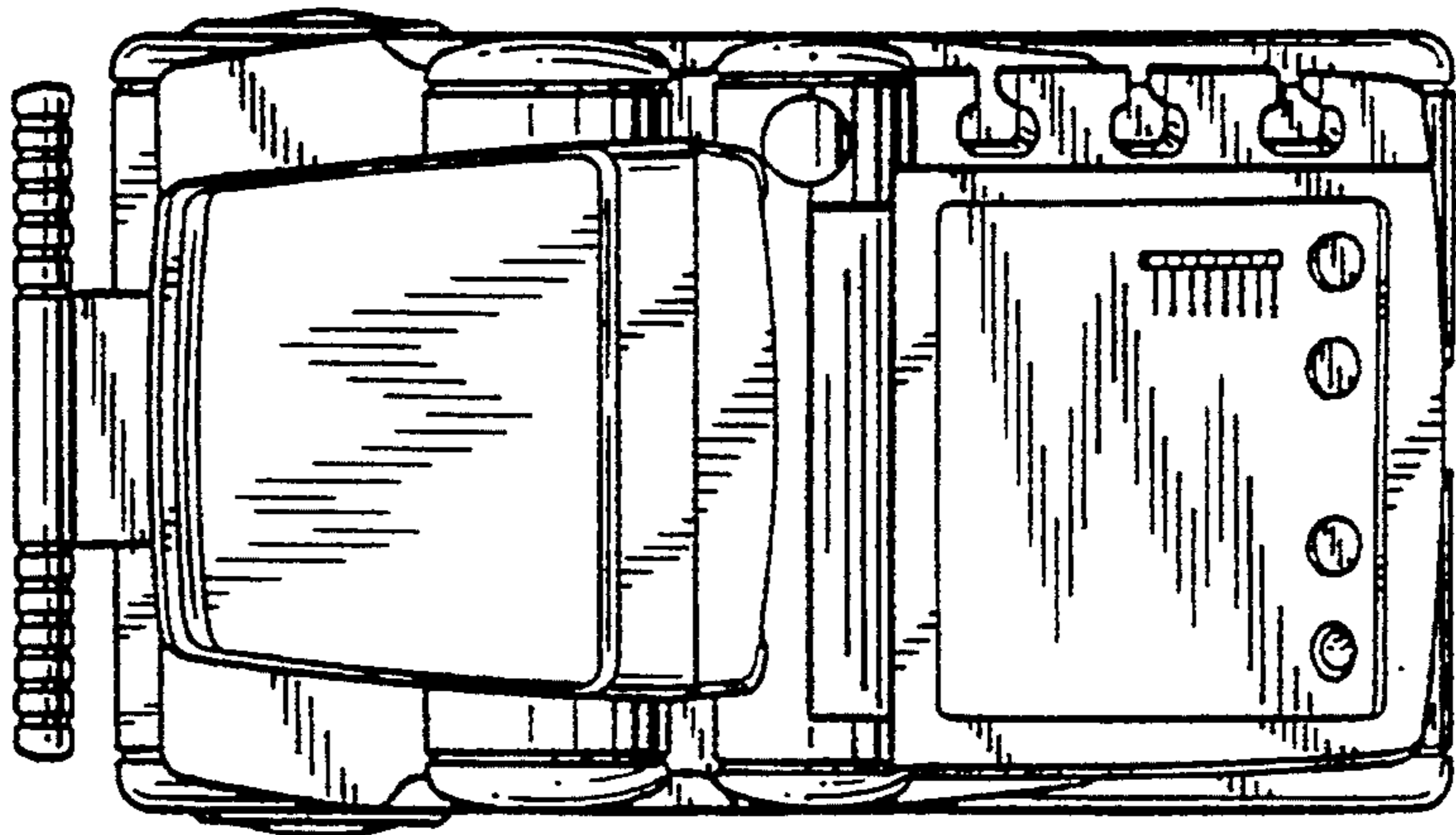


FIG. 7

