



US00D354350S

United States Patent [19]

Pryor et al.

[11] Patent Number: **Des. 354,350**

[45] Date of Patent: **** Jan. 10, 1995**

[54] **MEDICAL EQUIPMENT SUPPORT**

[75] Inventors: **John W. Pryor, Oceanside; Jeffery W. Pryor, Vista, both of Calif.**

[73] Assignee: **Pryor Products, Oceanside, Calif.**

[**] Term: **14 Years**

[21] Appl. No.: **4,543**

[22] Filed: **Feb. 8, 1993**

[52] U.S. Cl. **D24/128; D8/373**

[58] Field of Search **D24/128, 129; D8/373, D8/382, 354; 248/214, 310; 108/46**

[56] **References Cited**

U.S. PATENT DOCUMENTS

D. 281,453	11/1985	DiGianFilippo et al.	D24/128
D. 287,055	12/1986	Fick et al.	D24/128
D. 346,655	5/1994	Harris	D24/128
4,332,378	6/1982	Pryor	272/70.3
4,725,027	2/1988	Bekanich	248/125
4,945,592	8/1990	Sims et al.	5/508

5,114,023	5/1992	Lavin	D24/128 X
5,149,036	9/1992	Sheehan	248/215
5,236,162	8/1993	DesJardins	248/214

OTHER PUBLICATIONS

LifeCare Equipment Transport Systems brochure, Abbott Laboratories, May 15, 1991, pp. 1, 2, 3 and 6.

Primary Examiner—A. Hugo Word

Assistant Examiner—I. Simmons

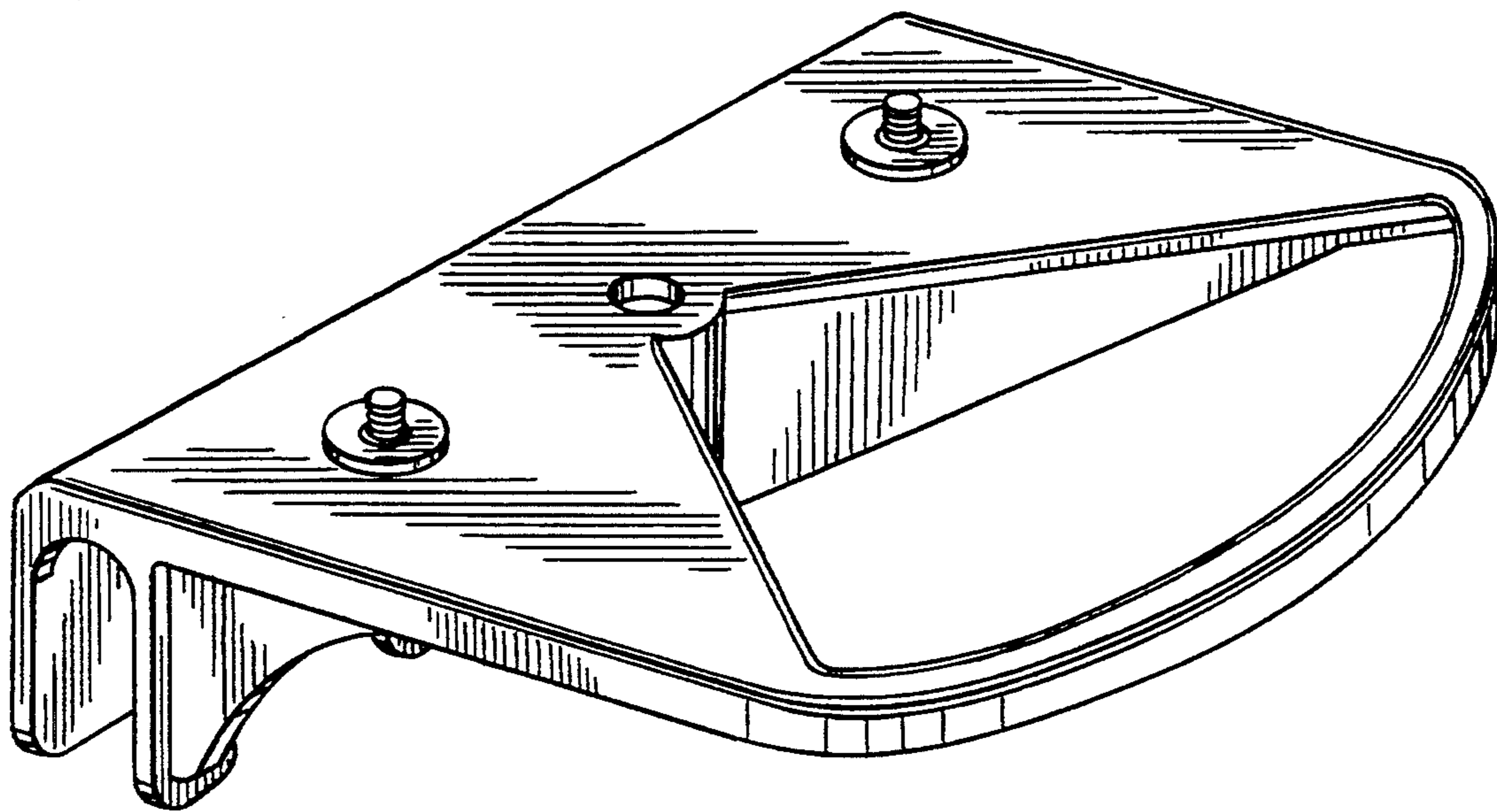
Attorney, Agent, or Firm—Brown, Martin, Haller & McClain

[57] CLAIM

The ornmental design for a medical equipment support, as shown.

DESCRIPTION

FIG. 1 is a perspective view of a medical equipment support, showing our new design; FIG. 2 is a side elevational view thereof; FIG. 3 is a front elevational view thereof; FIG. 4 is a bottom plan view thereof; and, FIG. 5 is a rear elevational view thereof.



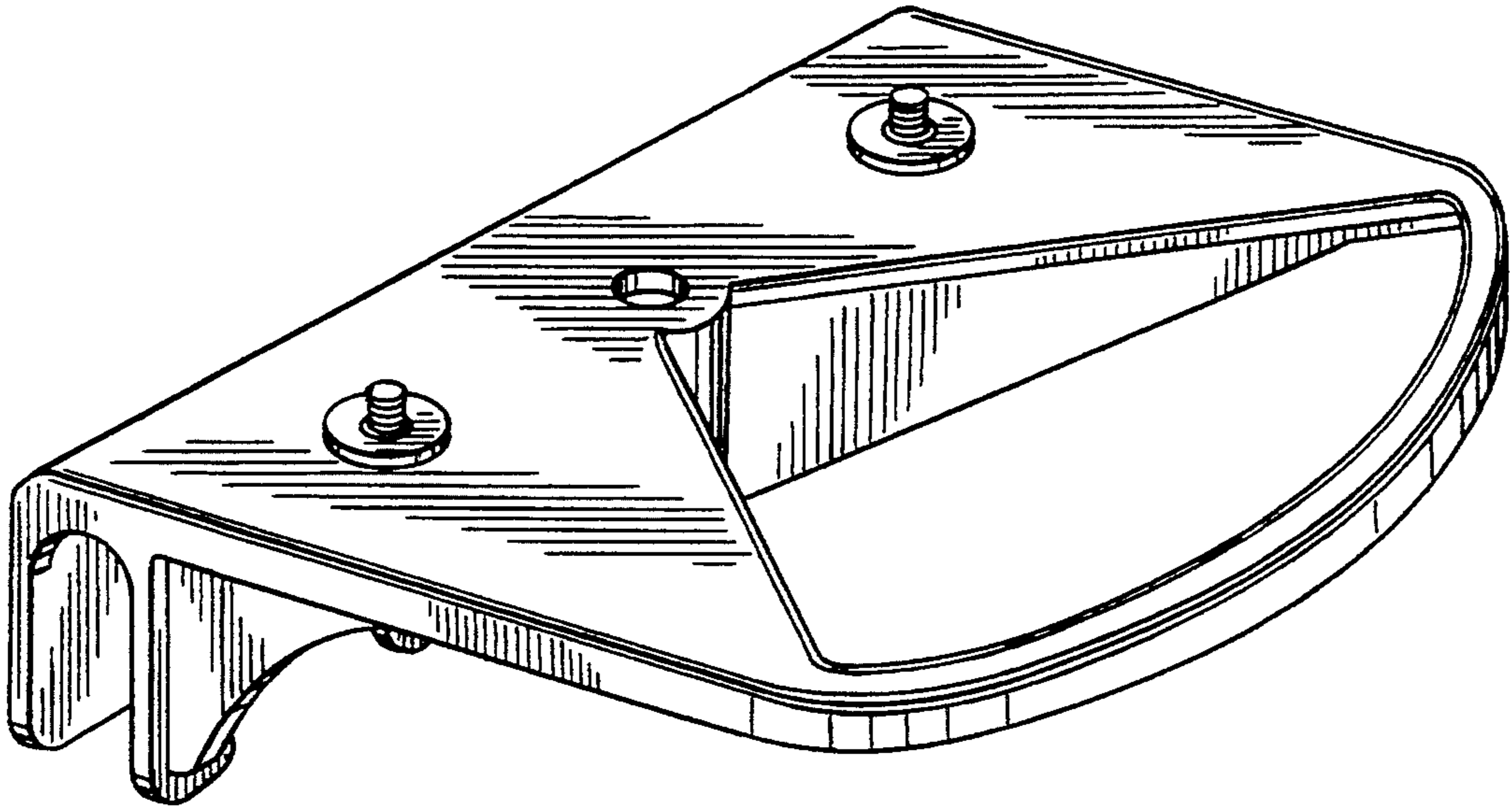


FIG. 1

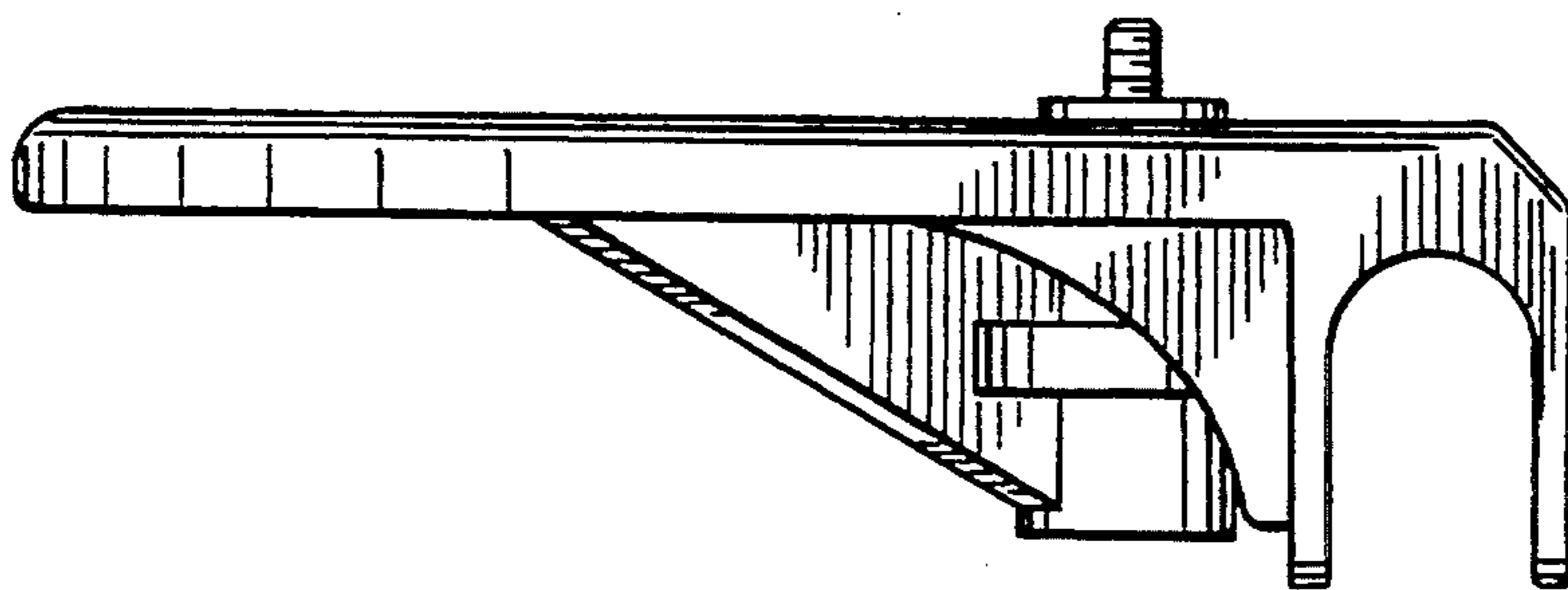


FIG. 2

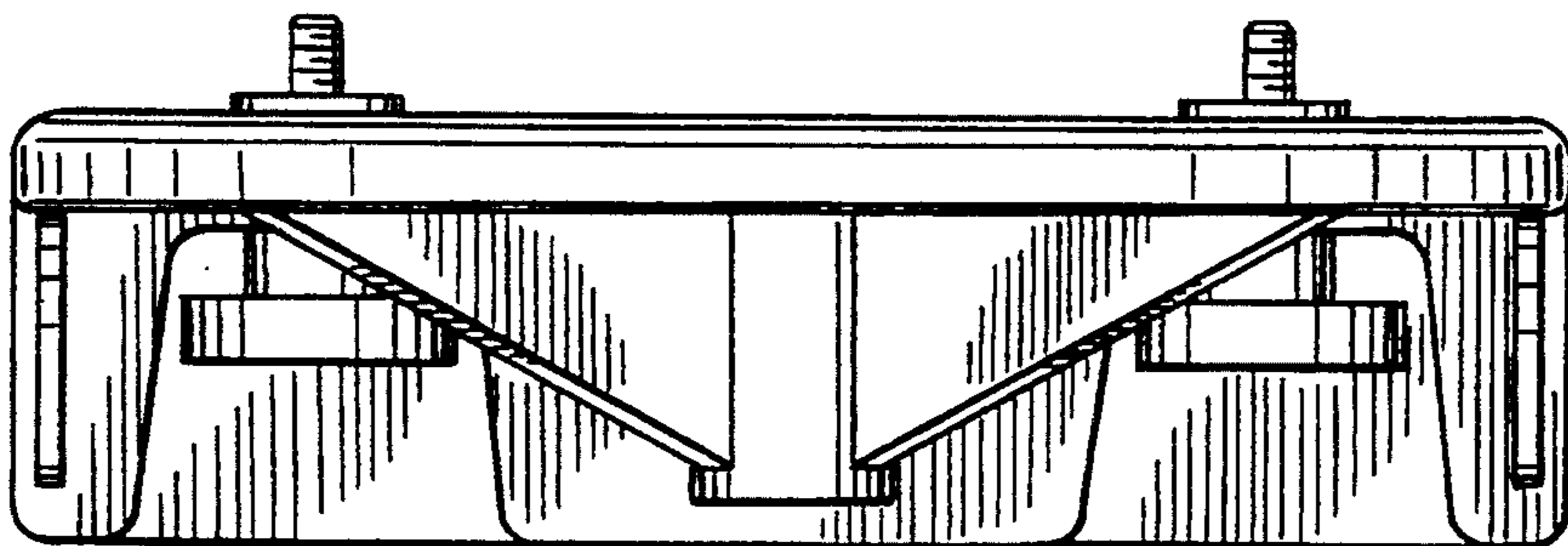


FIG. 3

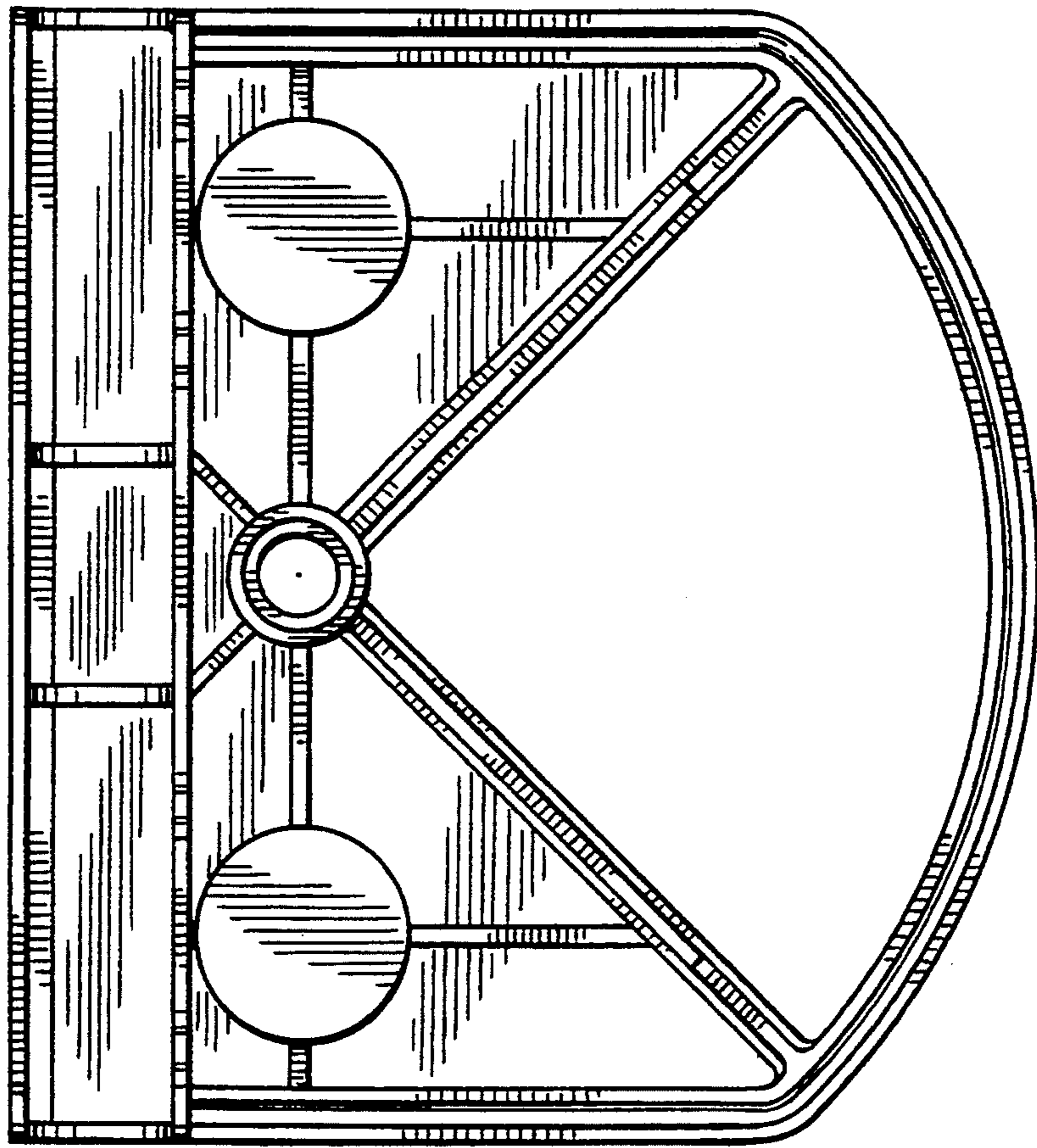


FIG. 4

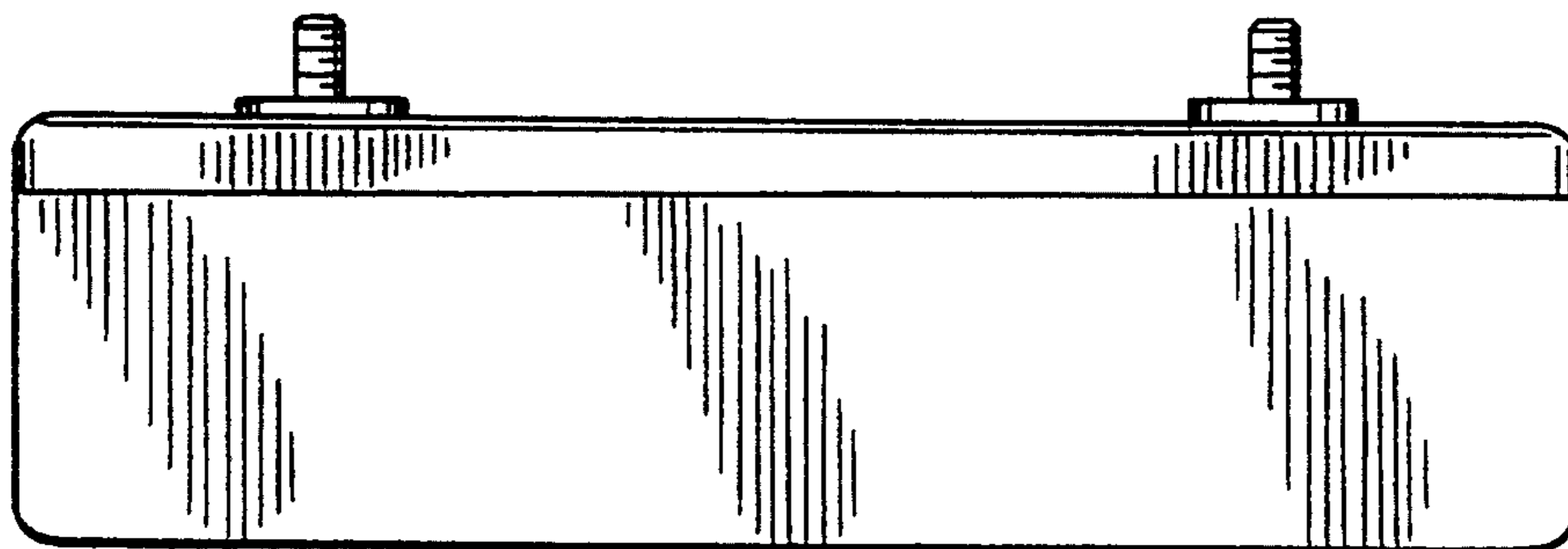


FIG. 5