



US00D354342S

United States Patent [19]

Marshall-Smith

[11] Patent Number: Des. 354,342

[45] Date of Patent: ** Jan. 10, 1995

[54] DISPOSABLE POTTY LINER

[76] Inventor: Carol J. Marshall-Smith, 4775
Apartment Blvd., #G-12, N.
Charleston, S.C. 29418

[**] Term: 14 Years

[21] Appl. No.: 3,139

[22] Filed: Dec. 29, 1992

[52] U.S. Cl. D23/309

[58] Field of Search D23/309, 311; D24/123;
4/450, 452, 456, 457

4,827,540 5/1989 Stokes .
4,833,742 5/1989 Kuhn .
4,899,399 2/1990 Young 4/450 X

Primary Examiner—A. Hugo Word
Assistant Examiner—Eric M. Watterson
Attorney, Agent, or Firm—Richard C. Litman

[57] CLAIM

The ornamental design for a disposable potty liner, as shown and described.

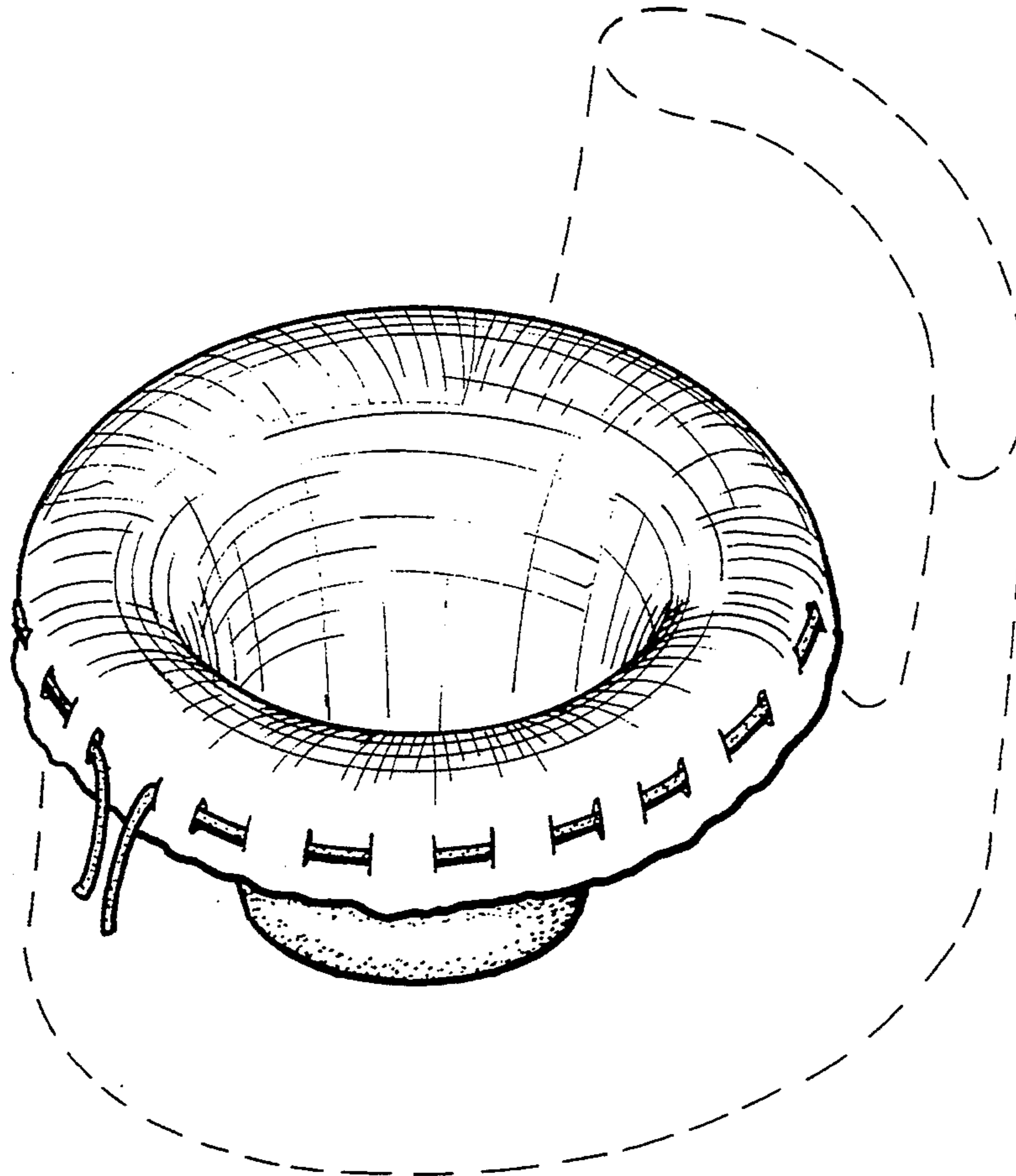
DESCRIPTION

FIG. 1 is an environmental perspective view of a disposable potty liner showing my new design; FIG. 2 is a front elevational view thereof; FIG. 3 is a rear elevational view thereof; FIG. 4 is a top view thereof; FIG. 5 is a right side elevational view, with the left side elevational view being a mirror image thereof; and, FIG. 6 is a bottom view thereof. The broken line showing of a child's potty chair is for illustrative purposes only and forms no part of the claimed design.

[56] References Cited

U.S. PATENT DOCUMENTS

D. 261,429	10/1981	Hanna-Burns .	
3,061,840	11/1962	Presseisen	4/456 X
3,377,631	4/1968	Whitney	4/452 X
3,546,716	12/1970	Laumann	4/452
4,011,606	3/1977	Scrafield et al.	4/457
4,343,053	8/1982	O'Connor .	
4,509,215	4/1985	Paz .	



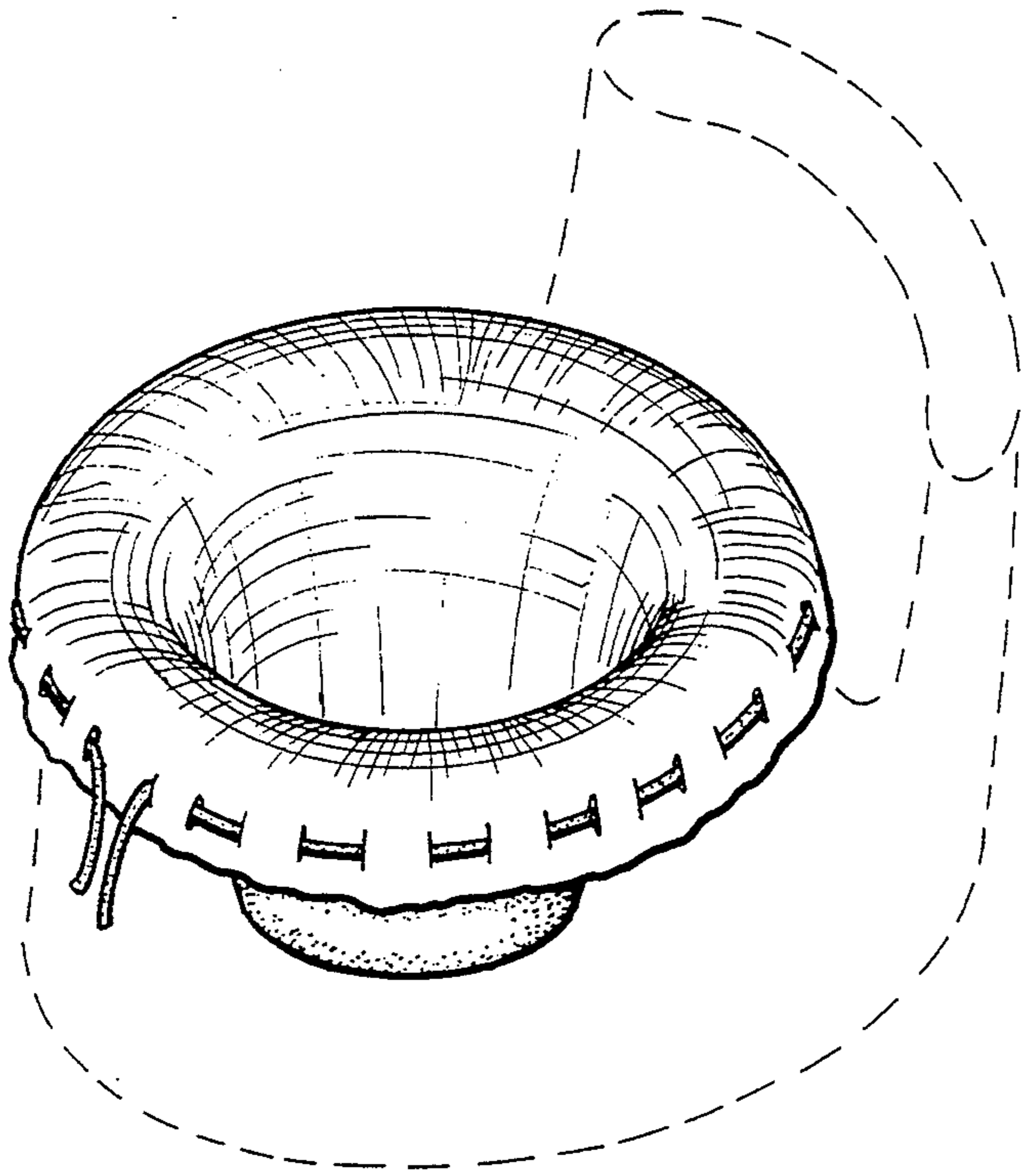


FIG. 1

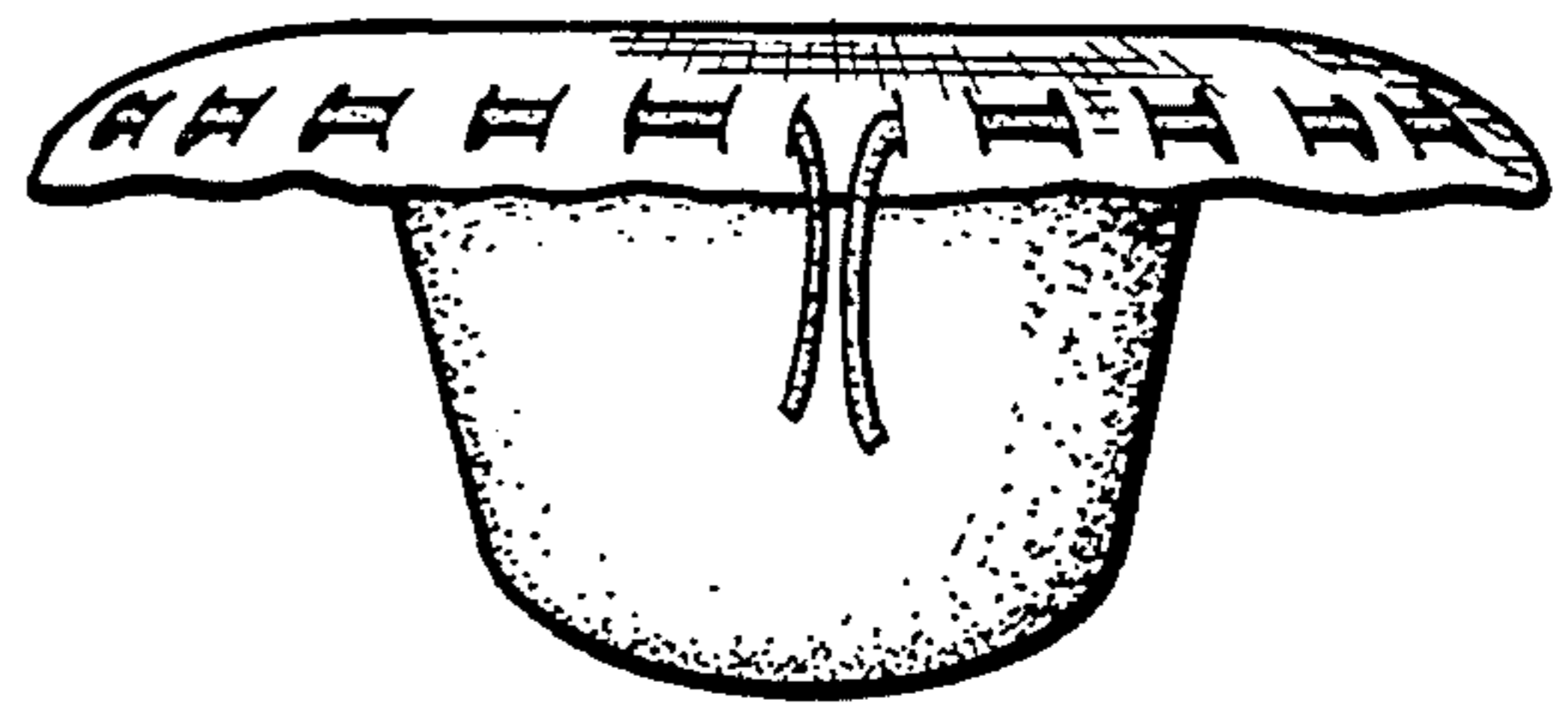


FIG. 2

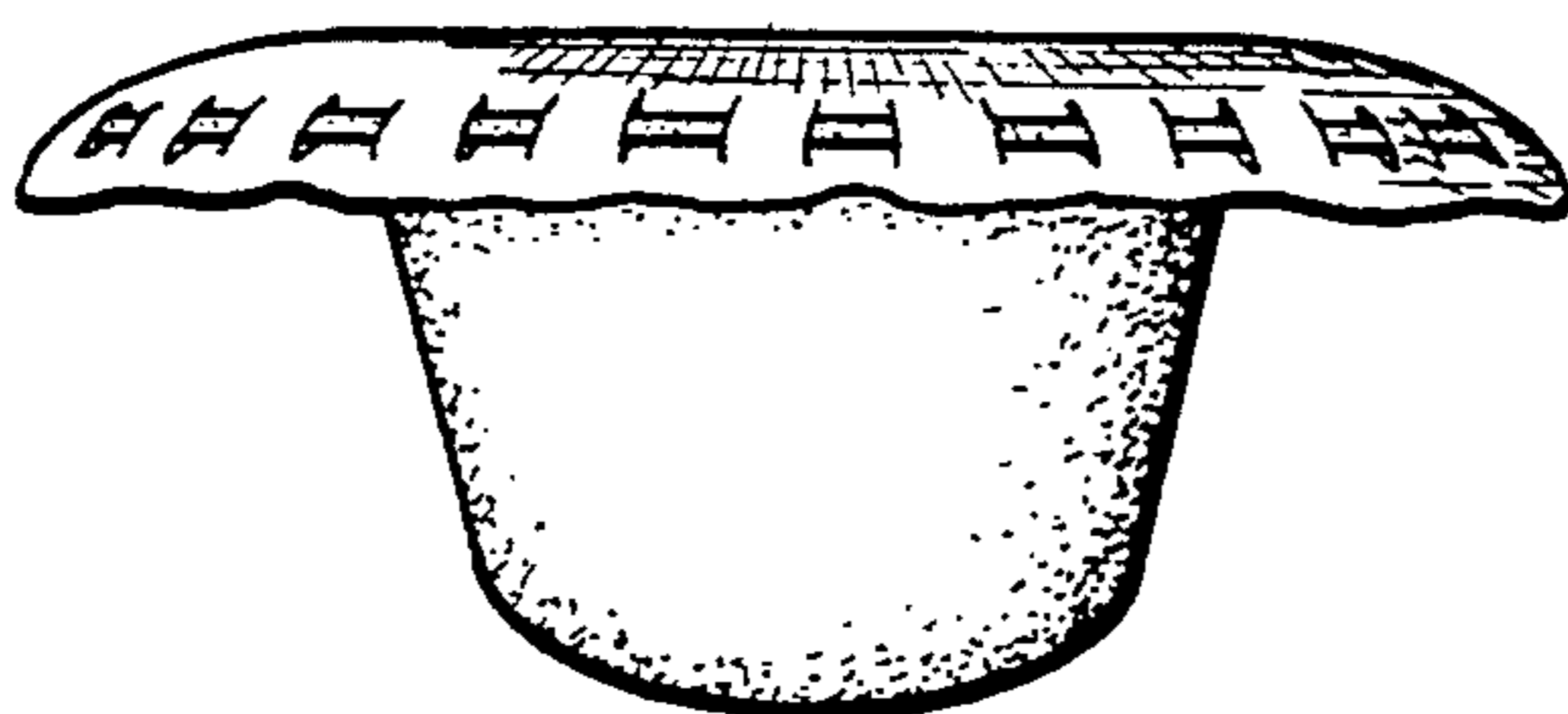


FIG. 3

FIG. 6

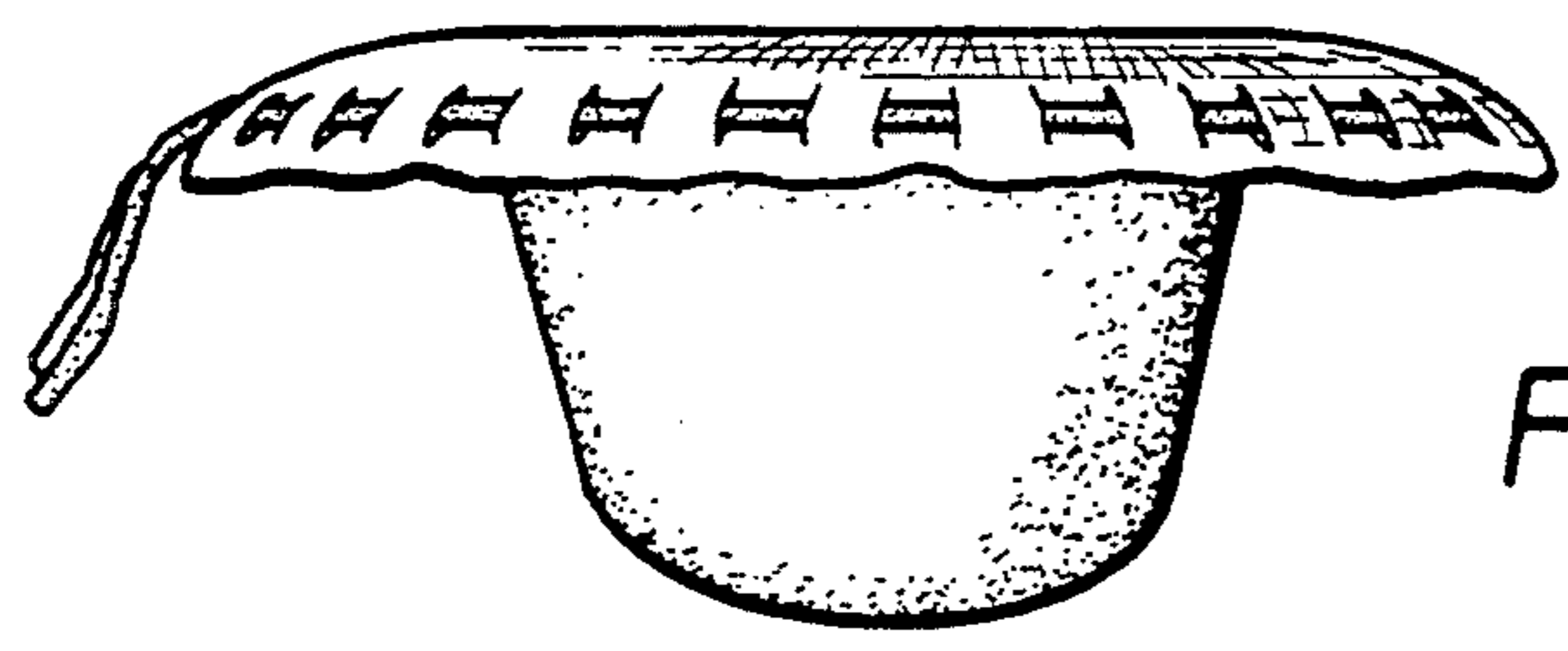
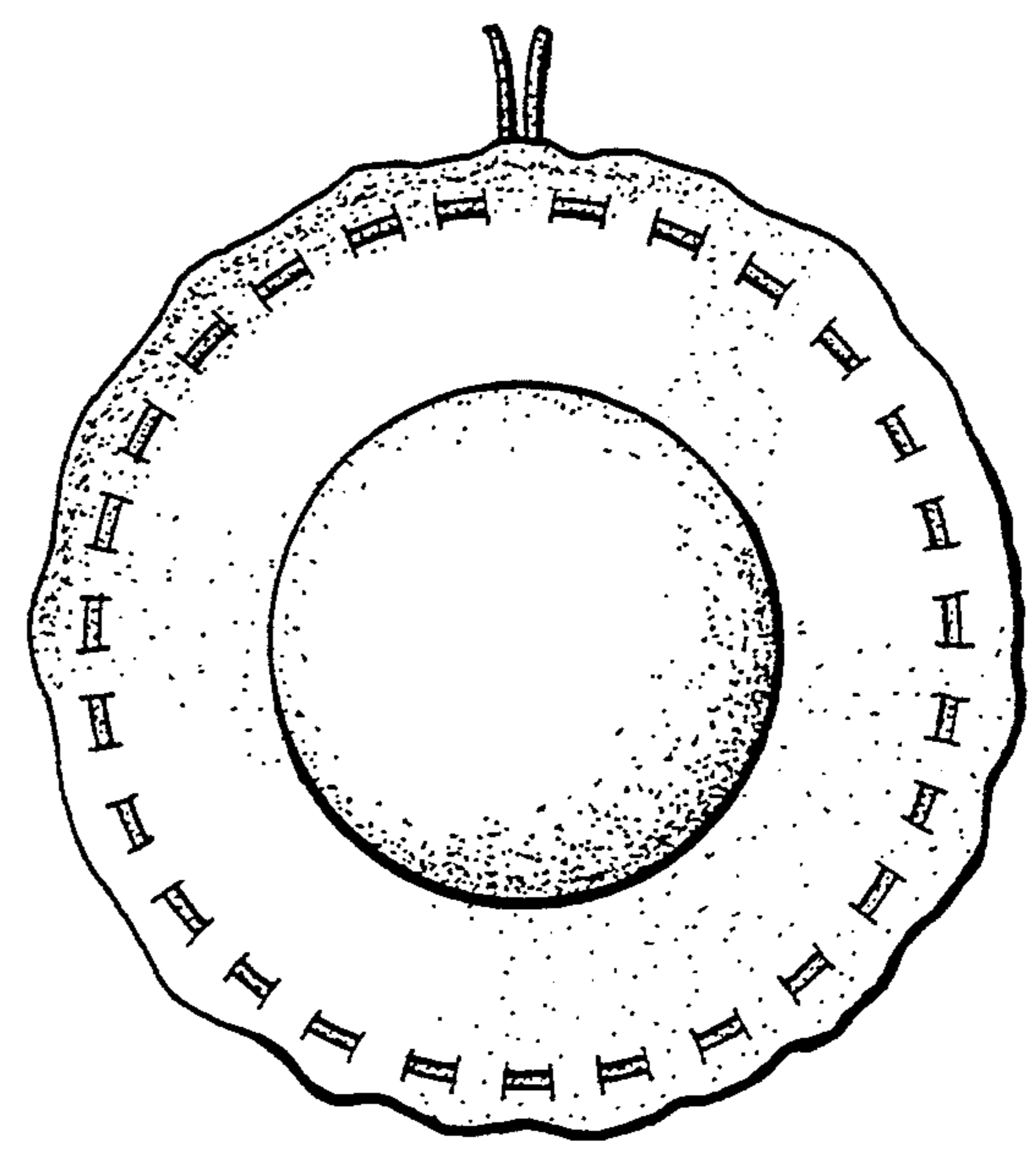


FIG. 5

FIG. 4

