



US00D354338S

United States Patent [19] Formgren

[11] Patent Number: **Des. 354,338**
[45] Date of Patent: **** Jan. 10, 1995**

[54] FAUCET
[75] Inventor: **Anna-Pia K. Formgren, Paris, France**
[73] Assignee: **Jacob Delafon, Paris, France**
[**] Term: **14 Years**
[21] Appl. No.: **15,077**
[22] Filed: **Nov. 5, 1993**
[52] U.S. Cl. **D23/241**
[58] Field of Search **D23/238-243,
D23/255-257; 4/675-678; 137/801**

[56] **References Cited**

U.S. PATENT DOCUMENTS

D. 250,272	11/1978	Jones	D23/241
D. 253,906	1/1980	Polani	D23/243
D. 281,097	10/1985	Arnold	D23/241
D. 282,197	1/1986	Hu	D23/241
D. 284,302	6/1986	Hamarstedt	D23/241
D. 313,837	1/1991	Heieck	D23/241
D. 314,041	1/1991	Knapp	D23/241
D. 314,812	2/1991	Jans	D23/241
D. 317,041	5/1991	Knapp	D23/241
D. 339,411	9/1993	Gottwald	D23/241
4,141,383	2/1979	Geimer	137/606
4,573,493	3/1986	Hammerstedt	137/606

OTHER PUBLICATIONS

Undated Ideal-Standard ad showing a bidet faucet mounted on a Linda bidet, admitted prior art.

Undated Jacob Delafon ad showing Model 73265.10 bidet faucet, admitted prior art.
Undated p. 132 of a Jacob Delafon catalog showing Model 7386.441 bidet faucet, admitted prior art.
Undated Jacob Delafon ad showing Model 7386.842 bidet faucet, admitted prior art.
P. 113 dated Jan. 1984 of an Ideal-Standard catalog showing a Jetline monoblock bidet faucet.
Undated p. 3 of a U.S. Brass catalog showing a Cheswick bidet faucet, admitted prior art.
Undated p. 90 of an Ideal-Standard catalog showing a Monolux bidet faucet, admitted prior art.
Undated Ideal-Standard ad showing a bidet faucet mounted on a Tulip bidet, admitted prior art.

Primary Examiner—James R. Largen
Attorney, Agent, or Firm—Quarles & Brady

[57] **CLAIM**

The ornamental design for a faucet, as shown and described.

DESCRIPTION

FIG. 1 is a perspective view taken from the top, front and left side of a faucet embodying my new design; FIG. 2 is a right side elevational view thereof, the left side being the mirror image of the right side; FIG. 3 is a front elevational view thereof; FIG. 4 is a top plan view; FIG. 5 is a rear elevational view thereof; and, FIG. 6 is a bottom plan view thereof.



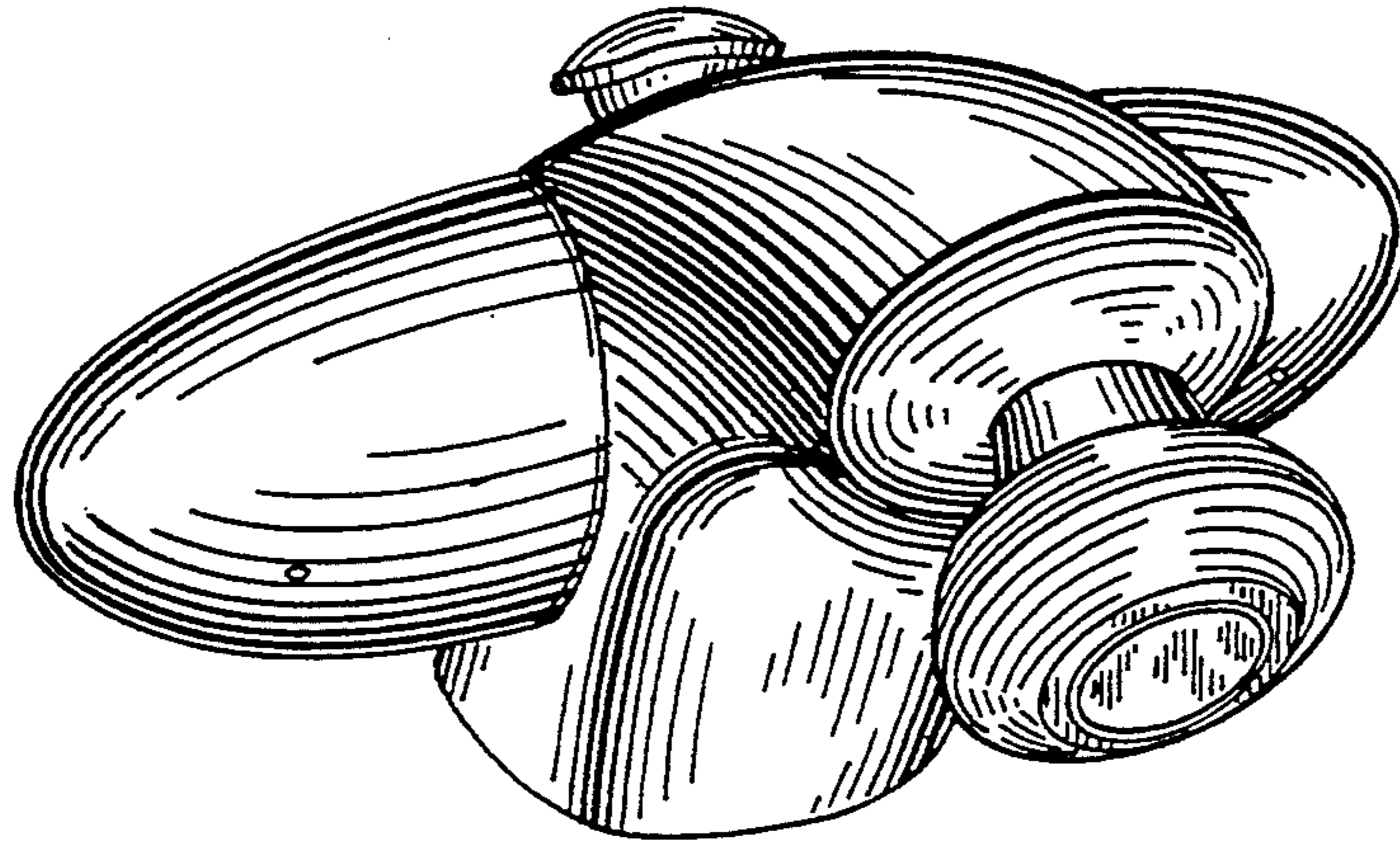


FIG. 1

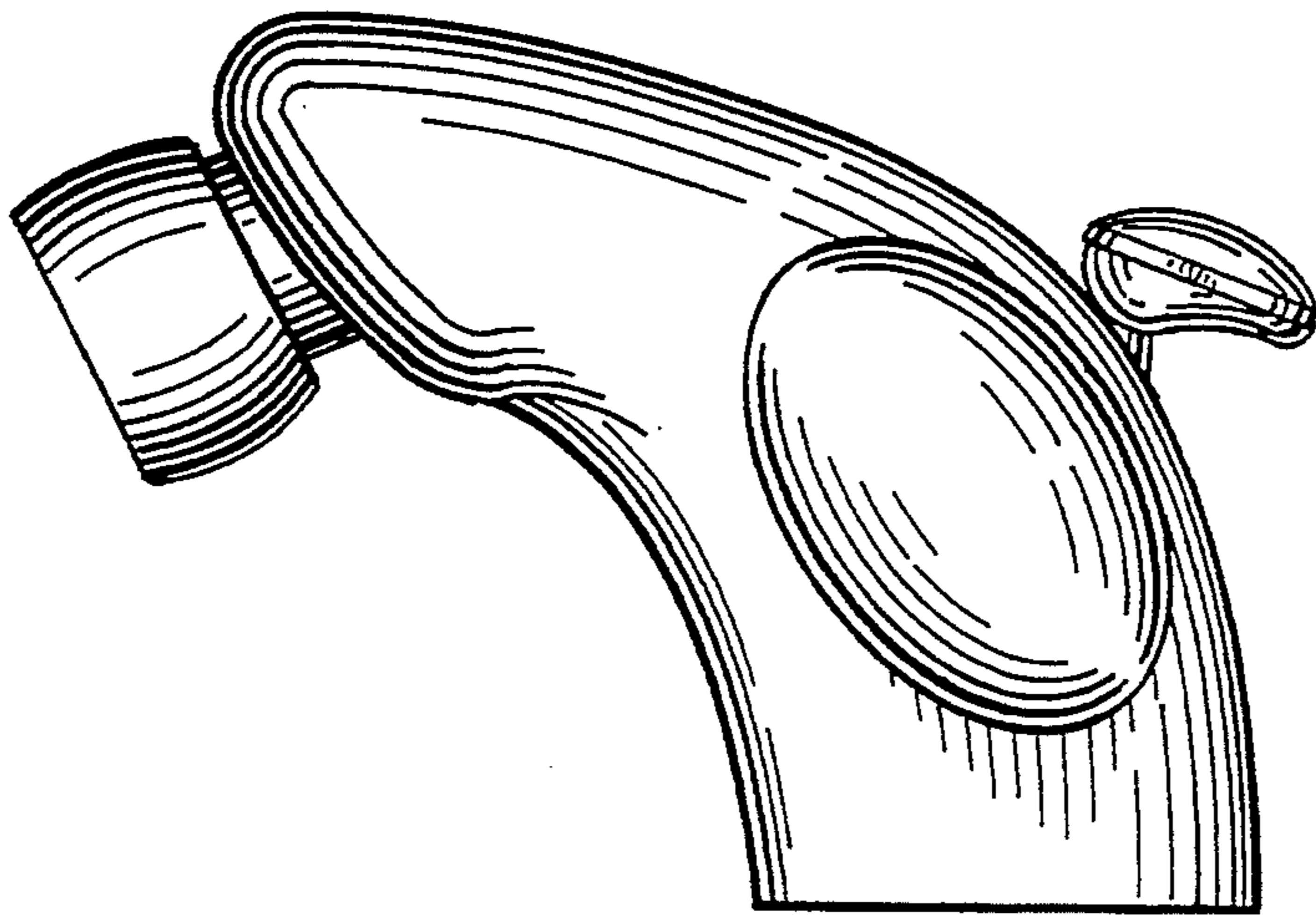


FIG. 2

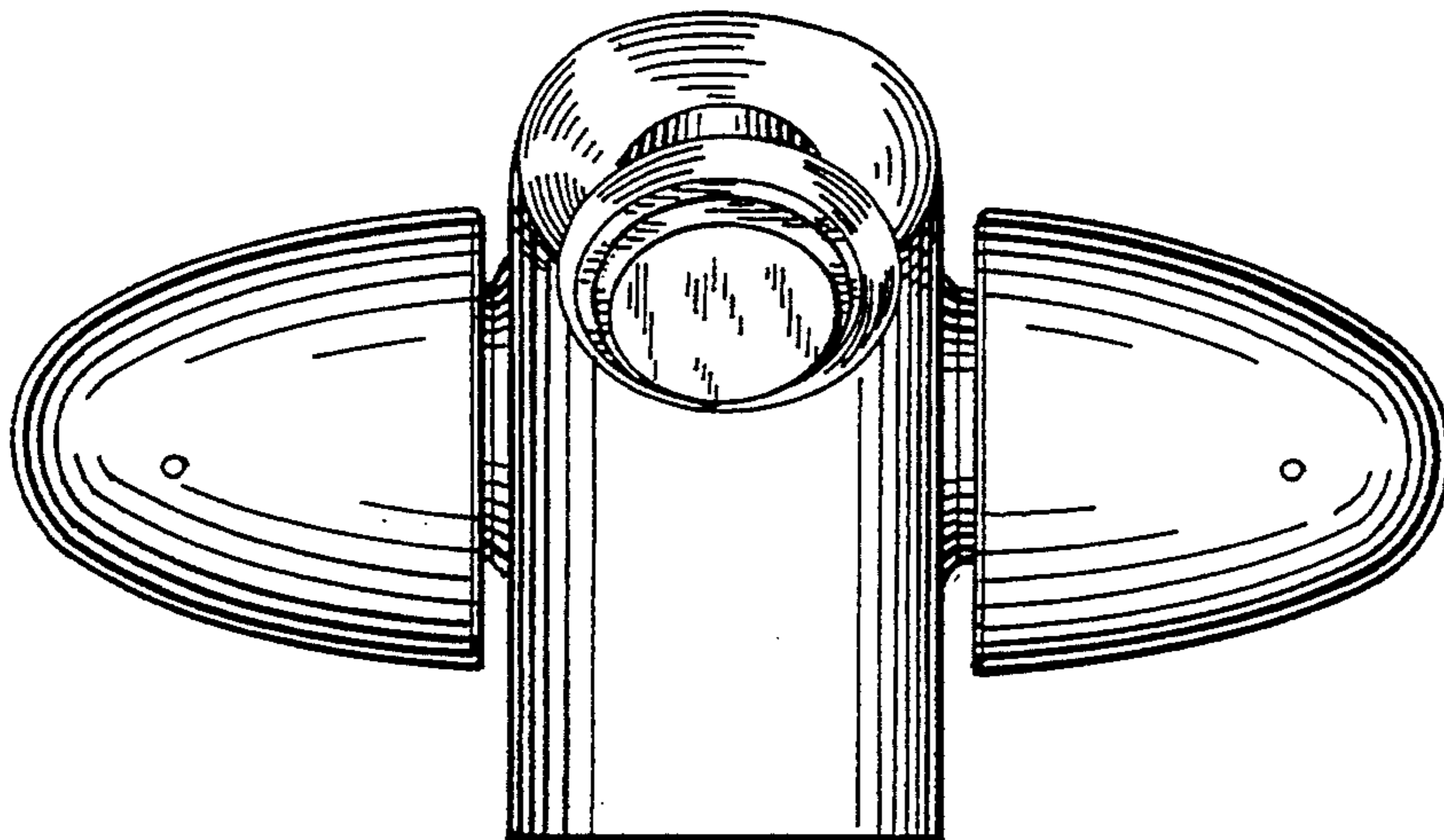


FIG. 3

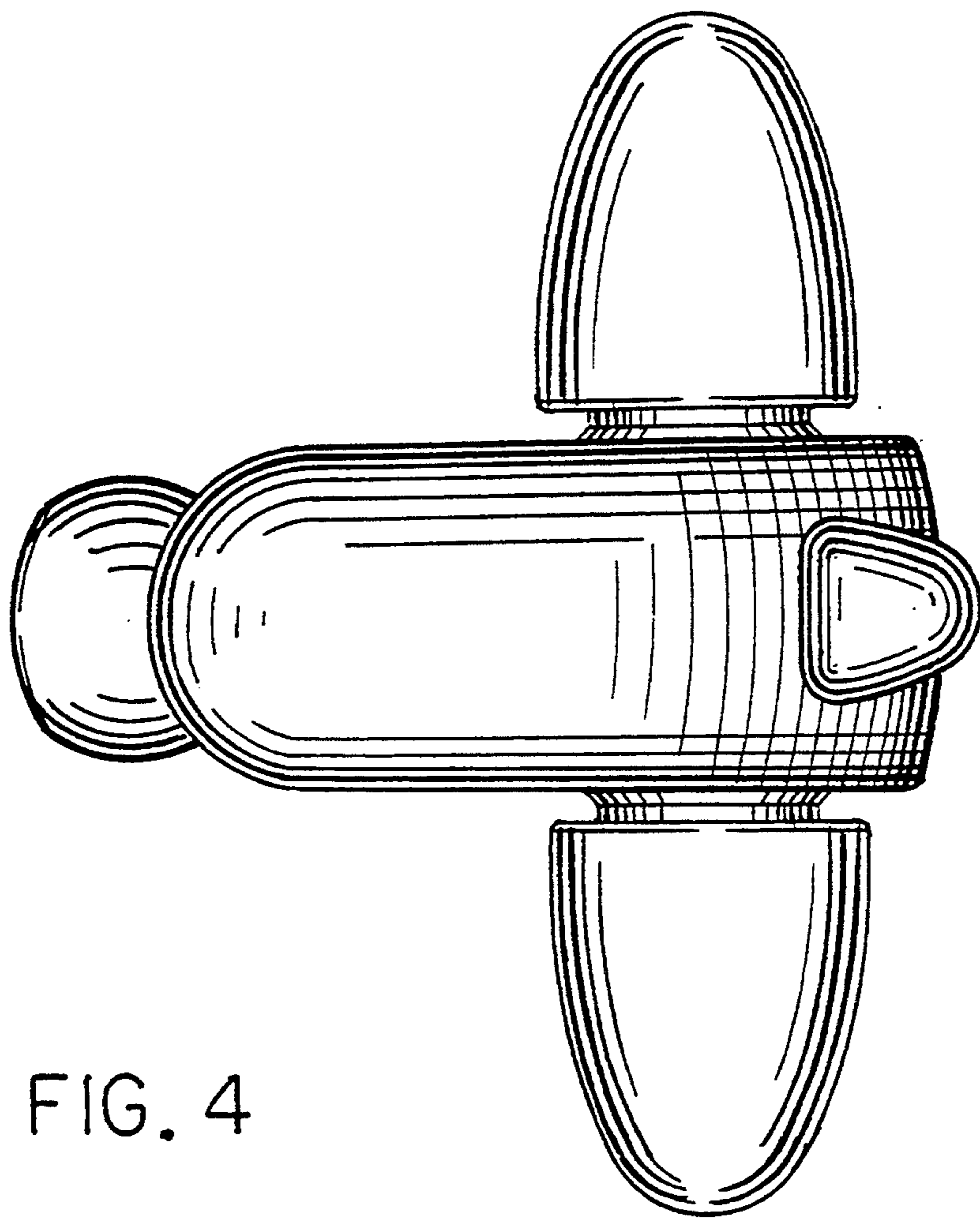


FIG. 4

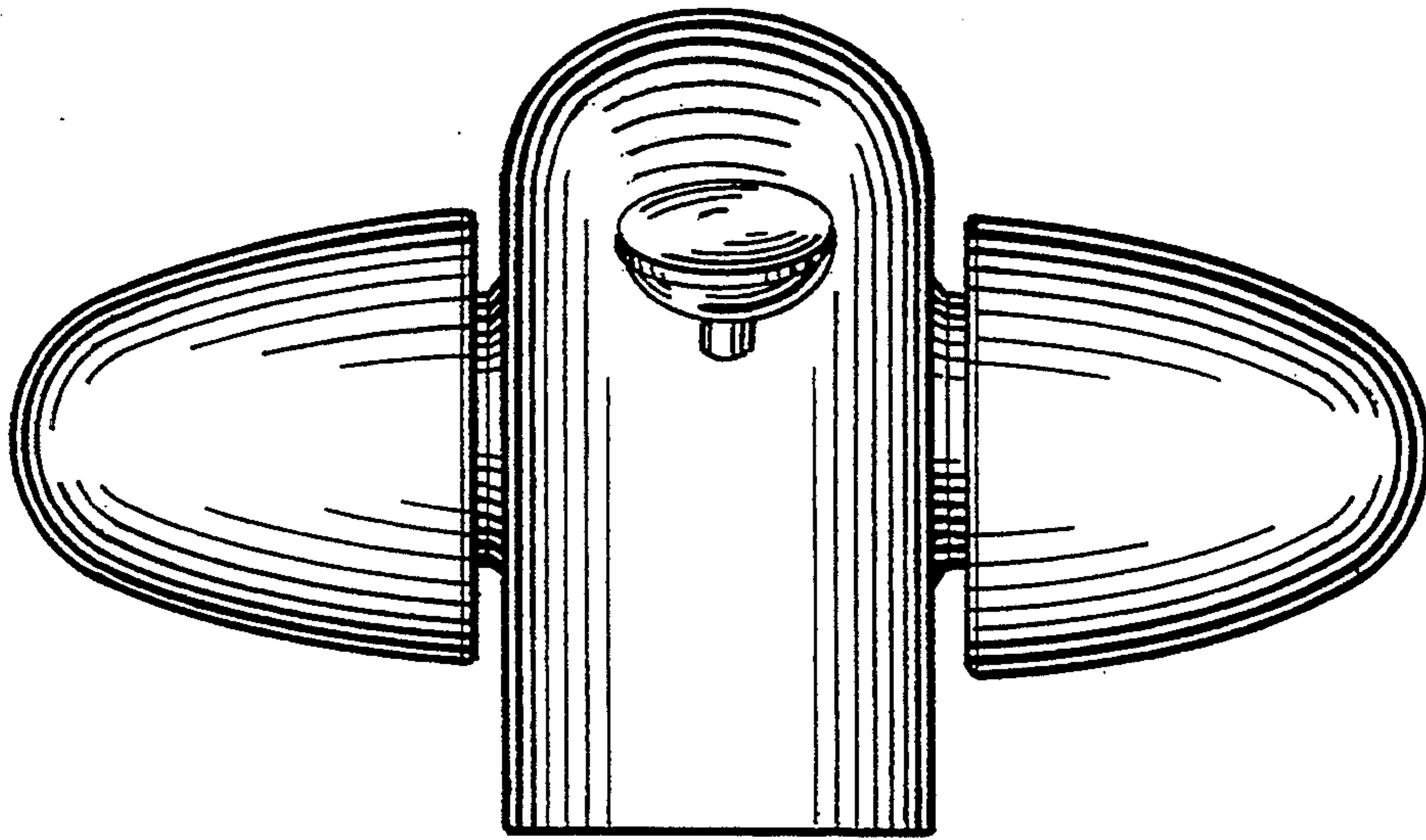


FIG. 5

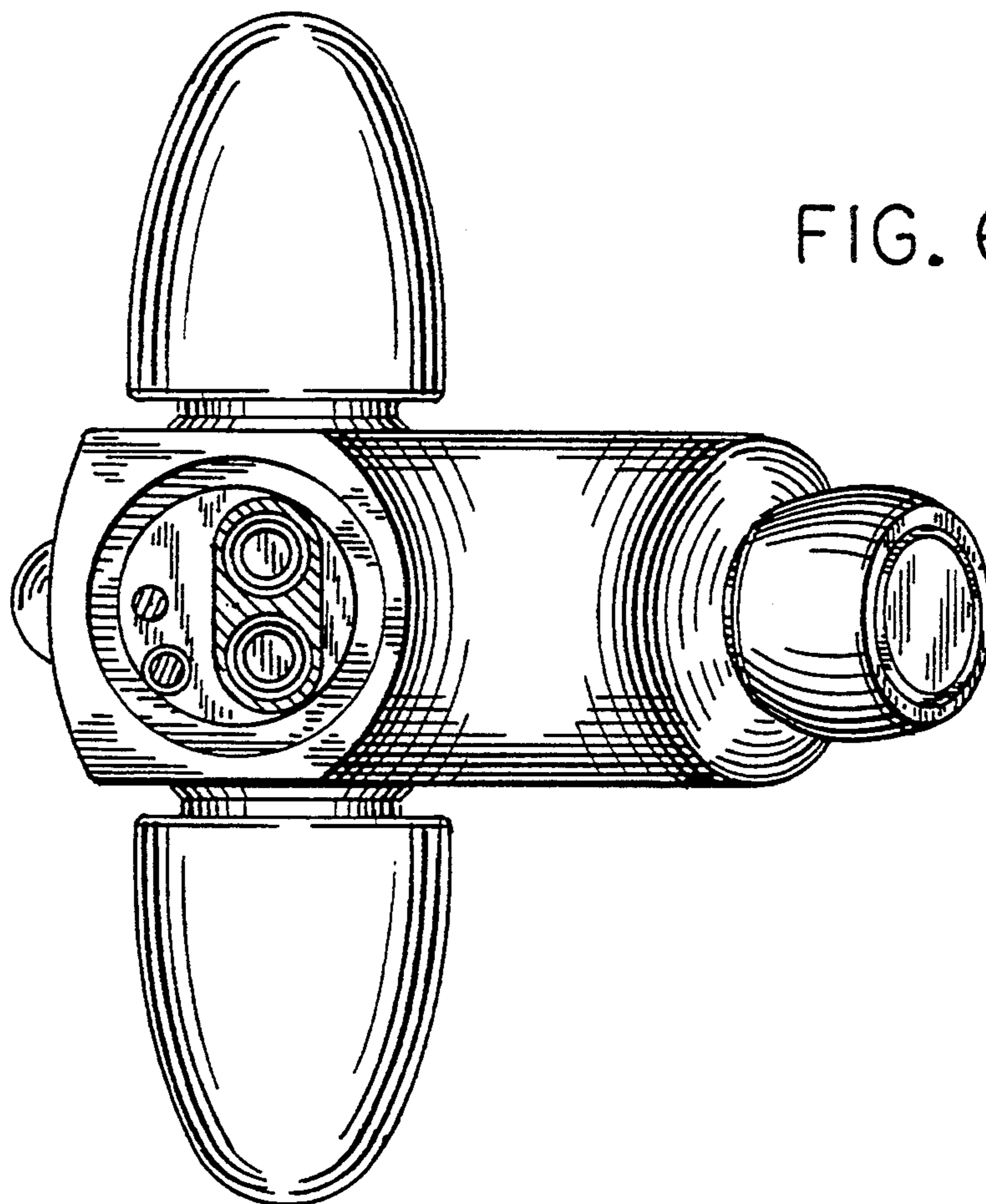


FIG. 6