



US00D354337S

# United States Patent [19]

Formgren

[11] Patent Number: **Des. 354,337**

[45] Date of Patent: **\*\* Jan. 10, 1995**

- [54] FAUCET
- [75] Inventor: **Anna-Pia K. Formgren**, Paris, France
- [73] Assignee: **Jacob Delafon**, Paris, France
- [\*\*] Term: **14 Years**
- [21] Appl. No.: **15,063**
- [22] Filed: **Nov. 5, 1993**
- [52] U.S. Cl. .... **D23/241**
- [58] Field of Search ..... **D23/238-243, D23/255-257; 4/675-678; 137/801**

### [56] References Cited

#### U.S. PATENT DOCUMENTS

- D. 250,272 11/1978 Jones ..... D23/241
- D. 253,906 1/1980 Colani ..... D23/243
- D. 281,097 10/1985 Arnold et al. .... D23/241
- D. 282,197 1/1986 Hu ..... D23/241
- D. 284,302 6/1986 Hammarstedt ..... D23/241
- D. 313,837 1/1991 Heieck ..... D23/241
- D. 314,041 1/1991 Knapp ..... D23/241
- D. 314,812 2/1991 Jans ..... D23/241
- D. 317,041 5/1991 Knapp ..... D23/241
- D. 339,411 9/1993 Gottwald ..... D23/241

#### FOREIGN PATENT DOCUMENTS

- 2064045 6/1981 United Kingdom ..... 4/678

#### OTHER PUBLICATIONS

Undated Jacob Delafon ad showing a Model 72255.25 faucet, admitted prior art.  
 Undated p. 6.15 of an Eljer catalog showing Models 553-4070 and 553-4370 lavatory faucets, admitted prior art.

Undated Jacob Delafon ad showing Models 72425.10 and 72426.10 faucets, admitted prior art.  
 Undated p. 6.36 of an Eljer catalog showing Models 516-0550 and 516-0504 Roman tub faucets, admitted prior art.  
 Undated p. 3-38 of a Kohler Co. catalog showing Model K-11810-R faucet, admitted prior art.

Primary Examiner—James R. Largen  
 Attorney, Agent, or Firm—Quarles & Brady

### [57] CLAIM

The ornamental design for a faucet, as shown and described.

### DESCRIPTION

FIG. 1 is a perspective view taken from the top, front and left side of a faucet embodying my new design; FIG. 2 is a rear elevational view thereof; FIG. 3 is a left side elevational view thereof, the right side being a mirror image of the left side; FIG. 4 is a front elevational view thereof; FIG. 5 is a top plan view thereof; FIG. 6 is a bottom plan view thereof; FIG. 7 is a perspective view taken from the top, front and left side of a second embodiment of my new design; FIG. 8 is a rear elevational view of FIG. 7; FIG. 9 is a left side elevational view of FIG. 7, the right side being a mirror image of the left side; FIG. 10 is a front elevational view of FIG. 7; FIG. 11 is a top plan view of FIG. 7; and, FIG. 12 is a bottom plan view of FIG. 7.  
 The fragmentary broken line representation of an inlet opening in FIG. 6 is for the purpose of illustration only and forms no part of the claimed design.

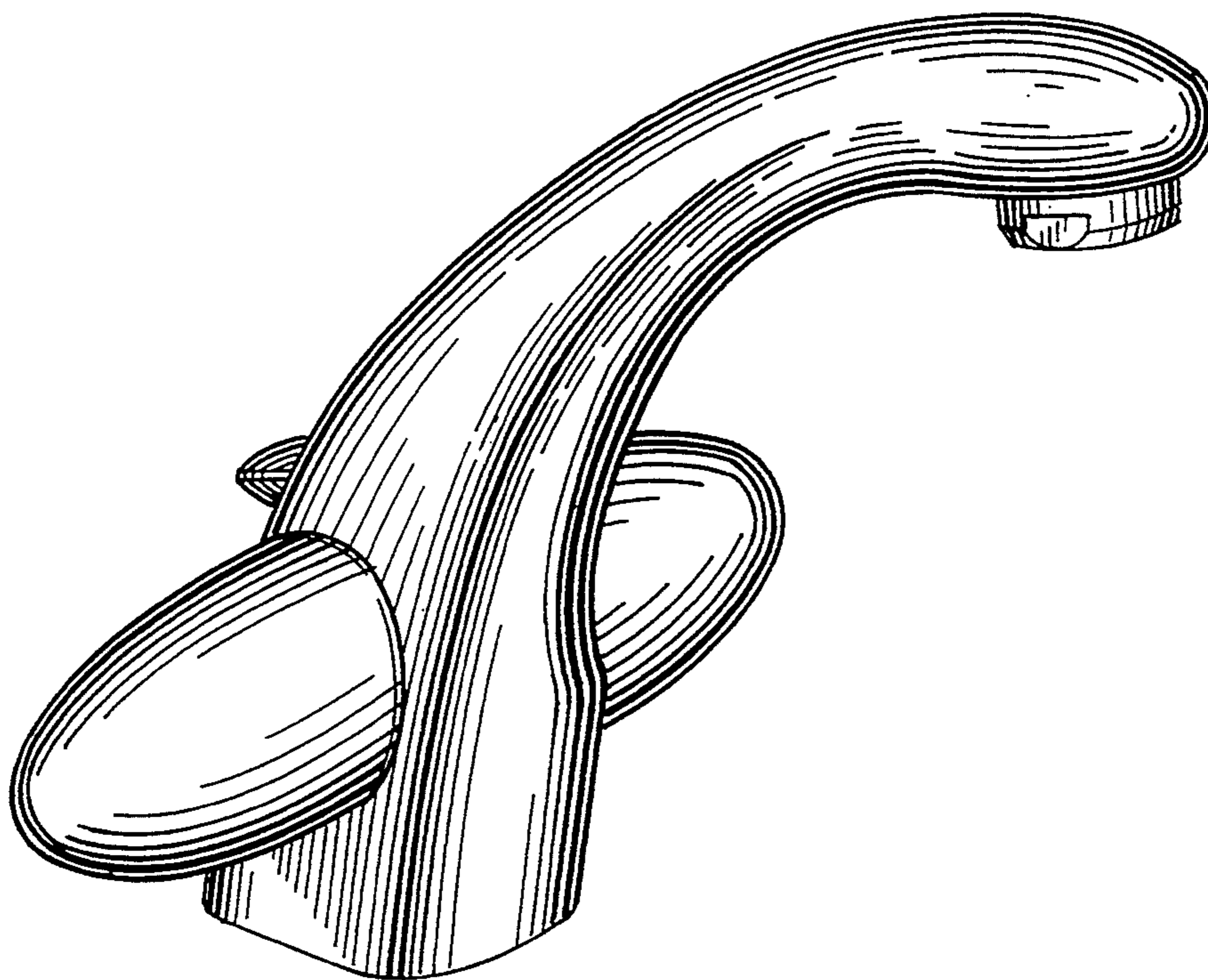


FIG. 1

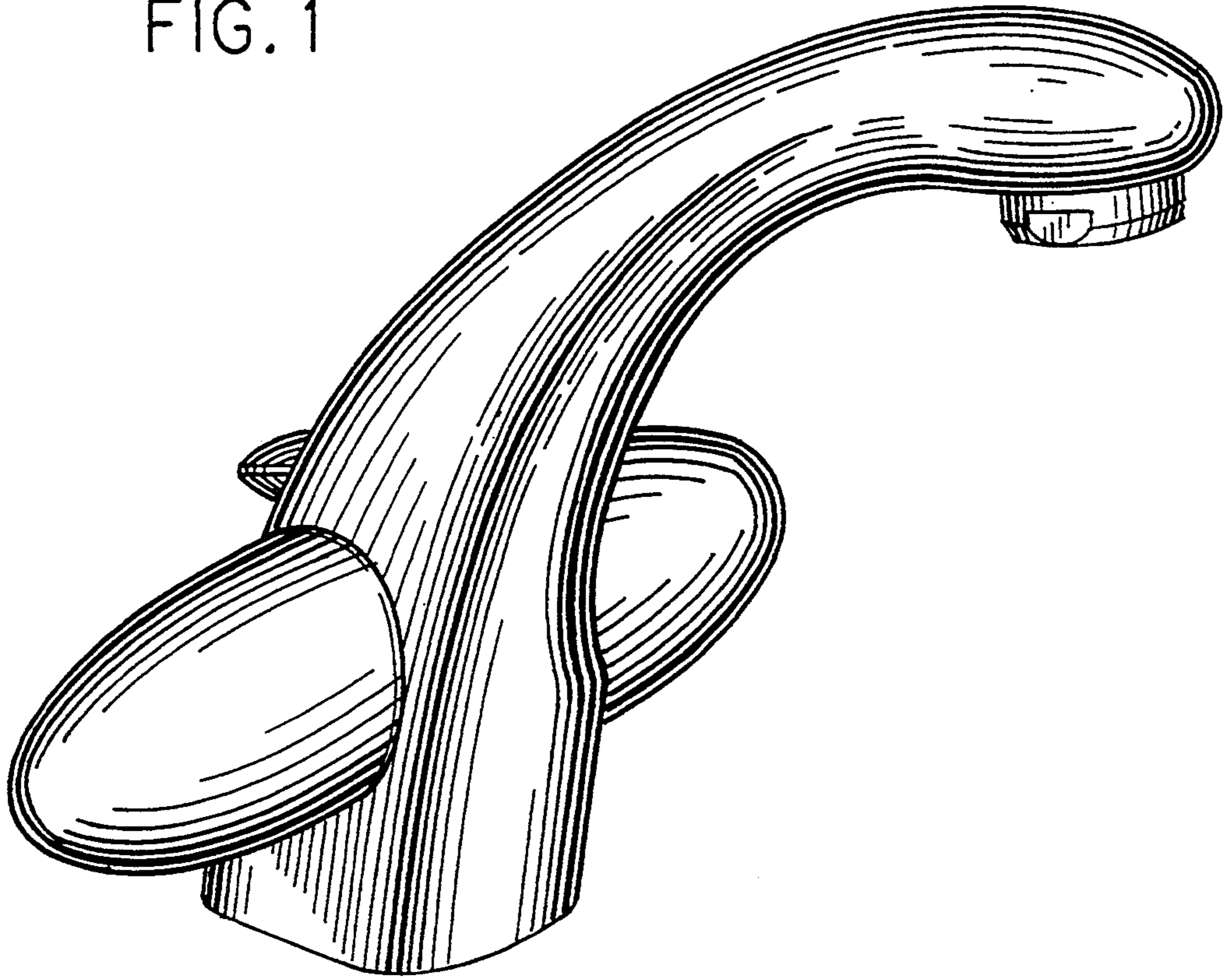


FIG. 2

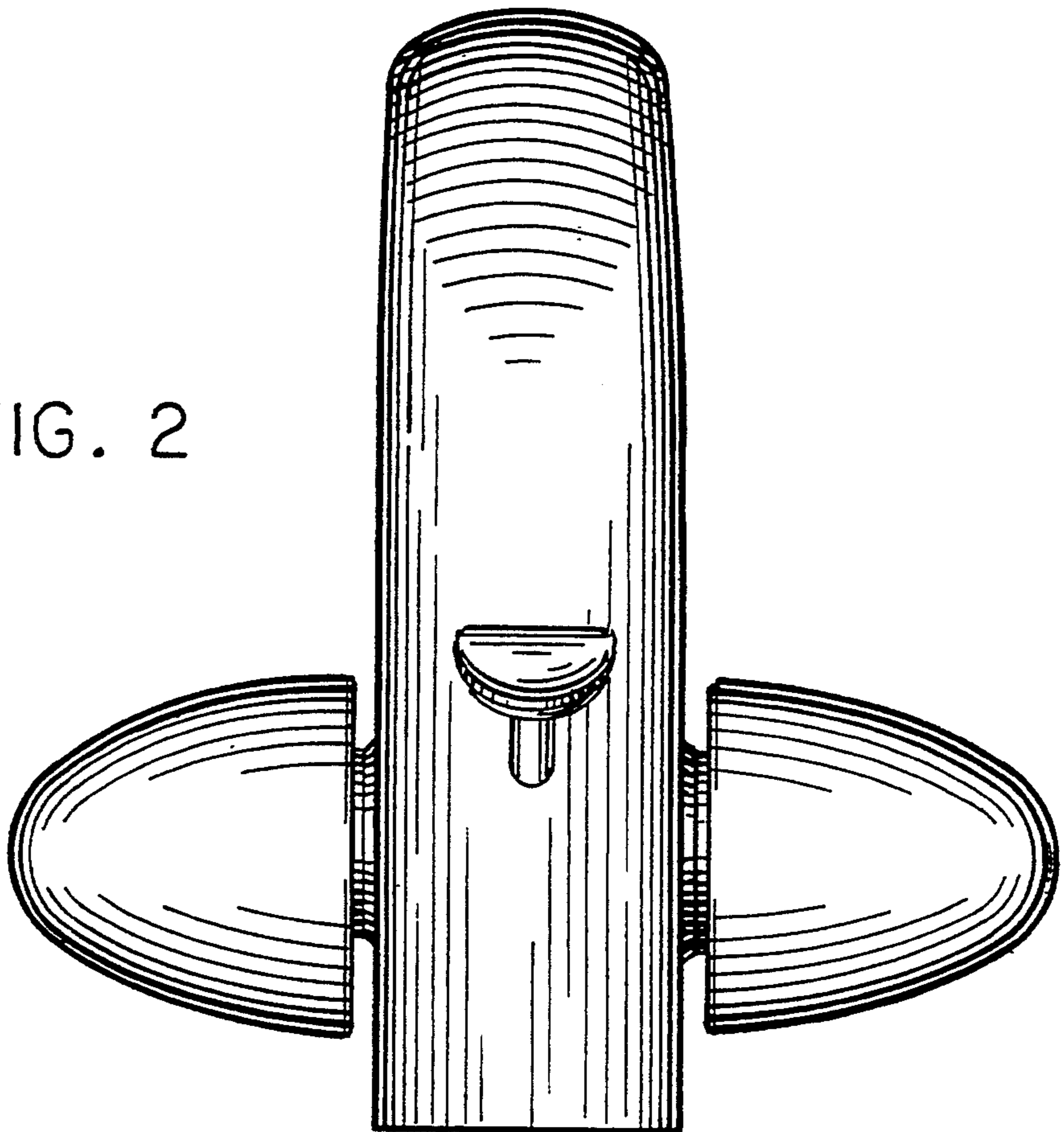


FIG. 3

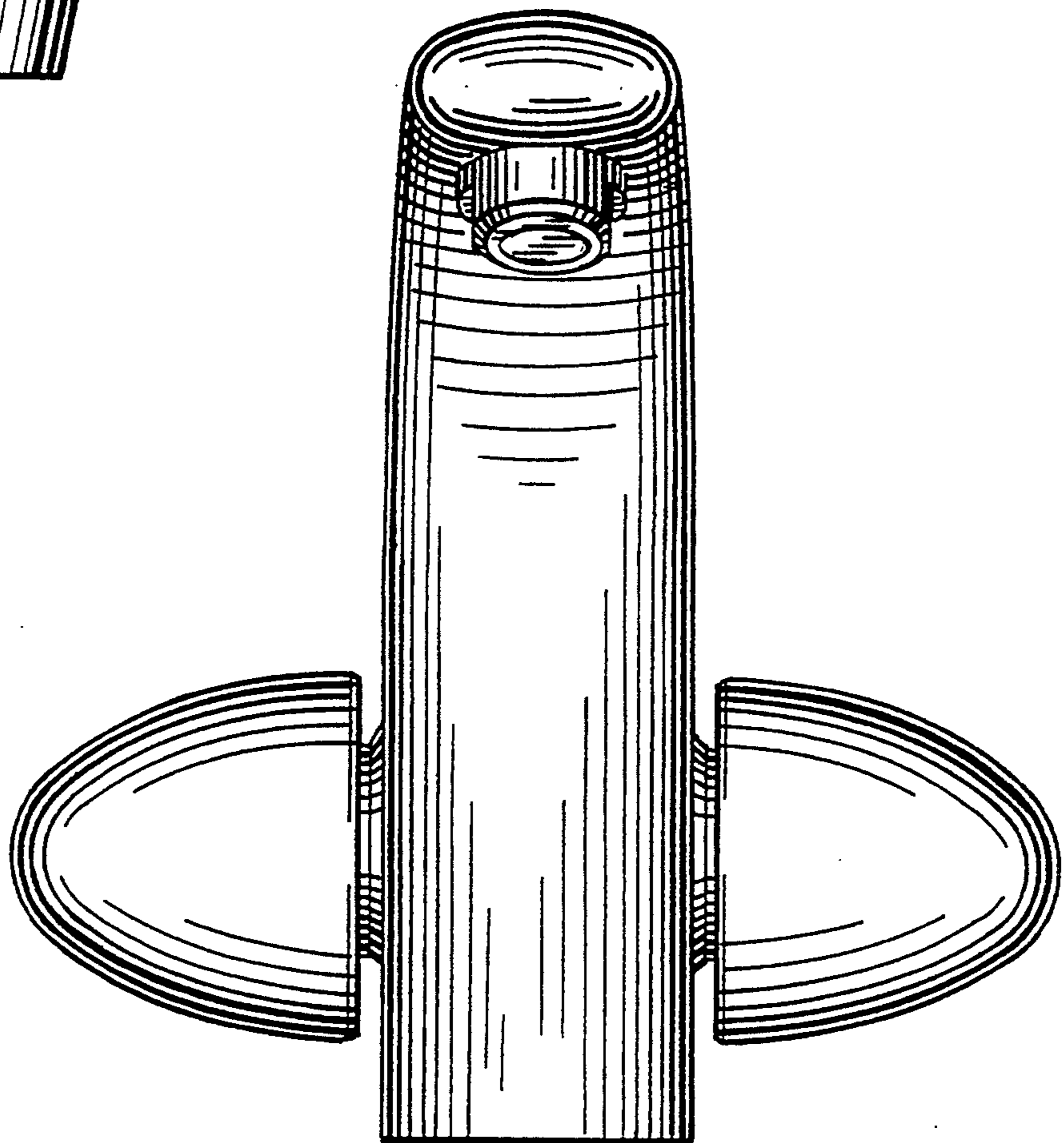
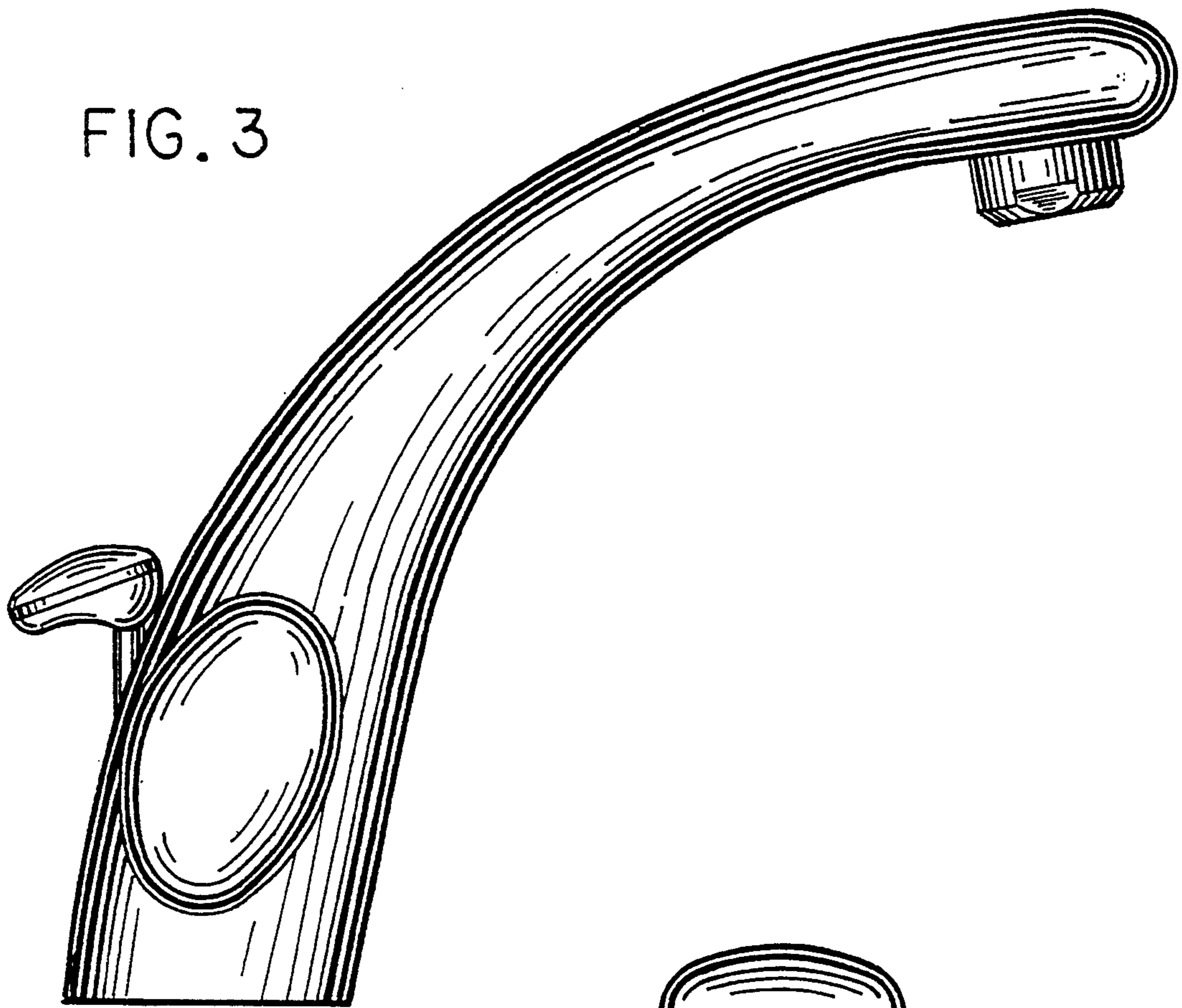


FIG. 4

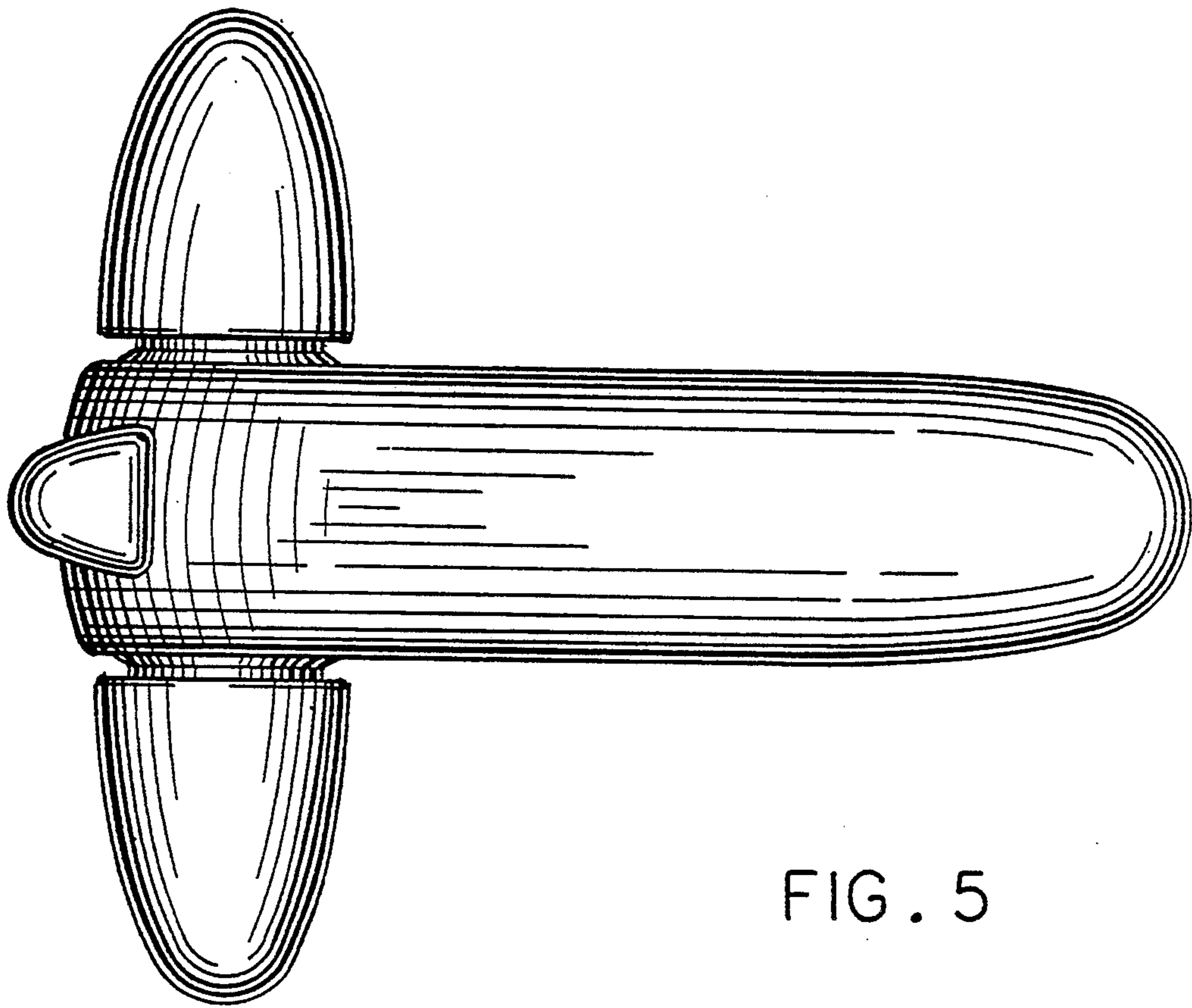


FIG. 5

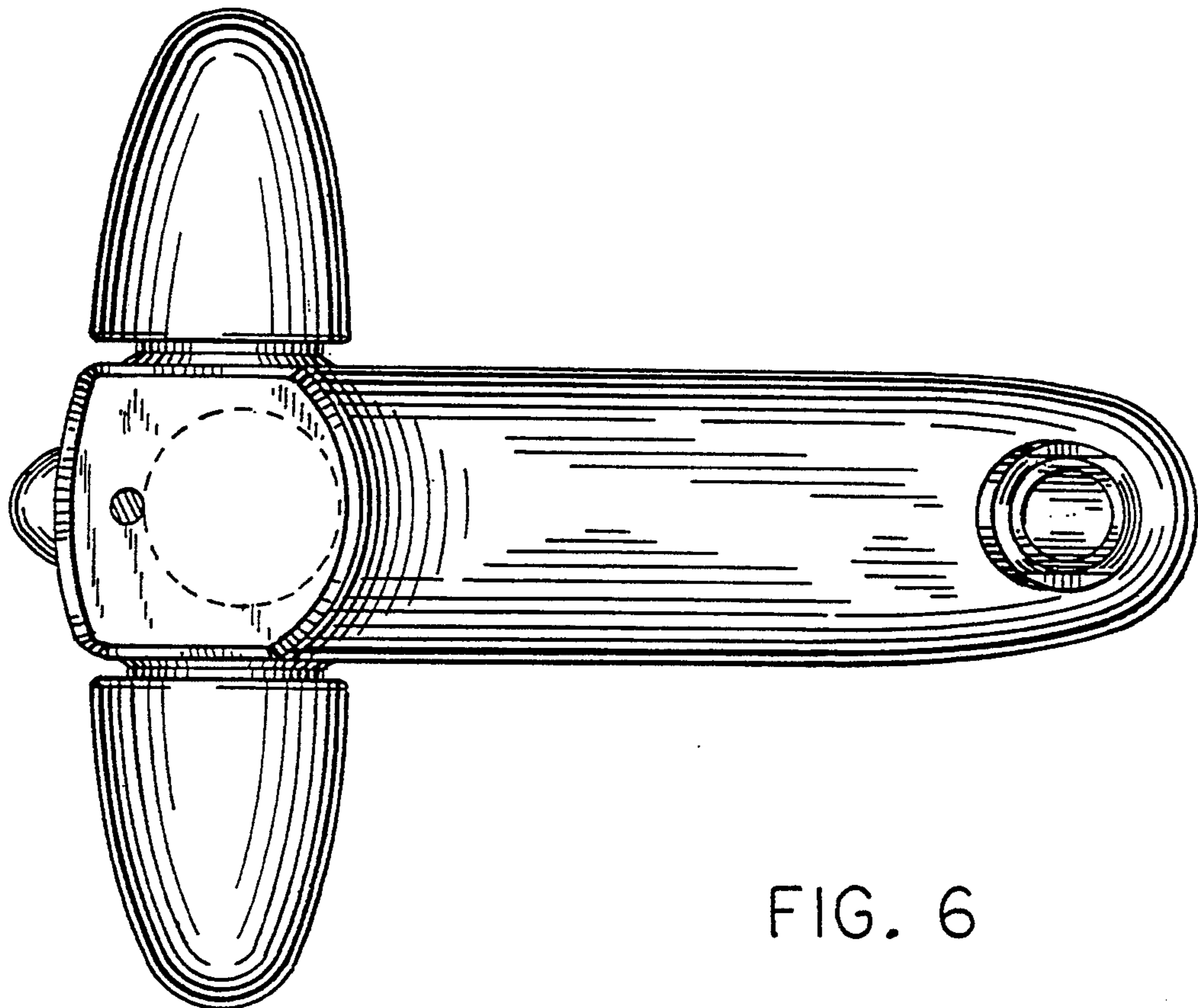


FIG. 6

FIG. 7

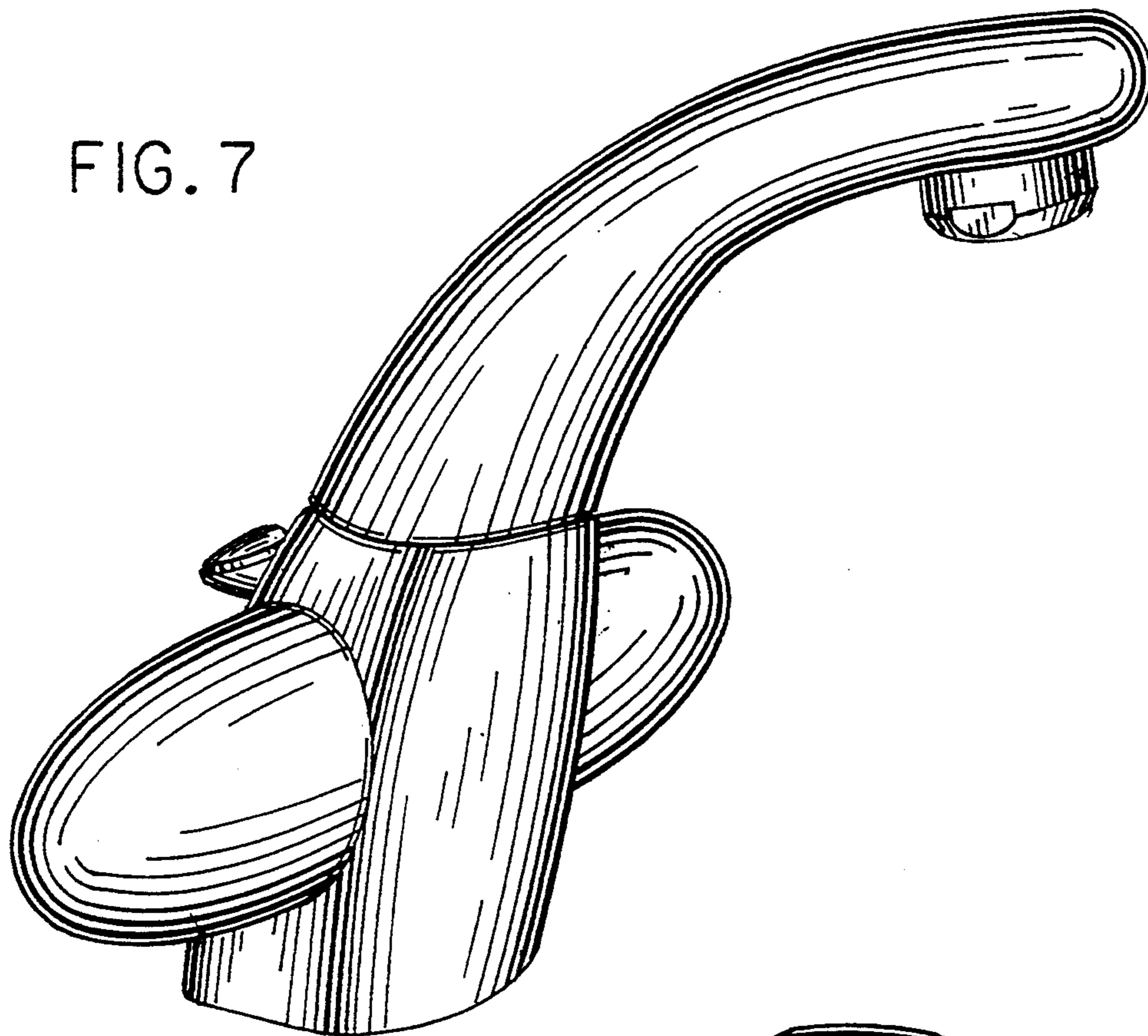


FIG. 8

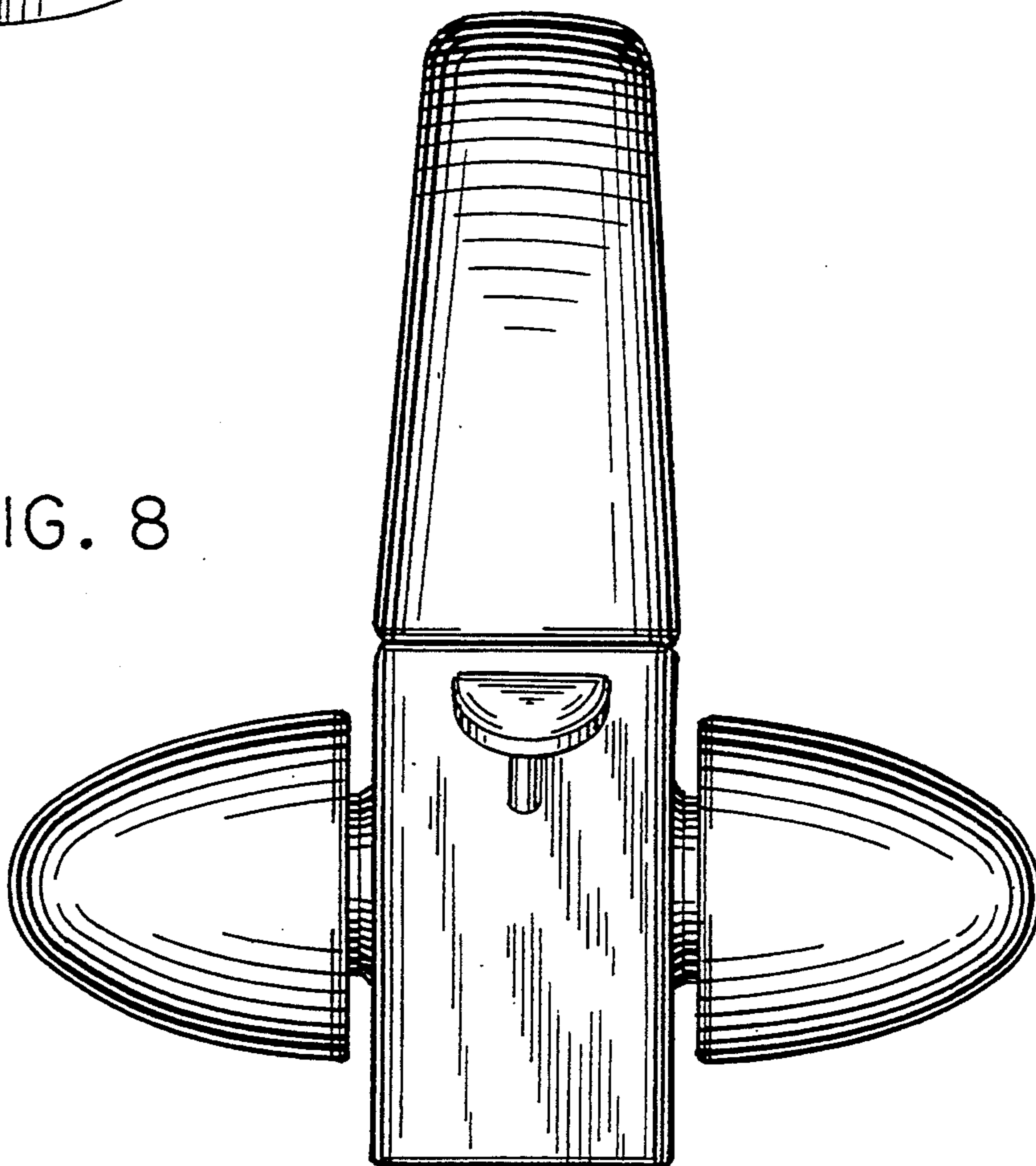


FIG. 9

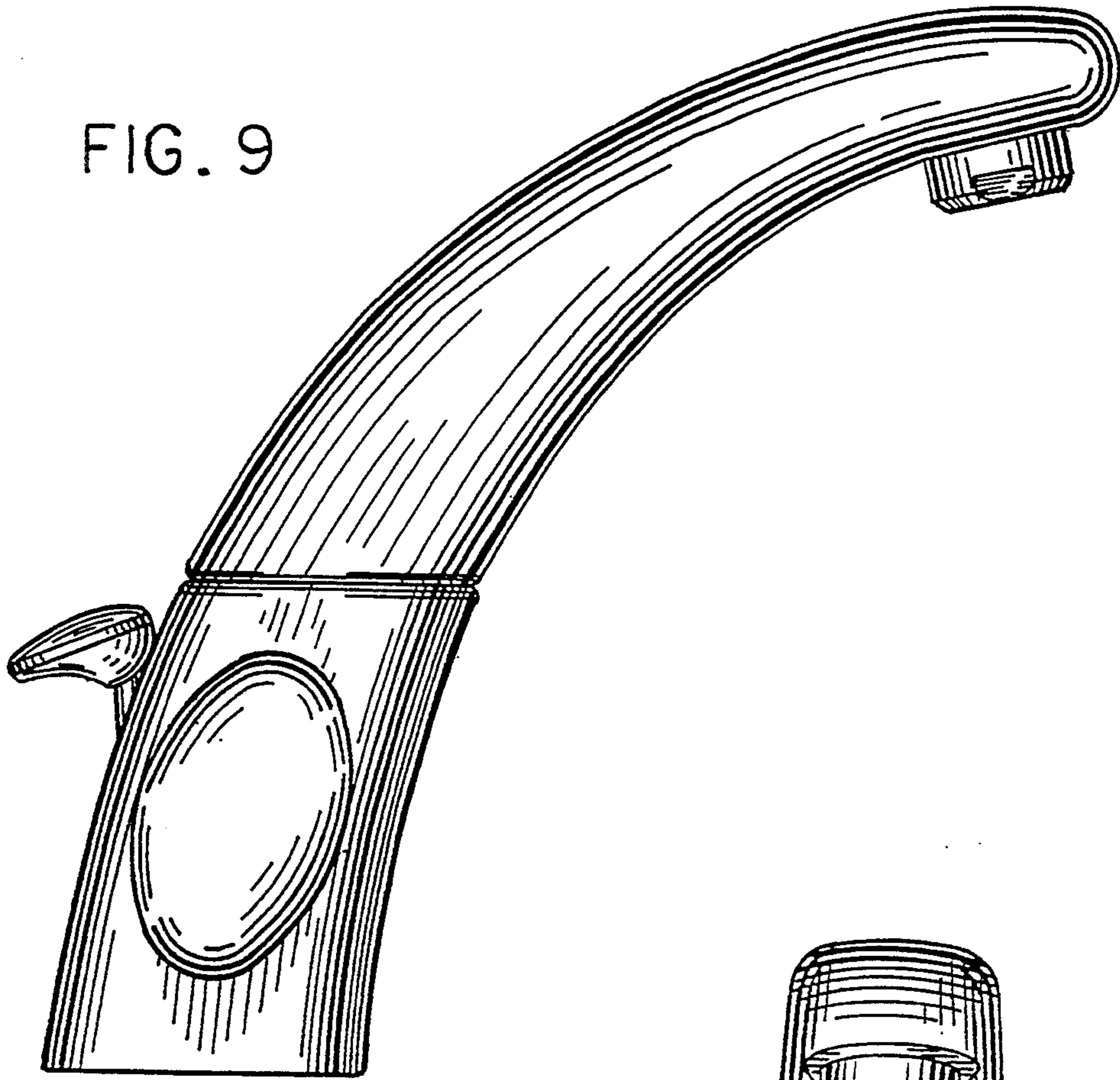
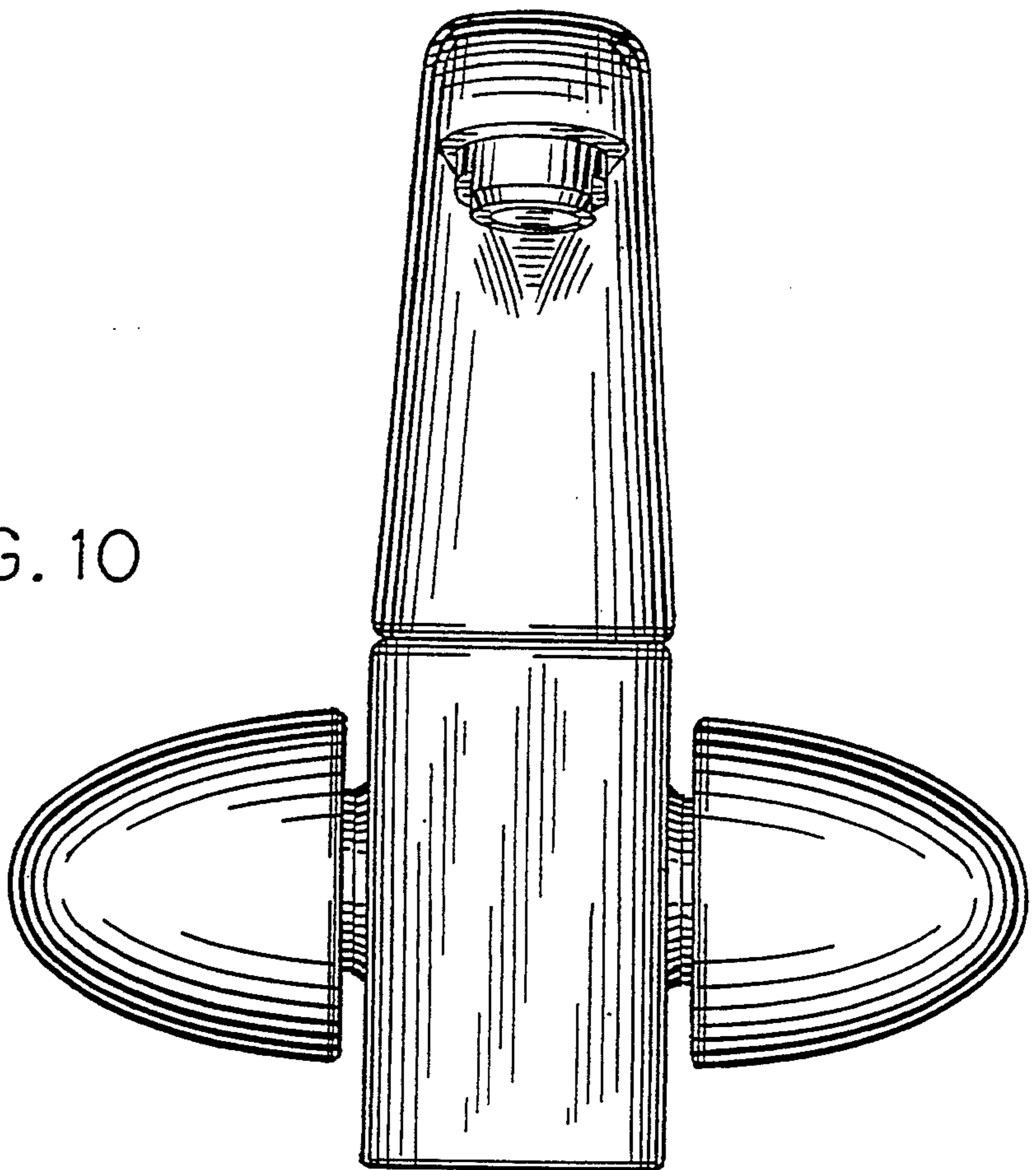


FIG. 10



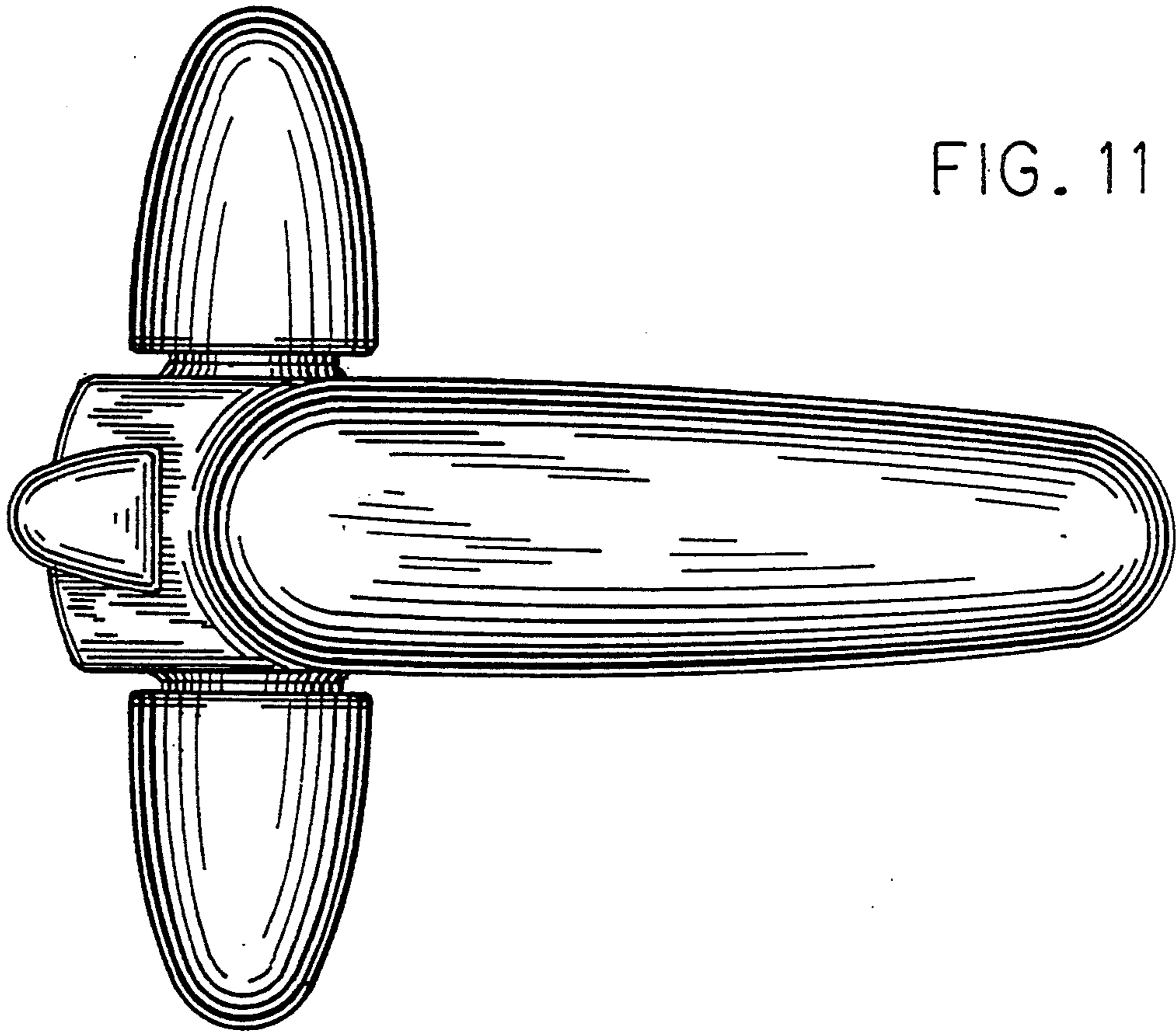


FIG. 11

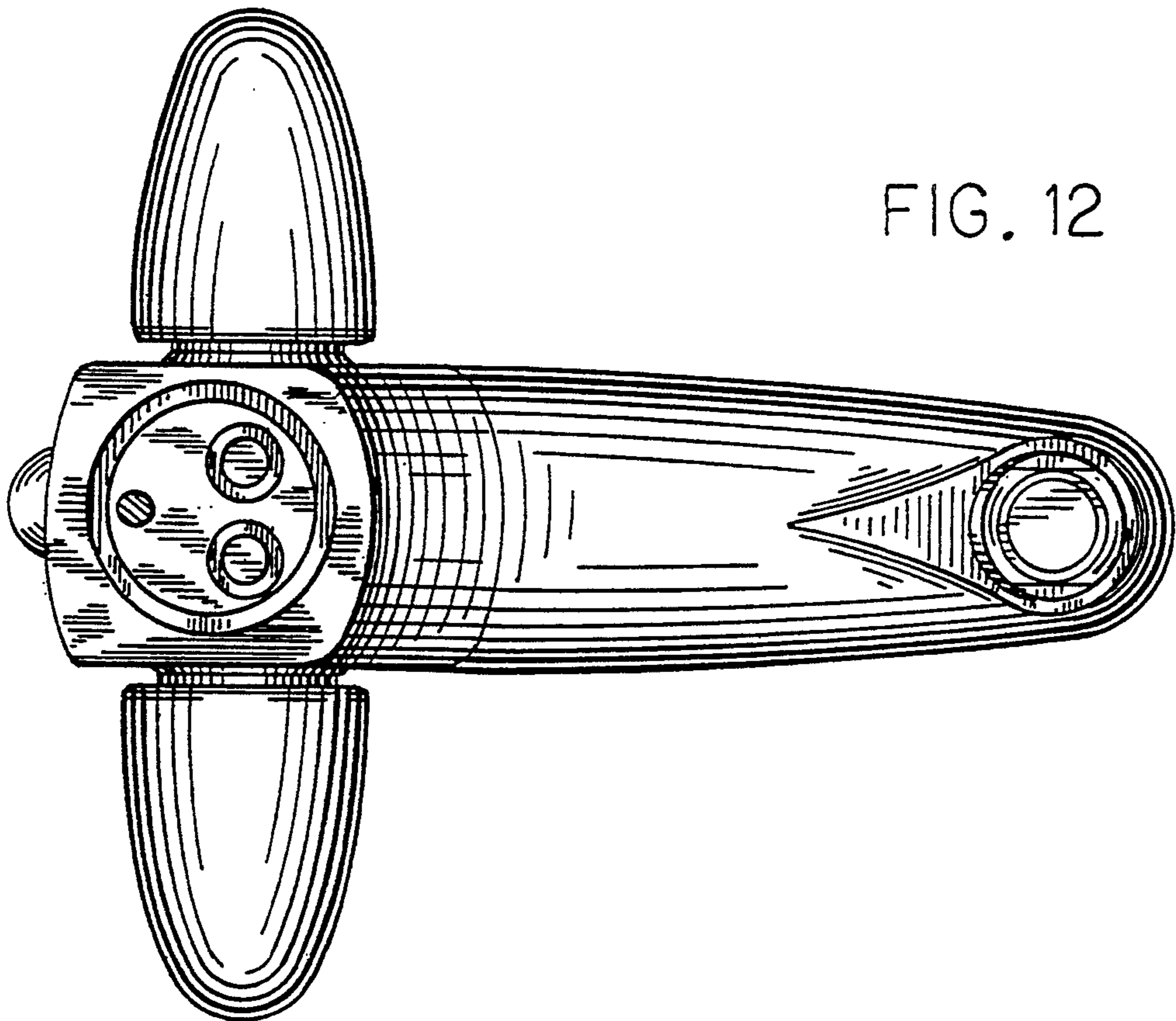


FIG. 12