



US00D354334S

United States Patent [19]

Koenig

[11] Patent Number: Des. 354,334

[45] Date of Patent: ** Jan. 10, 1995

[54] STEAM AND SHOWER HEAD

[75] Inventor: Jerome Koenig, Craryville, N.Y.

[73] Assignee: Sisco, Inc., Carson, Calif.

[**] Term: 14 Years

[21] Appl. No.: 16,353

[22] Filed: Dec. 14, 1993

[52] U.S. Cl. D23/223

[58] Field of Search D23/213-223,
D23/229; 239/280-283, 456-460, 443-449,
288, 288.3, 288.5

3,998,390 12/1976 Peterson et al. .
4,629,125 12/1986 Liu .
4,674,687 6/1987 Smith et al. 239/447

Primary Examiner—Wallace R. Burke
Assistant Examiner—Robin V. Taylor
Attorney, Agent, or Firm—Fulwider, Patton, Lee &
Utecht

[57] CLAIM

The ornamental design for a steam and shower head, as shown and described.

DESCRIPTION

FIG. 1 is a bottom plan view of a steam and shower head showing my new design;

FIG. 2 is a right side elevational view thereof;

FIG. 3 is a top plan view thereof;

FIG. 4 is a front elevational view thereof;

FIG. 5 is a rear elevational view thereof; and,

FIG. 6 is a bottom perspective view thereof.

[56] References Cited

U.S. PATENT DOCUMENTS

D. 334,048 3/1993 Ben-Zur D23/223
D. 337,810 7/1993 Bengtson et al. D23/223
D. 344,573 2/1994 Bruno et al. D23/223

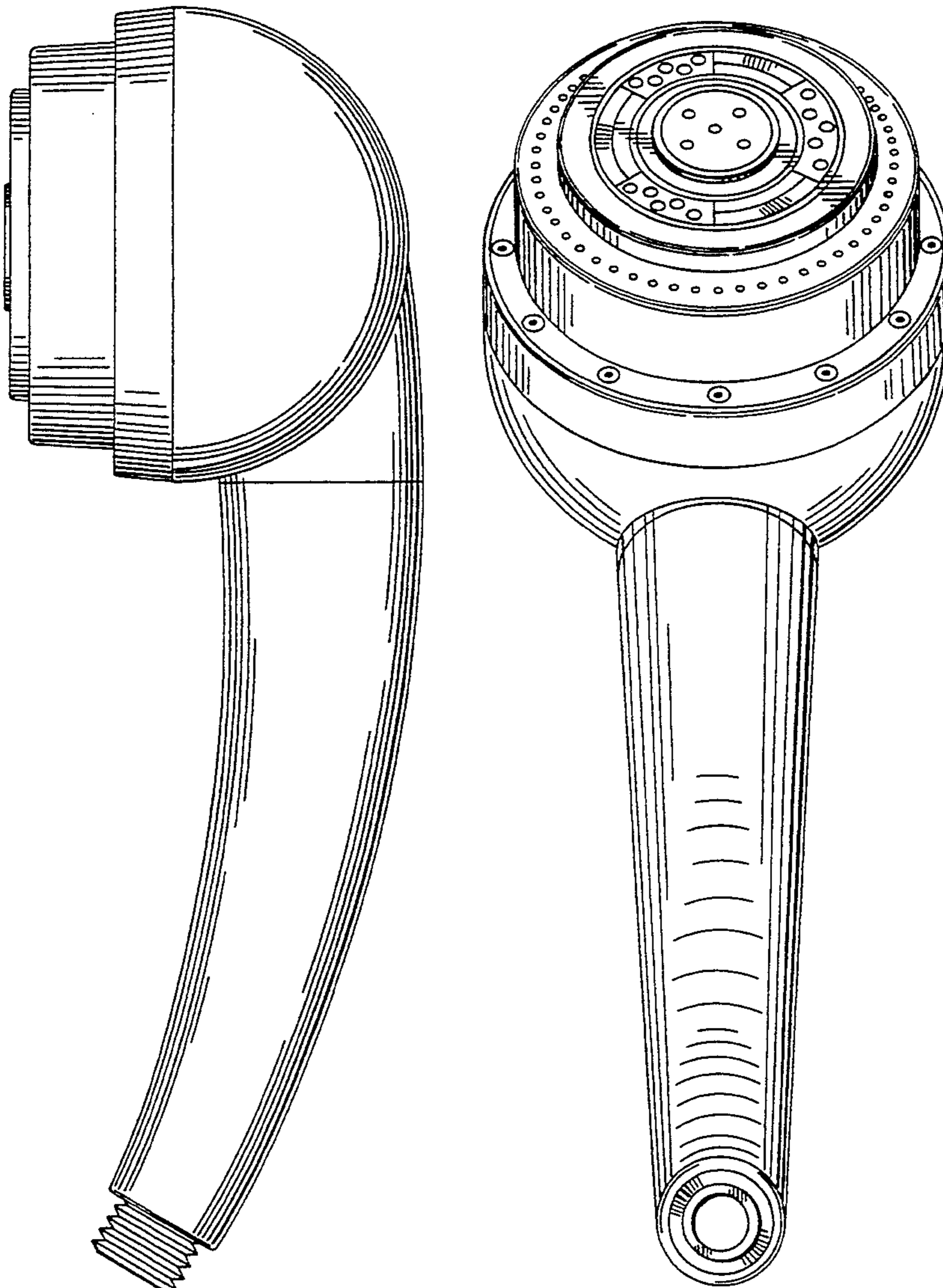


FIG. 1

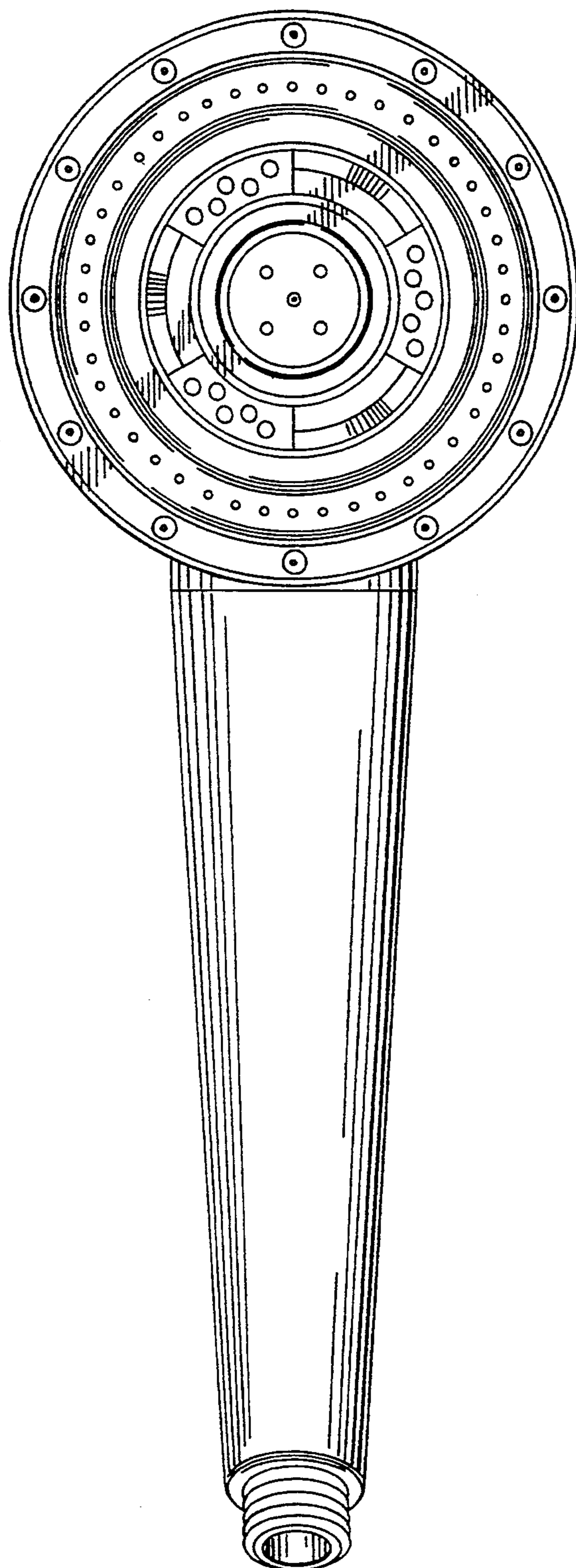


FIG. 2

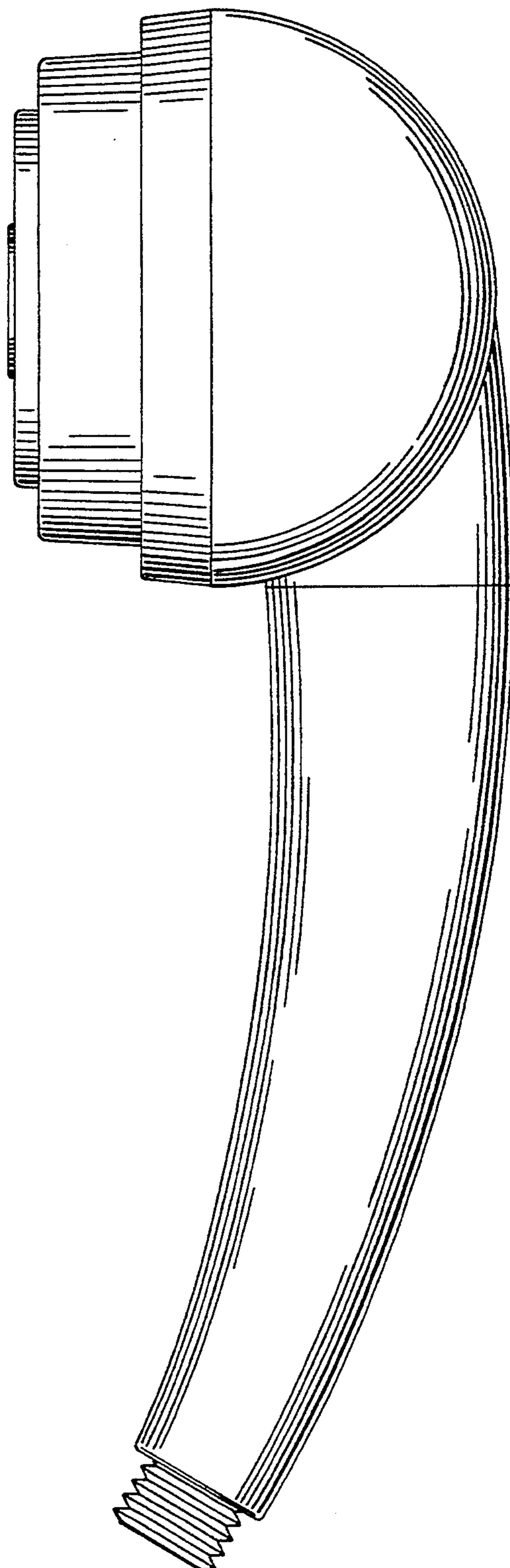


FIG. 3

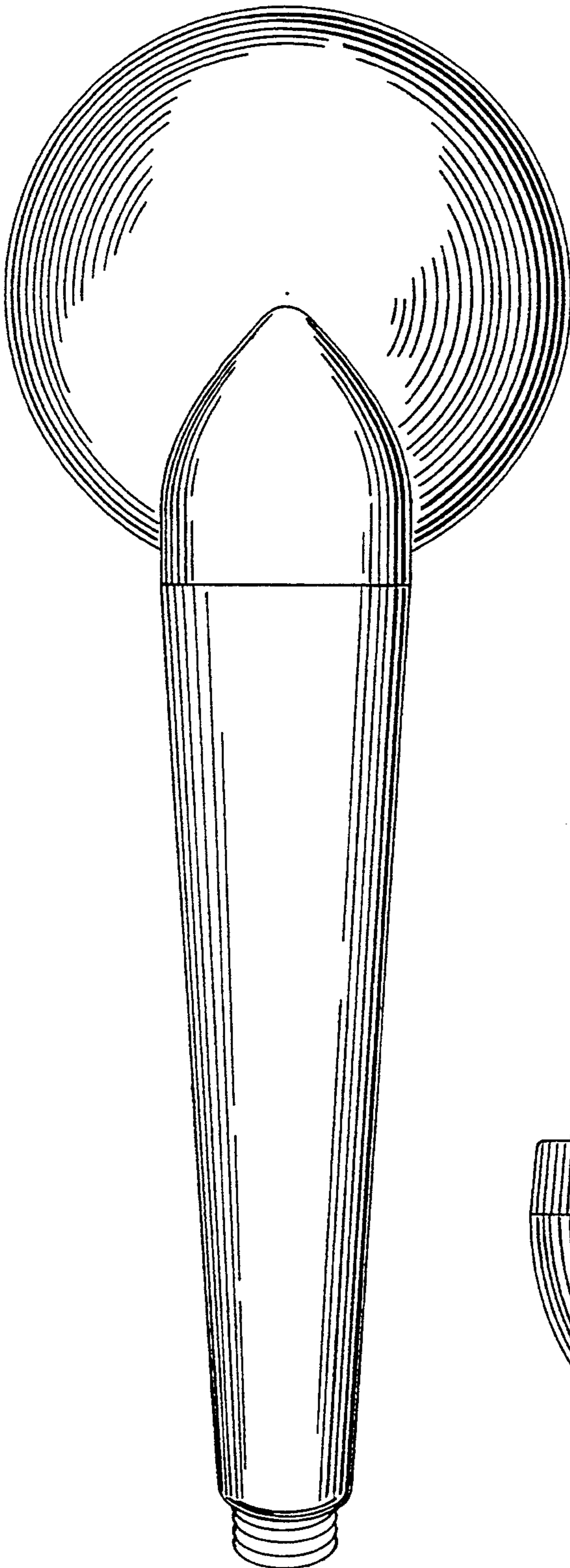


FIG. 4

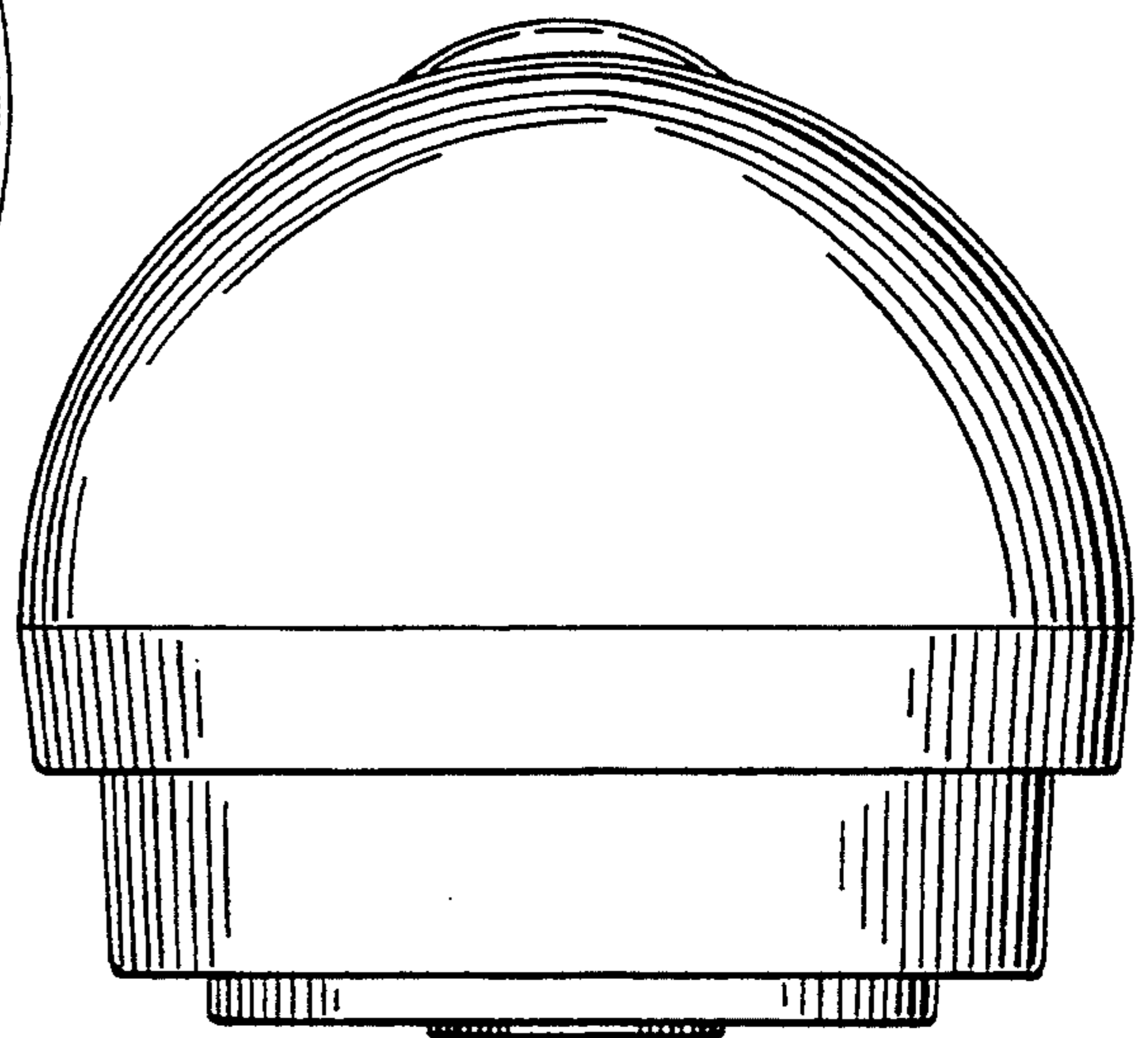


FIG. 5

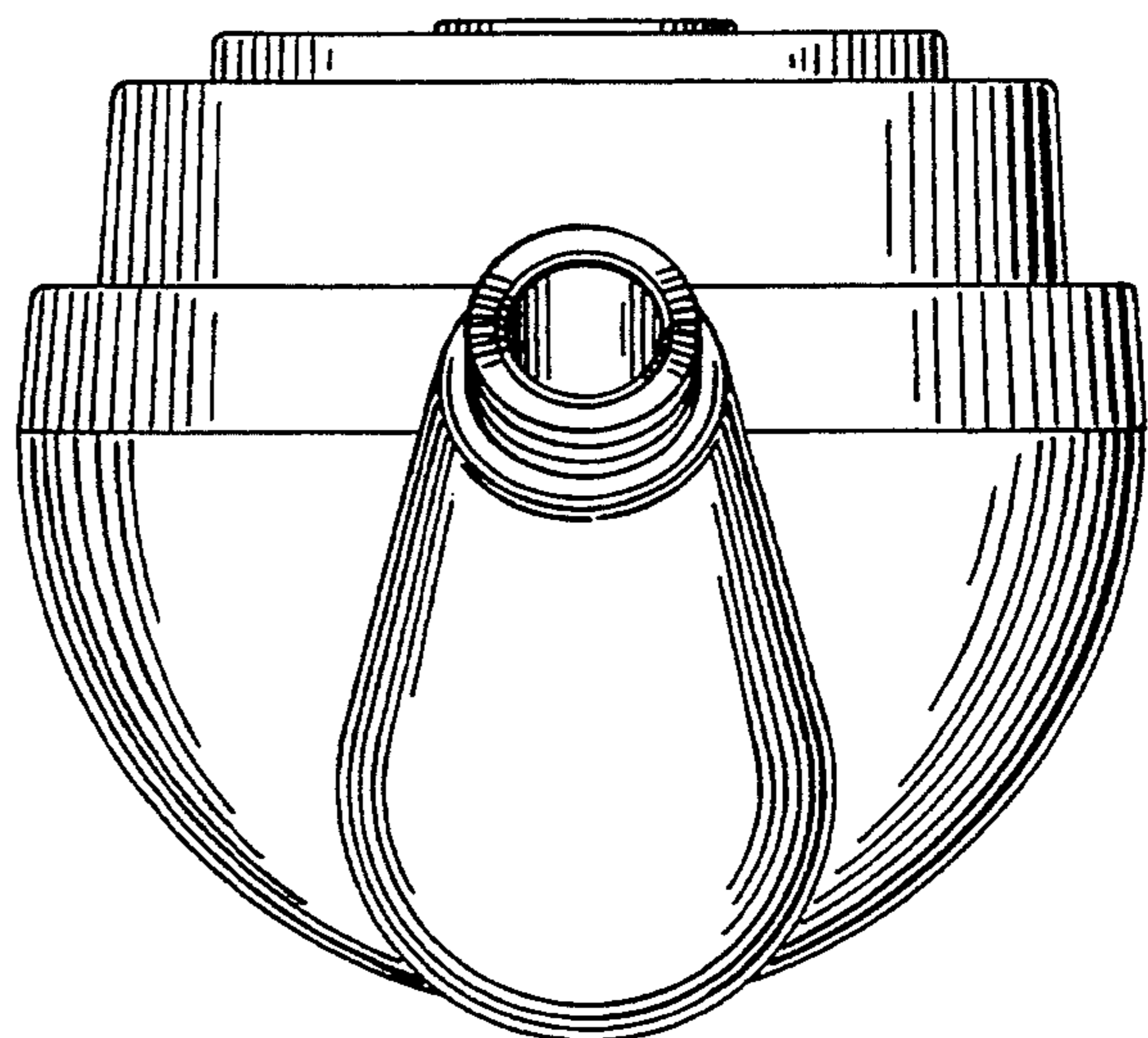


FIG. 6

