



US00D354333S

# United States Patent [19]

[11] Patent Number: **Des. 354,333**

**Clivio**

[45] Date of Patent: **\*\* Jan. 10, 1995**

- [54] **SPRAYER NOZZLE**
- [75] Inventor: **Franco Clivio**, Erlenbach,  
Switzerland
- [73] Assignee: **Gardena Kress + Kastner GmbH**,  
Germany
- [\*\*] Term: **14 Years**
- [21] Appl. No.: **17,540**
- [22] Filed: **Jan. 14, 1994**
- [30] **Foreign Application Priority Data**  
Jul. 16, 1993 [DE] Germany ..... 9305705
- [52] U.S. Cl. .... **D23/223**
- [58] Field of Search ..... D23/213, 223-229;  
239/301, 332, 373, 394, 396, 414-415, 525-528,  
530-532, 554, 556

- D. 315,782 3/1991 Clivio ..... D23/226
- D. 325,620 4/1992 Heren ..... D23/223
- D. 347,464 5/1994 Kingston et al. .... D23/223
- 3,437,273 4/1969 Hagfors ..... 239/414
- 4,986,477 1/1991 Roman ..... 239/525

### OTHER PUBLICATIONS

Gardena '92 Catalog, p. 23.

*Primary Examiner*—Wallace R. Burke  
*Assistant Examiner*—Robin V. Taylor  
*Attorney, Agent, or Firm*—Quarles & Brady

[56] **References Cited**  
**U.S. PATENT DOCUMENTS**

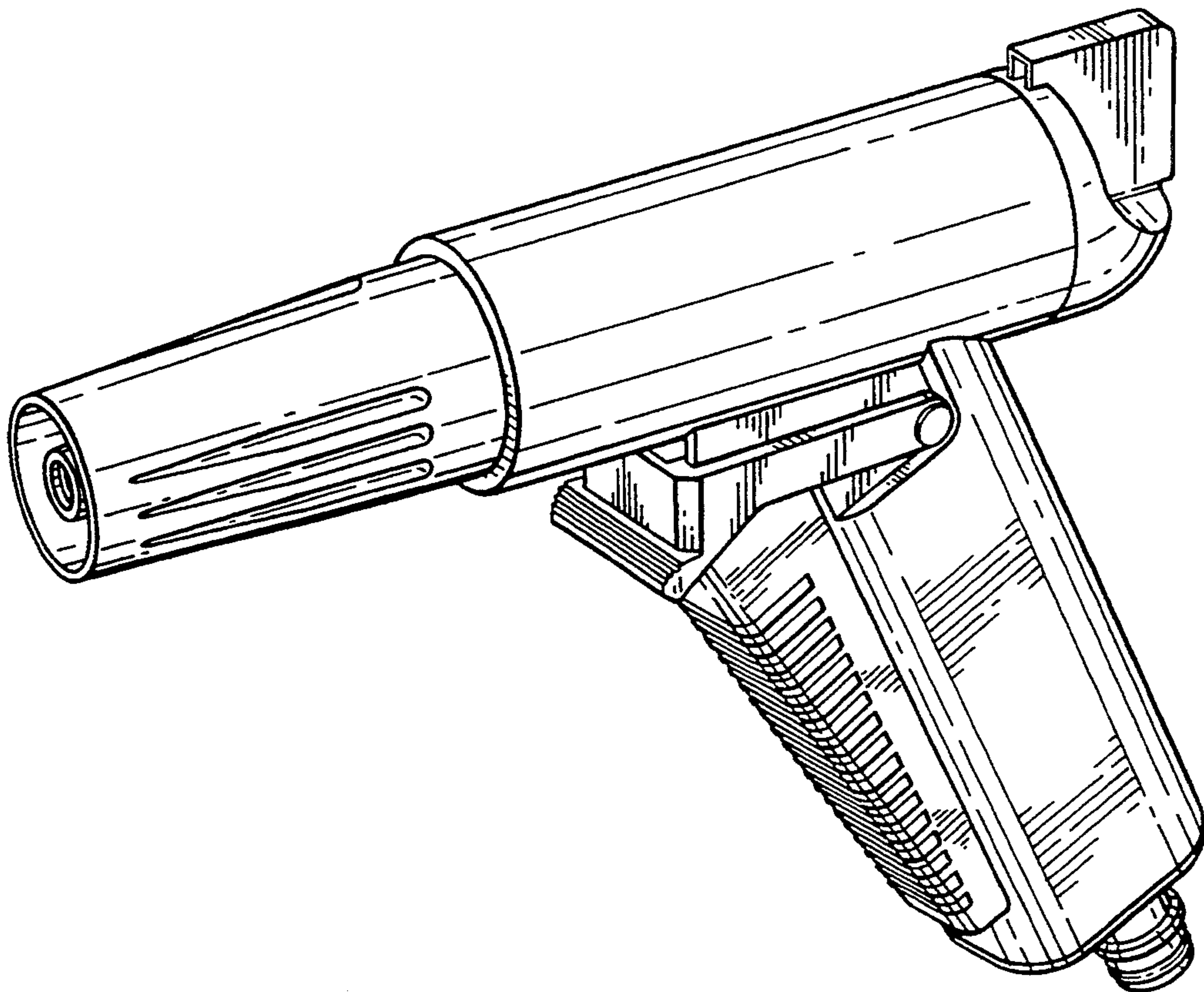
- D. 155,508 10/1949 Heimbürger ..... D23/223
- D. 221,547 8/1971 Kieves ..... D23/226
- D. 234,053 1/1975 Raffler et al. .... D23/226
- D. 303,139 8/1989 Morgan ..... D23/223

### [57] CLAIM

The ornamental design for a sprayer nozzle, as shown and described.

### DESCRIPTION

FIG. 1 is a side perspective view of a sprayer nozzle showing my new design;  
 FIG. 2 is a top plan view thereof;  
 FIG. 3 is a side elevation view thereof;  
 FIG. 4 is a front elevation view thereof;  
 FIG. 5 is a rear elevation view thereof;  
 FIG. 6 is an opposite side elevation view thereof; and,  
 FIG. 7 is a bottom plan view thereof.



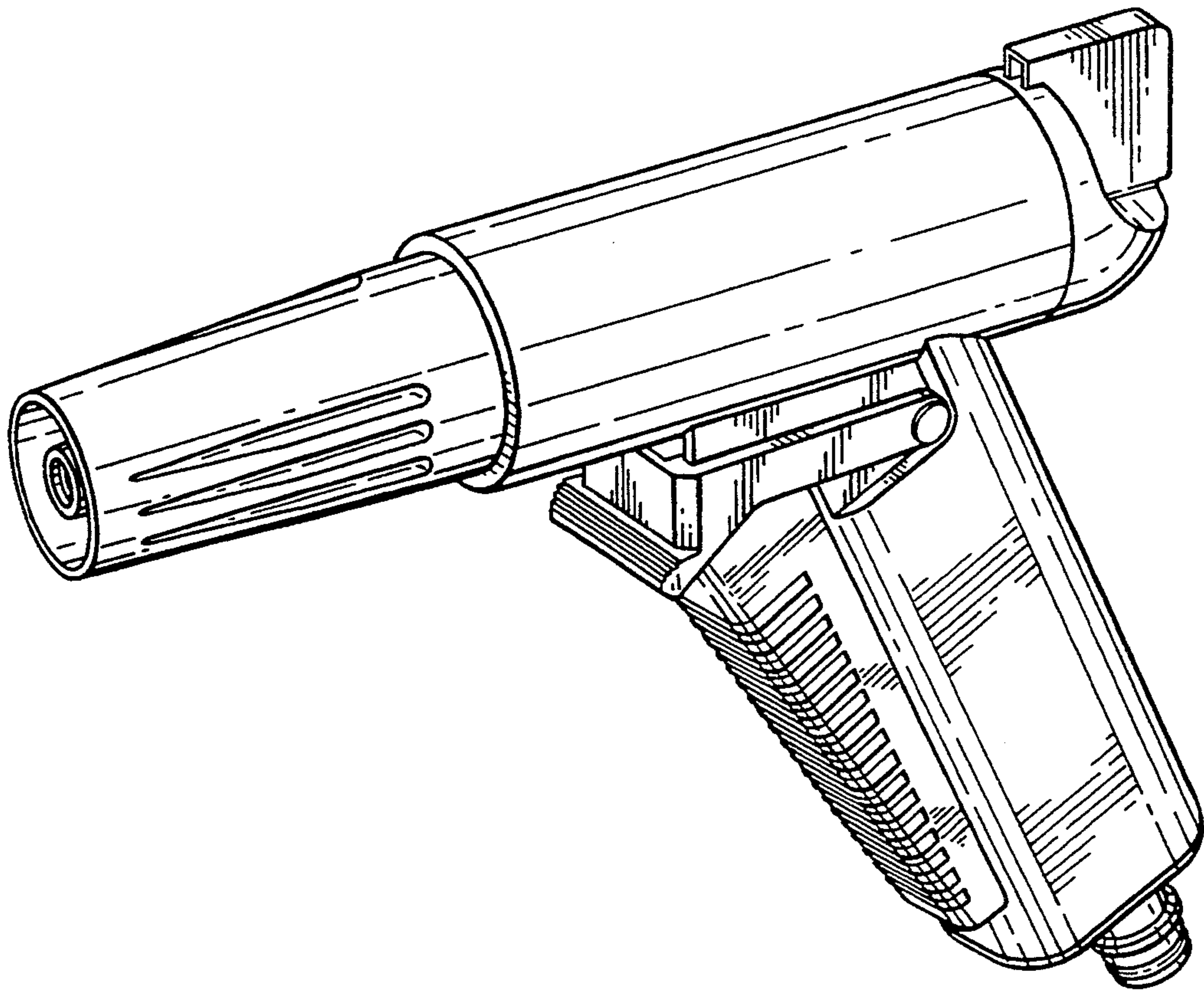


Fig. 1

Fig. 2

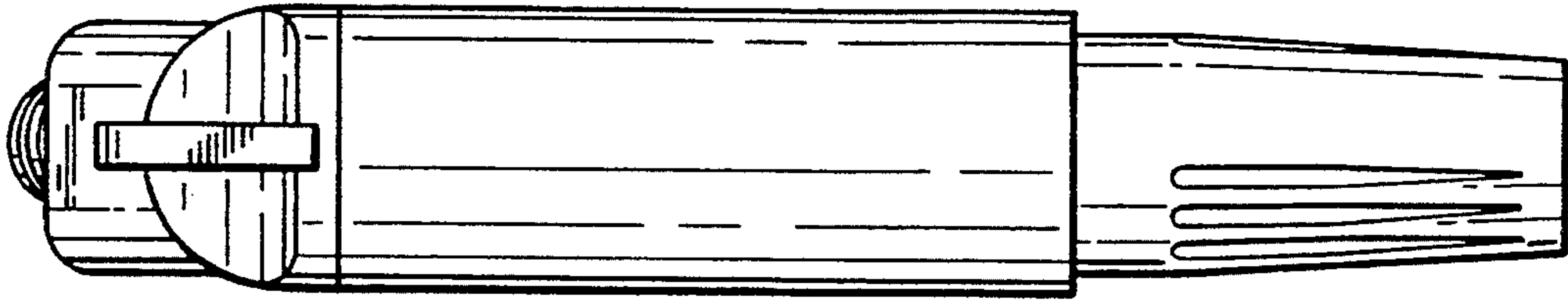


Fig. 3

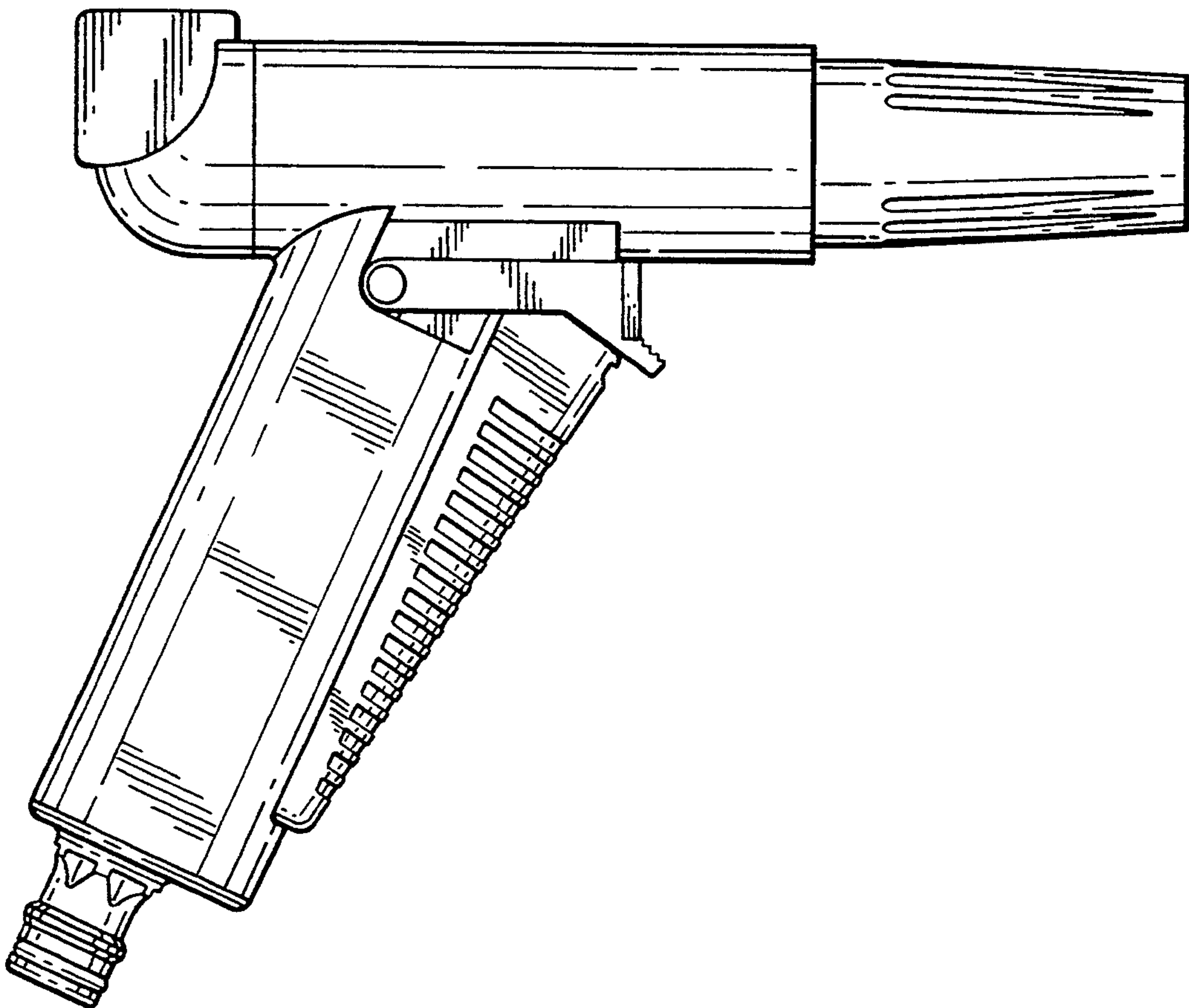


Fig. 4

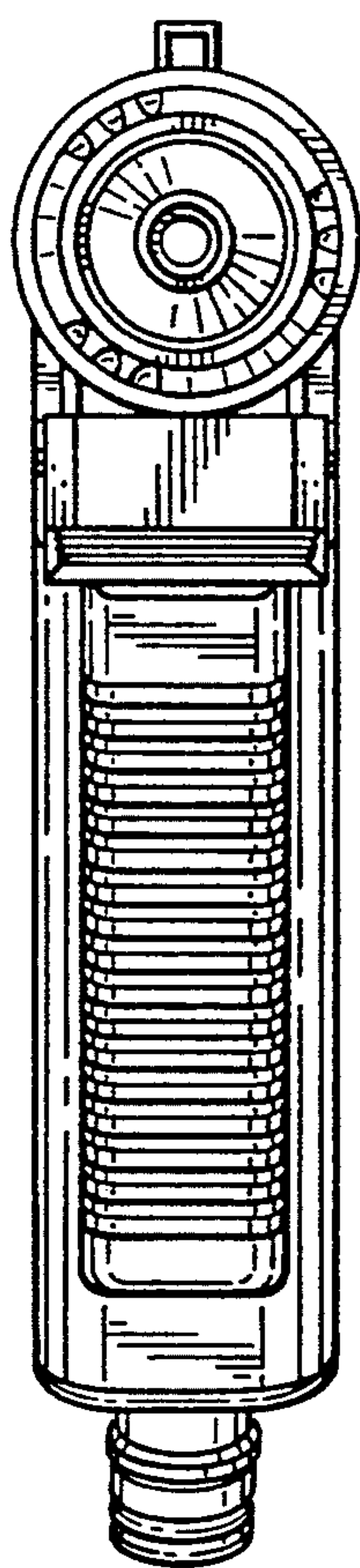


Fig. 5

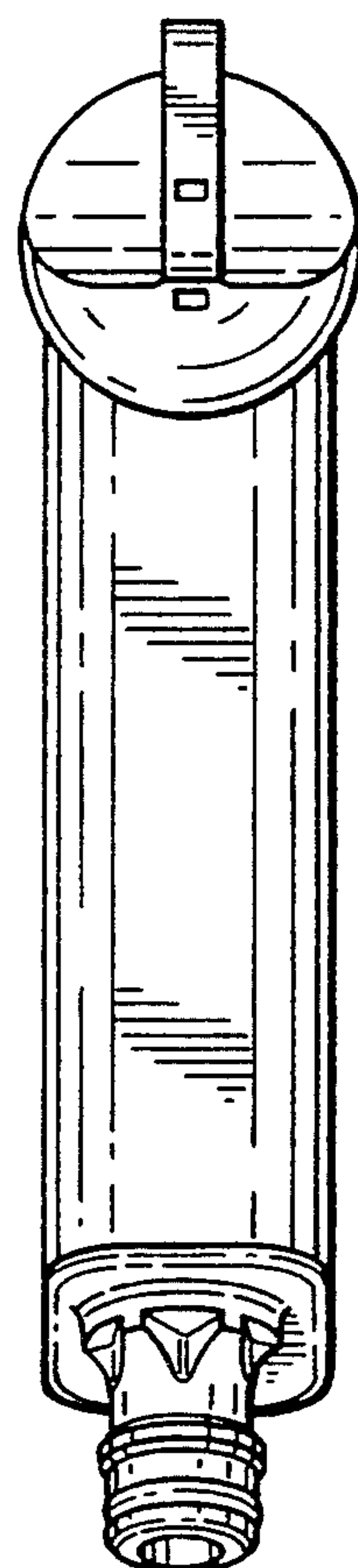




Fig. 6

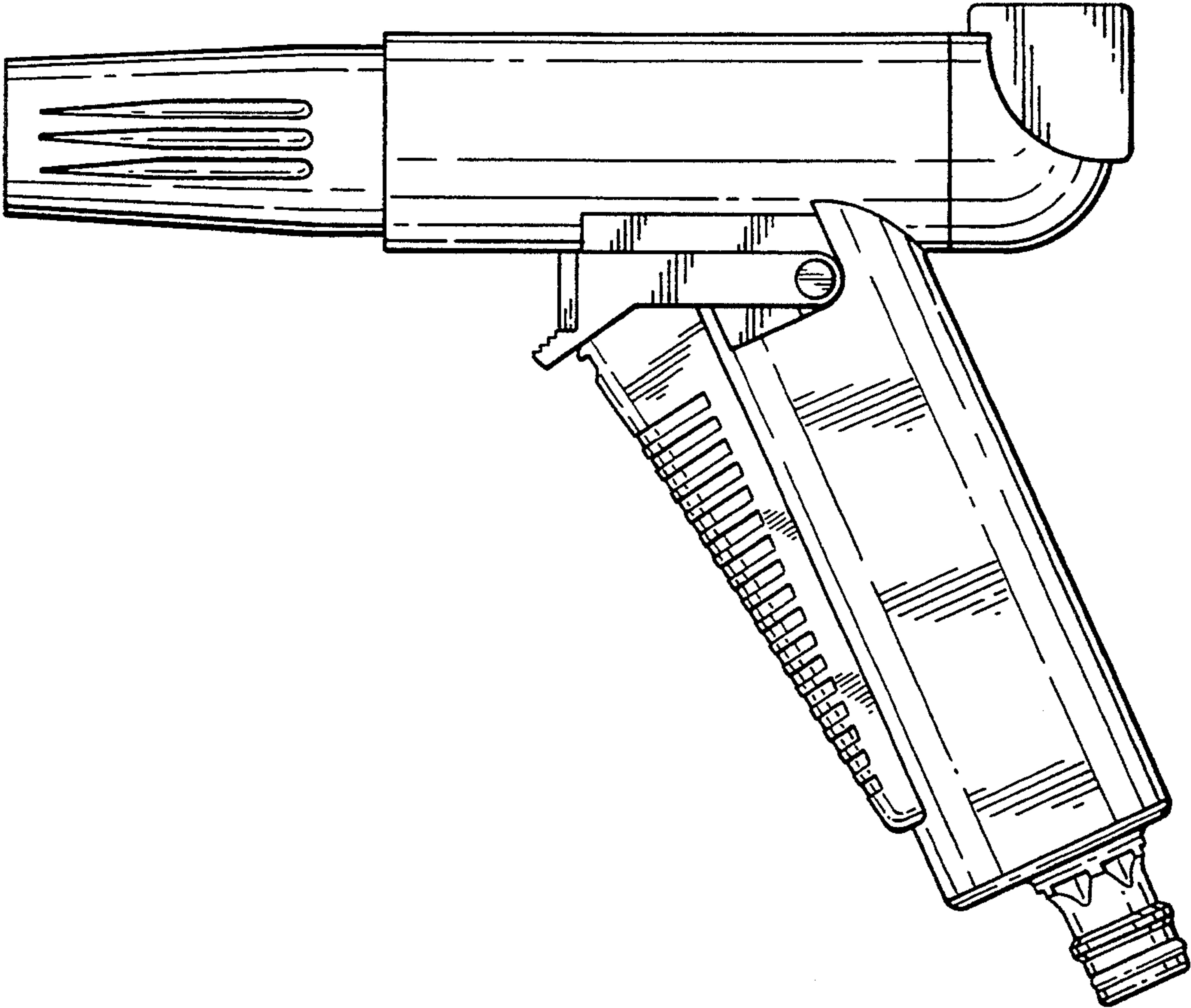


Fig. 7

