



US00D354331S

United States Patent [19]
Bunke

[11] **Patent Number: Des. 354,331**
[45] **Date of Patent: ** Jan. 10, 1995**

[54] **INFLOW WATER TREATMENT FITTING
FOR CHEMICAL TOILET**

4,873,727 10/1989 Homan 4/226.1
4,984,306 1/1991 Sumerix 4/226.1
5,053,206 10/1991 Maglio et al. 137/205.5

[76] **Inventor: Danny D. Bunke, 4158 Marigene Ct.,
Reno, Nev. 89509**

Primary Examiner—Wallace R. Burke
Assistant Examiner—M. Brown
Attorney, Agent, or Firm—Lothrop & West

[**] **Term: 14 Years**

[21] **Appl. No.: 8,864**

[57] **CLAIM**

[22] **Filed: May 27, 1993**

The ornamental design for an inflow water treatment fitting for chemical toilet, as shown and described.

[52] **U.S. Cl. D23/207**

[58] **Field of Search D23/200, 207; 4/223,
4/224, 225.1, 226.1; 200/295, 310, DIG. 5, 314,
316; 422/265, 119, 264; 137/218, 217; 239/310**

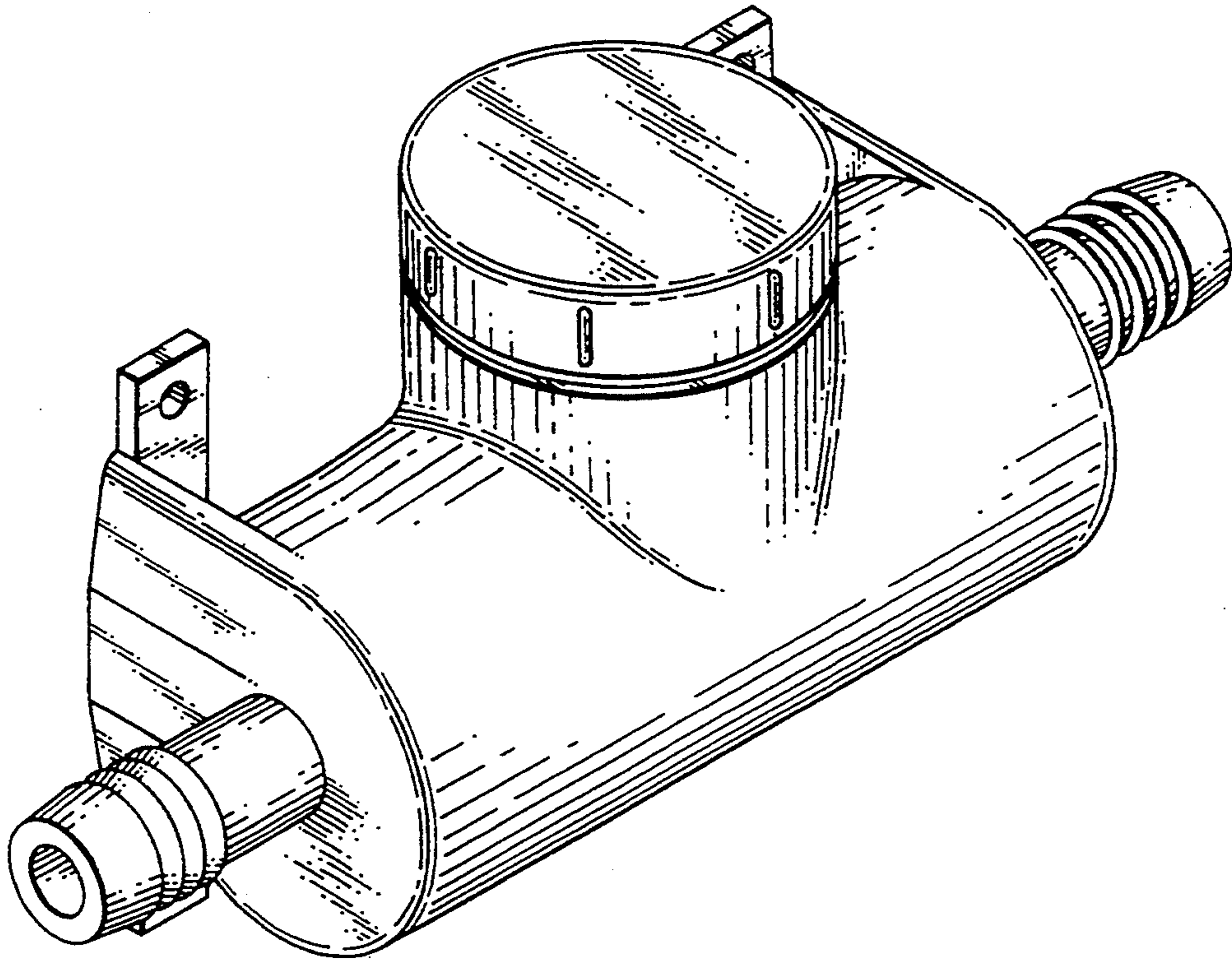
DESCRIPTION

[56] **References Cited**

U.S. PATENT DOCUMENTS

D. 291,112 7/1987 Franco et al. D23/207
D. 302,457 7/1989 Carreau et al. D23/207
3,840,914 10/1974 Koch et al. 210/314
4,822,571 4/1989 Nicholson et al. 239/310

FIG. 1 is a front perspective view of an inflow water treatment fitting for chemical toilet, showing my new design;
FIG. 2 is an elevational view of the front side thereof;
FIG. 3 is an elevational view of the rear side thereof;
FIG. 4 is a top plan view thereof;
FIG. 5 is a bottom plan view thereof; and,
FIG. 6 is an elevational view of one end thereof, the other end being a mirror image of the figure shown.



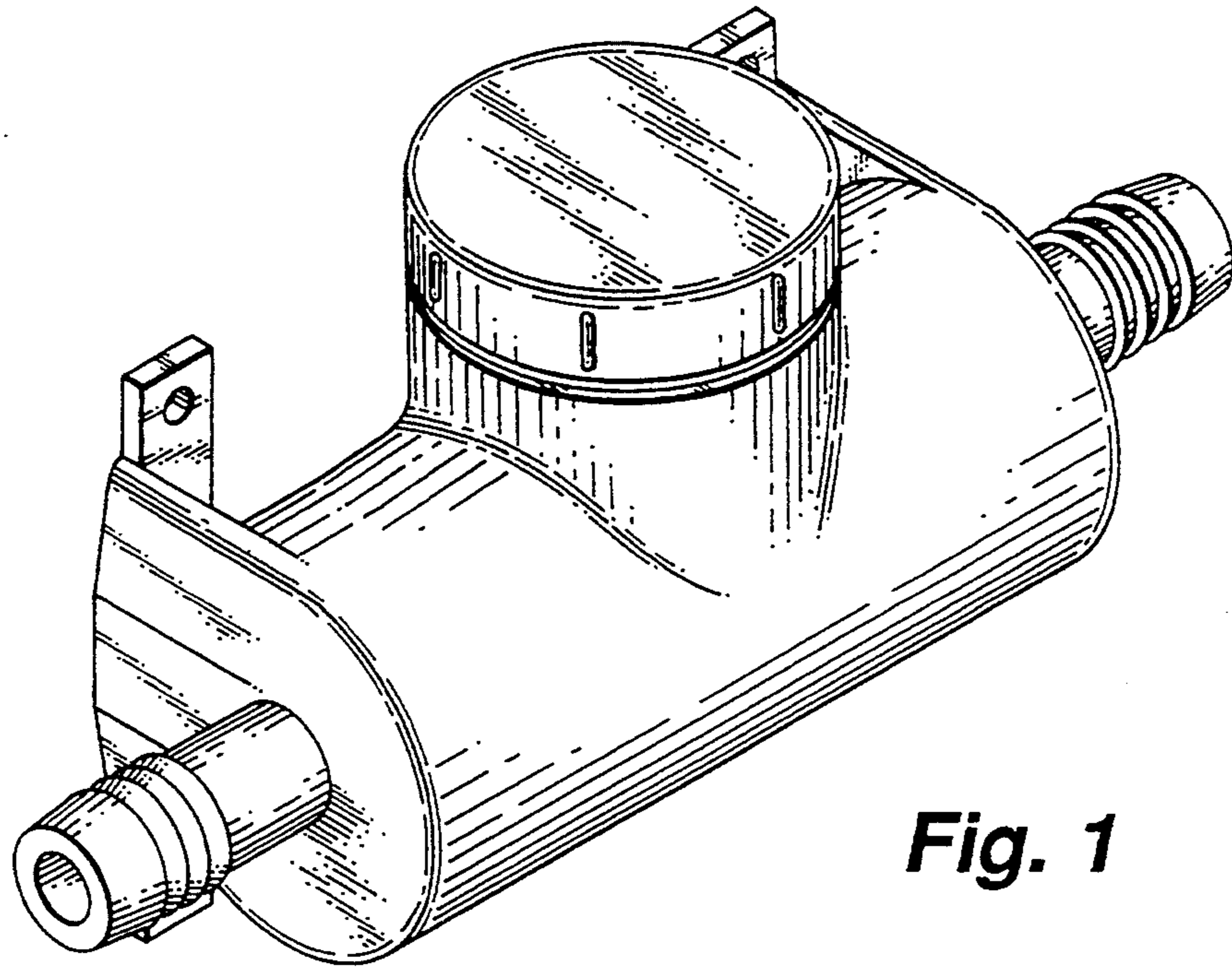


Fig. 1

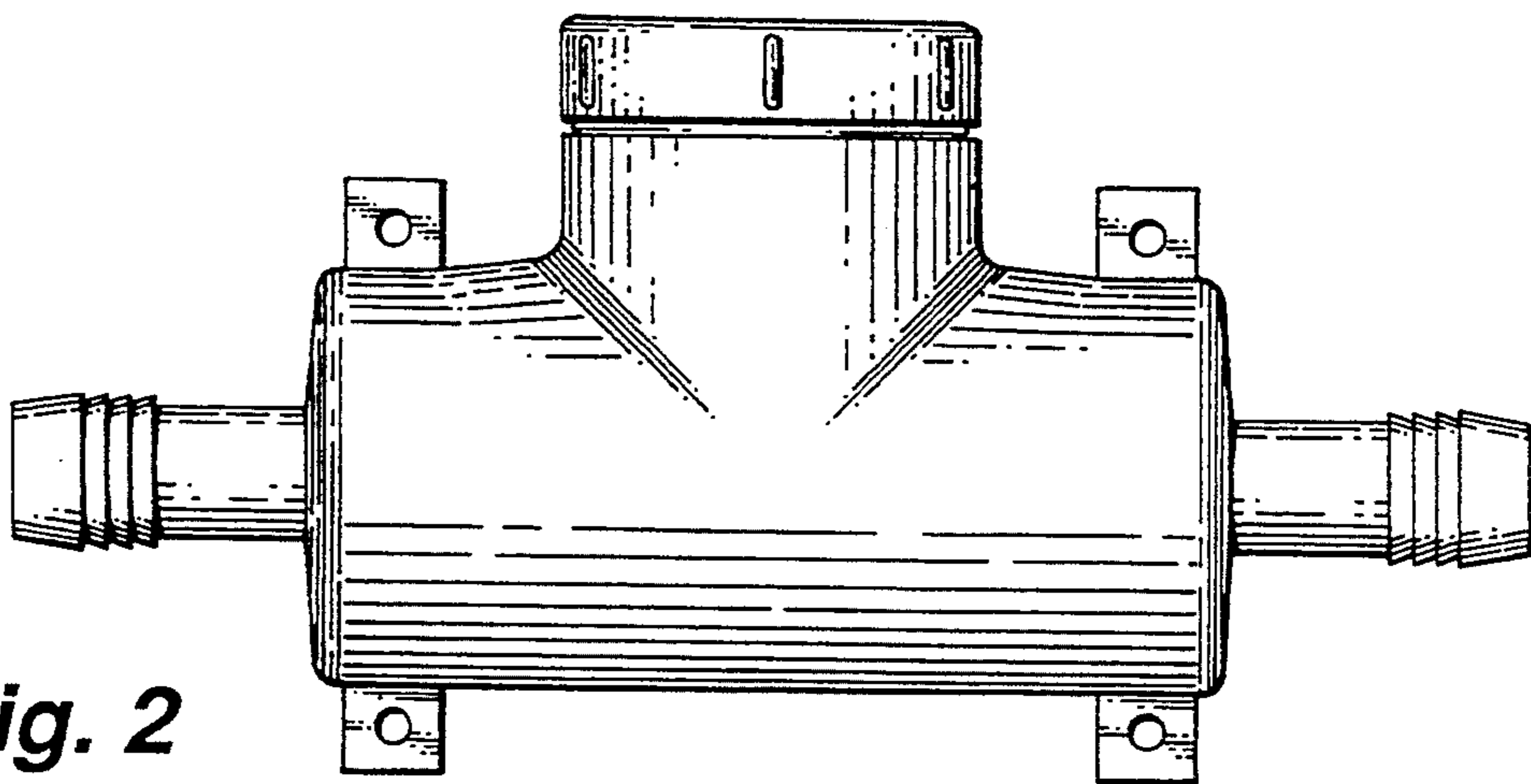


Fig. 2

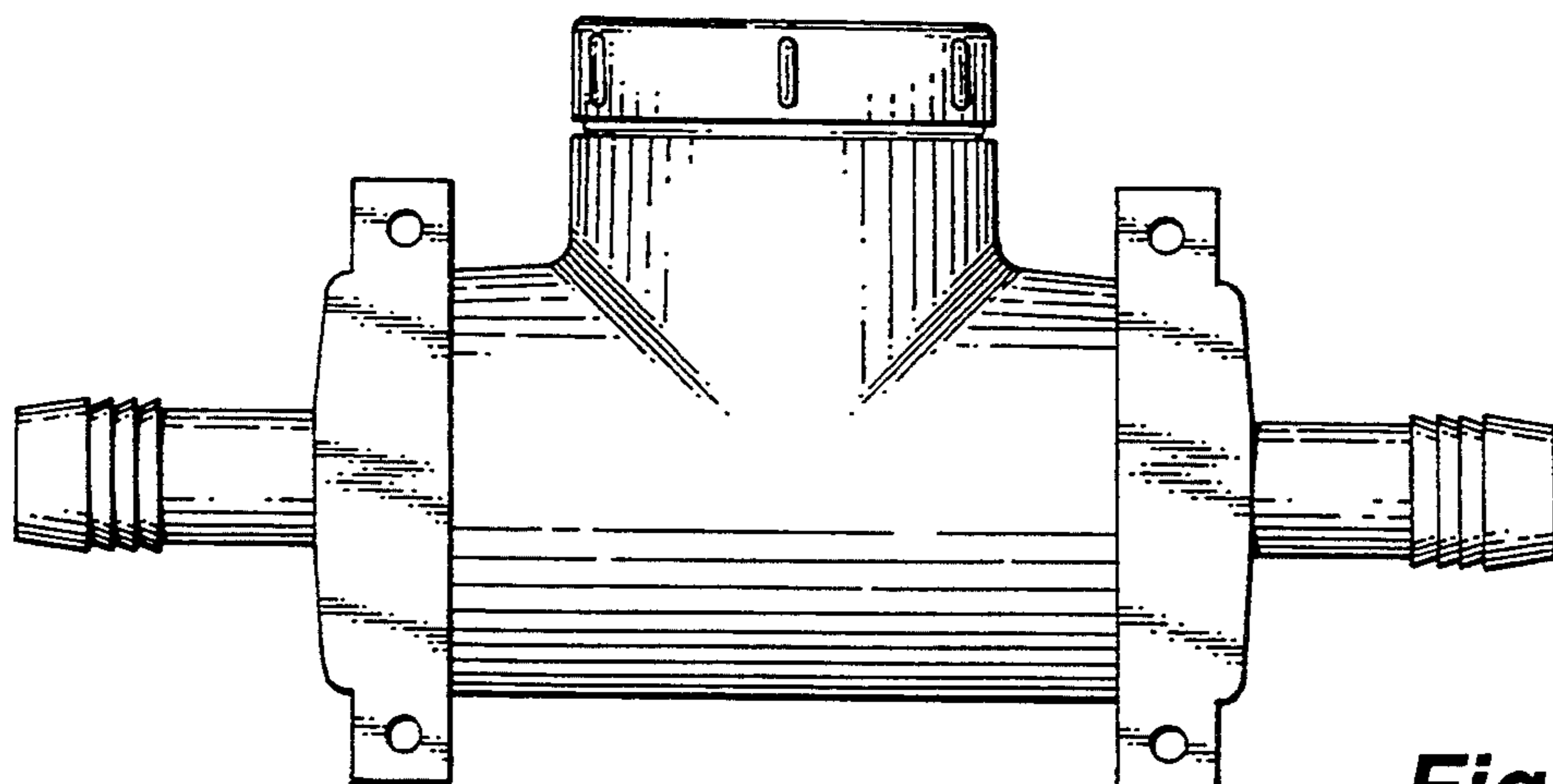


Fig. 3

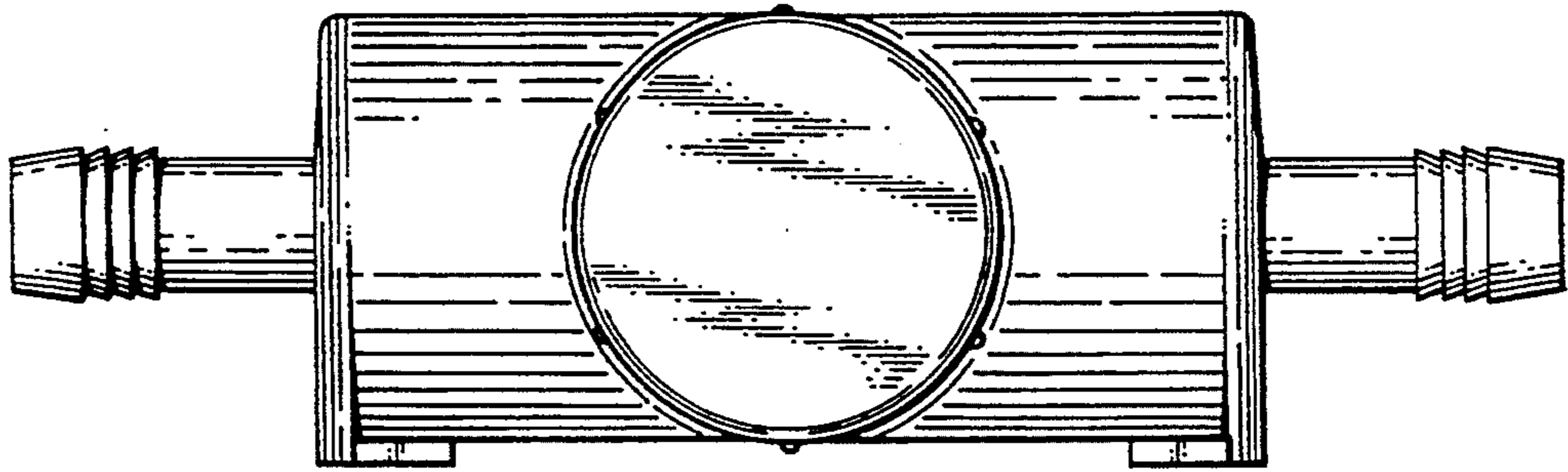


Fig. 4

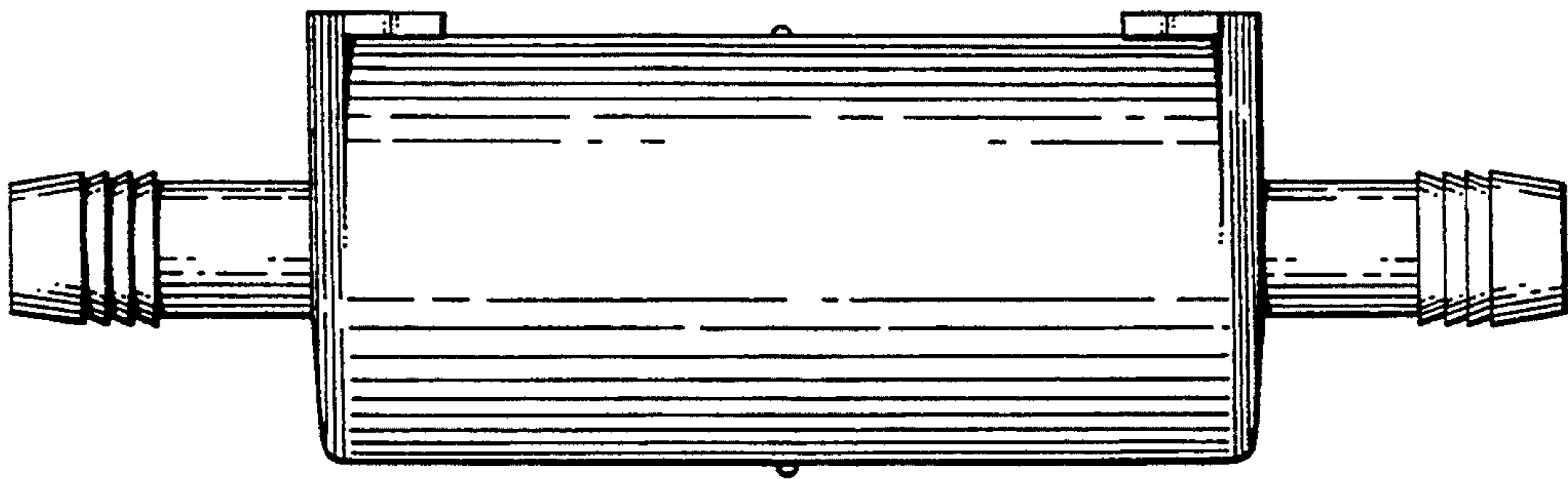


Fig. 5

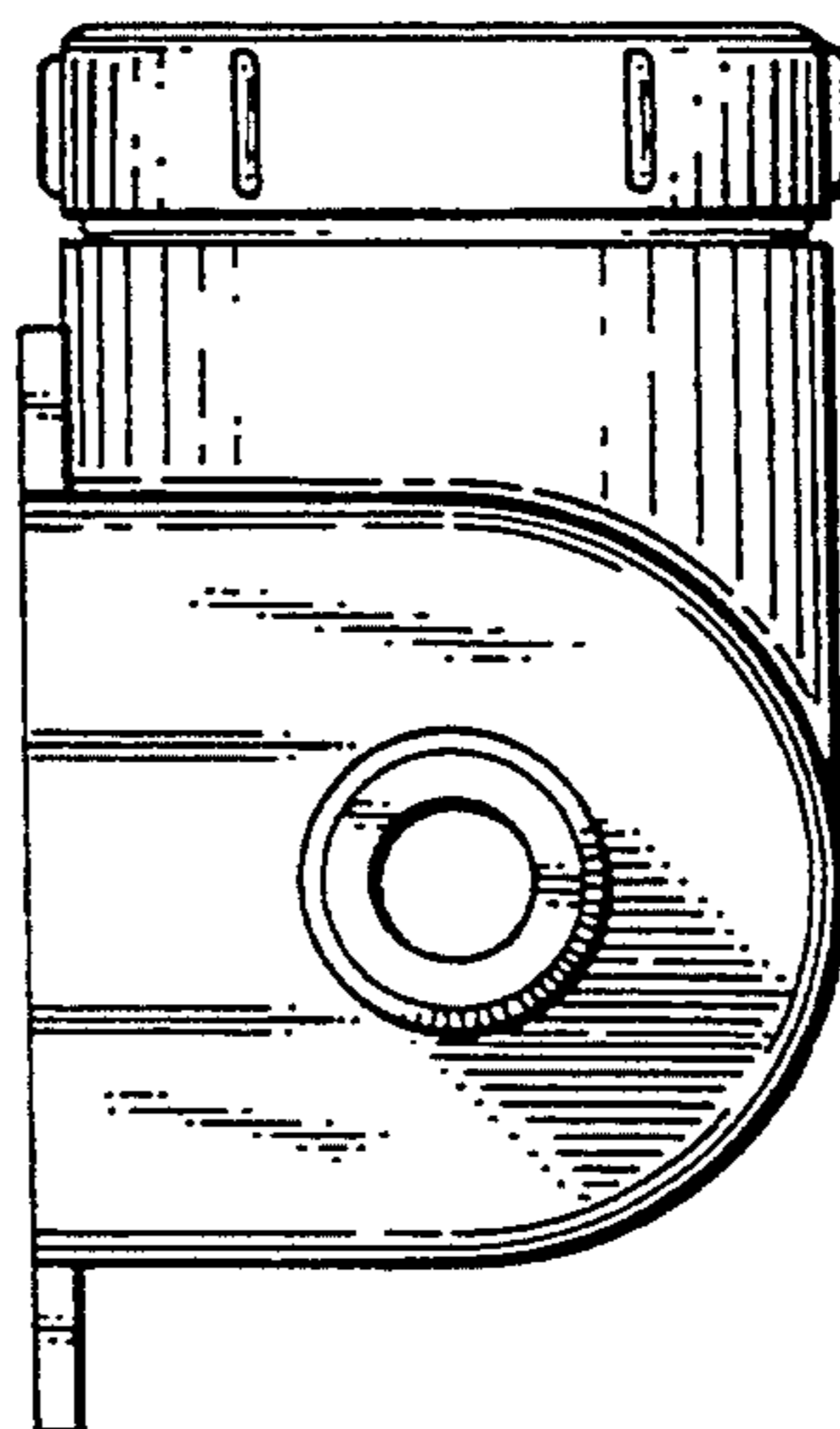


Fig. 6