



US00D354330S

United States Patent [19]

[11] Patent Number: **Des. 354,330**

Robbins

[45] Date of Patent: **** Jan. 10, 1995**

[54] **SPINNING FISHING REEL**

D. 327,526 6/1992 Shiozaki D22/141

[75] Inventor: **Richard J. Robbins, Derby, Kans.**

Primary Examiner—A. Hugo Word

[73] Assignee: **Zebco Corporation, Tulsa, Okla.**

Assistant Examiner—Doris V. Coles

[**] Term: **14 Years**

Attorney, Agent, or Firm—Wood, Phillips, Van Santen,
Hoffman & Ertel

[21] Appl. No.: **914,946**

[57] **CLAIM**

[22] Filed: **Jul. 15, 1992**

The ornamental design for a spinning fishing reel, as shown and described.

[52] U.S. Cl. **D22/141**

[58] Field of Search D22/141; 242/224, 230,
242/231, 232, 233, 246; 245/245

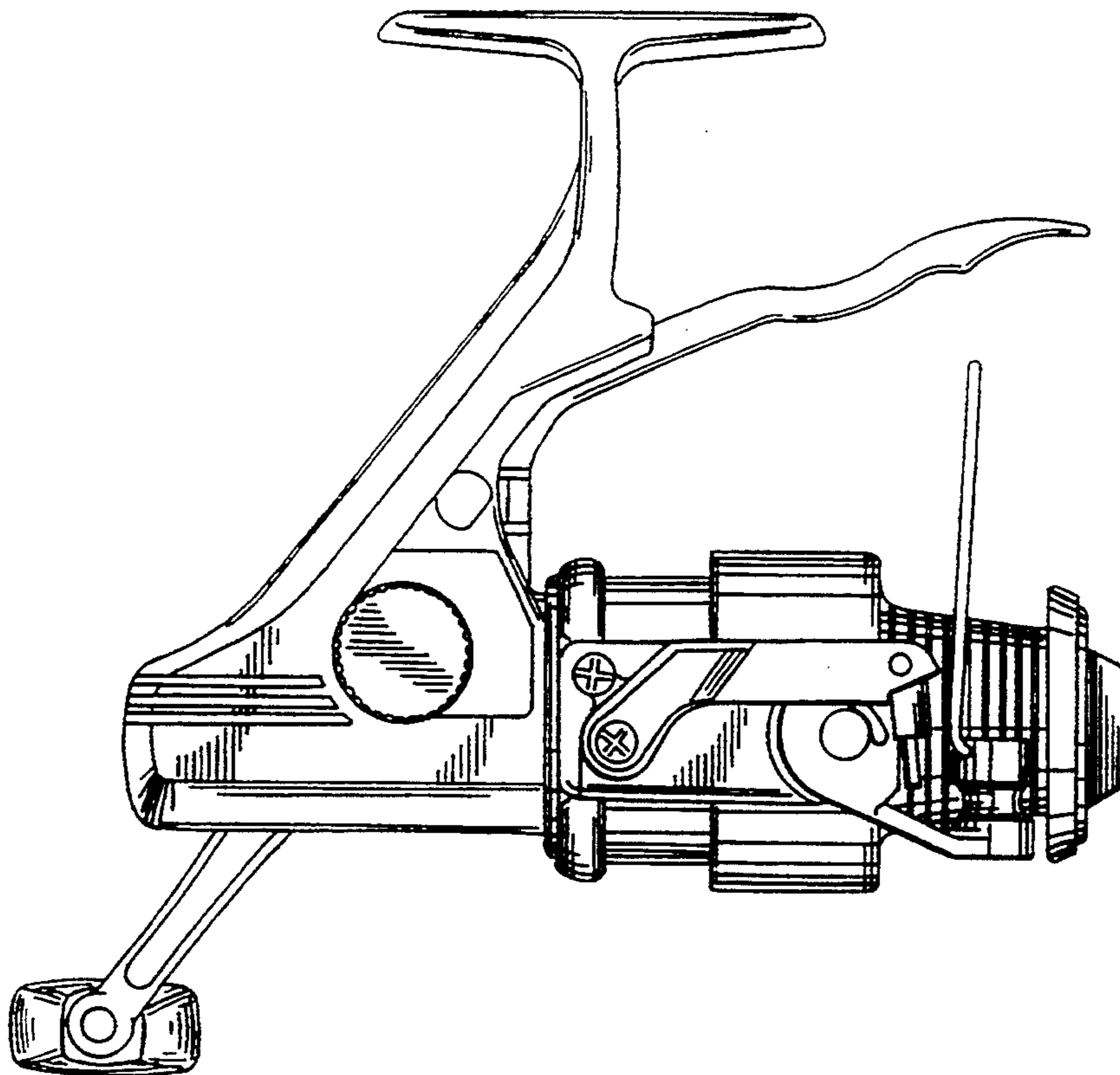
DESCRIPTION

[56] **References Cited**

U.S. PATENT DOCUMENTS

- D. 231,224 4/1974 Koenecke et al. D22/141
- D. 245,784 9/1977 Okada D22/141
- D. 273,973 5/1984 Mack D22/141
- D. 316,443 4/1991 Yoshikawa et al. D22/141

FIG. 1 is a top and side perspective view of a spinning fishing reel, showing my new design;
 FIG. 2 is a right side elevation view thereof;
 FIG. 3 is a left side elevation view thereof;
 FIG. 4 is a bottom plan view thereof;
 FIG. 5 is a top plan view thereof;
 FIG. 6 is a front elevation view; and,
 FIG. 7 is a rear elevation view.



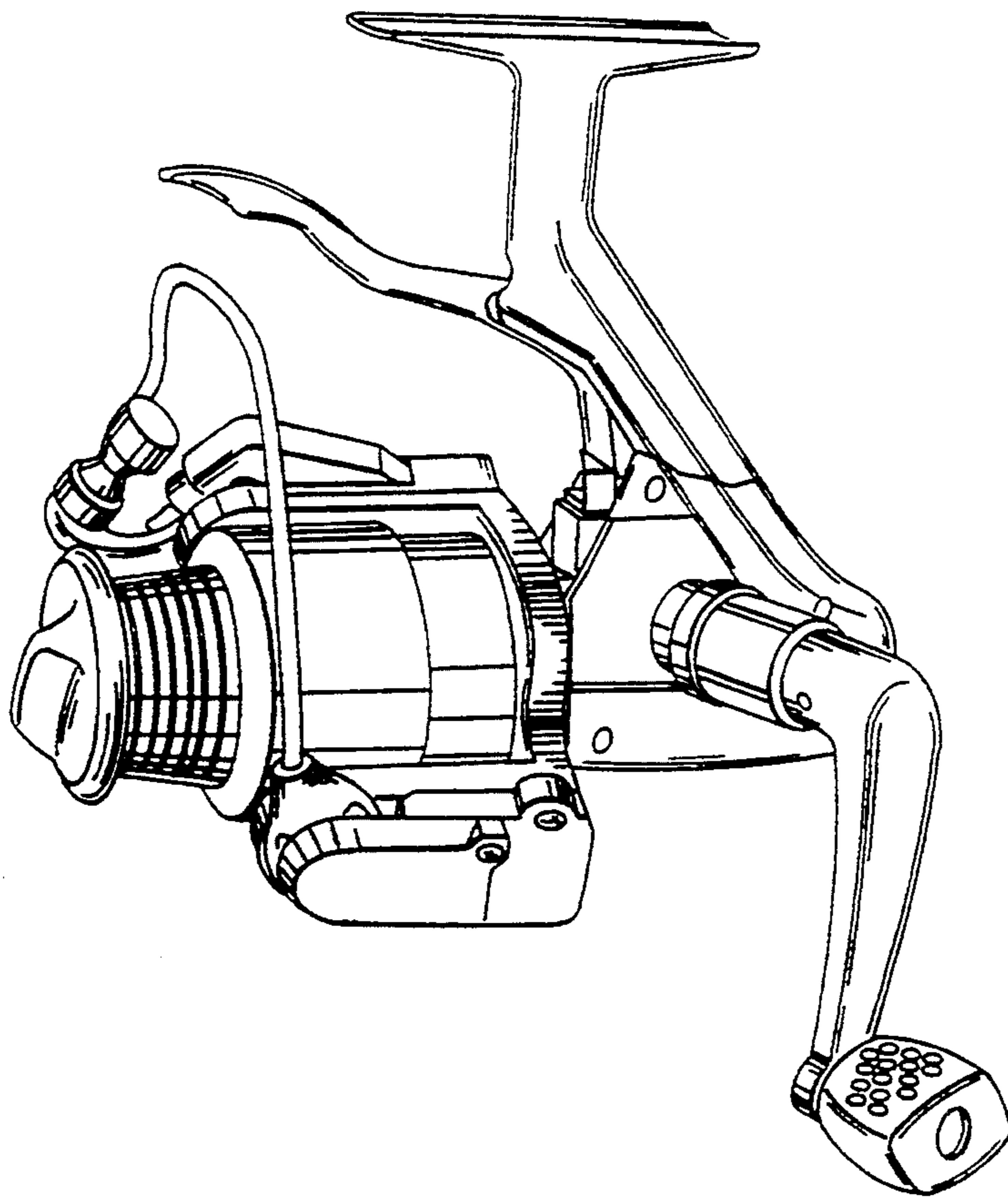


FIG. 1

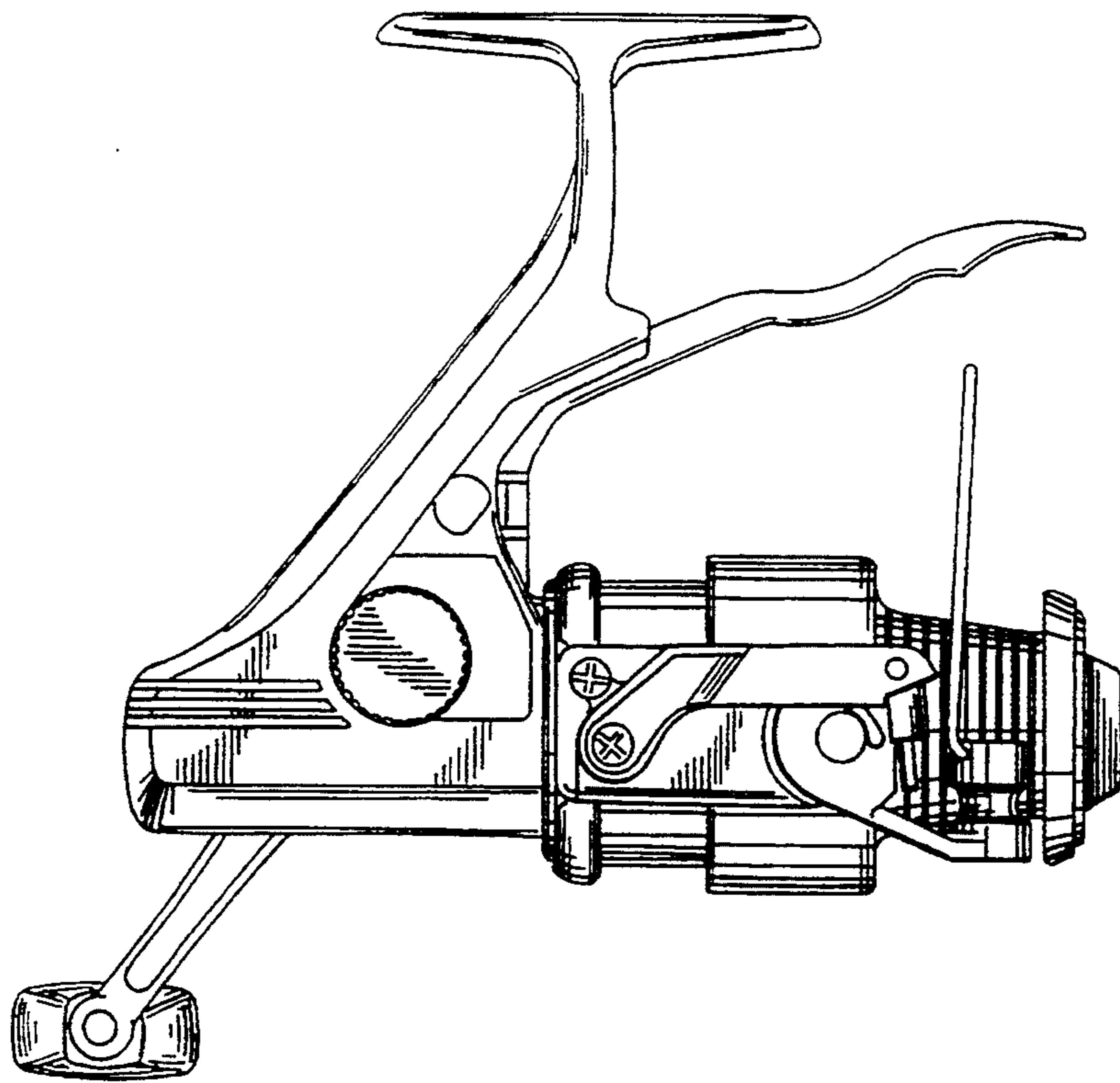


FIG. 2

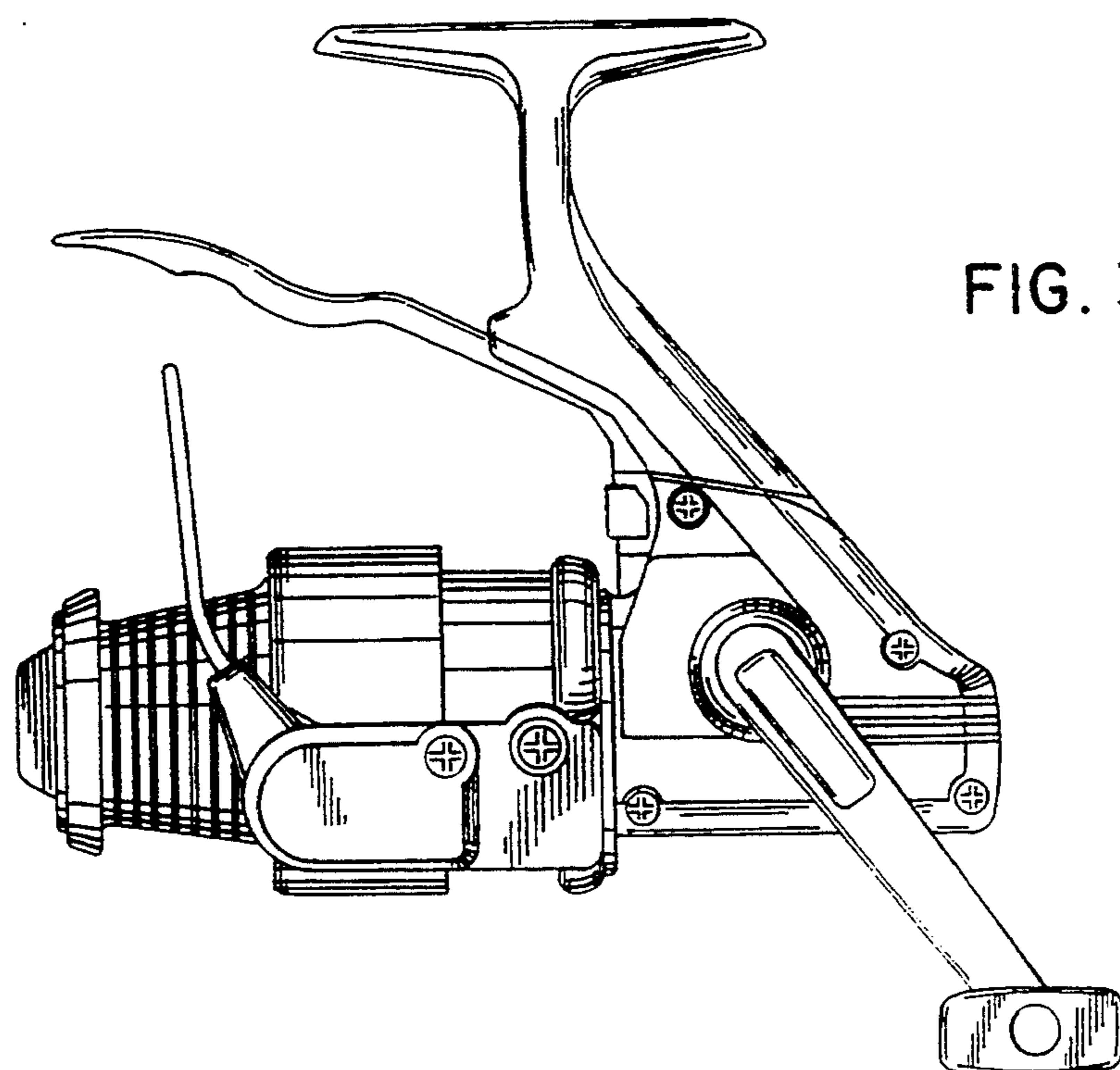


FIG. 3

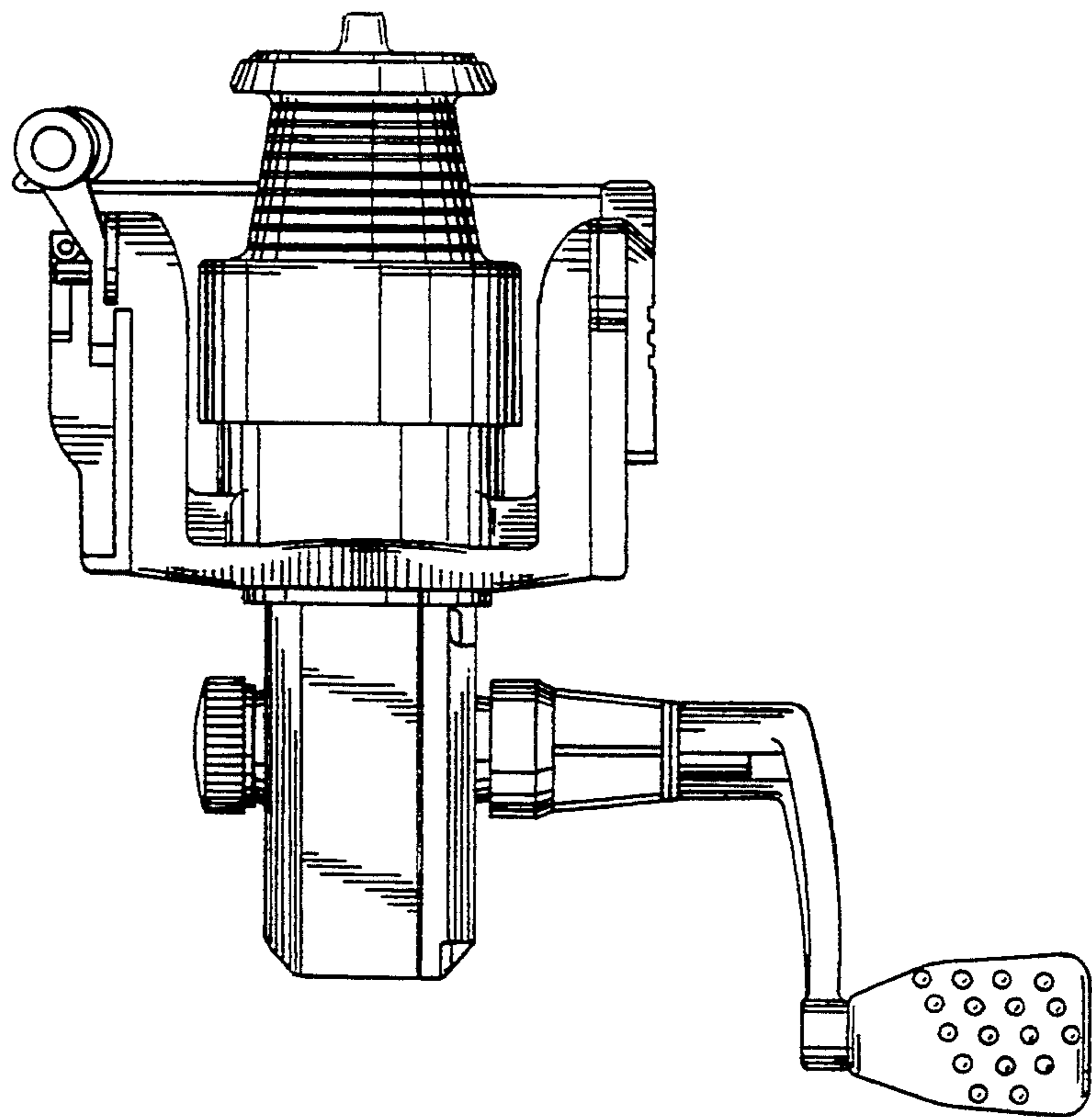


FIG. 4

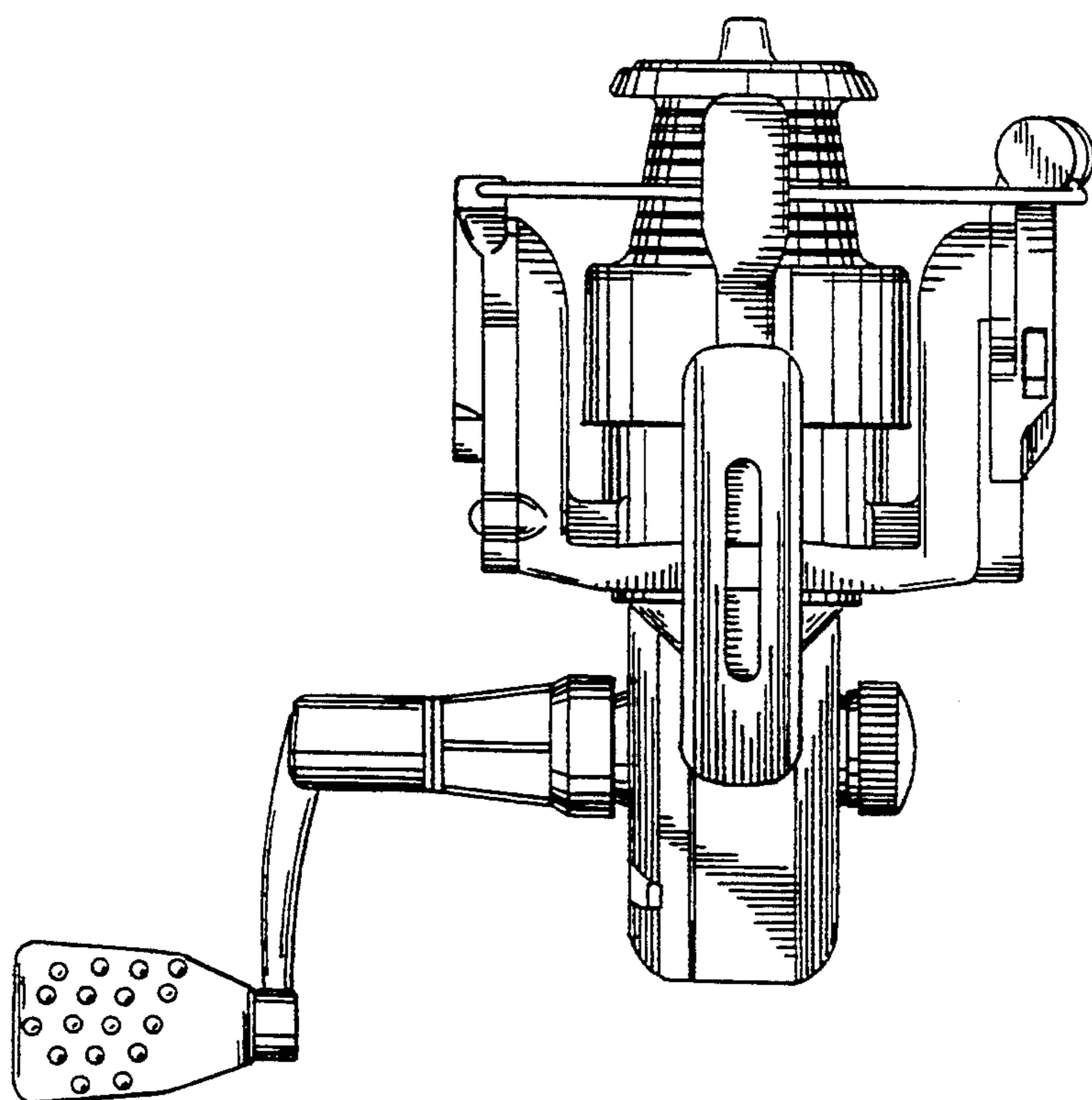


FIG. 5

FIG. 6

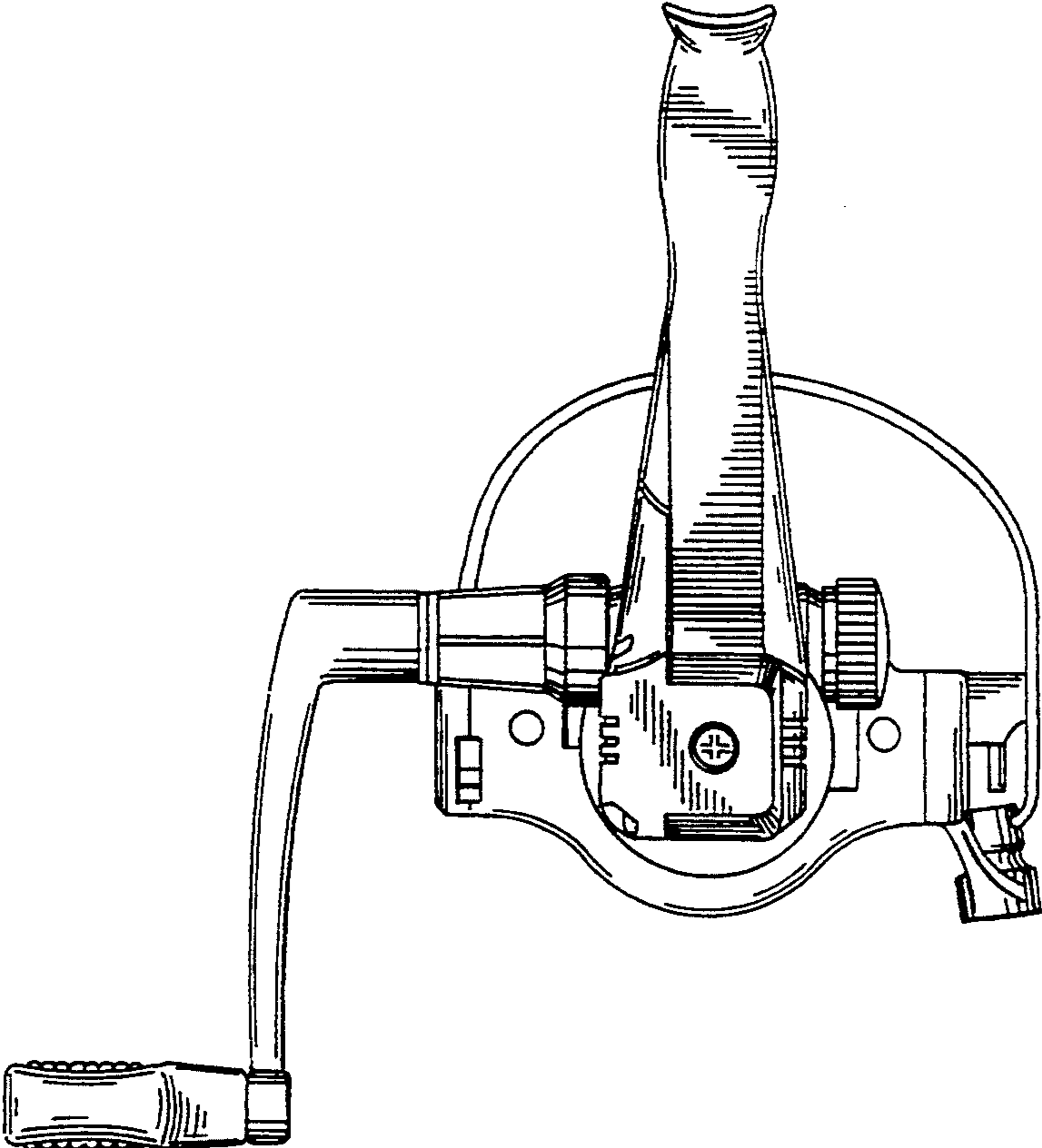
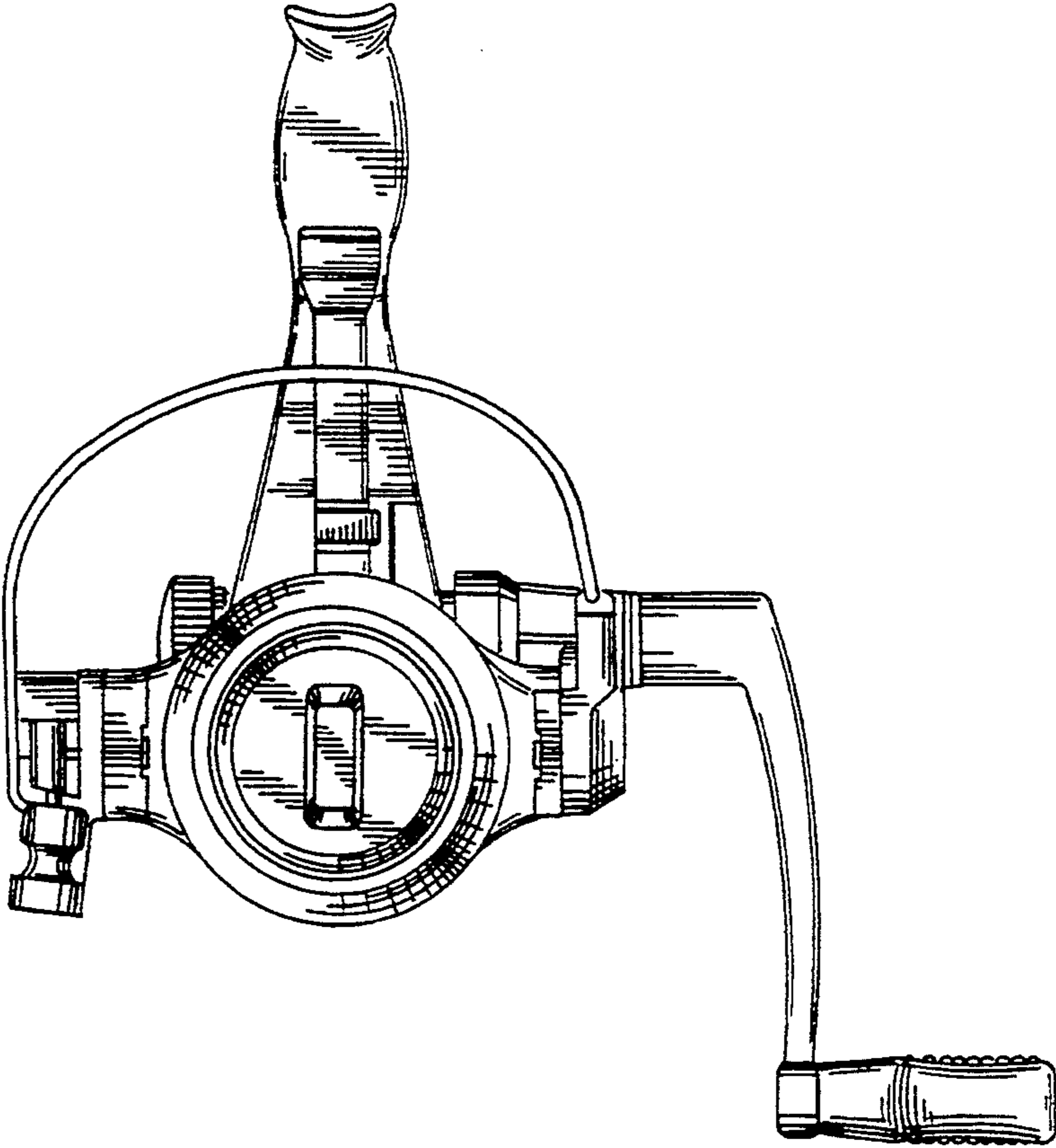


FIG. 7