



US00D354321S

United States Patent [19]

[11] Patent Number: **Des. 354,321**

Clem

[45] Date of Patent: **** Jan. 10, 1995**

[54] STAIRCLIMBER EXERCISE

[75] Inventor: **William E. Clem, Bothell, Wash.**

[73] Assignee: **Tunturi, Inc., Redmond, Wash.**

[**] Term: **14 Years**

[21] Appl. No.: **7,302**

[22] Filed: **Apr. 19, 1993**

[52] U.S. Cl. **D21/195**

[58] Field of Search **D21/191, 194, 195;
482/51, 52, 54**

[56] References Cited

U.S. PATENT DOCUMENTS

D. 304,358	10/1989	Armstrong et al.	D21/195
D. 319,085	8/1991	Kuo	D21/195
D. 328,770	8/1992	Henderson et al.	D21/195
D. 341,859	11/1993	Easley et al.	D21/195
5,040,786	8/1991	Jou	482/128

OTHER PUBLICATIONS

Best Catalog, 1991, p. 381, Stepper Exercisers, 9 through 14, Rm 10A09.

Service Merchandise Catalog, 1992, Stepper Exercisers 1 through 6, Rm 10A09.

Primary Examiner—Bernard Ansher

Assistant Examiner—Philip Hyder

Attorney, Agent, or Firm—Graybeal Jackson Haley & Johnson

[57] CLAIM

The ornamental design for a stairclimber exerciser, as shown.

DESCRIPTION

FIG. 1 is an isometric view, from a forward and upper aspect, showing my new design;

FIG. 2 is an isometric view thereof, from a rear and right side aspect;

FIG. 3 is an isometric view thereof, from a rear and upper left side aspect;

FIG. 4 is a front elevational view thereof;

FIG. 5 is a rear elevational view thereof;

FIG. 6 is a top plan view thereof; and,

FIG. 7 is a bottom plan view thereof.

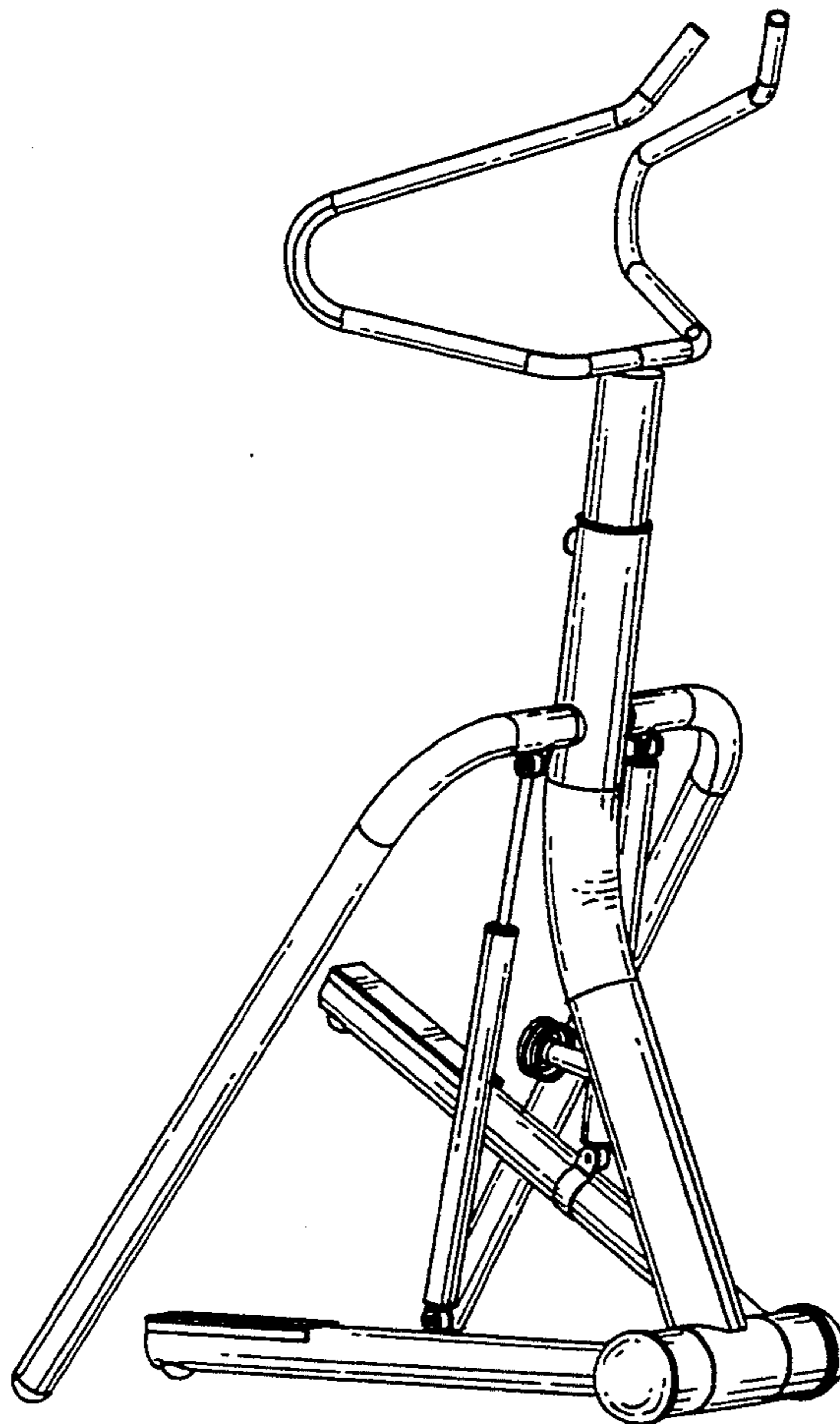


FIG. 1

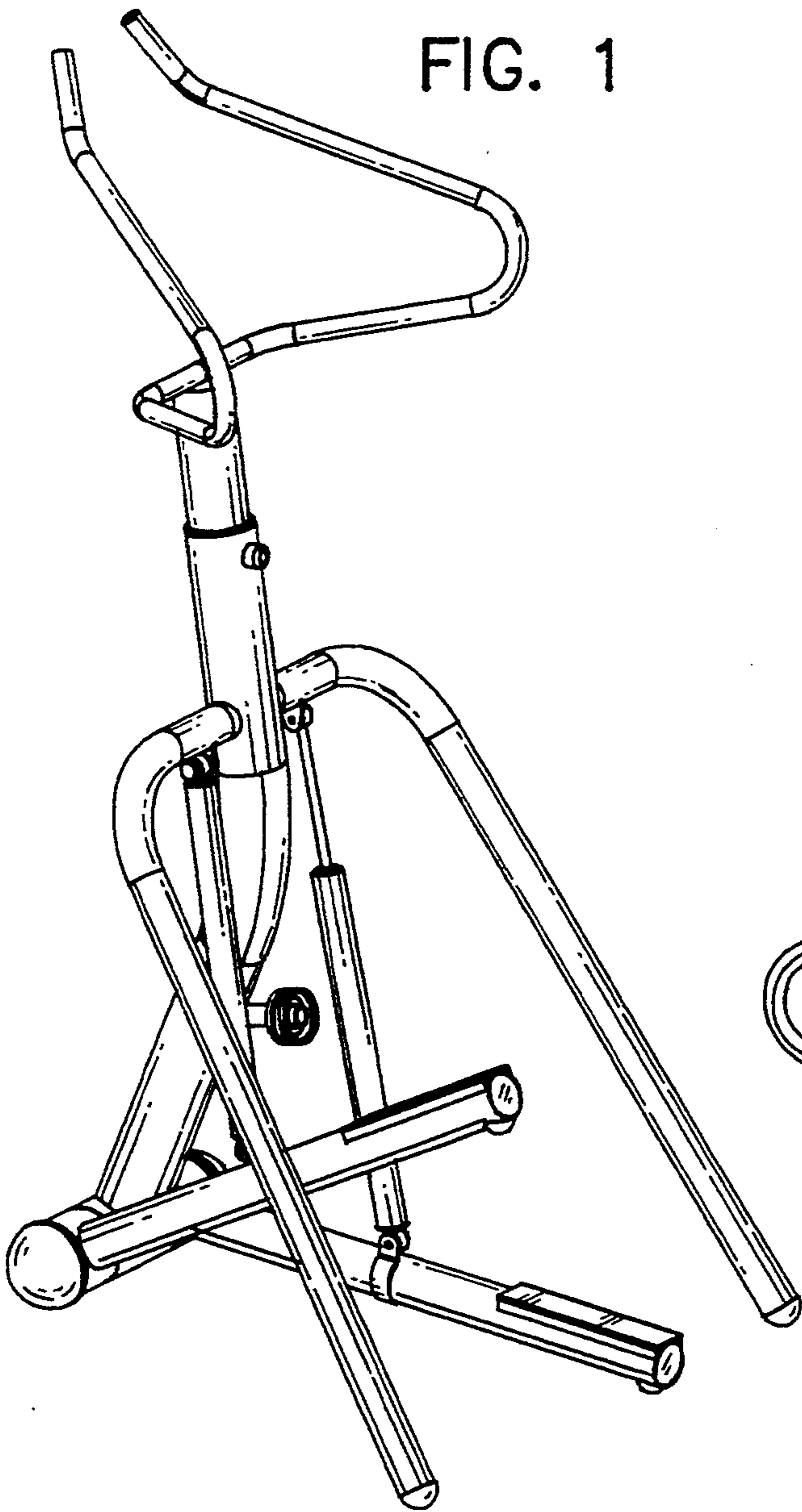


FIG. 2

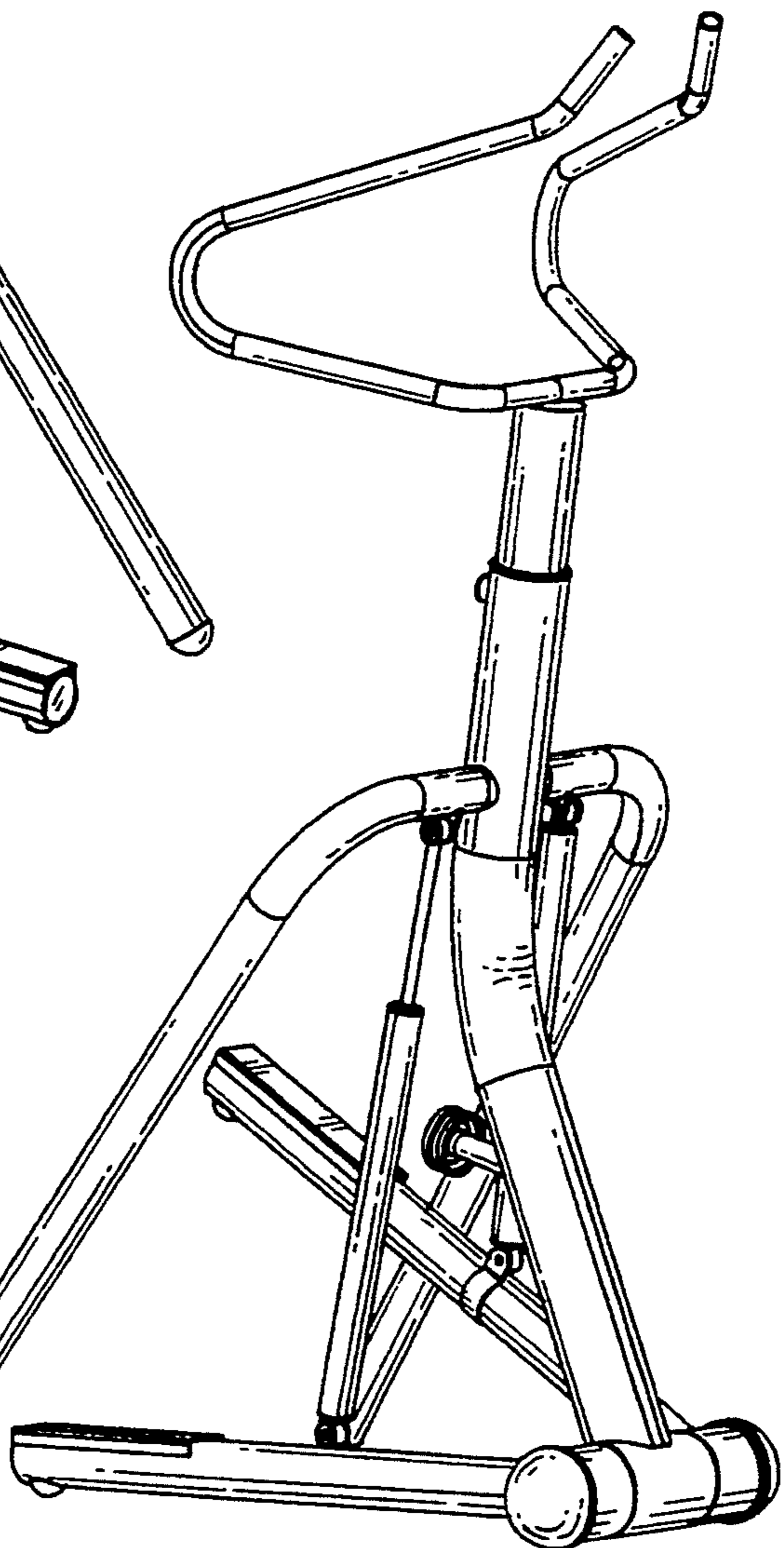


FIG. 4

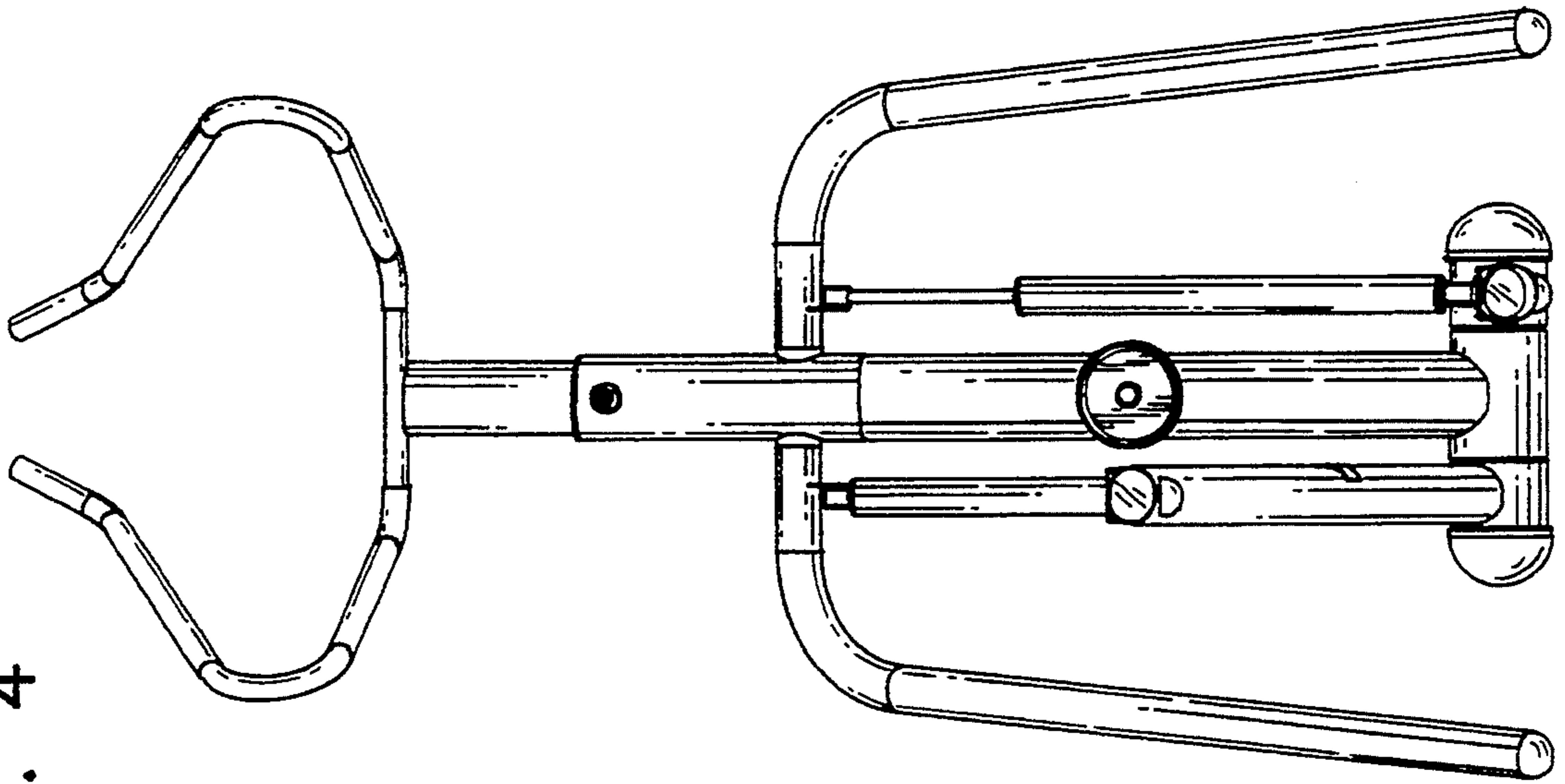
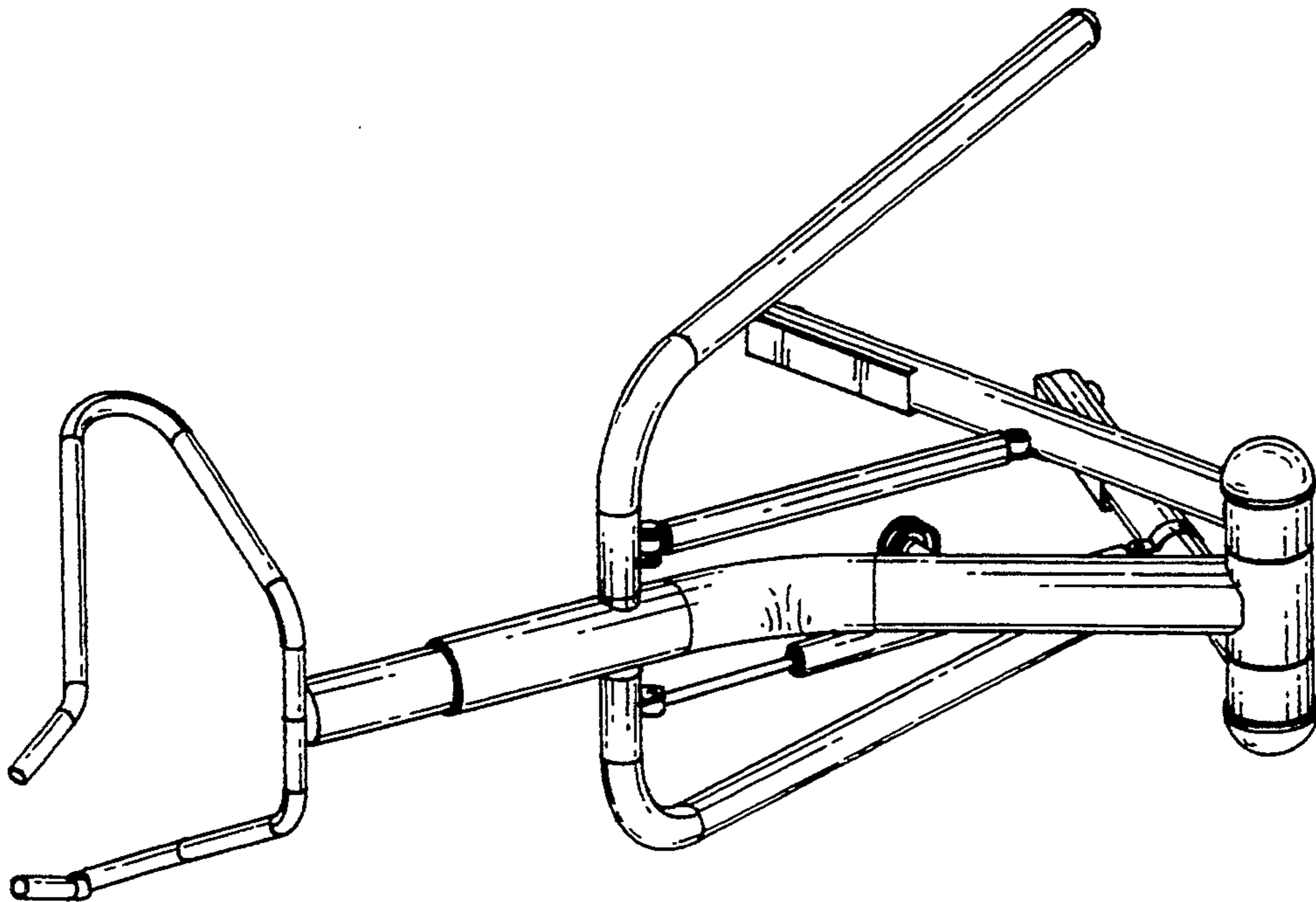


FIG. 3



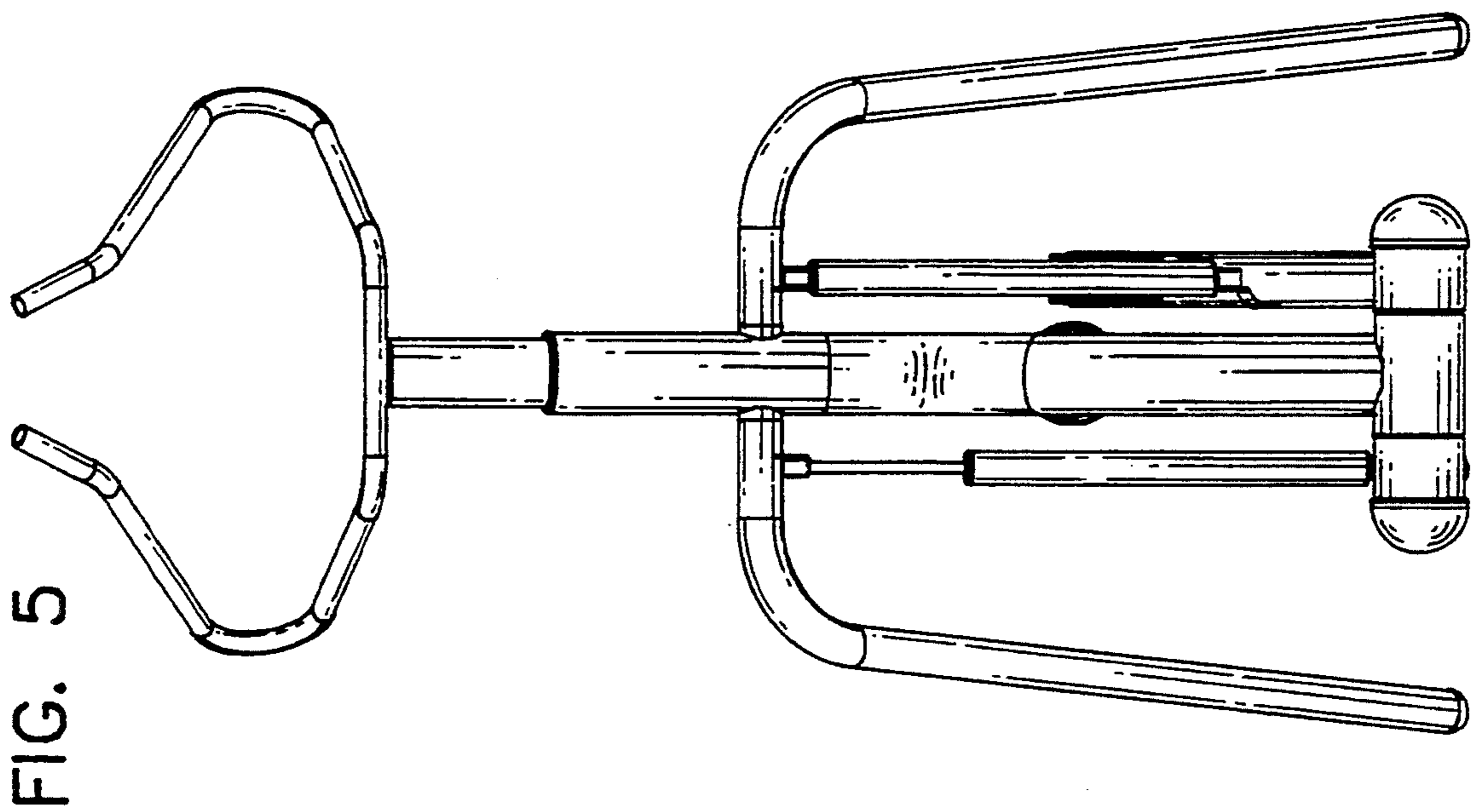


FIG. 6

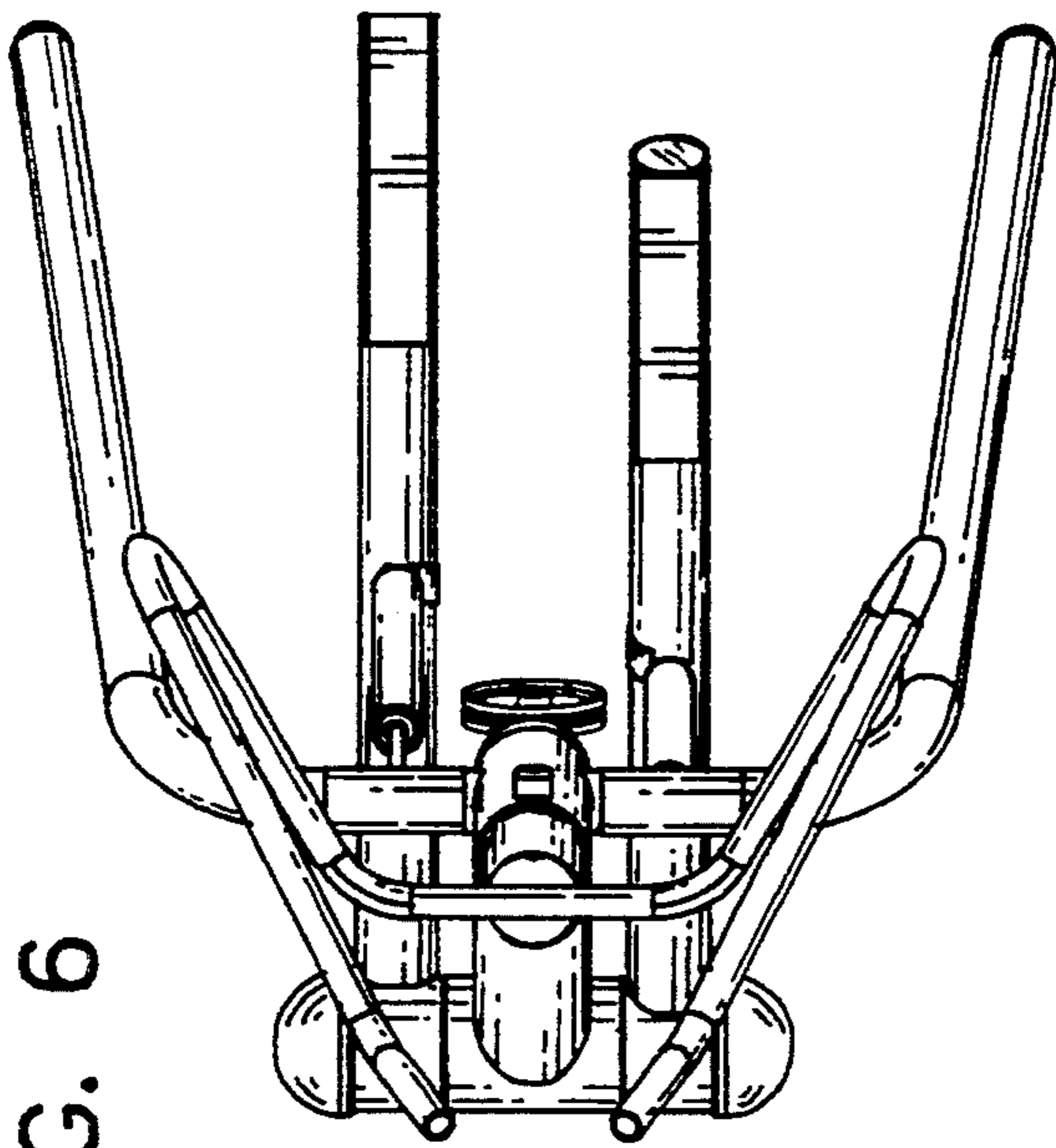


FIG. 7

