



US00D354319S

# United States Patent [19]

[11] Patent Number: **Des. 354,319**

Wilson

[45] Date of Patent: **\*\* Jan. 10, 1995**

[54] **TOY BUILDING BLOCK**

2,631,747	3/1953	Stolte .....	446/125
3,005,282	10/1961	Christiansen .....	446/128
4,037,978	7/1977	Connelly .....	446/116
4,685,892	8/1987	Gould .....	446/116

[75] Inventor: **Warren S. Wilson**, Marleston, Australia

[73] Assignee: **Better Blocks International Limited**, Auckland, New Zealand

[\*\*] Term: **14 Years**

[21] Appl. No.: **5,957**

[22] Filed: **Mar. 18, 1993**

[30] **Foreign Application Priority Data**

Sep. 28, 1992 [AU] Australia ..... 2726/92

[52] U.S. Cl. .... **D21/108**

[58] Field of Search ..... D21/108-109, D21/141; D19/59; 446/108, 110, 115-116, 120, 122, 124, 125, 128, 478; 434/172

[56] **References Cited**

**U.S. PATENT DOCUMENTS**

D. 261,785	11/1981	Nakao .....	D21/108
D. 311,641	10/1990	Martin .....	D22/107
2,119,921	6/1938	Levy .....	446/116

**OTHER PUBLICATIONS**

Matel Catalog 1987 p. 107 top of page.  
"Just for Kids" Catalog Fall 1990 #6 bottom of page.

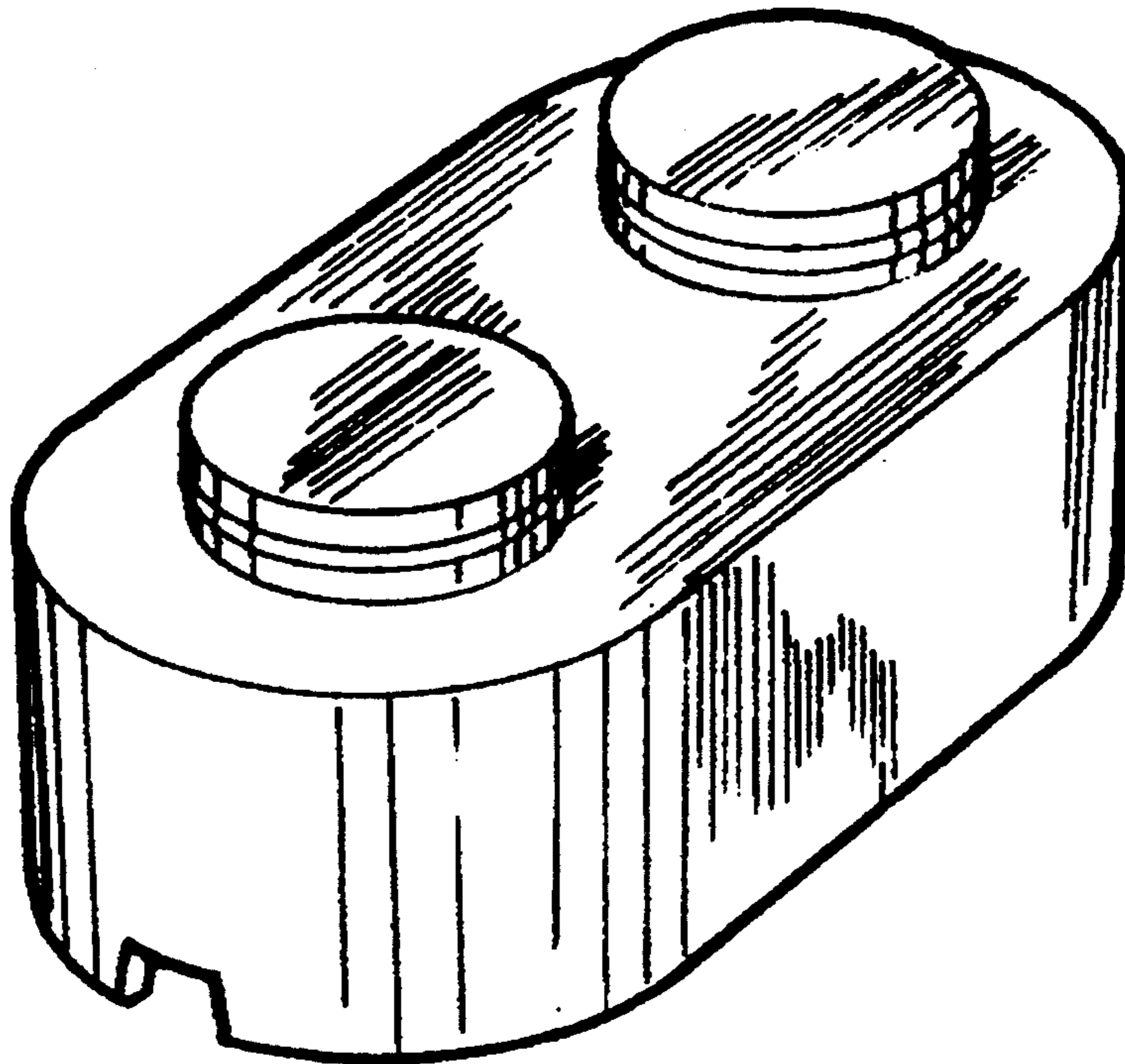
*Primary Examiner*—Bernard Ansher  
*Assistant Examiner*—R. Barkai  
*Attorney, Agent, or Firm*—Edward W. Callan

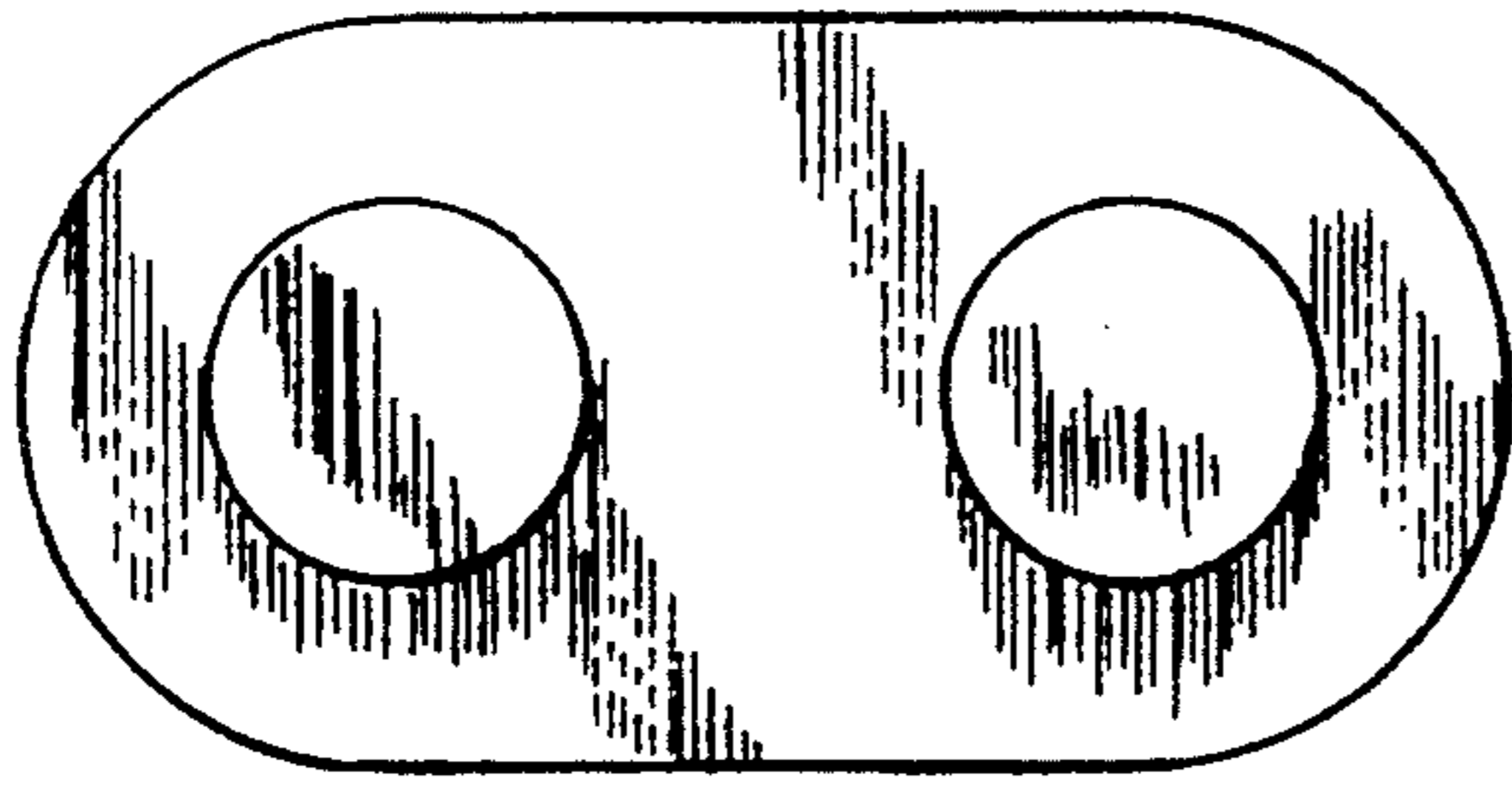
[57] **CLAIM**

The ornamental design for a toy building block, as shown and described.

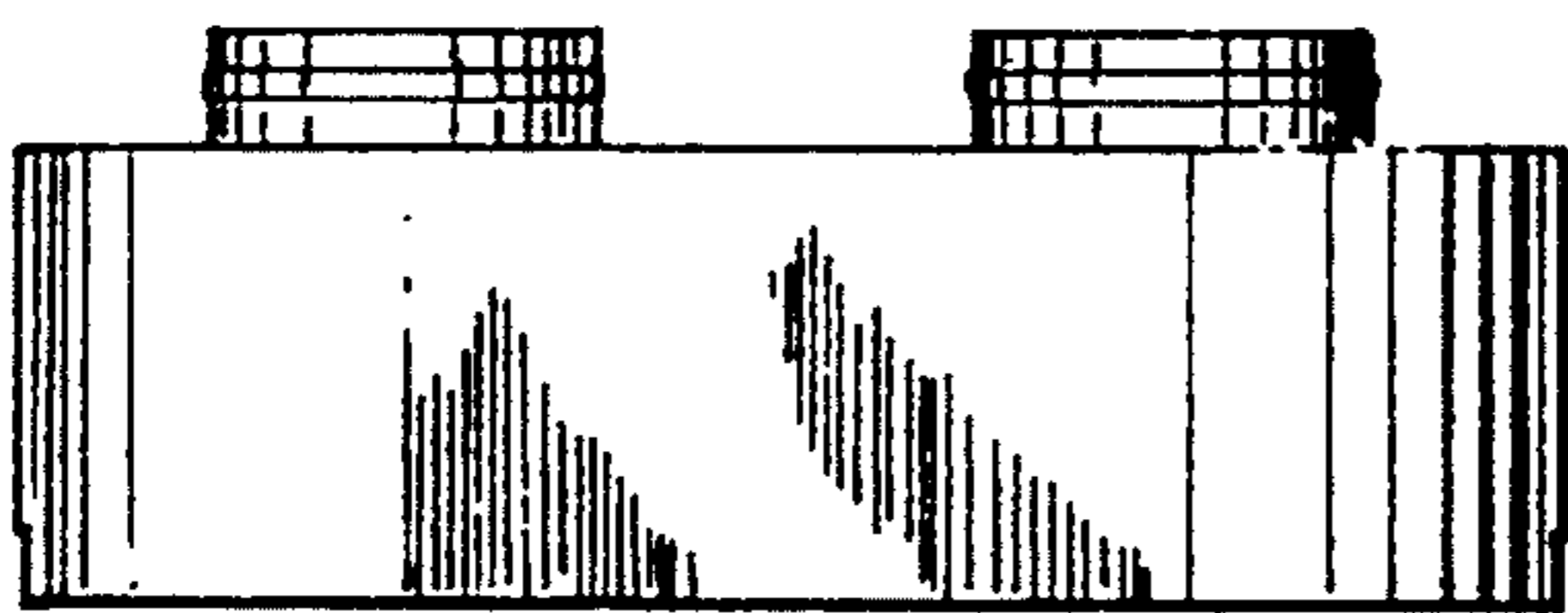
**DESCRIPTION**

FIG. 1 is a top view of the toy building block; FIG. 2 is a side view of the toy building block; FIG. 3 is an end view of the toy building block; FIG. 4 is an underside view of the toy building block; FIG. 5 is a top perspective view of the toy building block; and, FIG. 6 is an underside perspective view of the toy building block.

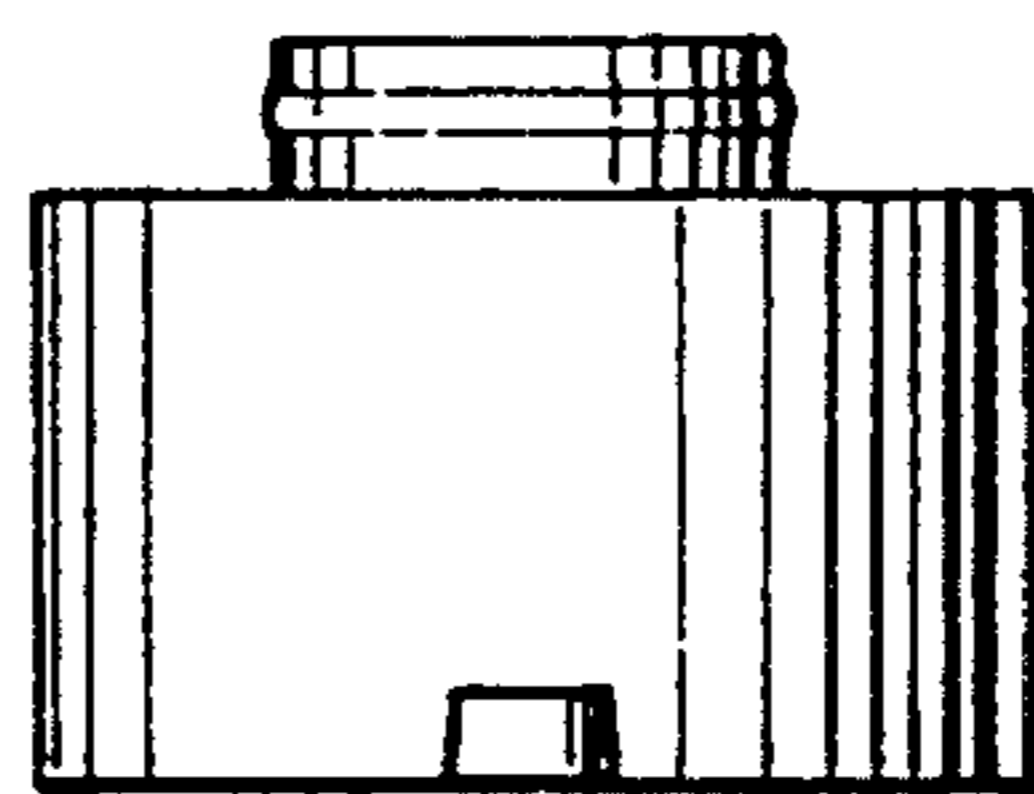




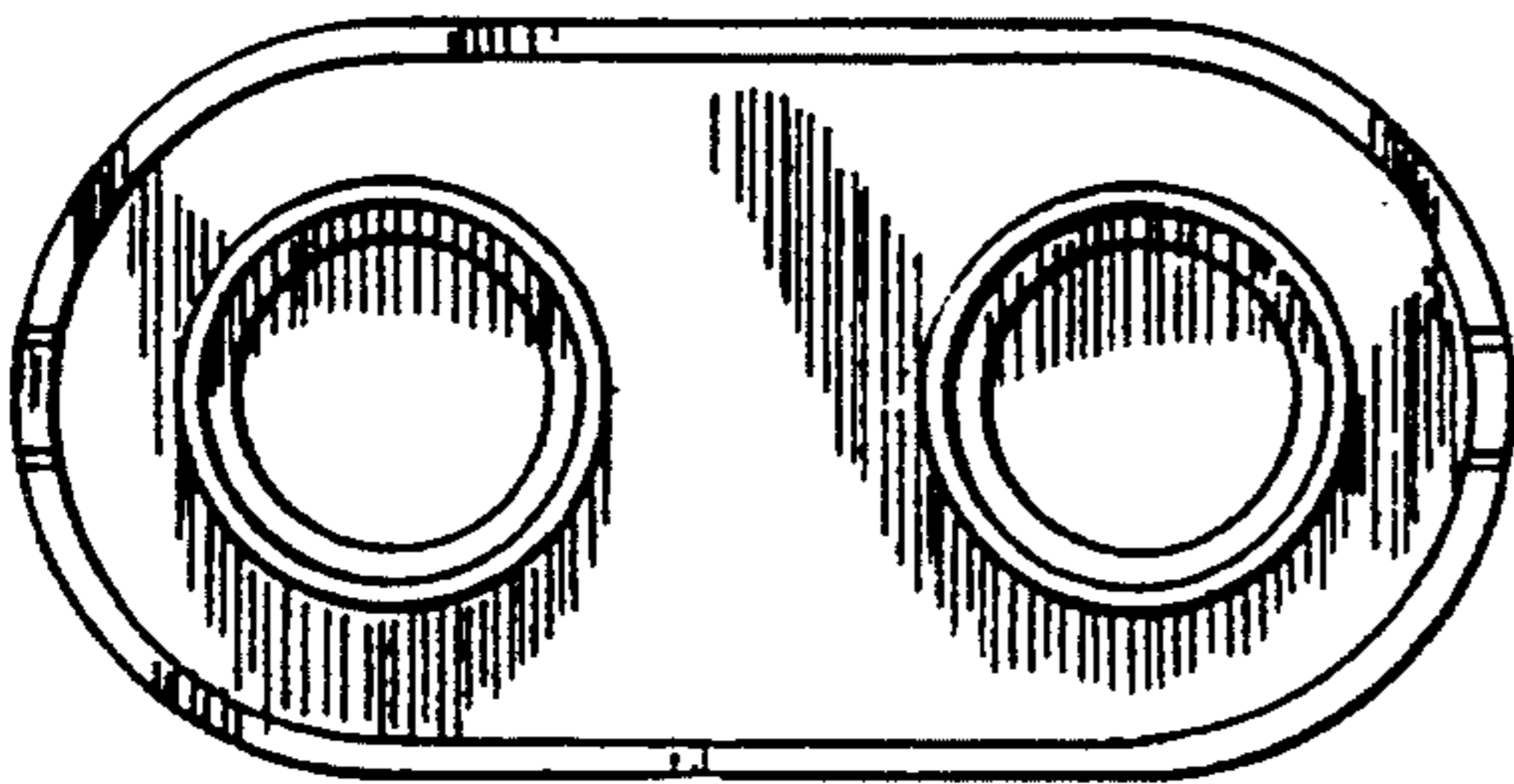
**FIG 1**



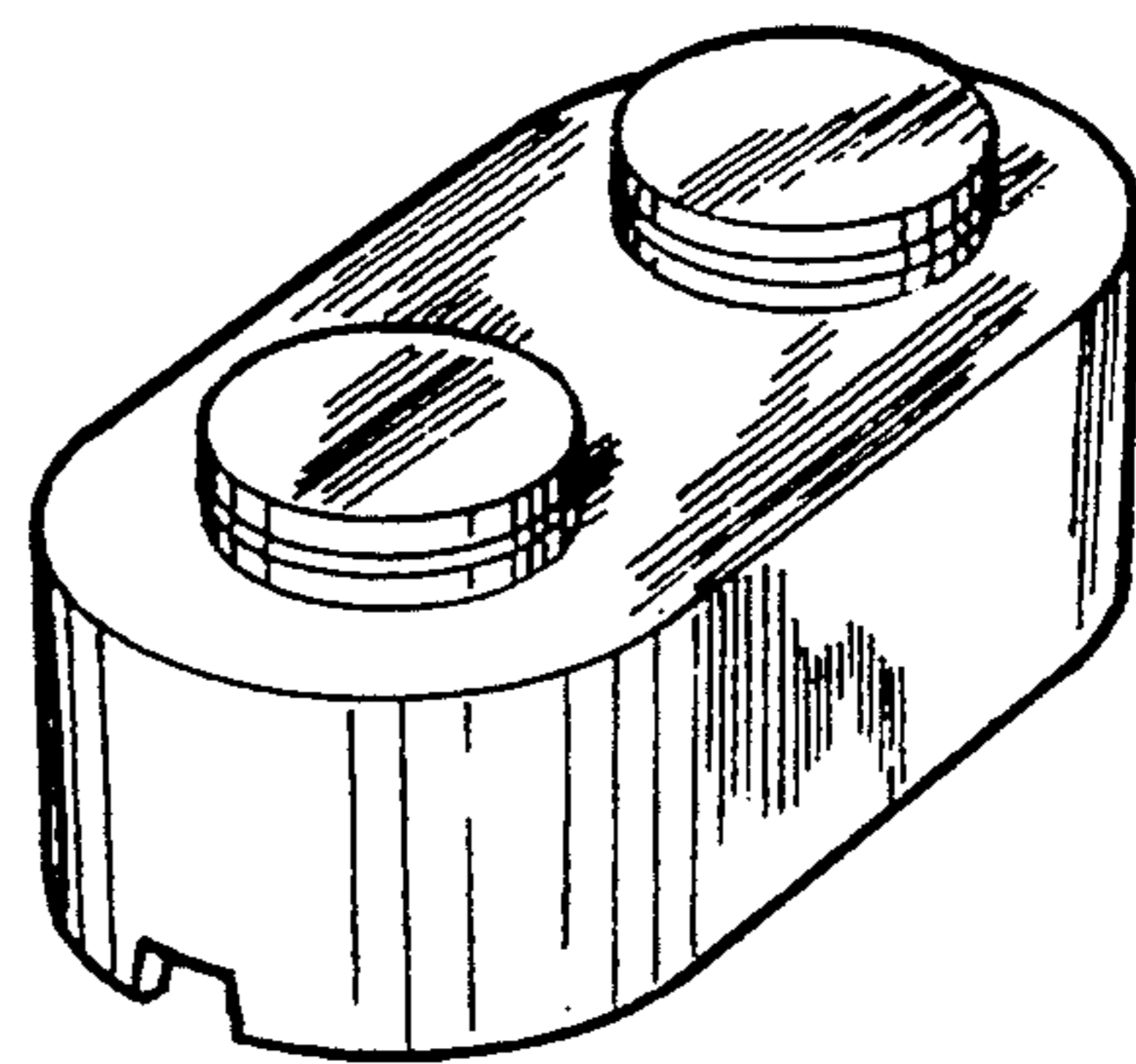
**FIG 2**



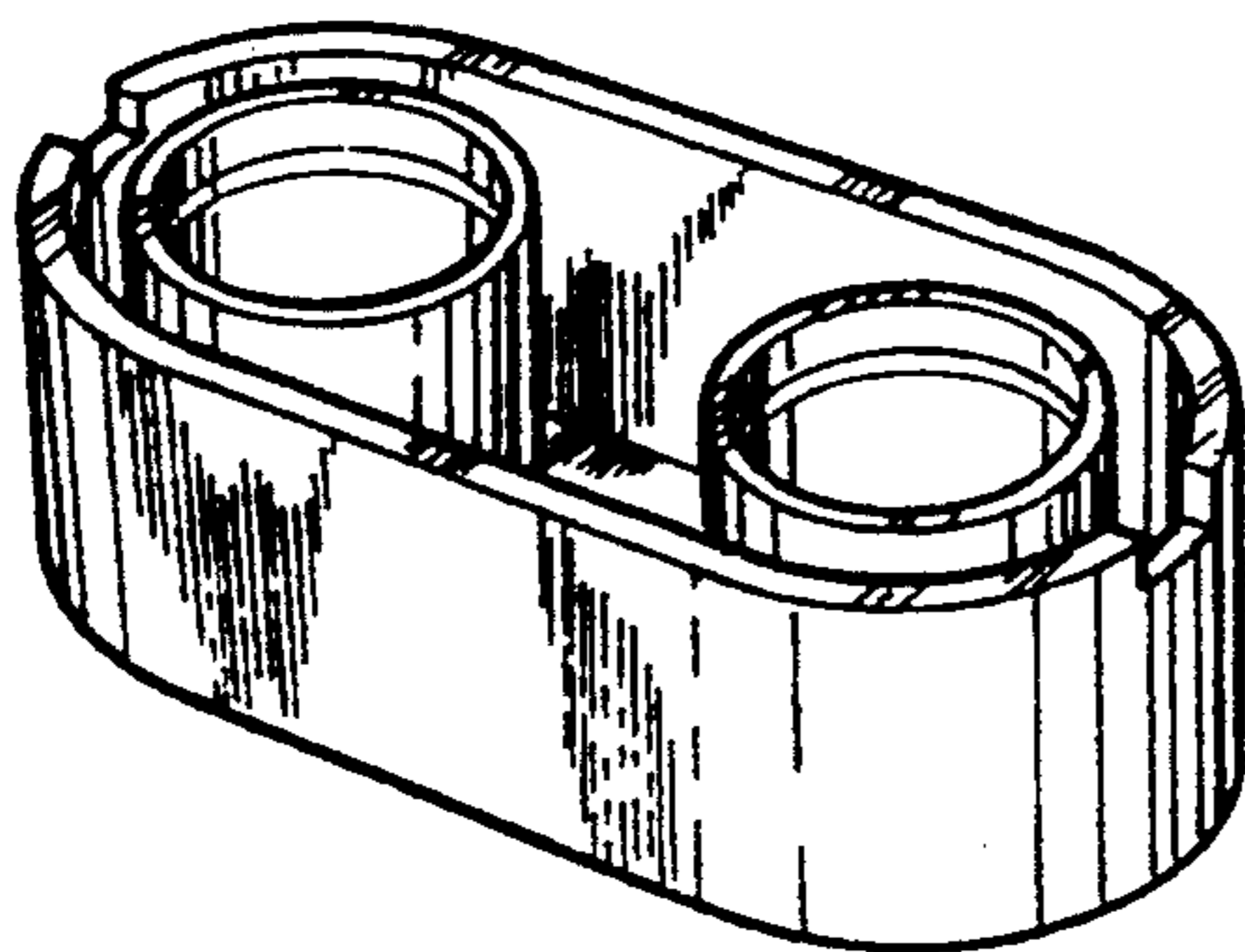
**FIG 3**



**FIG 4**



**FIG 5**



**FIG 6**