



US00D354313S

# United States Patent [19]

[11] Patent Number: **Des. 354,313**

Schmitt

[45] Date of Patent: **\*\* Jan. 10, 1995**

[54] **BLANK FOR CHANGEABLE ALPHA NUMERIC CHARACTERS**

3,407,525	10/1968	Connell .....	40/618
3,574,964	4/1971	Ownbey .....	40/618
5,090,146	2/1992	Sandefur .....	40/618
5,257,472	11/1993	Harnois et al. ....	40/618

[75] Inventor: **David A. Schmitt, Hastings, Minn.**

[73] Assignee: **Gemini, Inc., Cannon Falls, Minn.**

[\*\*] Term: **14 Years**

*Primary Examiner*—Wallace R. Burke  
*Assistant Examiner*—Marcus Jackson  
*Attorney, Agent, or Firm*—Douglas L. Tschida

[21] Appl. No.: **3,535**

### [57] CLAIM

[22] Filed: **Jan. 15, 1993**

The ornamental design for a blank for changeable alpha numeric characters, as shown and described.

[52] U.S. Cl. .... **D20/12**

[58] Field of Search ..... D20/10, 11, 12, 39,  
D20/40, 42; 40/1, 649, 584, 617, 618, 621, 622,  
623, 624; D18/24, 26, 29

### DESCRIPTION

### [56] References Cited

#### U.S. PATENT DOCUMENTS

2,342,847	2/1944	Crosby .....	40/618
2,510,331	6/1950	Crosby .....	40/618
2,878,814	3/1959	Baldanza .....	D20/27
3,238,654	3/1966	Rosenak et al. ....	40/618

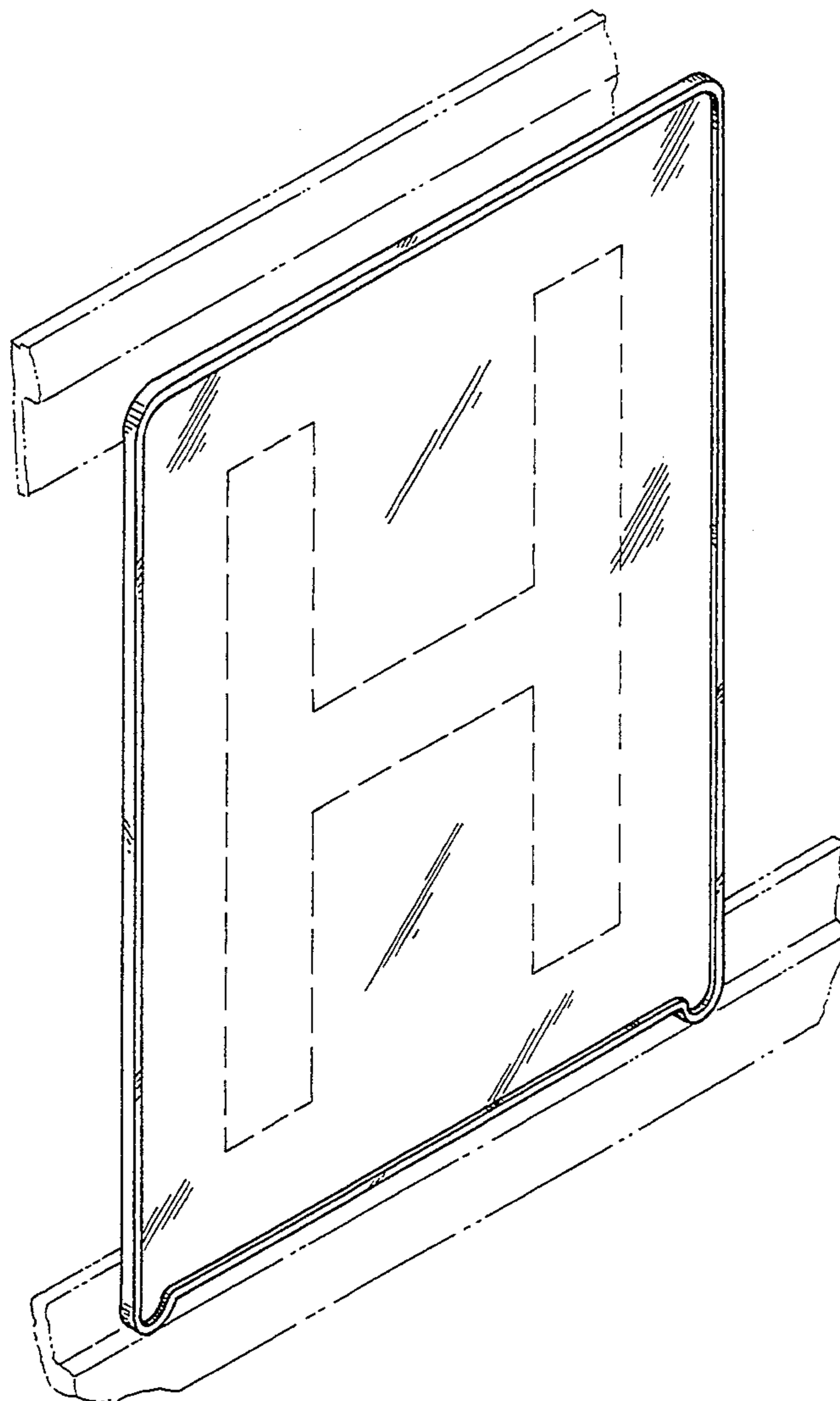
FIG. 1 is a front perspective view of a blank for changeable alpha numeric characters showing my new design with the broken line showing for illustrative purposes only and forming no part of the claimed design;

FIG. 2 is a rear plan view thereof;

FIG. 3 is a top plan view thereof;

FIG. 4 is a bottom plan view thereof; and

FIG. 5 is an enlarged partial front bottom left corner thereof.



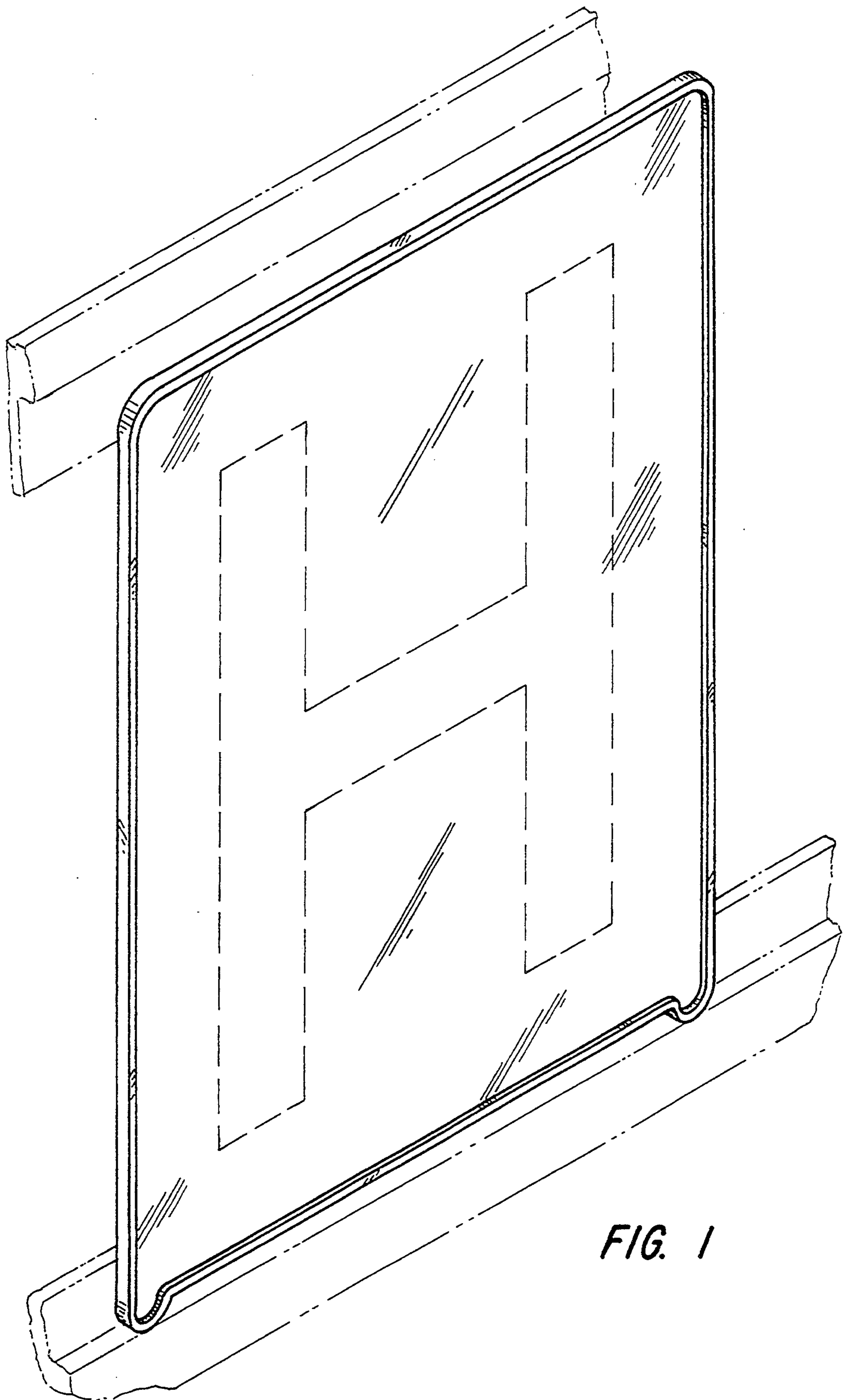
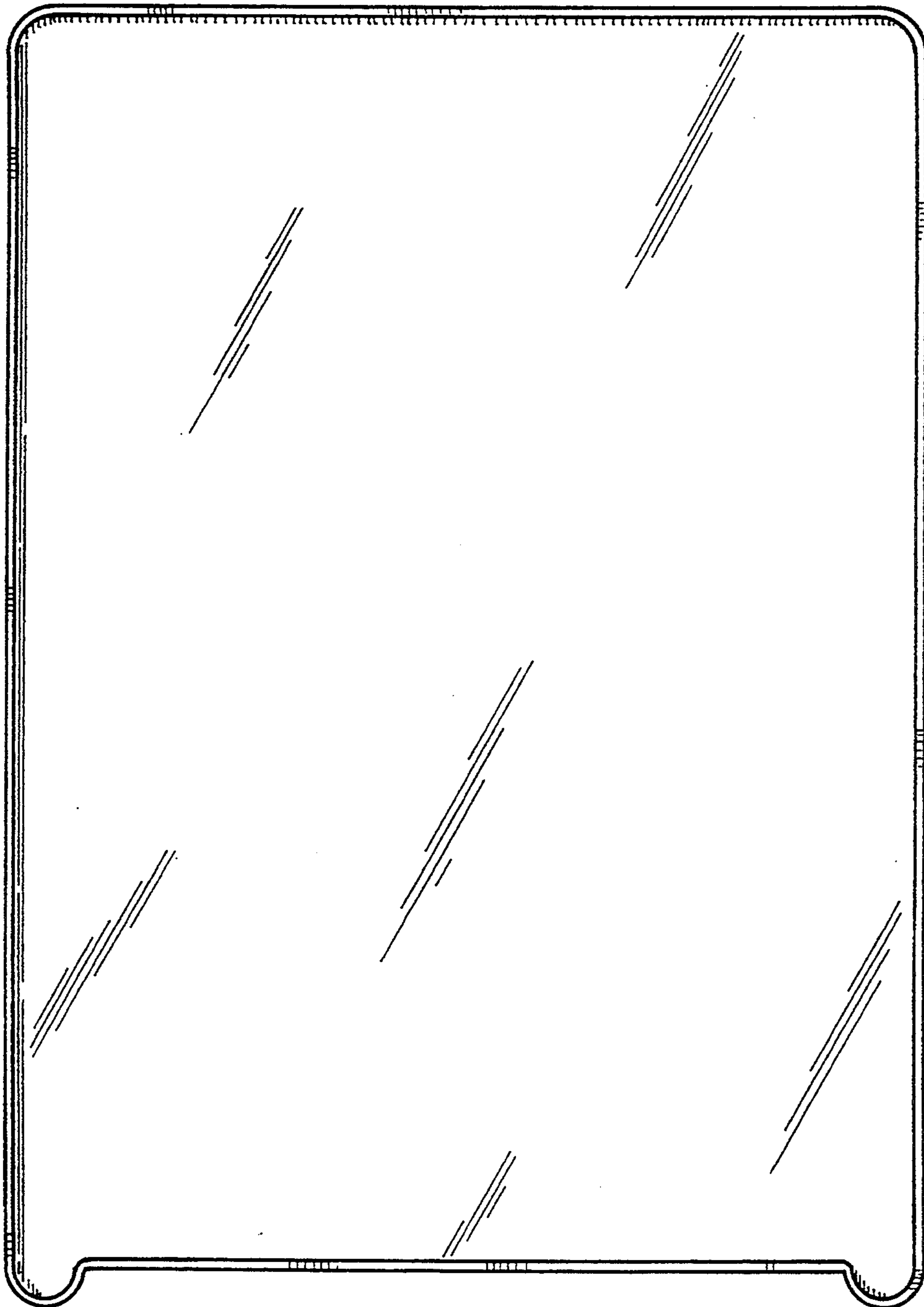
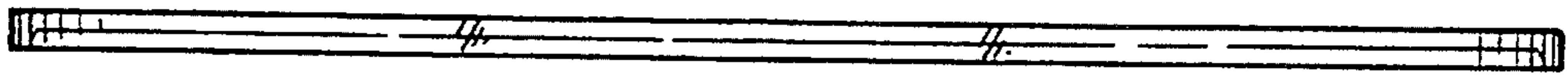


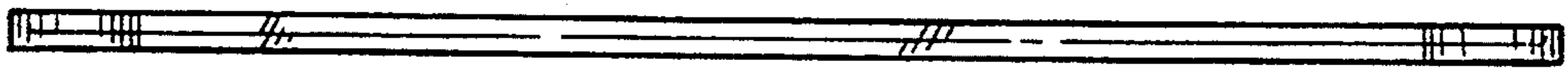
FIG. 1



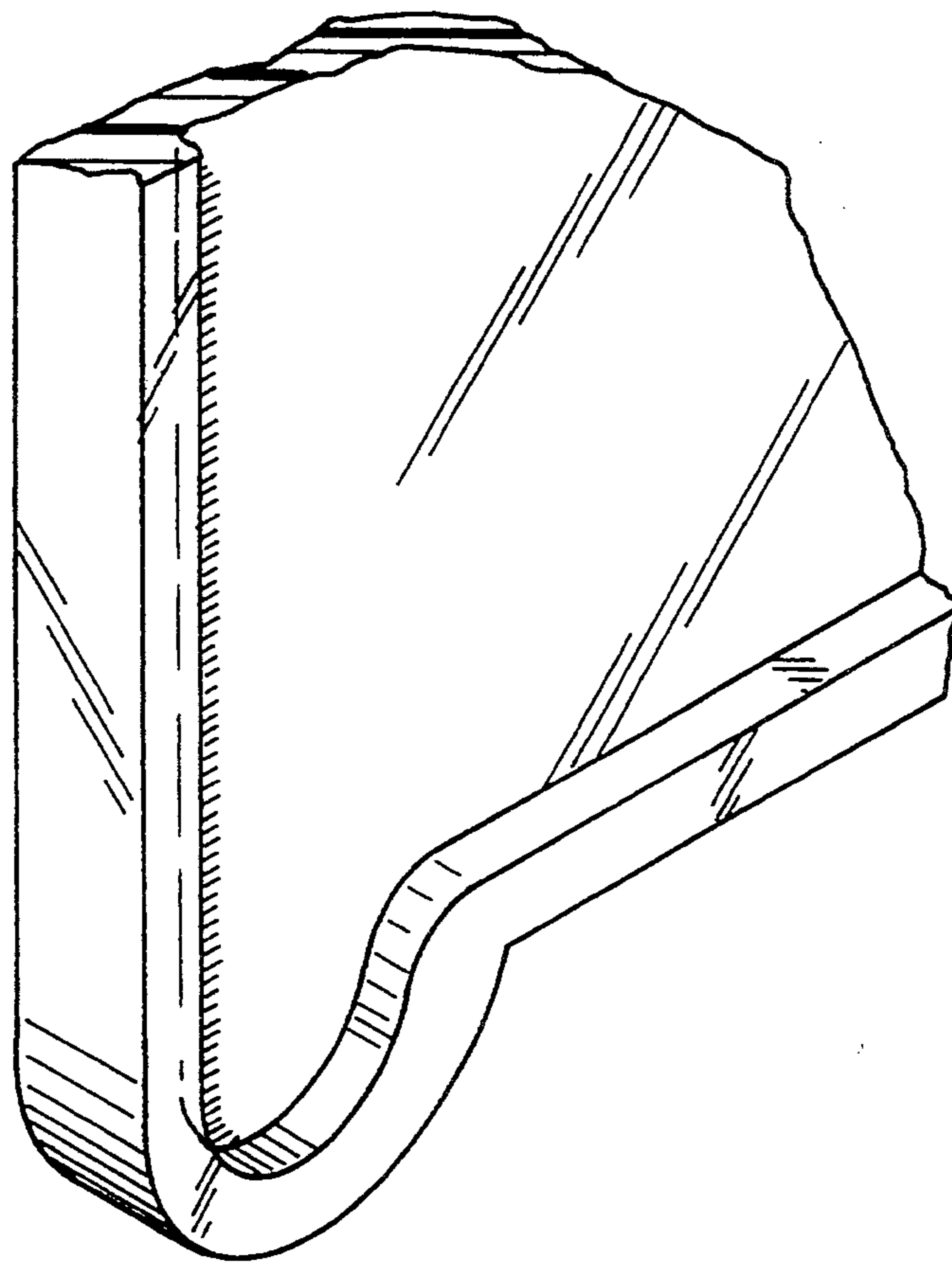
*FIG. 2*



*FIG. 3*



*FIG. 4*



**FIG. 5**