



US00D354312S

United States Patent [19]

[11] Patent Number: **Des. 354,312**

Pohlman

[45] Date of Patent: **** Jan. 10, 1995**

[54] **VERTICAL FILE FOR COMPUTER MONITOR**

[75] Inventor: **J. Kipton Pohlman**, Los Angeles, Calif.

[73] Assignee: **MicroComputer Accessories, Inc.**, Inglewood, Calif.

[**] Term: **14 Years**

[21] Appl. No.: **12,591**

[22] Filed: **Sep. 7, 1993**

[52] U.S. Cl. **D19/90; D6/567; D14/114**

[58] Field of Search **D6/553, 567, 573; D14/114; D19/65, 75, 78, 86, 90, 91, 99, 100; 211/45, 50, 55, 56, 88, 126, 128, 194; 312/234, 242, 245-247**

[56] **References Cited**

U.S. PATENT DOCUMENTS

D. 161,127	12/1950	Robins	D6/553
D. 180,863	8/1957	Collins	D19/90
D. 249,353	9/1978	Juergens et al.	D19/90
D. 257,752	1/1981	Rabig	D6/510
D. 268,119	3/1983	Evenson	D19/77
D. 284,482	7/1986	Sun	D19/90
D. 290,141	6/1987	Rabig	D19/90
D. 295,638	5/1988	Evenson	D19/90
D. 304,462	11/1989	Evans	D19/90
D. 306,041	2/1990	Evenson	D19/90
D. 307,159	4/1990	Foran et al.	D19/90
D. 309,066	7/1990	Foran et al.	D6/466
D. 313,430	1/1991	Evenson	D19/90
D. 314,114	1/1991	Steinman	D6/567

D. 323,190	1/1992	Evenson	D19/90
D. 328,761	8/1992	Evenson	D19/90
D. 332,971	2/1993	Evenson	D6/567 X
D. 334,413	3/1993	Feer	D19/99
D. 339,825	9/1993	Hwang	D19/90
D. 340,079	10/1993	Aaldenberg	D19/90
3,570,677	3/1971	George	211/88 X
4,074,810	2/1978	Juergens et al.	211/11
4,588,094	5/1986	Evans	211/55
4,828,120	5/1989	Beil et al.	211/88
4,901,912	2/1990	Pinard	211/88 X
4,955,488	9/1990	Nicoll	211/128
4,974,733	12/1990	Evans	211/11
5,085,328	2/1992	Evenson	211/55
5,101,987	4/1992	Twedt	211/55

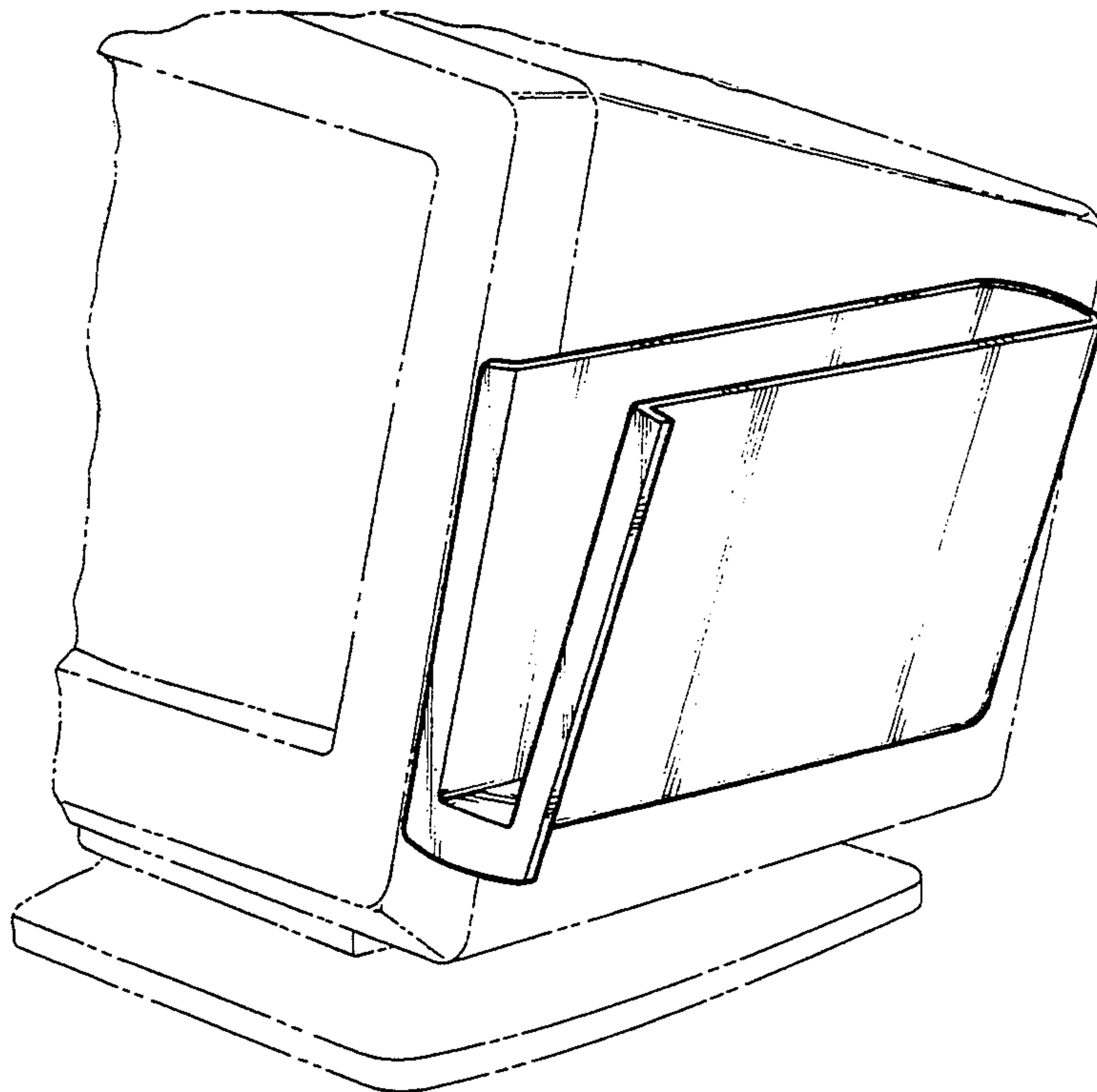
Primary Examiner—Martie Thompson
Attorney, Agent, or Firm—Richard B. O'Planick; Lisa B. Riedesel

[57] **CLAIM**

The ornamental design for a vertical file for computer monitor, as shown and described.

DESCRIPTION

FIG. 1 is a top, right front perspective view of a vertical file for computer monitor showing my new design, the partial showing of a computer monitor depicted by means of broken lines being shown for illustrative purposes only and forming no part of the claimed design. FIG. 2 is a front elevational view thereof; FIG. 3 is a right side elevational view thereof; FIG. 4 is a top plan view thereof; FIG. 5 is a left side elevational view thereof; FIG. 6 is a bottom plan view thereof; and, FIG. 7 is a rear elevational view thereof.



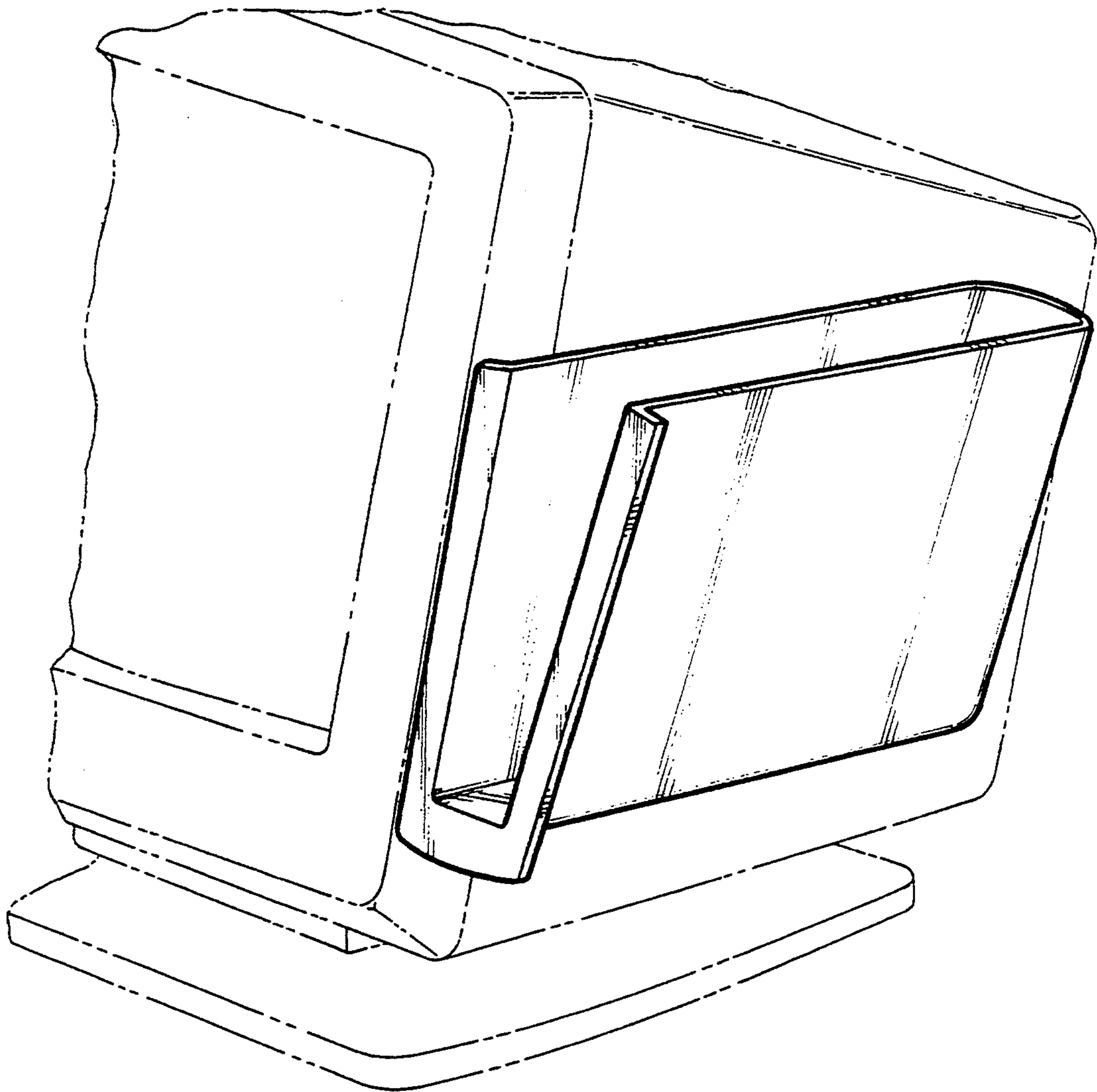


Fig-1

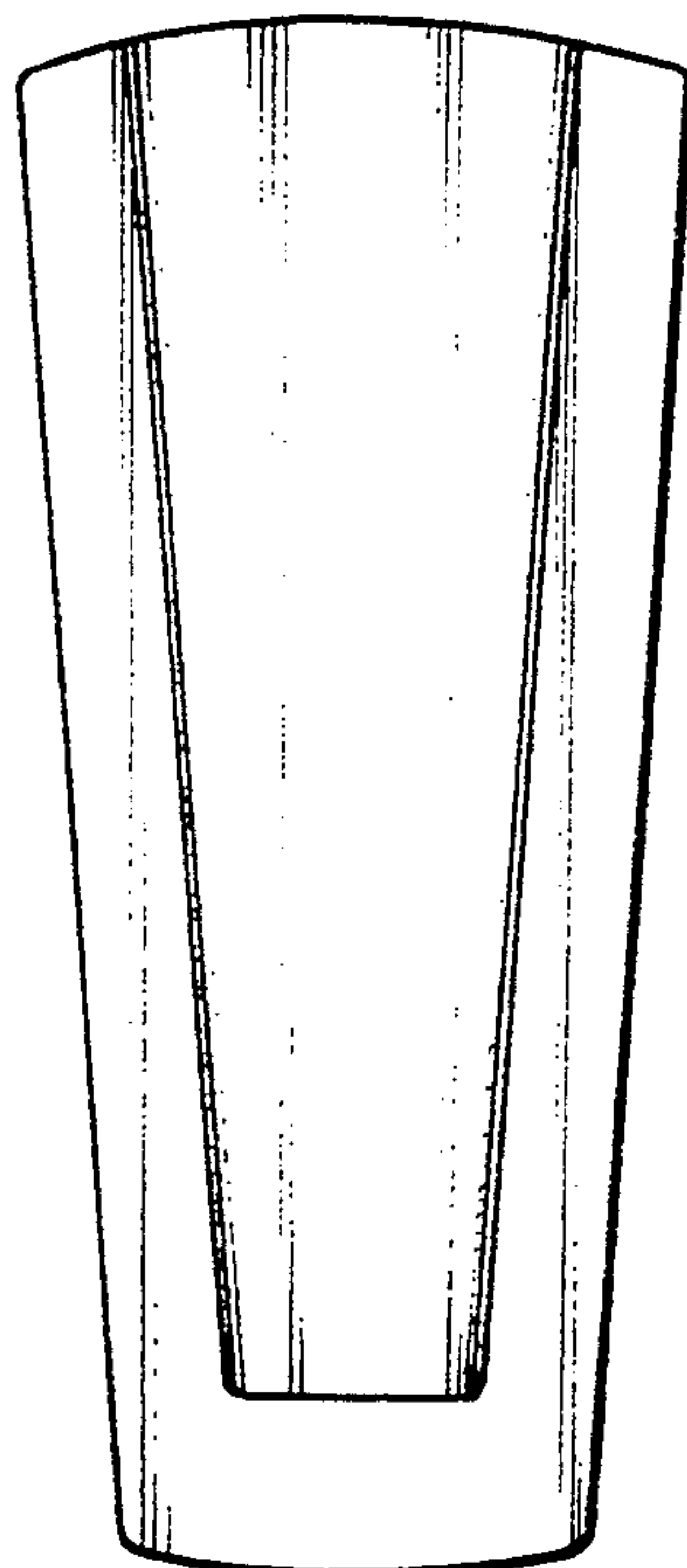


Fig-2

Fig-3

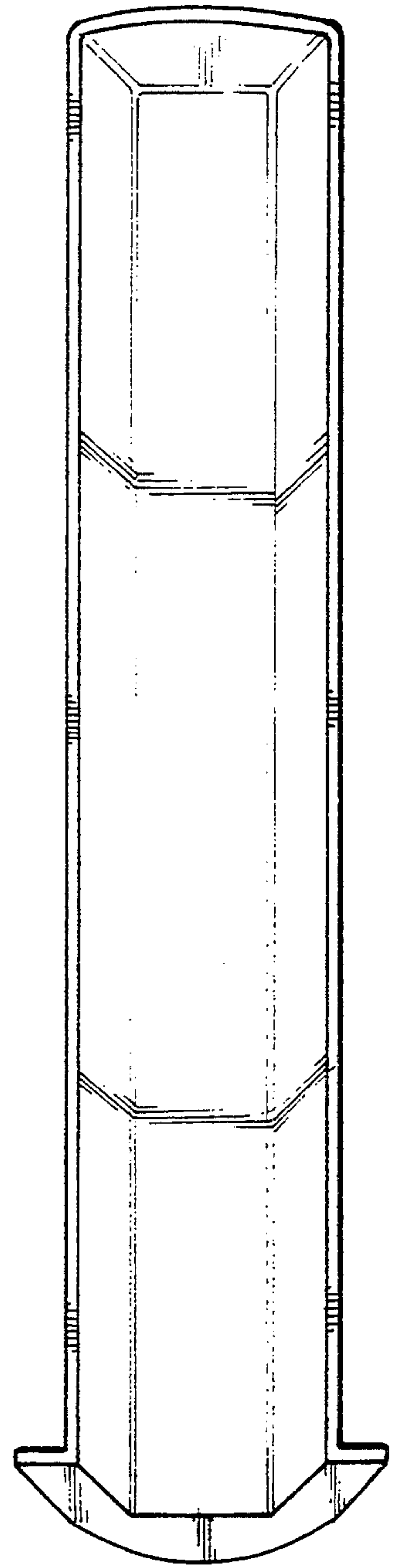
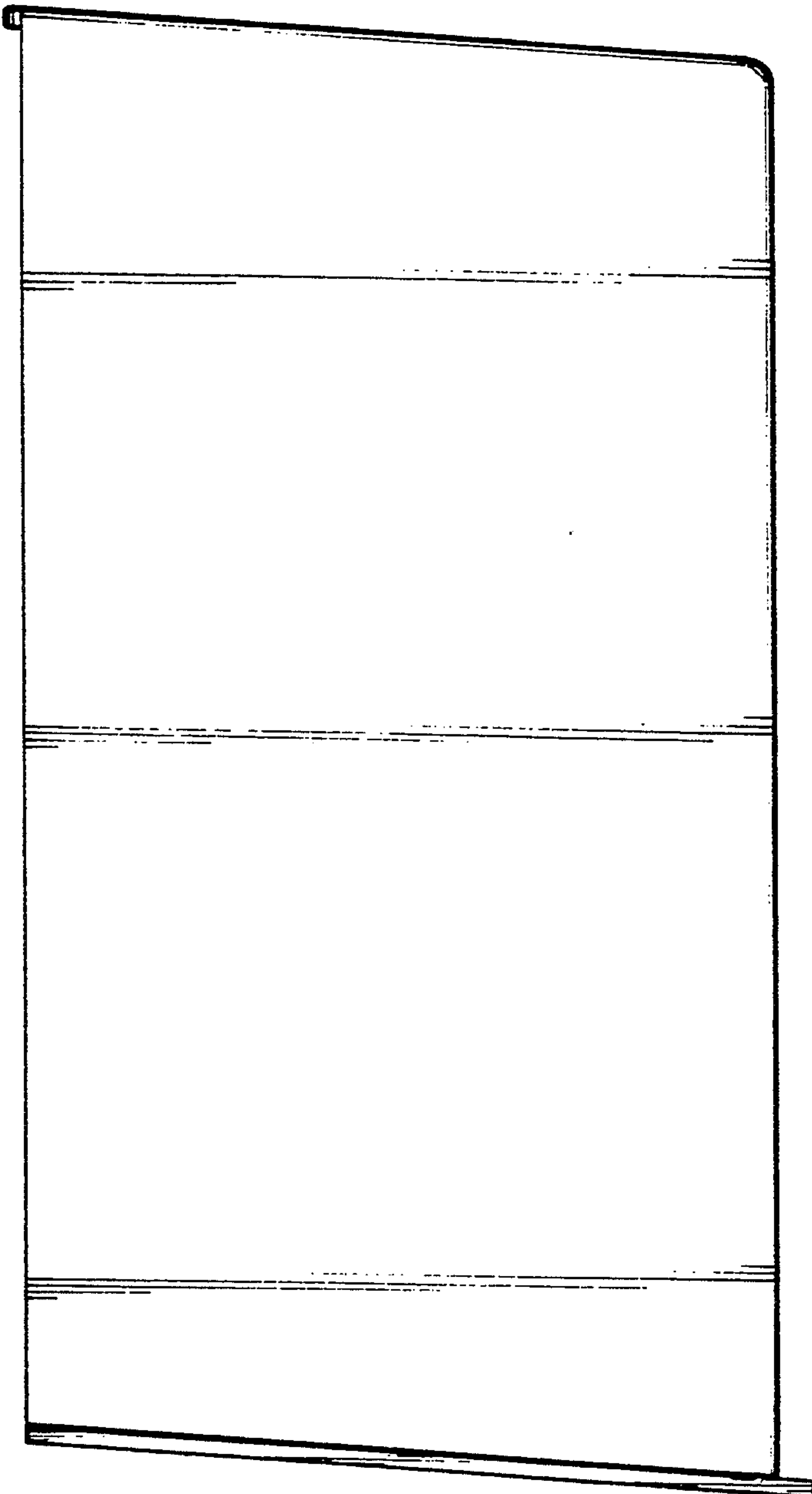


Fig-4

Fig-5

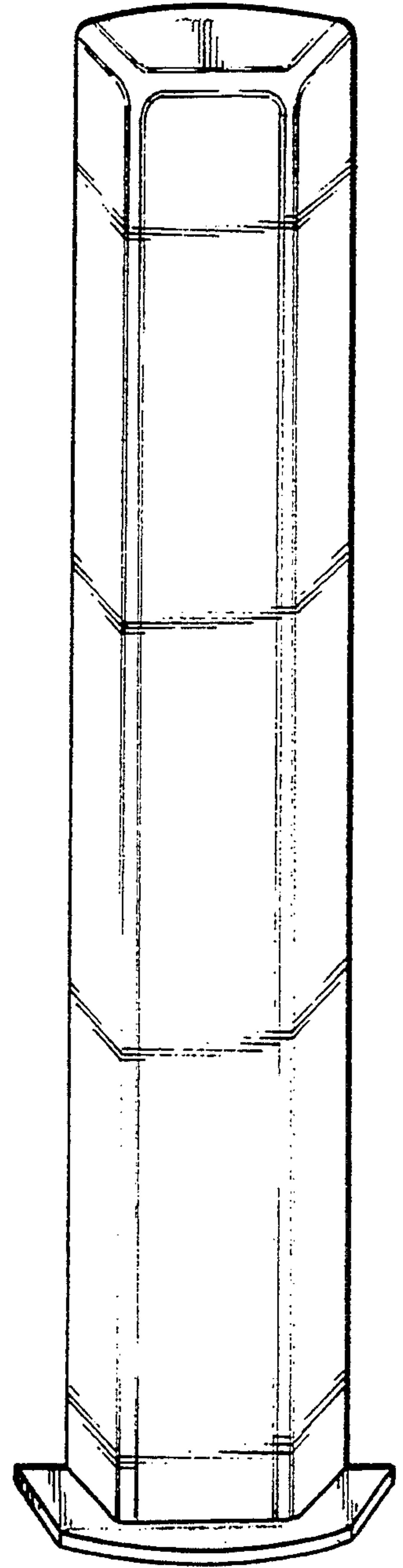
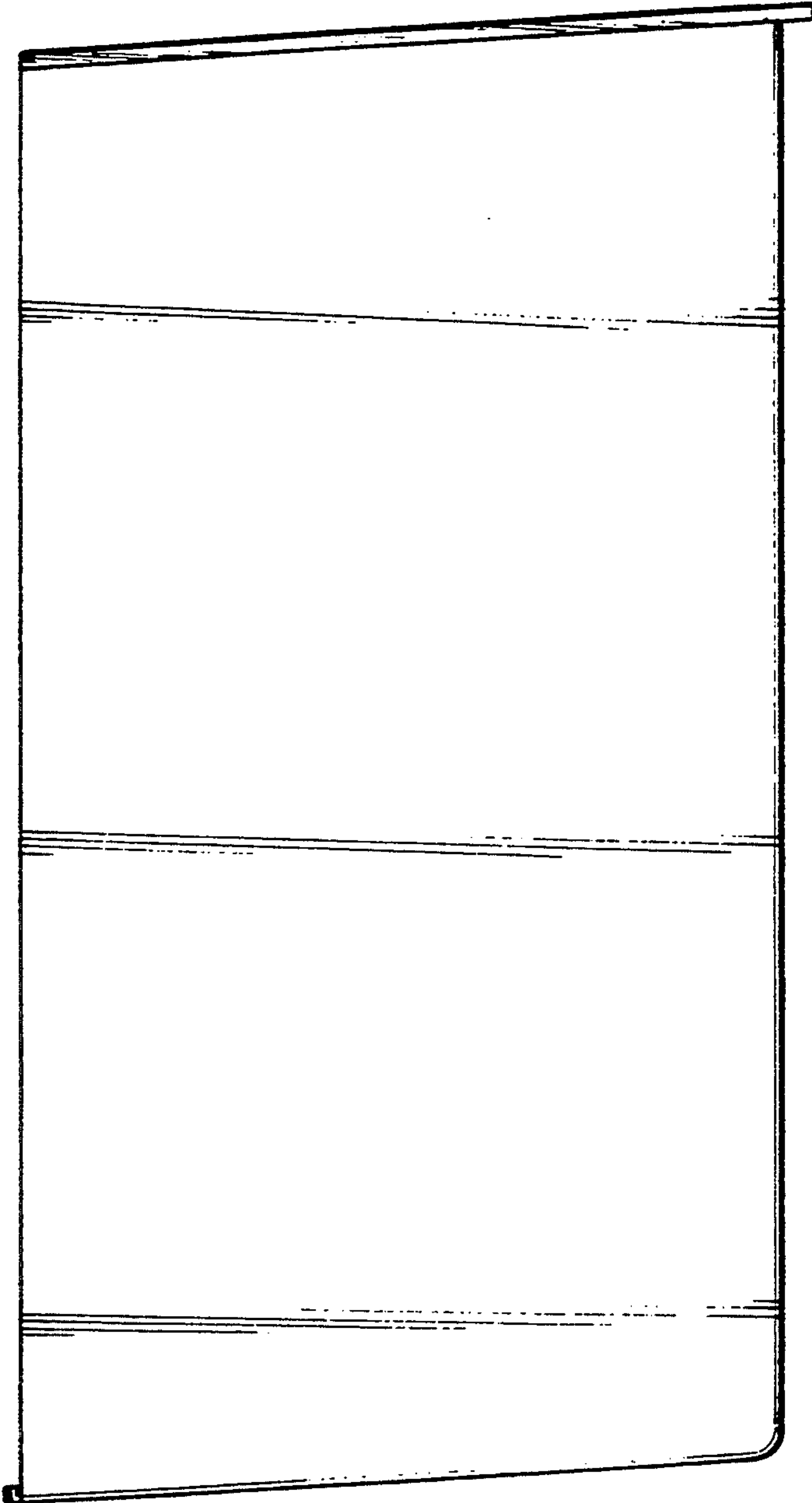


Fig-6

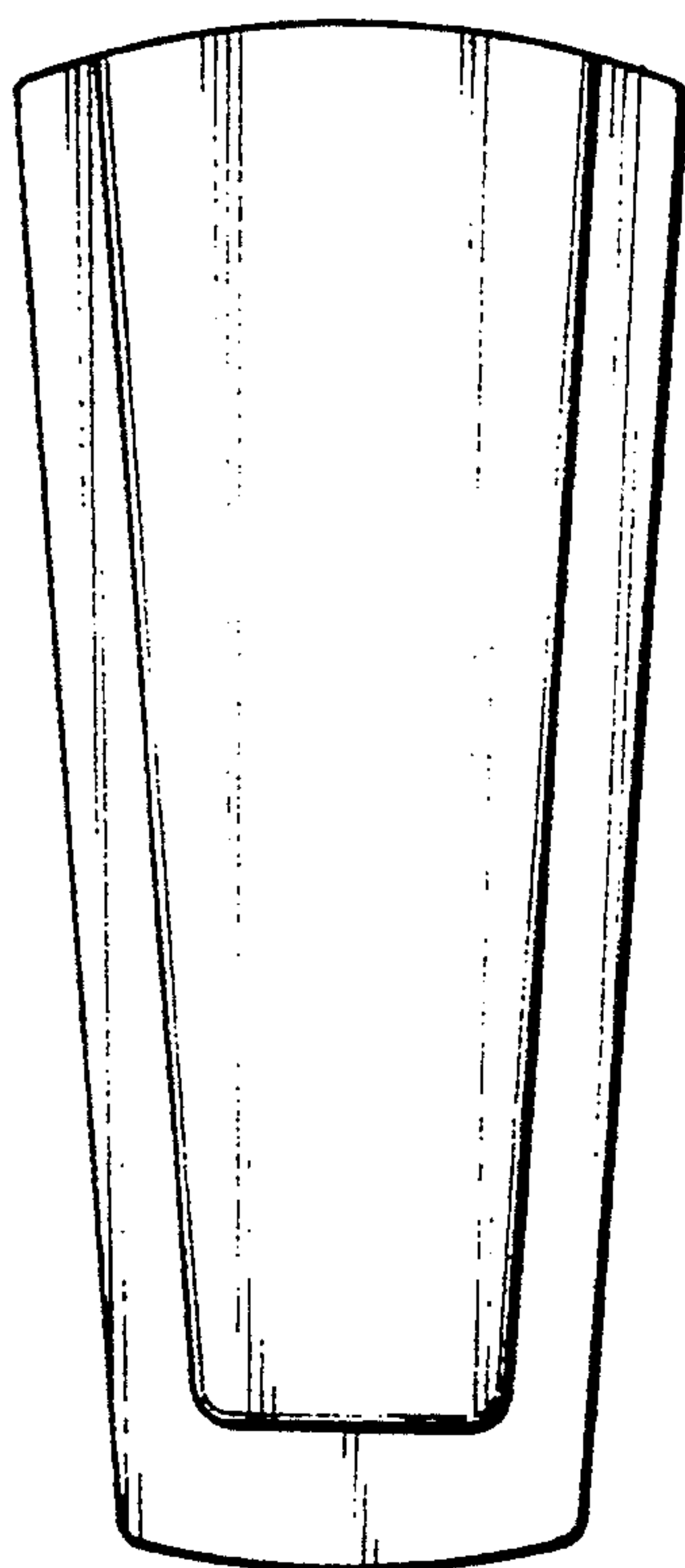


Fig-7