



US00D354311S

United States Patent [19]

[11] Patent Number: Des. 354,311

Tarozzi

[45] Date of Patent: ** Jan. 10, 1995

[54] WRITING INSTRUMENT CONTAINER

5,004,103 4/1991 Conners et al. 211/69 X

[75] Inventor: Richard A. Tarozzi, Gales Ferry, Conn.

OTHER PUBLICATIONS

[73] Assignee: Binney & Smith Inc., Easton, Pa.

Two photographs of Crayola® Crayons crayon holder, Binney & Smith Inc., Easton, PA ©1976.

[**] Term: 14 Years

Two photographs of Fun Years Electronic Choo Choo and packaging, Geoffrey, Inc., distributed by Toys "R" Us, Inc. Paramus, NJ, U.S.A. known to exist prior to Oct. 5, 1992.

[21] Appl. No.: 13,881

[22] Filed: Oct. 5, 1993

Primary Examiner—Martie Thompson
Attorney, Agent, or Firm—Leydig, Voit & Mayer, Ltd.

Related U.S. Application Data

[63] Continuation of Ser. No. 118,455, Sep. 8, 1993.

[52] U.S. Cl. D19/82; D9/308; D12/38; D21/129; D19/85

[58] Field of Search D3/206; D9/308; D12/38; D21/129; D19/35, 36, 65, 75, 81, 82, 83-85; 206/214, 224, 371; 211/69, 69.1-69.9; 446/76

[57] CLAIM

The ornamental design for a writing instrument container as shown and described.

[56] References Cited

U.S. PATENT DOCUMENTS

D. 79,822	5/1929	Larrabee	D19/82 X
D. 88,371	11/1932	Cuff	D21/129
D. 149,184	4/1948	Jolley	D9/308
193,460	7/1877	Reed	D21/129 X
D. 217,374	4/1970	Hubiak	D21/129 X
D. 253,179	10/1979	Bosler	D19/82
D. 316,273	4/1991	Tsuji	D19/75
D. 337,517	7/1993	Hwang	D21/129 X
540,268	6/1895	Newell	206/371
4,136,773	1/1979	Booth	206/214
4,753,346	6/1988	Tsuji	206/371

DESCRIPTION

FIG. 1 is a top, left front perspective view of a writing instrument container showing my new design; FIG. 2 is a top, left front perspective view thereof in an exploded condition;

FIG. 3 is a top plan view thereof;

FIG. 4 is a left side elevational view thereof;

FIG. 5 is a bottom plan view thereof;

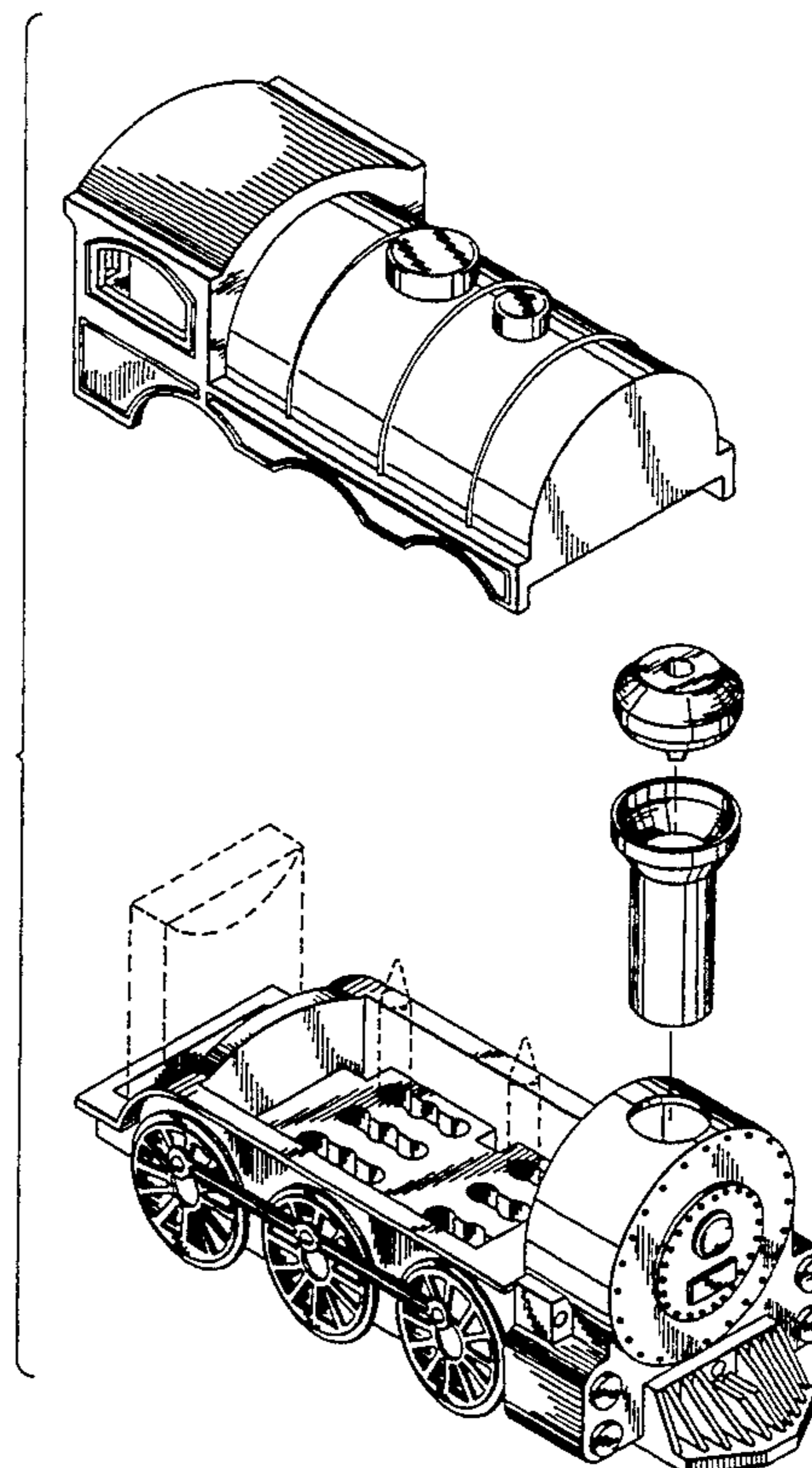
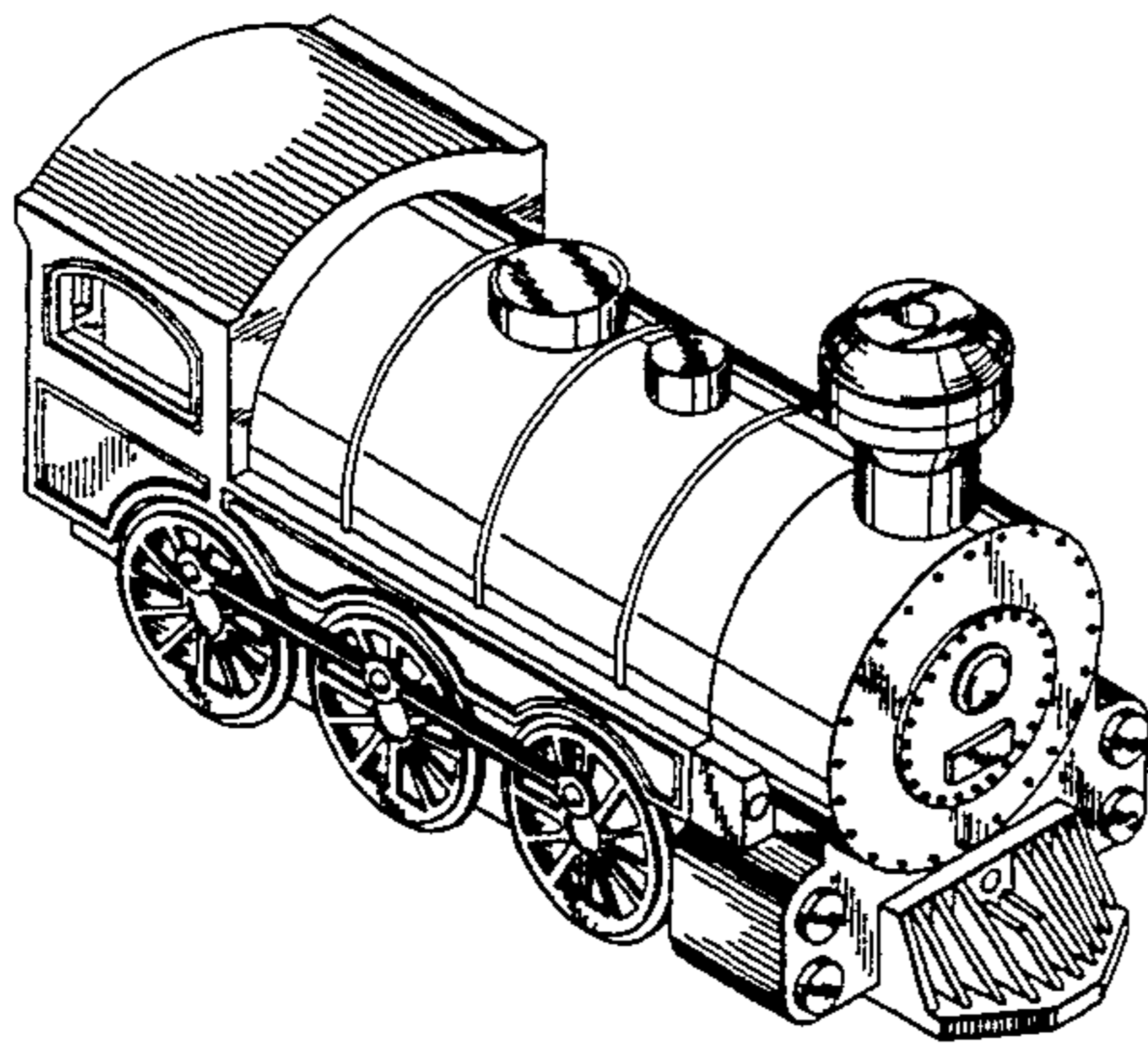
FIG. 6 is a right side elevational view thereof;

FIG. 7 is a front elevational view thereof;

FIG. 8 is a rear elevational view thereof; and,

FIG. 9 is a top plan view thereof with the upper portion removed for convenience of illustration.

The box and writing instruments depicted by means of broken lines in FIG. 2 have been shown for illustrative purposes only and form no part of the claimed design.



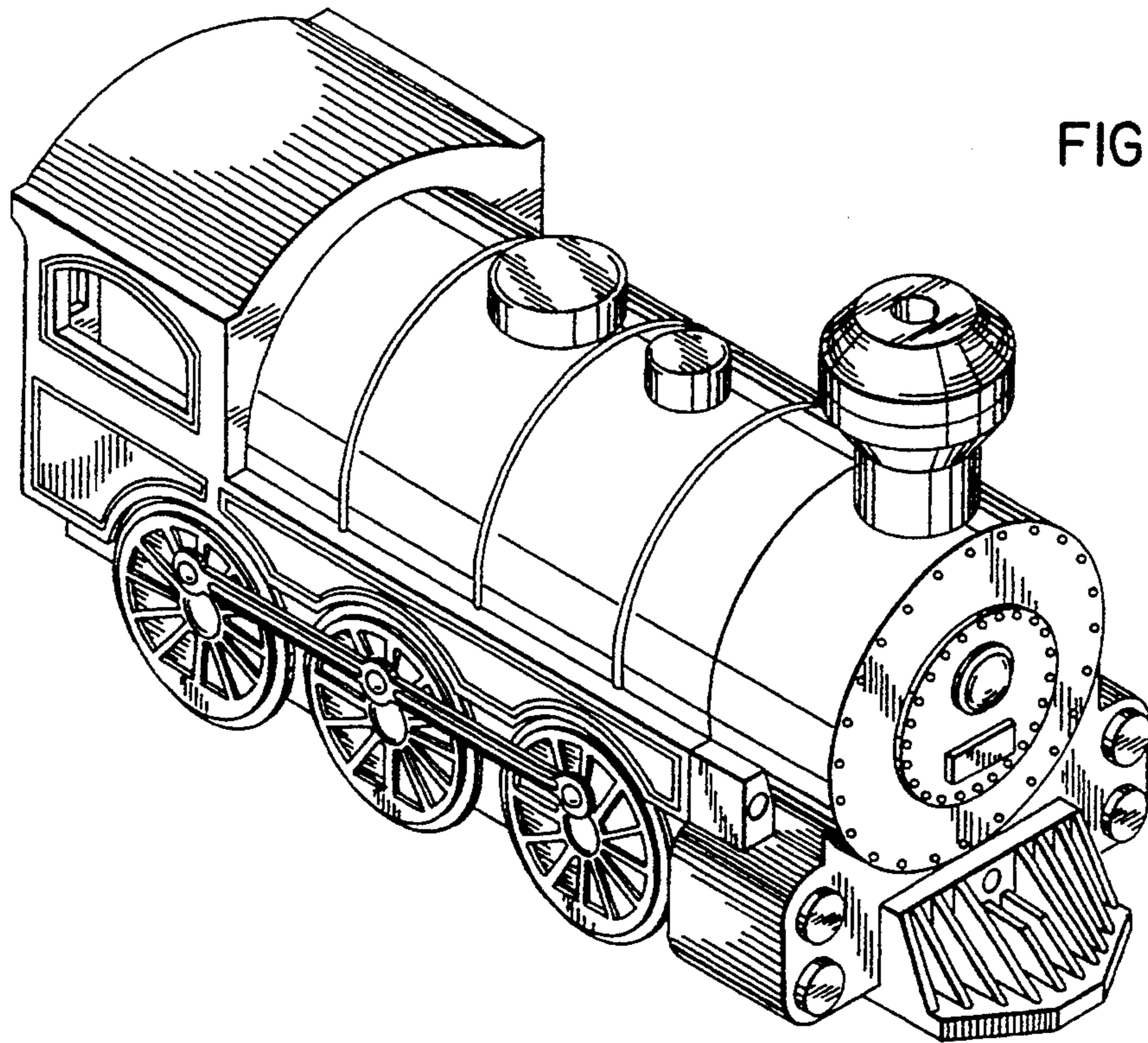


FIG. 1

FIG. 7

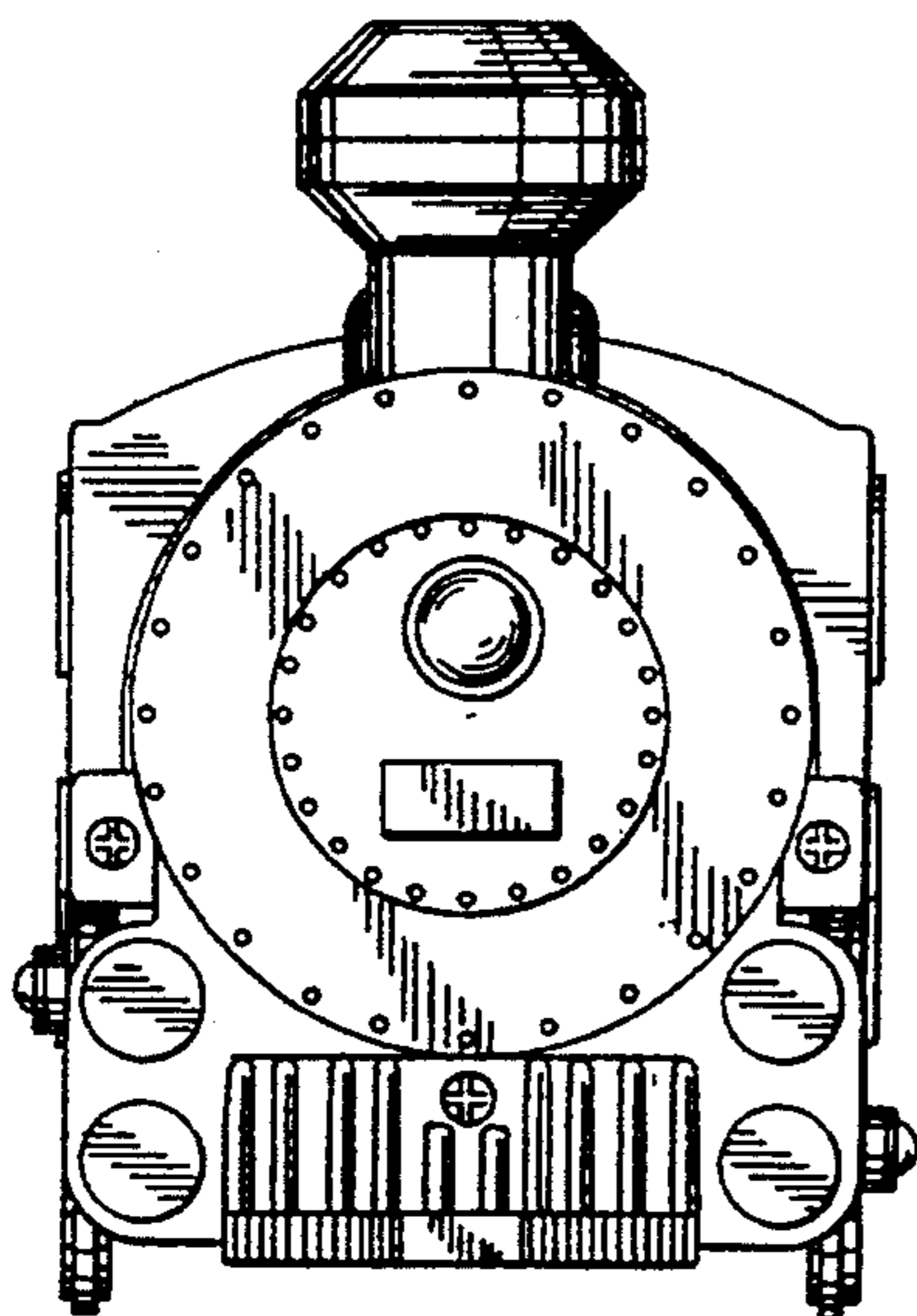
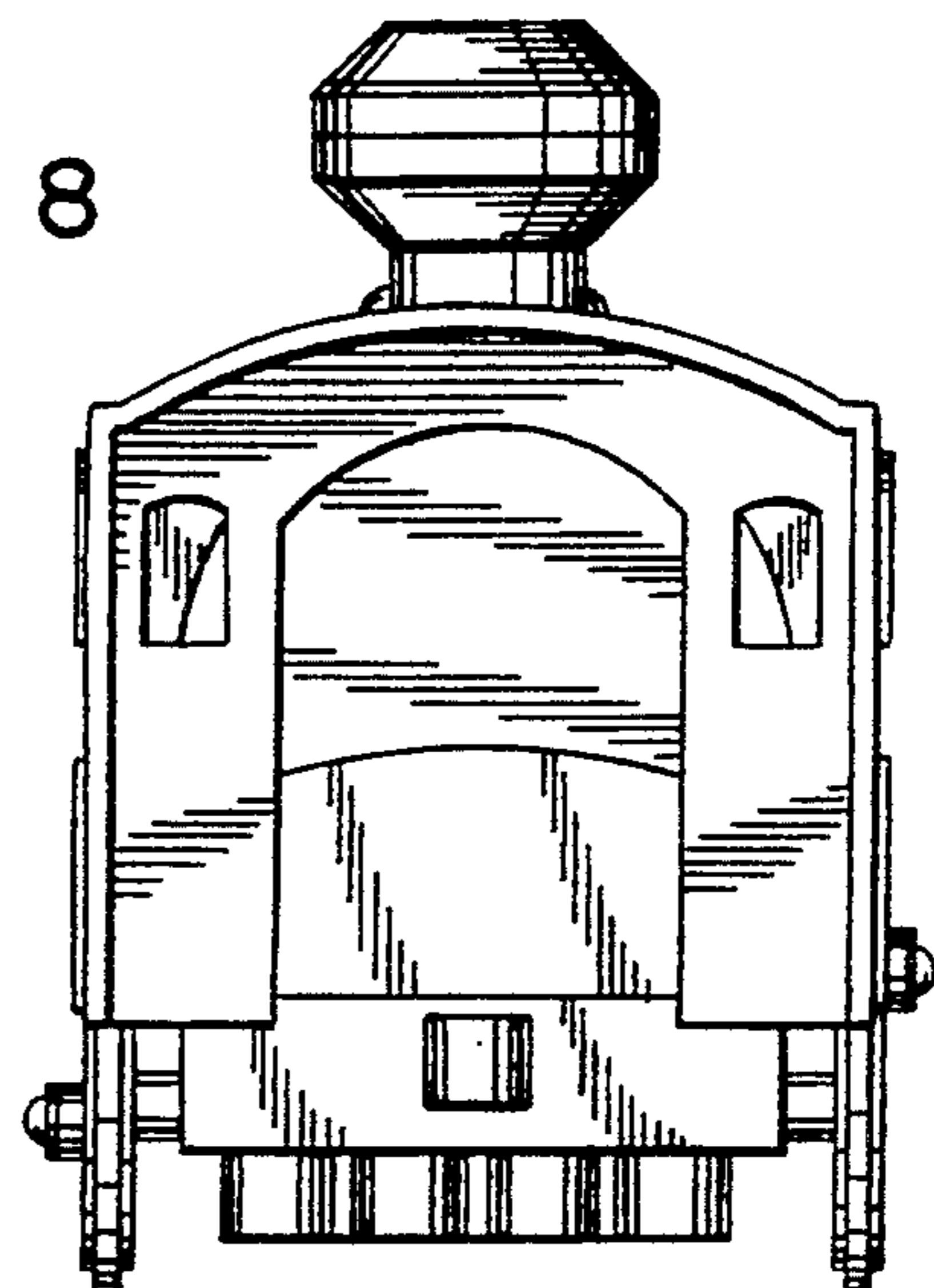


FIG. 8



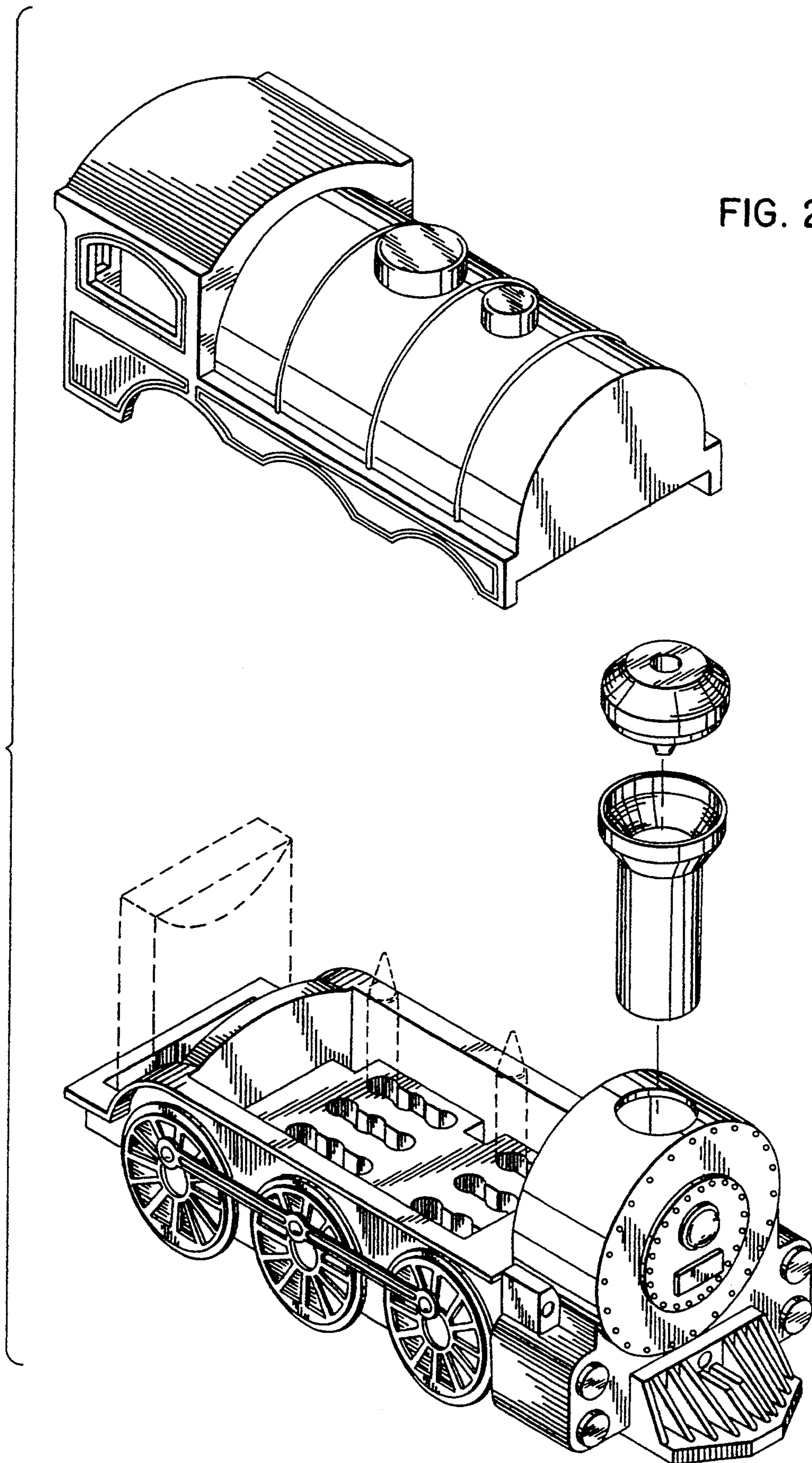


FIG. 2

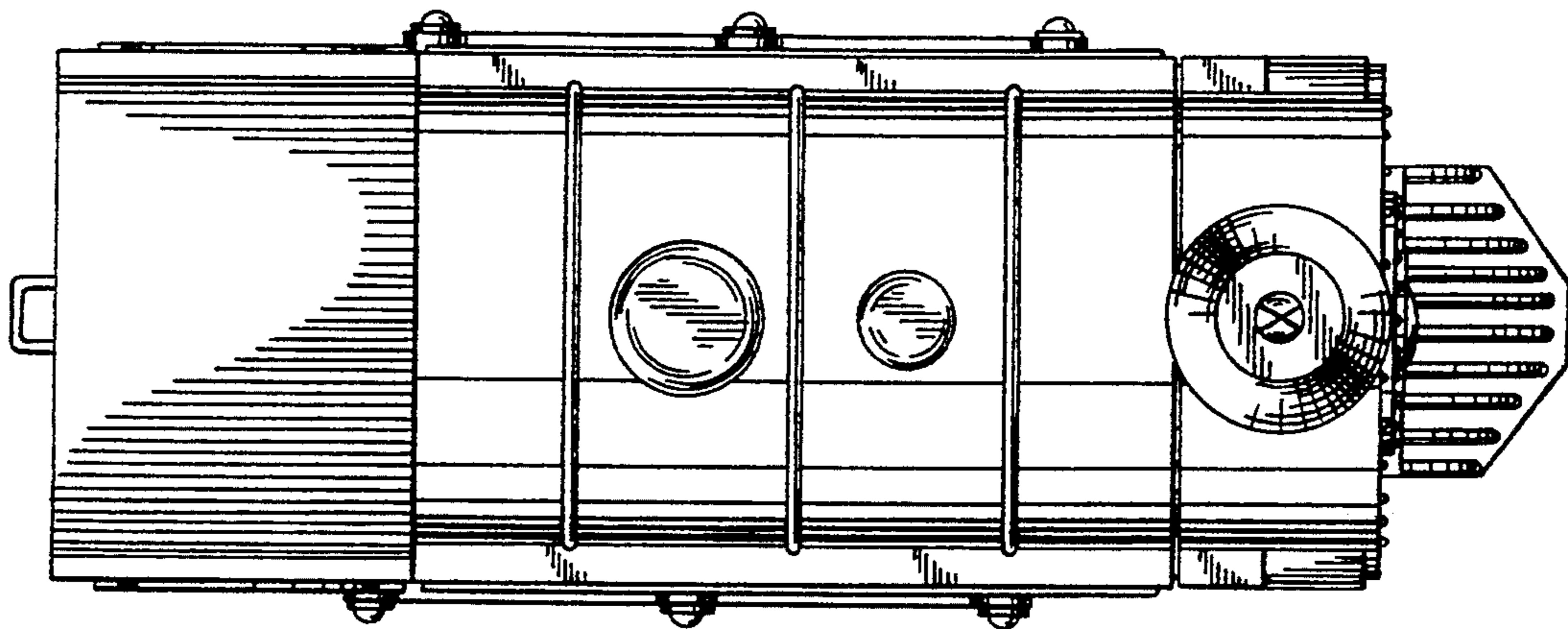


FIG. 3

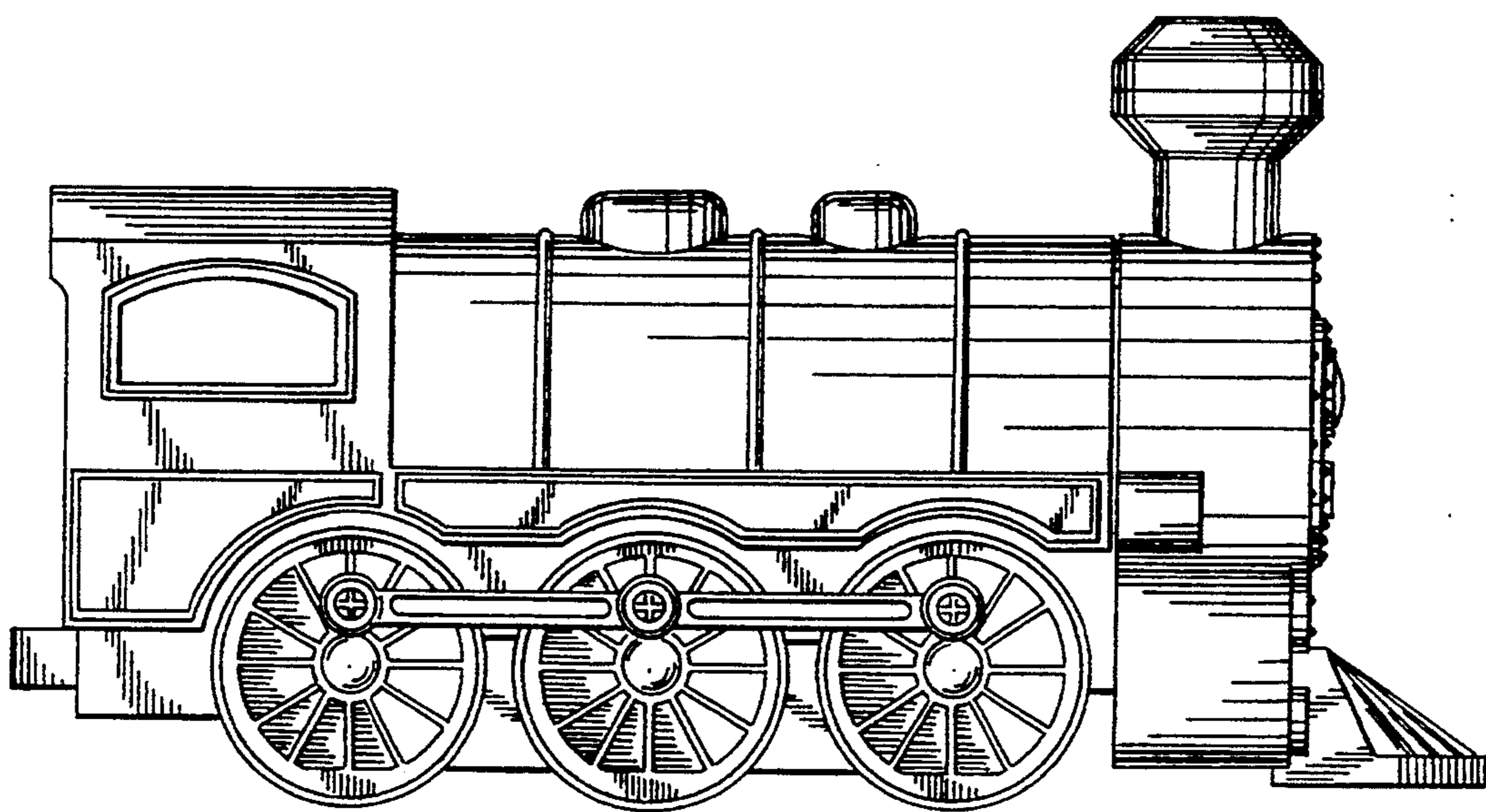


FIG. 4

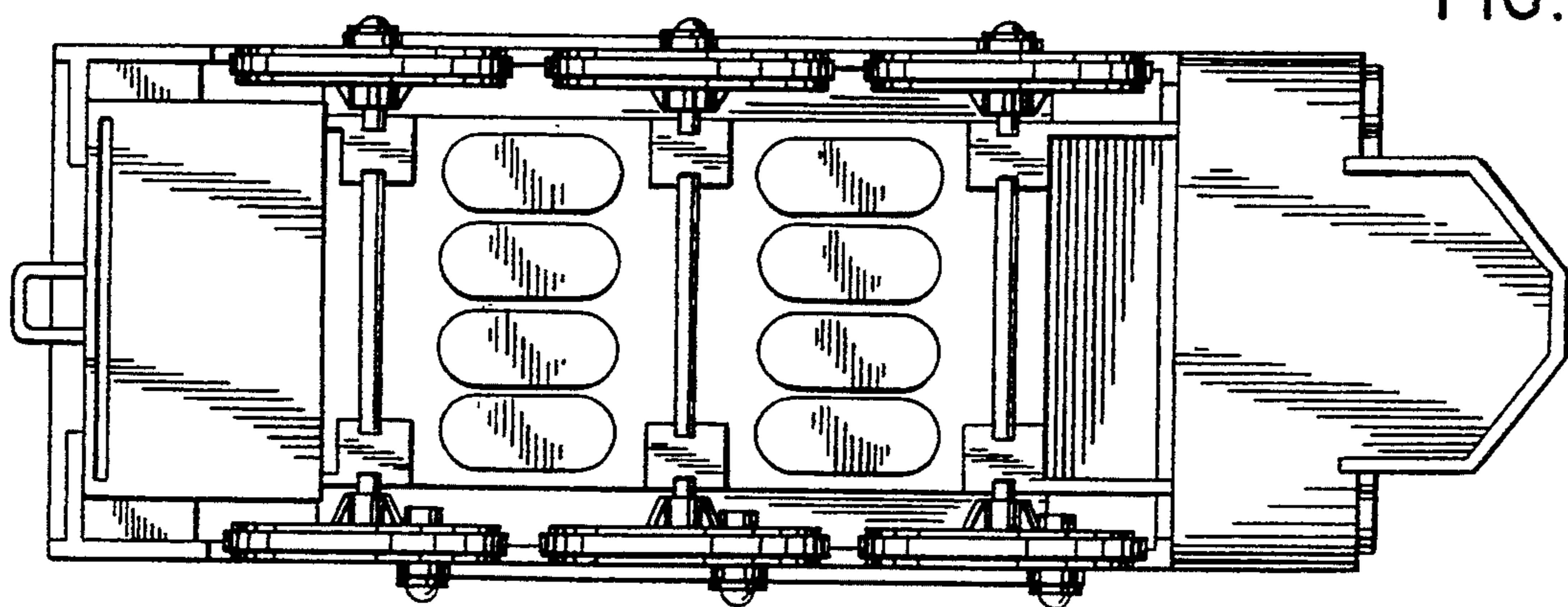


FIG. 5

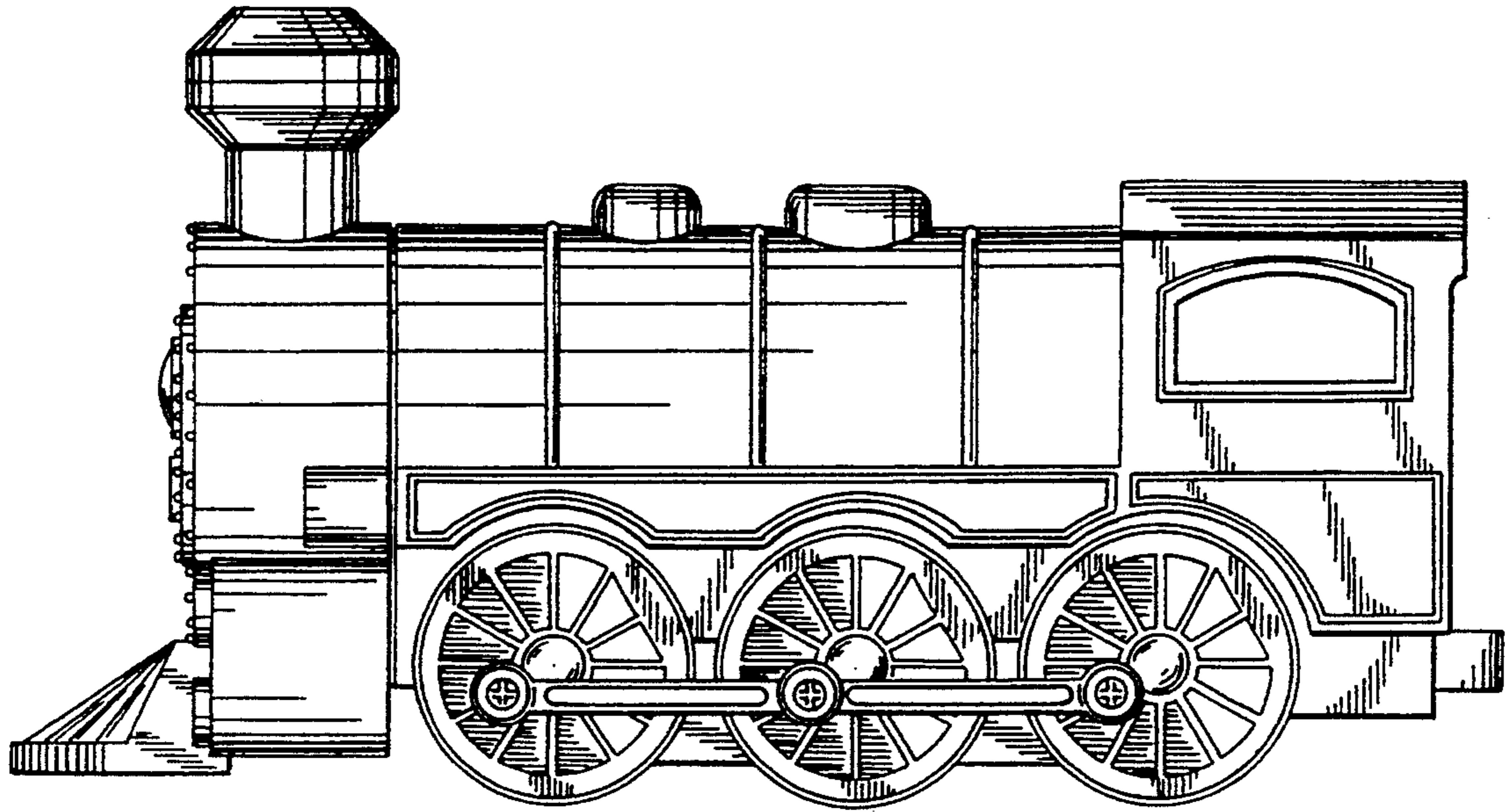


FIG. 6

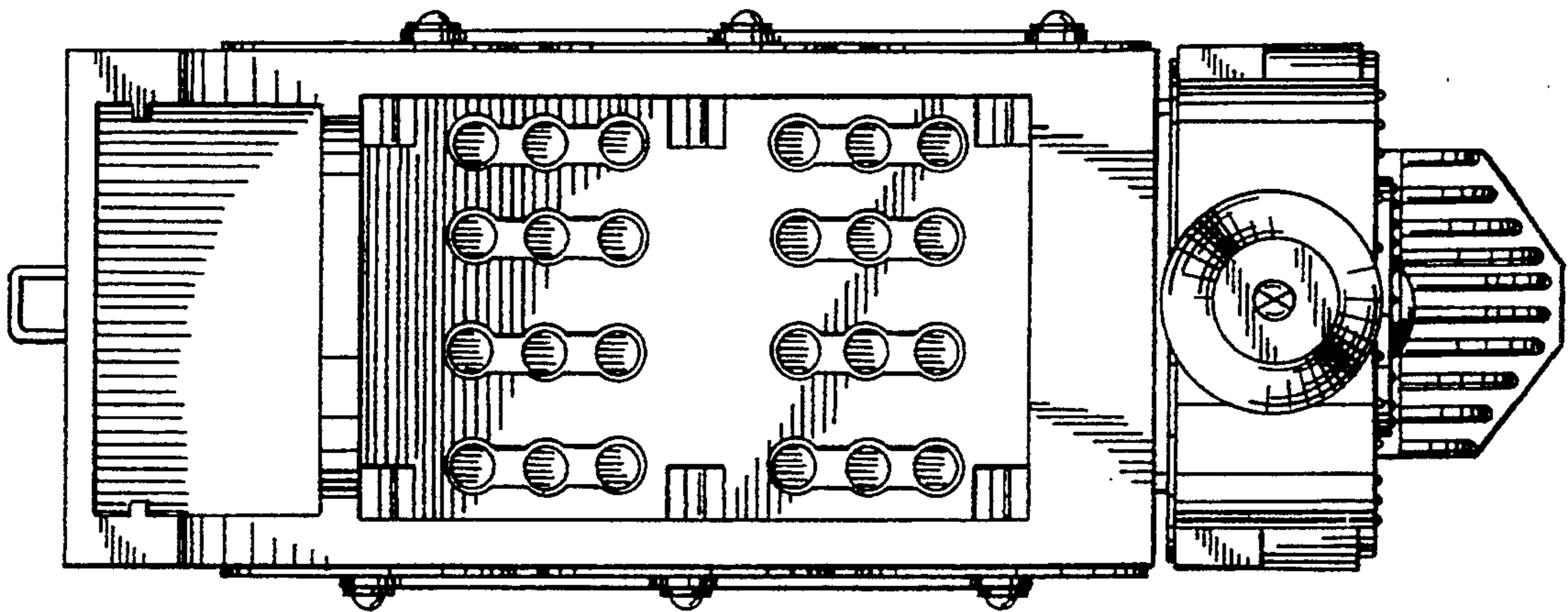


FIG. 9