



US00D354303S

United States Patent [19]

[11] Patent Number: Des. 354,303

Noonan et al.

[45] Date of Patent: ** Jan. 10, 1995

[54] **HOT DEBOSSING STAMPER MACHINE**

[75] Inventors: **Daniel T. Noonan**, Greene, N.Y.;
Charles T. Groswith, III, Los Altos,
 Calif.; **Barry C. Kockler**, Lewisville;
Gerald D. Perry, The Colony, both
 of Tex.

5,017,033 5/1991 Hermann et al. 400/693
 5,067,832 11/1991 Baur et al. 400/693
 5,267,799 12/1993 Nukada 400/28
 5,295,751 3/1994 Sasaki 400/144.2

[73] Assignee: **Taurus Impressions, Inc.**, Mountain View, Calif.

FOREIGN PATENT DOCUMENTS

2152436A 8/1985 United Kingdom .
 013765 9/1991 WIPO 400/693

[**] Term: **14 Years**

OTHER PUBLICATIONS

[21] Appl. No.: **10,716**

Acromark Hot Stamping System brochure, the Acromark Company, Inc. pre-1986, 6 pages.
 Franklin stamping machine brochures, Franklin Manufacturing Corporation, Model 115 11/83 and Super Regal Model 11/79, 2 pages each, pre-1986.
 WEGO printer brochure, Precision Machine, Inc. pre-1986, 4 pages

[22] Filed: **Jun. 17, 1993**

[52] U.S. Cl. **D18/15**

[58] Field of Search 400/144.2, 21-30,
400/691-693; 101/27, 31; D18/50, 54, 55, 56

Primary Examiner—CathyAnne MacCormac
Attorney, Agent, or Firm—Skjerven, Morrill,
 MacPherson, Franklin & Friel

[56] References Cited

U.S. PATENT DOCUMENTS

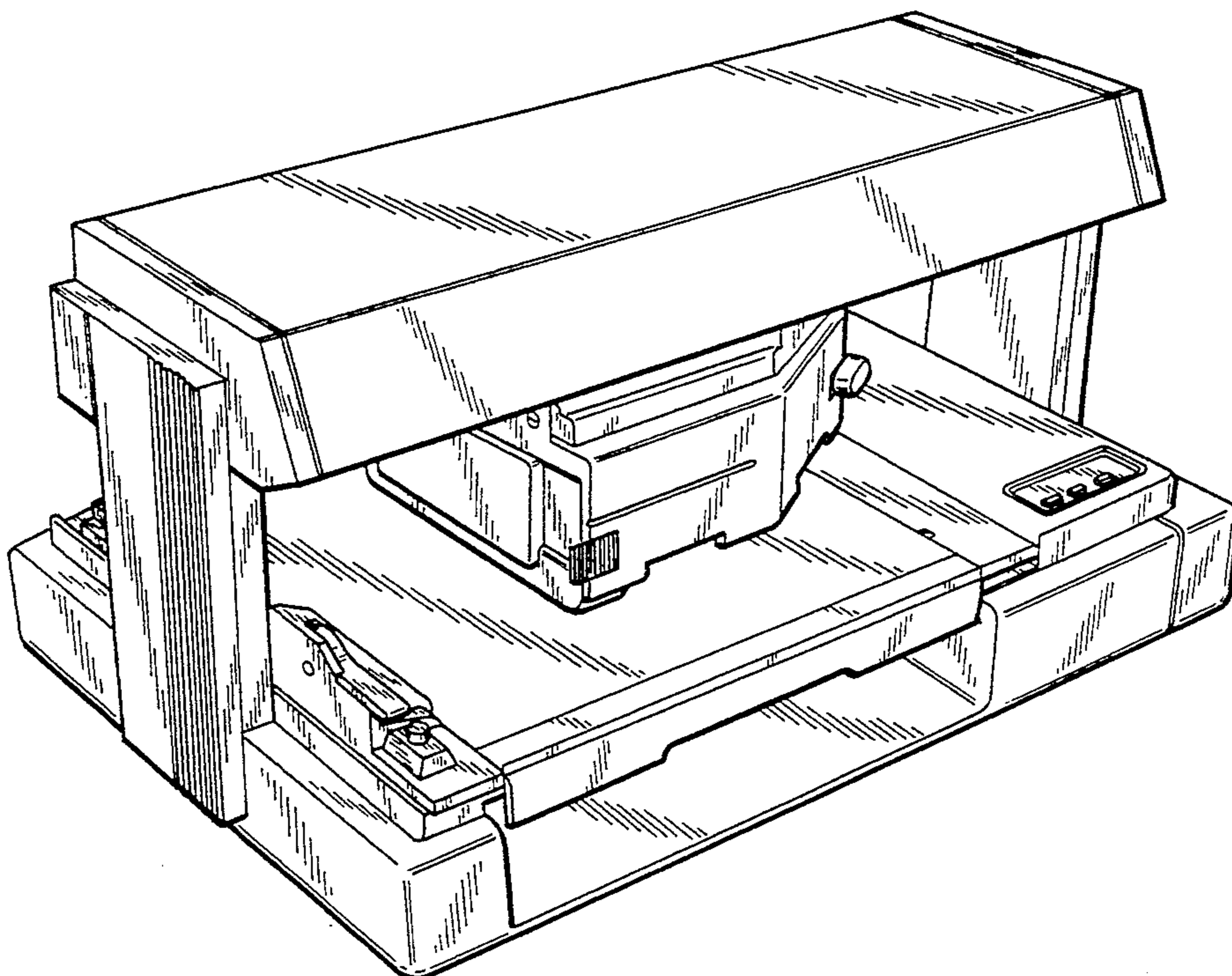
1,406,537 2/1922 Choate 400/120
 1,979,640 11/1934 Roberts, Jr. 41/7
 3,301,370 1/1967 Miller 400/120
 4,037,532 7/1977 Plaza et al. 101/93.48
 4,044,665 8/1977 Kuhne et al. 101/21
 4,147,438 4/1979 Sandrone et al. 400/144.2
 4,308,794 1/1982 Adamoli et al. 101/93.03
 4,373,436 2/1983 Shenoha 101/27
 4,416,199 11/1983 Davison 101/193
 4,462,708 7/1984 Luartes et al. 400/304
 4,516,493 5/1985 Schemenauer 101/27
 4,542,690 9/1985 Kikuchi 101/27
 4,544,289 10/1985 McGourty et al. 400/154.5
 4,744,294 5/1988 Liepelt et al. 101/27
 4,842,427 6/1989 Kloppenburg 400/21
 4,930,911 6/1990 Sampson et al. 400/28

[57] CLAIM

The ornamental design for a hot debossing stamper machine, as shown and described.

DESCRIPTION

FIG. 1 is a perspective view of a hot debossing stamper machine showing our new design;
 FIG. 2 is a front elevational view thereof;
 FIG. 3 is a rear elevation view thereof;
 FIG. 4 is a left side elevational view thereof;
 FIG. 5 is a right side elevational view of an opposite side thereof;
 FIG. 6 is a bottom plan view thereof; and,
 FIG. 7 is a top plan view thereof.



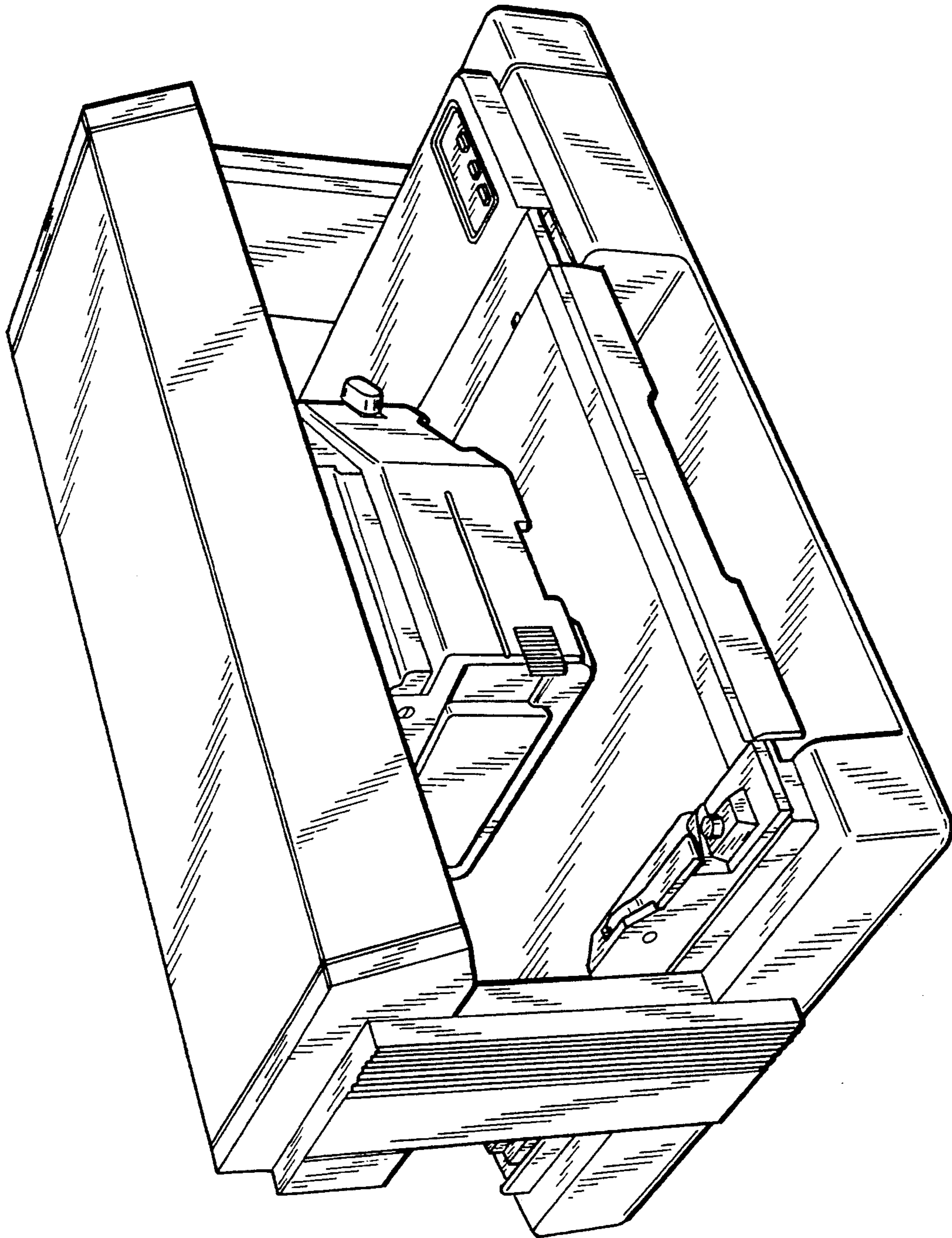


FIG. 1

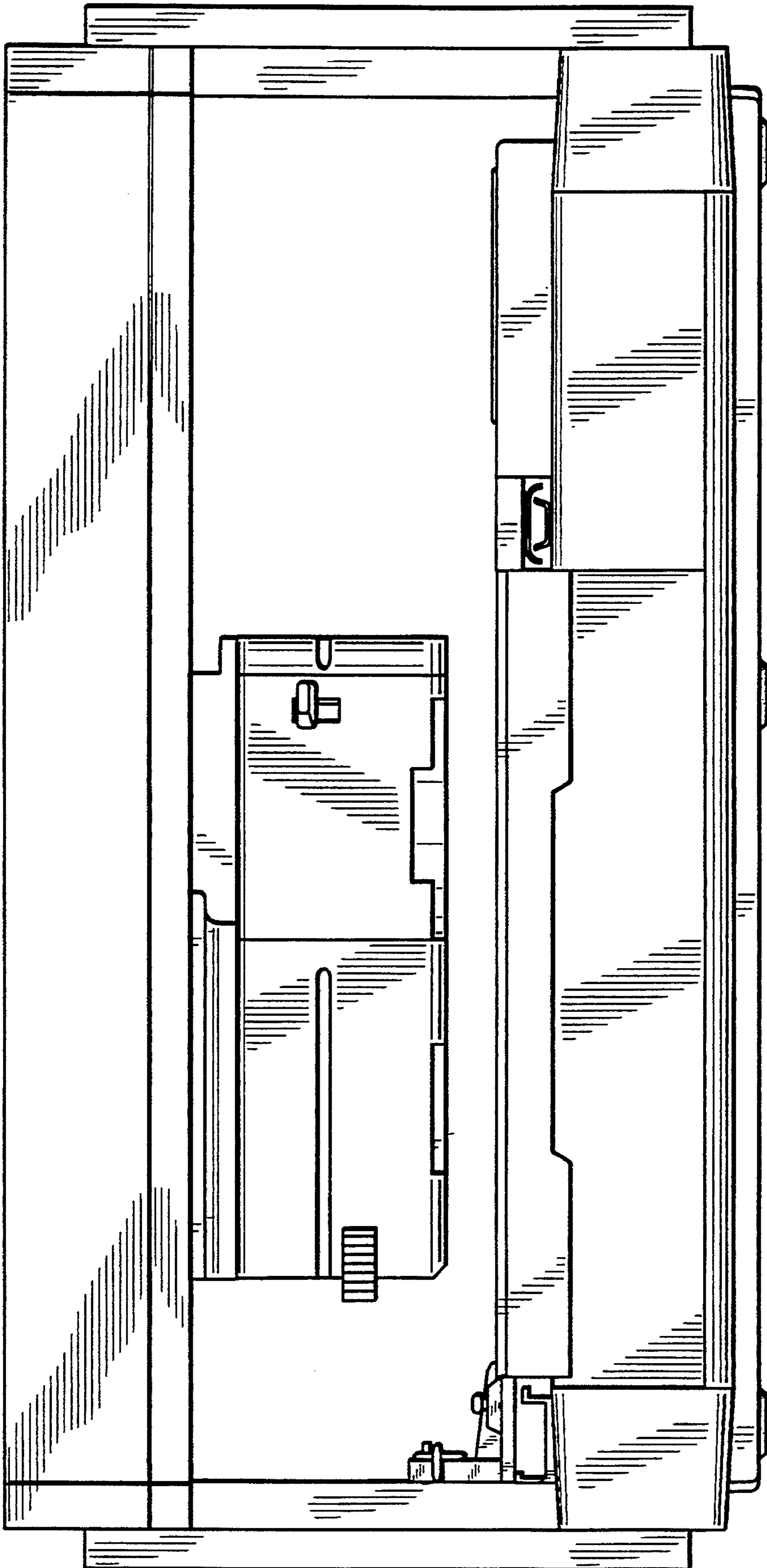


FIG. 2

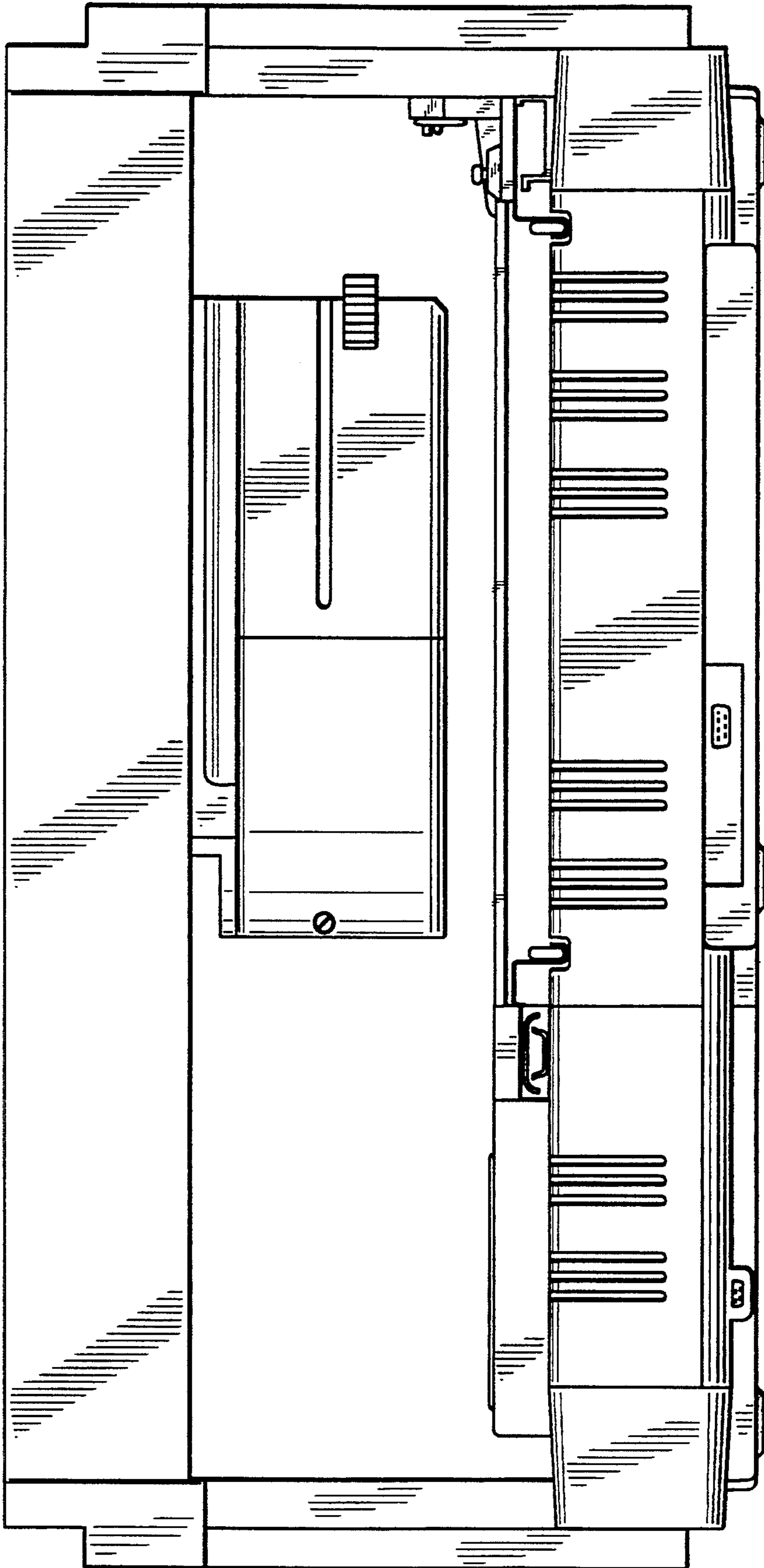


FIG. 3

FIG. 4

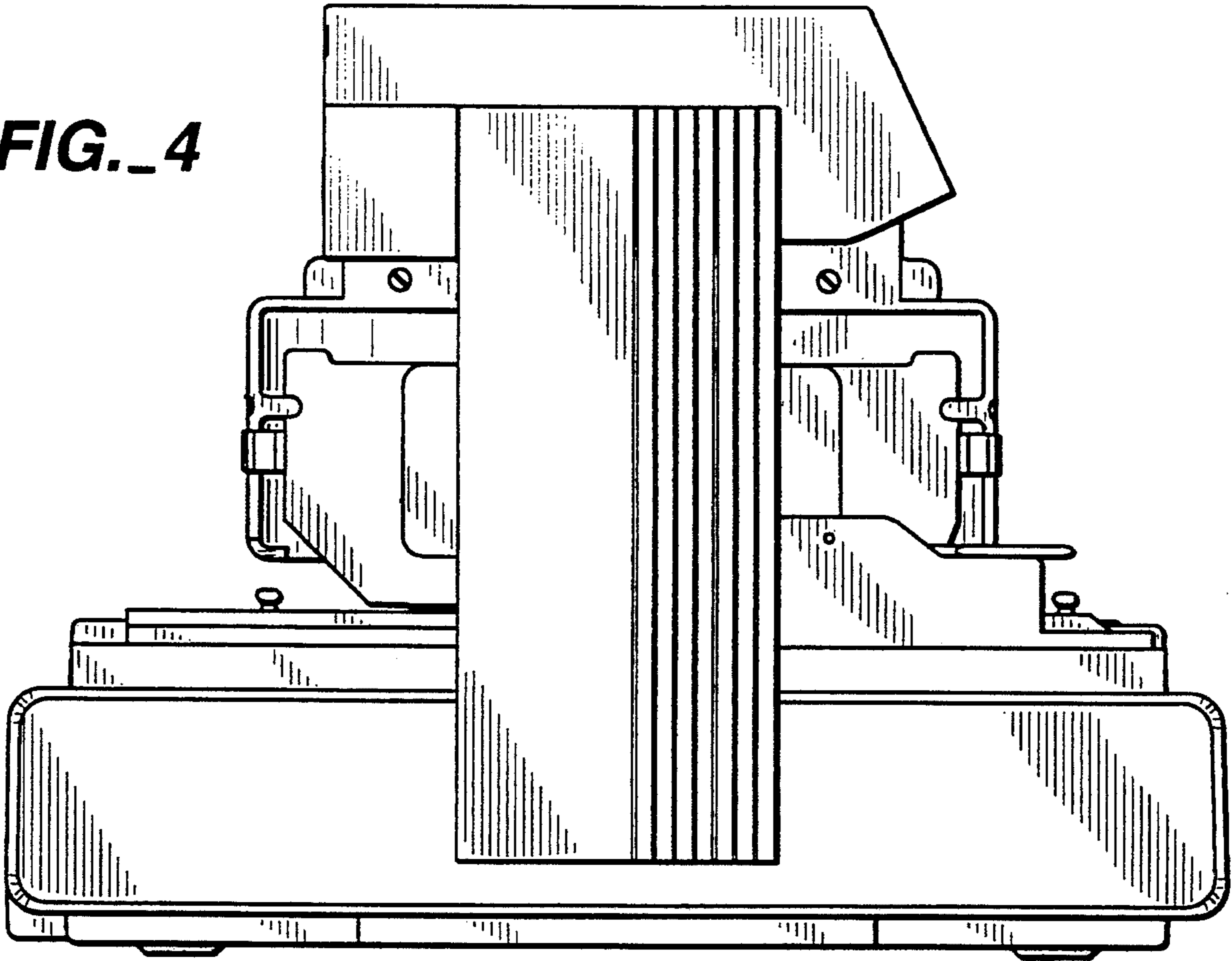
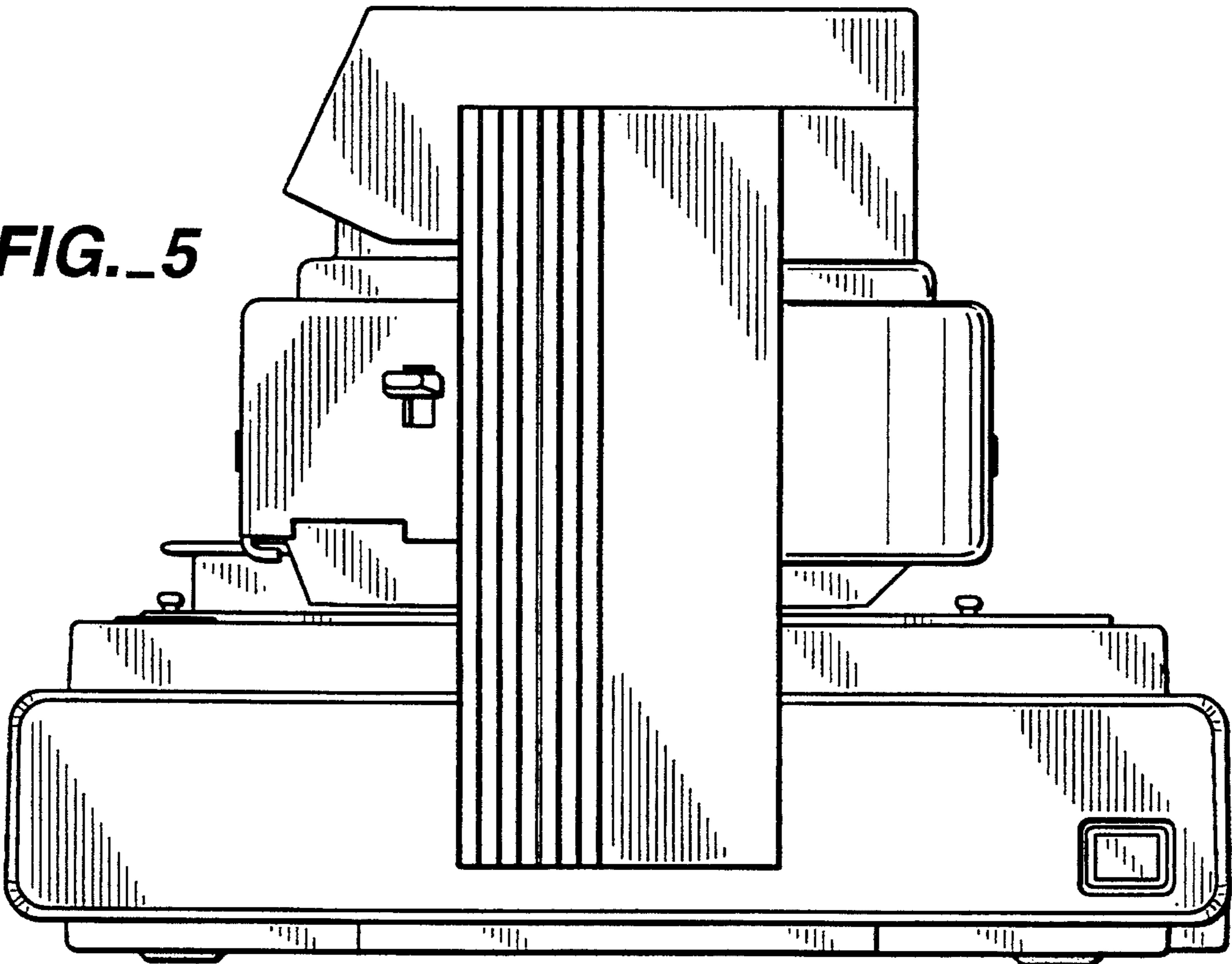


FIG. 5



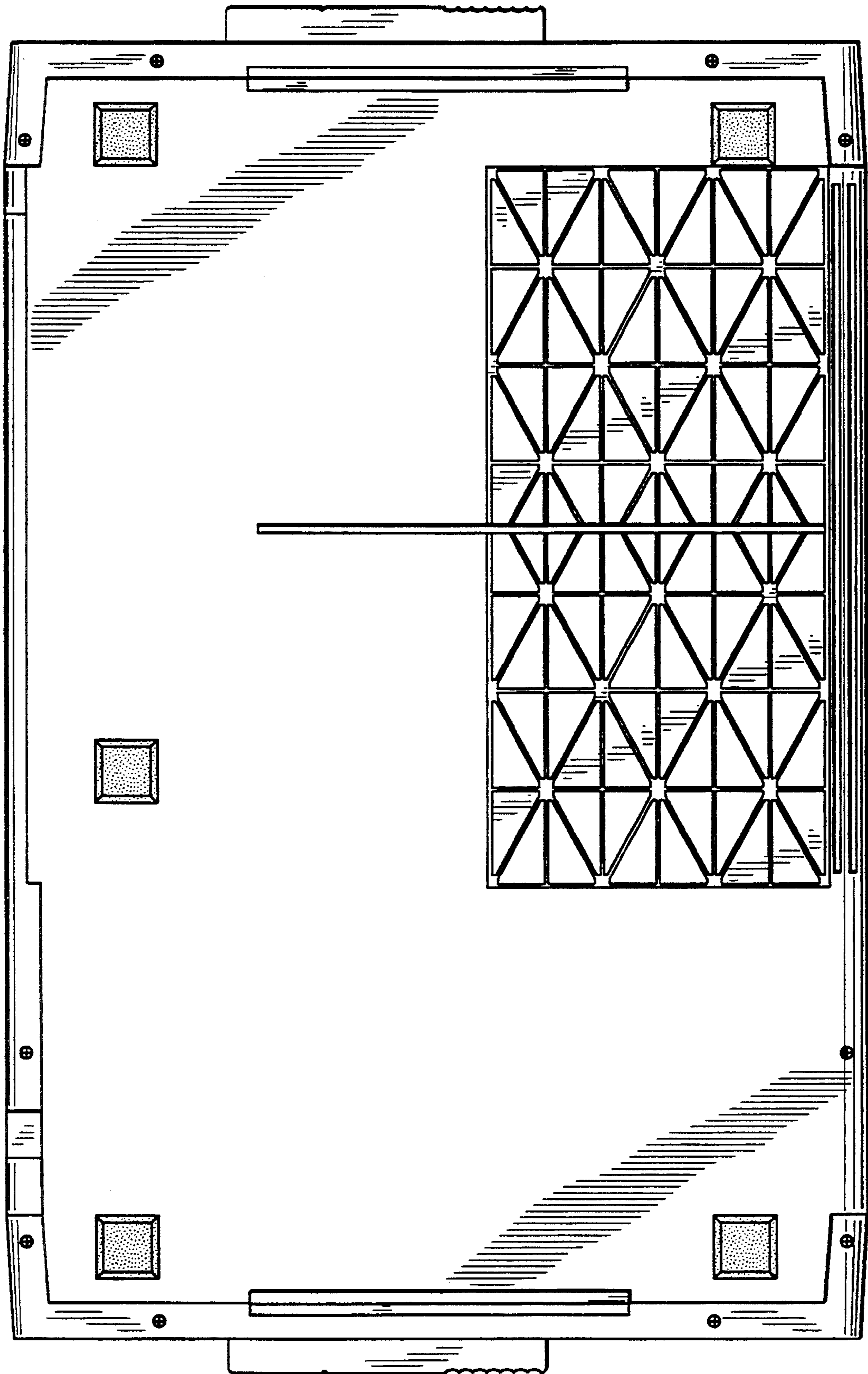


FIG. 6

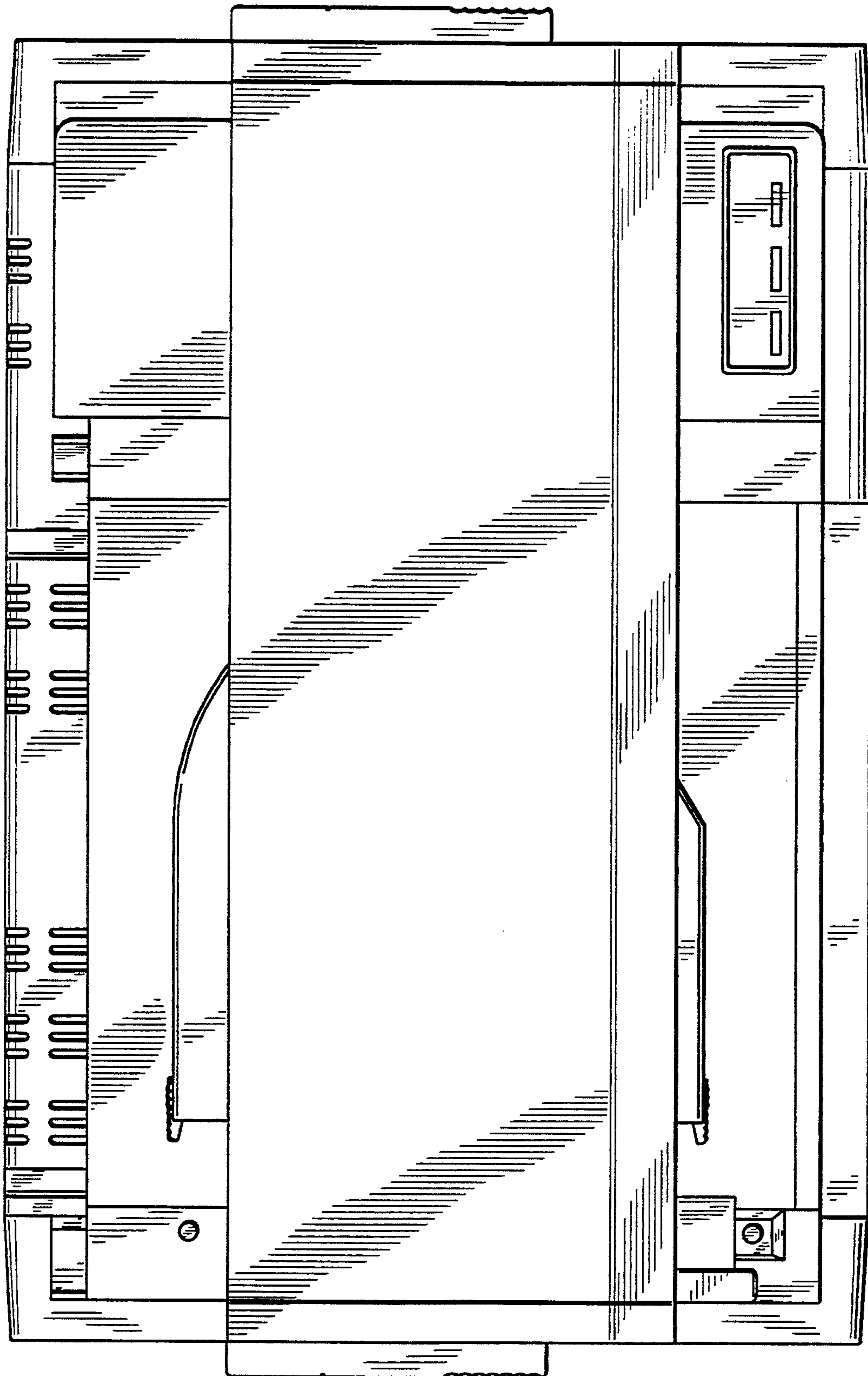


FIG. 7