



US00D354299S

United States Patent [19]
Hofmann-Igl

[11] **Patent Number: Des. 354,299**
[45] **Date of Patent: ** Jan. 10, 1995**

[54] **REVERSE MICROSCOPE**

[75] **Inventor: Ernest Hofmann-Igl, Davos-Platz, Switzerland**

[73] **Assignee: Lecia Mikroskopie und Systeme GmbH, Wetzlar, Germany**

[**] **Term: 14 Years**

[21] **Appl. No.: 5,286**

[22] **Filed: Mar. 1, 1993**

[30] **Foreign Application Priority Data**

Sep. 1, 1992 [DE] Germany 9206486
[52] **U.S. Cl. D16/131**
[58] **Field of Search D16/131; 359/391, 368, 359/393, 385, 382, 383, 392, 377, 376, 381, 388, 390**

[56] **References Cited**

U.S. PATENT DOCUMENTS

D. 299,357 1/1989 Garnich et al. D16/131
D. 340,251 10/1993 Frenkler et al. D16/131
4,749,270 6/1988 Endo et al. 359/393 X

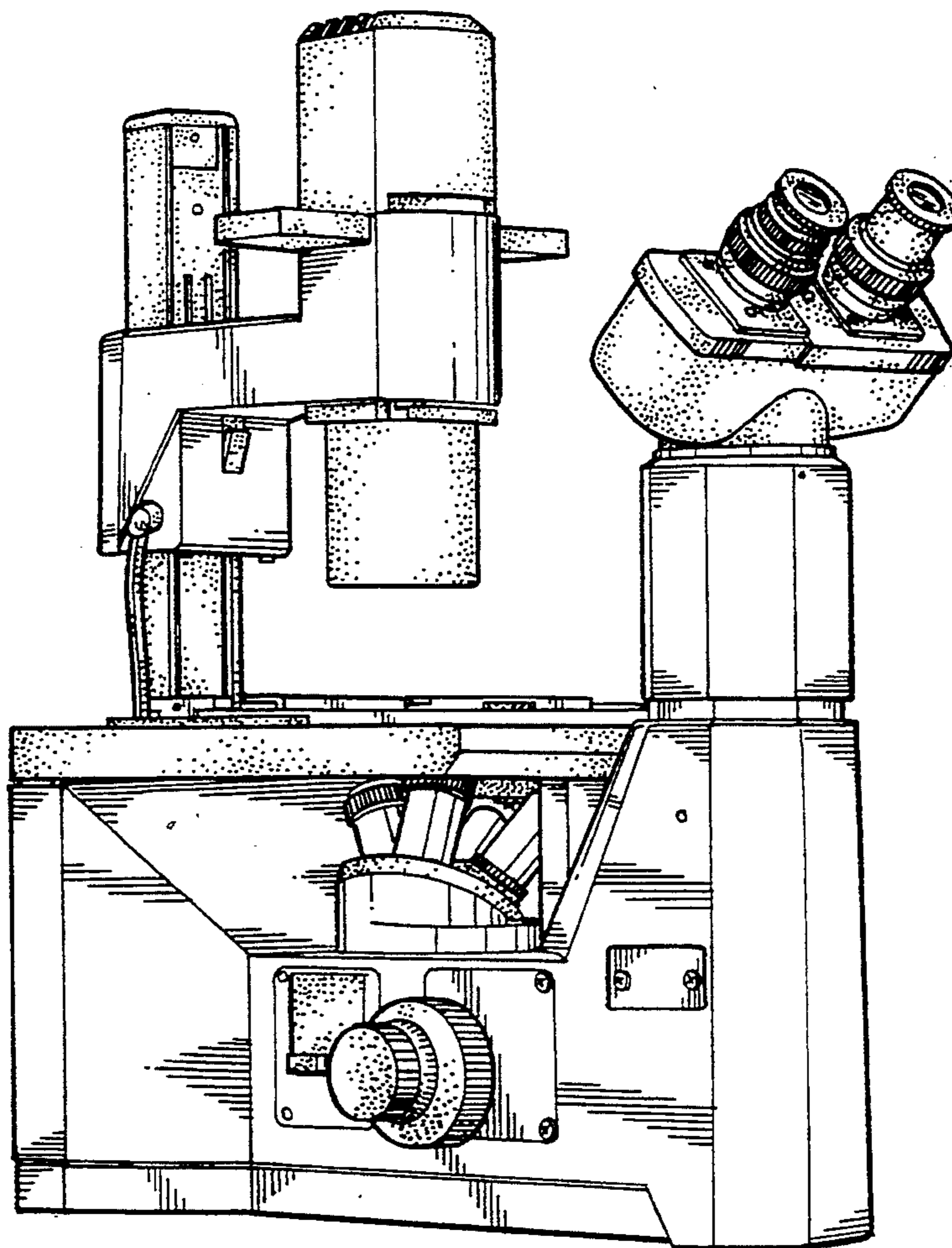
Primary Examiner—A. Hugo Word
Assistant Examiner—Doris V. Coles
Attorney, Agent, or Firm—Evenson, McKeown, Edwards & Lenahan

[57] **CLAIM**

The ornamental design for a reverse microscope, as shown and described.

DESCRIPTION

FIG. 1 is a perspective front view of a reverse microscope showing my new design;
FIG. 2 is a front elevational view thereof;
FIG. 3 is a rear elevational view thereof;
FIG. 4 is a left side elevational view thereof;
FIG. 5 is a right side elevational view thereof;
FIG. 6 is a top view thereof; and,
FIG. 7 is a bottom view thereof.



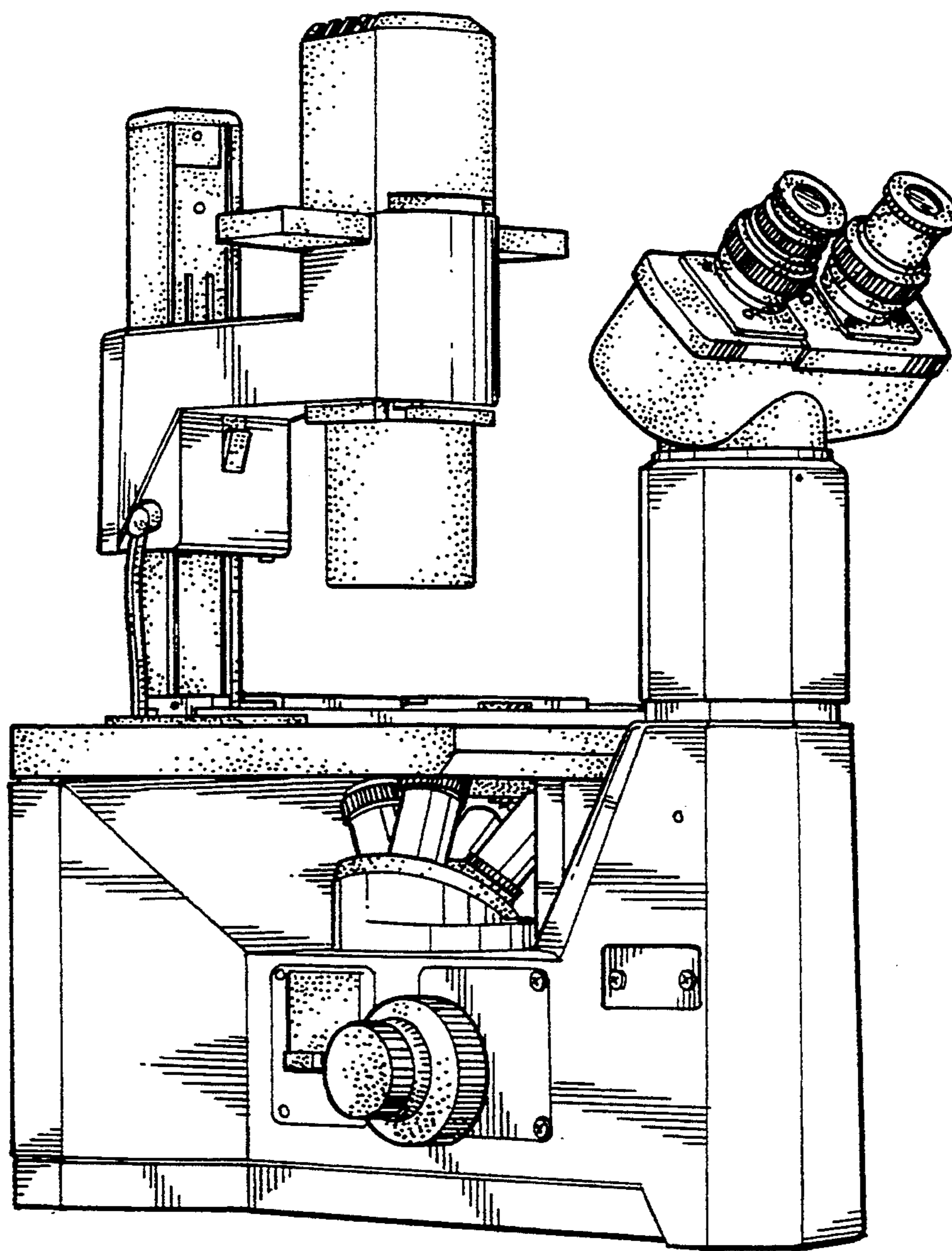


FIG. 1

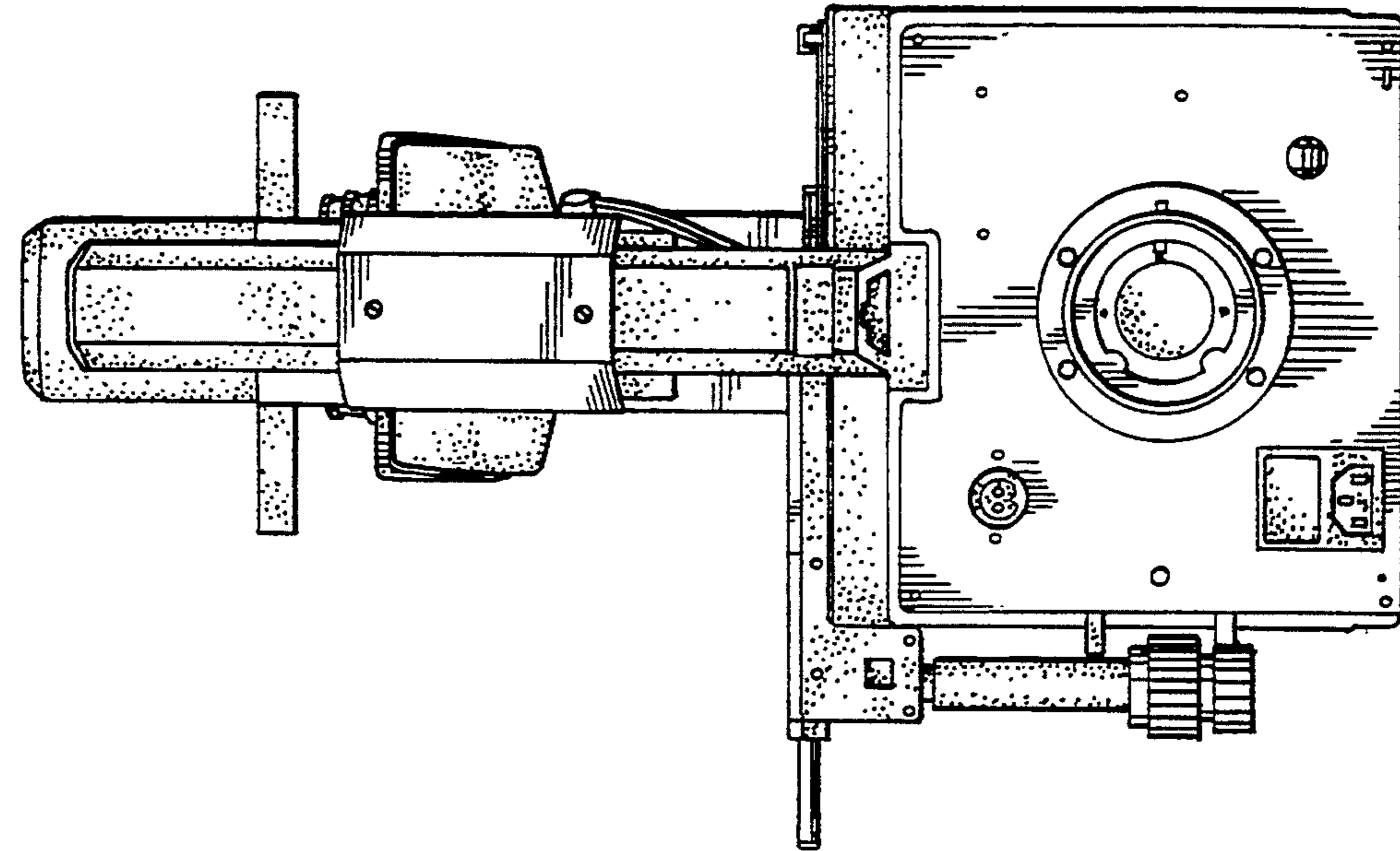


FIG. 3

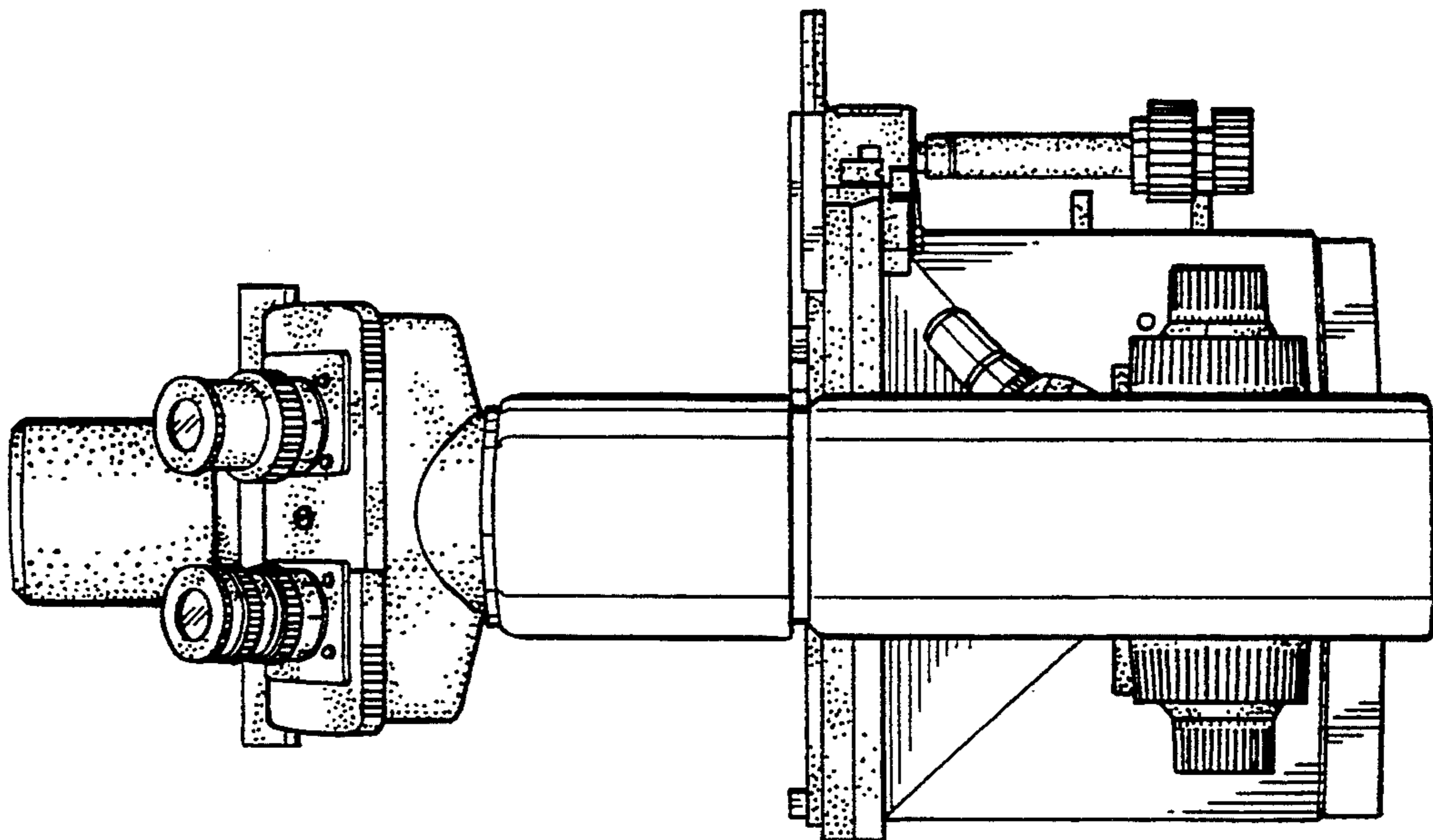


FIG. 2

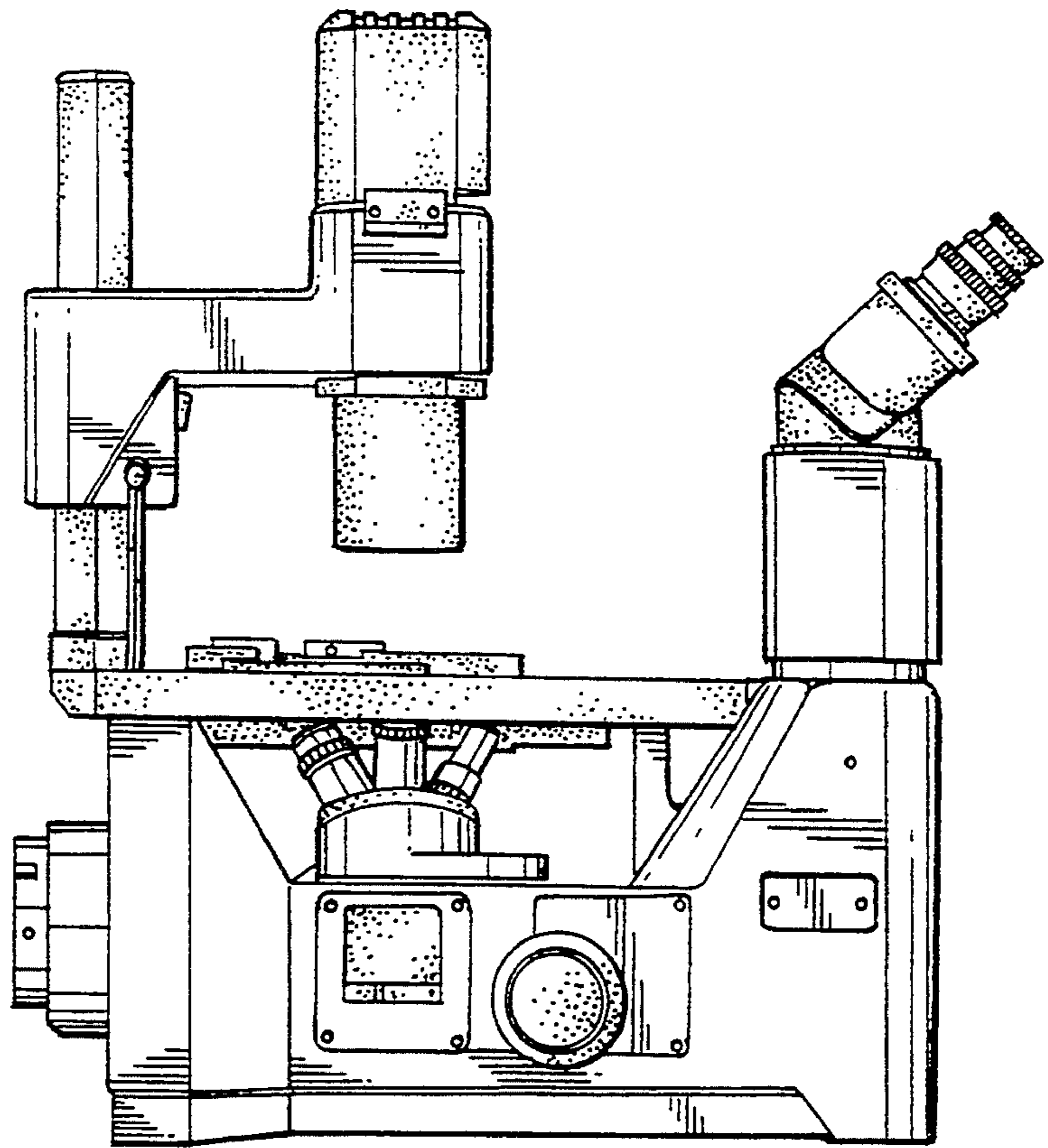


FIG. 4

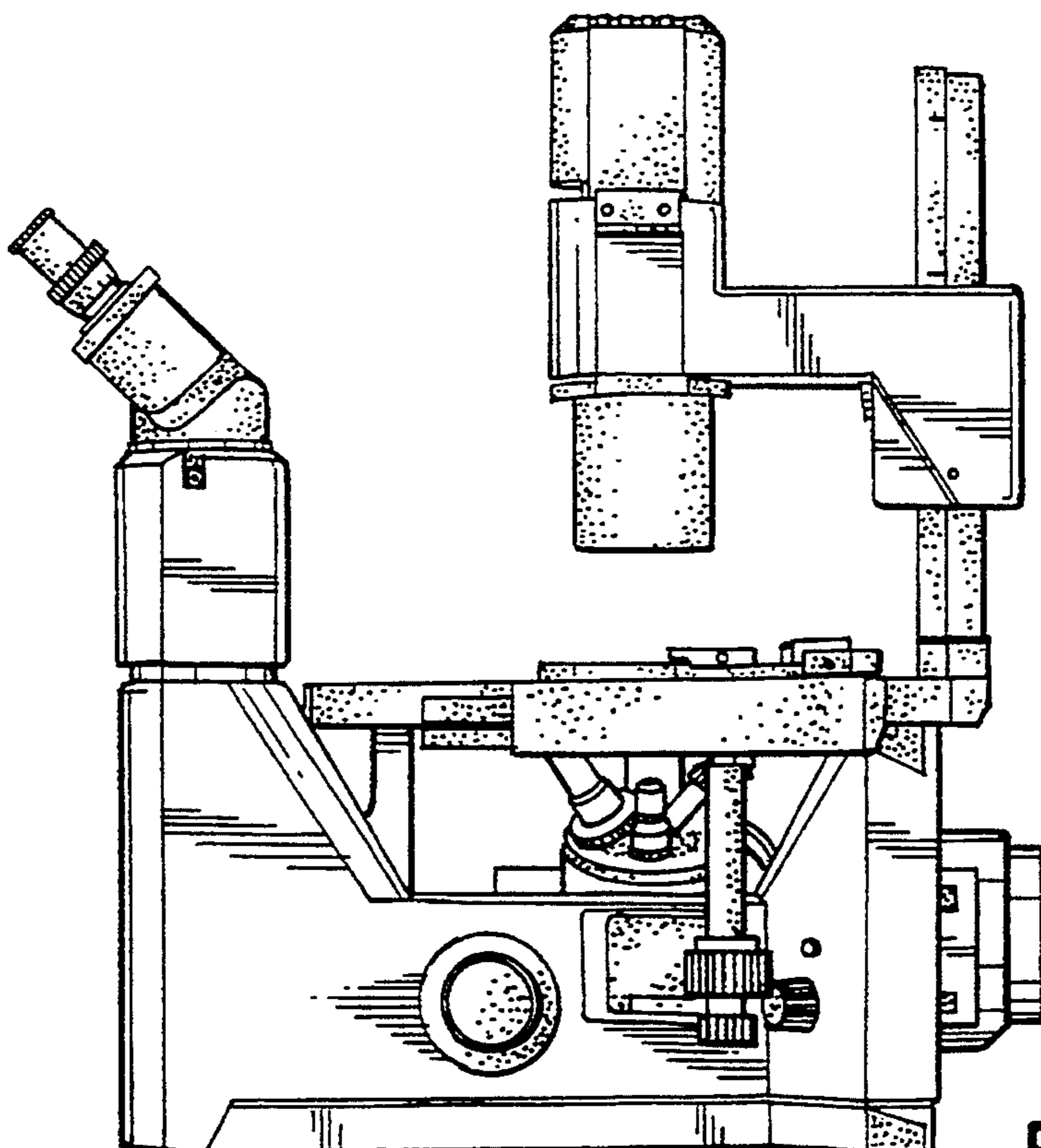


FIG. 5

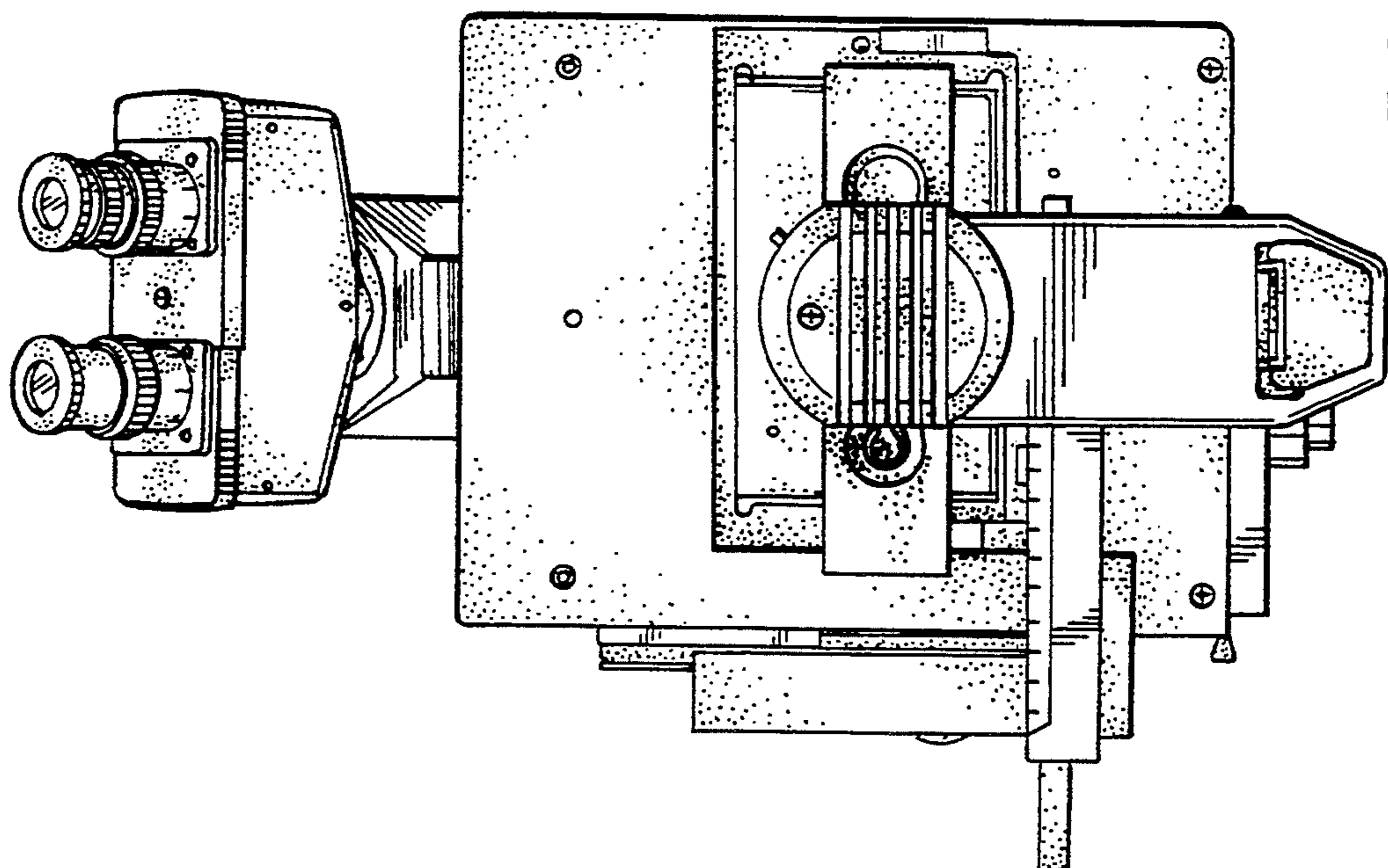


FIG. 6

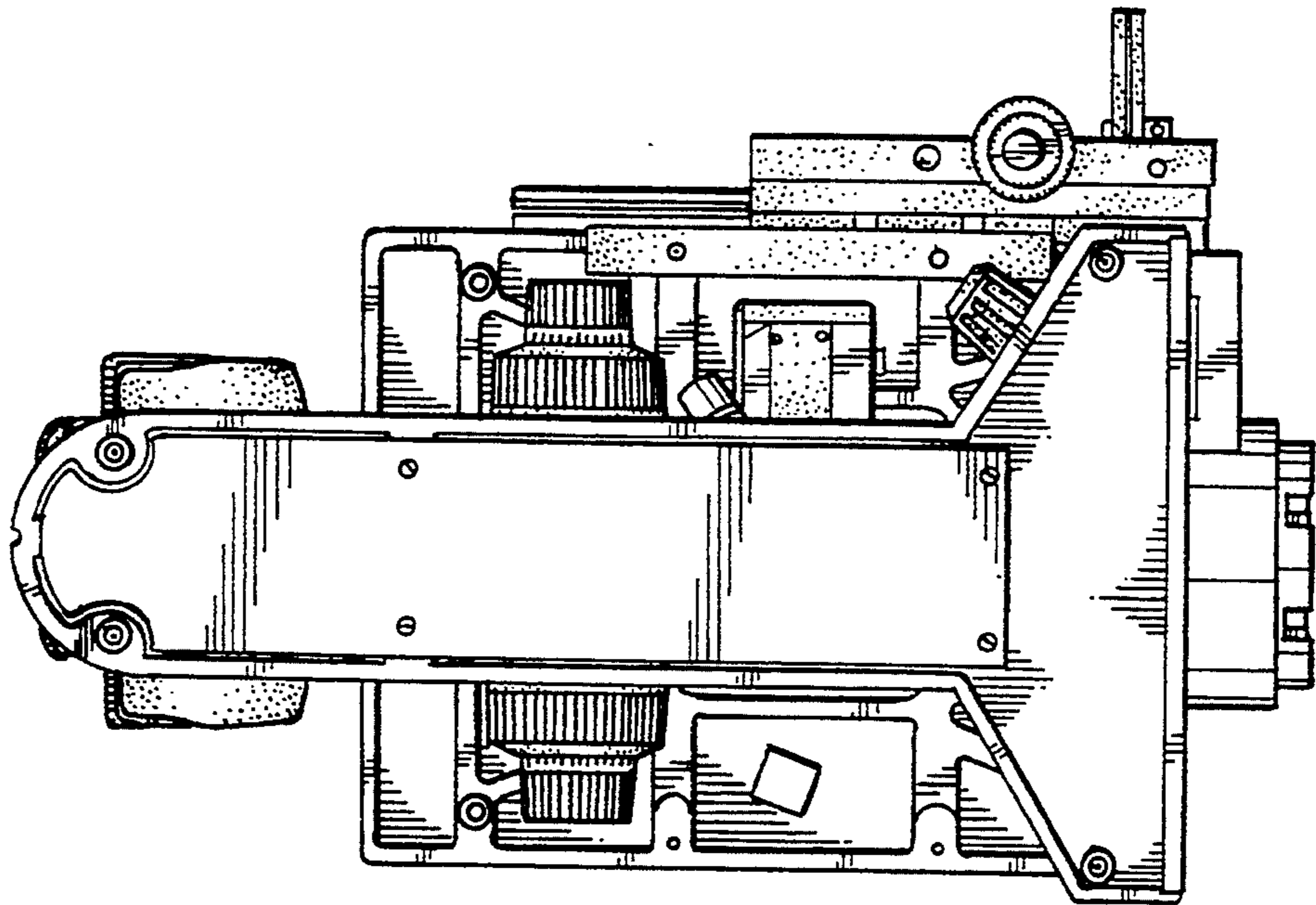


FIG. 7