



US00D354298S

United States Patent [19]

[11] Patent Number: **Des. 354,298**

Keong

[45] Date of Patent: **** Jan. 10, 1995**

[54] **SUNGLASSES WITH HOLOGRAPHIC LENS**

D. 259,295	5/1981	Briggs	D16/112
D. 323,175	1/1992	Jones	D16/102
4,508,526	4/1985	Dutcher	351/47
5,120,119	6/1992	Mats	351/158
5,223,861	6/1993	Wagner	351/158

[75] Inventor: **William C. W. Keong**, Singapore,
Singapore

[73] Assignee: **Lityan Systems (S) PTE Ltd.**,
Singapore

[**] Term: **14 Years**

[21] Appl. No.: **7,355**

[22] Filed: **Apr. 19, 1993**

[30] **Foreign Application Priority Data**

Oct. 27, 1992 [GB] United Kingdom 2026704

[52] U.S. Cl. **D16/306; D16/314**

[58] Field of Search D16/101-103,
D16/107, 110-112, 116-122; 351/44, 47-48,
57, 59, 66, 110, 124-125, 158; 2/431, 447, 449

[56] **References Cited**

U.S. PATENT DOCUMENTS

D. 109,462	4/1938	Strauss	D16/111
D. 158,630	5/1950	Williams	D16/112
D. 215,575	10/1969	Huggins	D16/112

Primary Examiner—Bernard Ansher
Assistant Examiner—R. Barkai

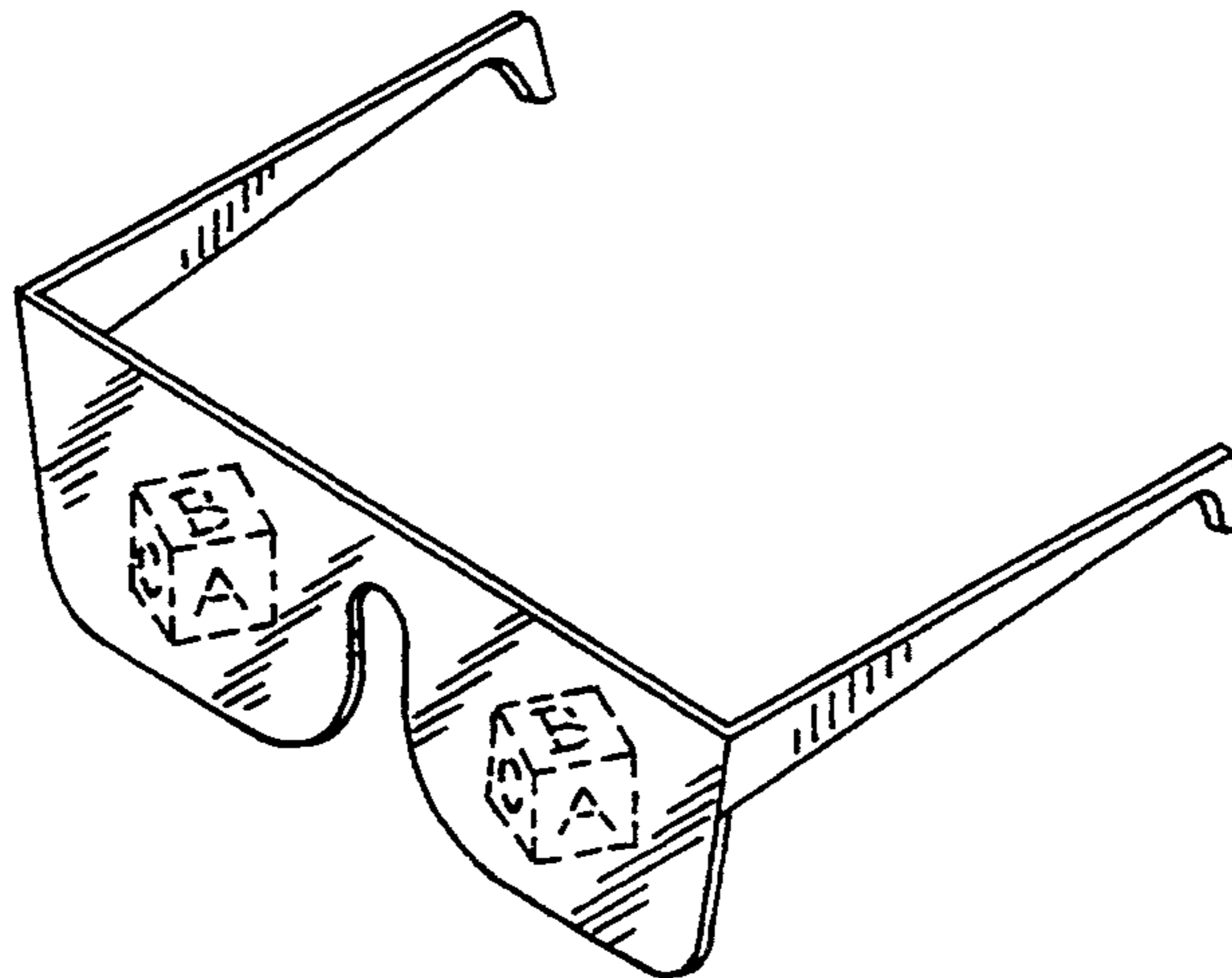
[57] **CLAIM**

The ornamental design for a sunglasses with holographic lens, as shown and described.

DESCRIPTION

FIG. 1 is a front elevational view of a sunglasses with holographic lens showing my new design;
FIG. 2 is a rear elevational view thereof;
FIG. 3 is a top perspective view thereof;
FIG. 4 is a bottom perspective view thereof;
FIG. 5 is a top, front left side perspective view thereof;
and,
FIG. 6 is a top, front right side perspective view thereof.

The fragmentary cube depicted by means of broken lines in the figures has been shown for illustrative purposes only and forms no part of the claimed design.



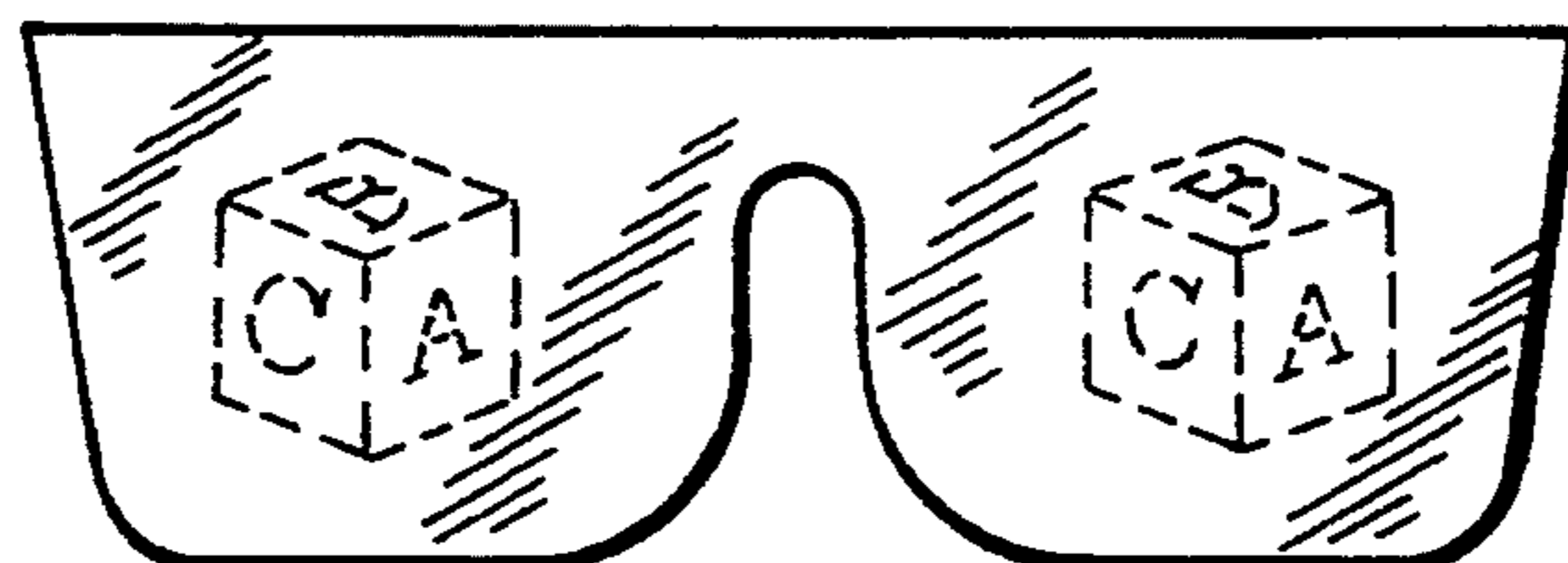


FIG. 1.

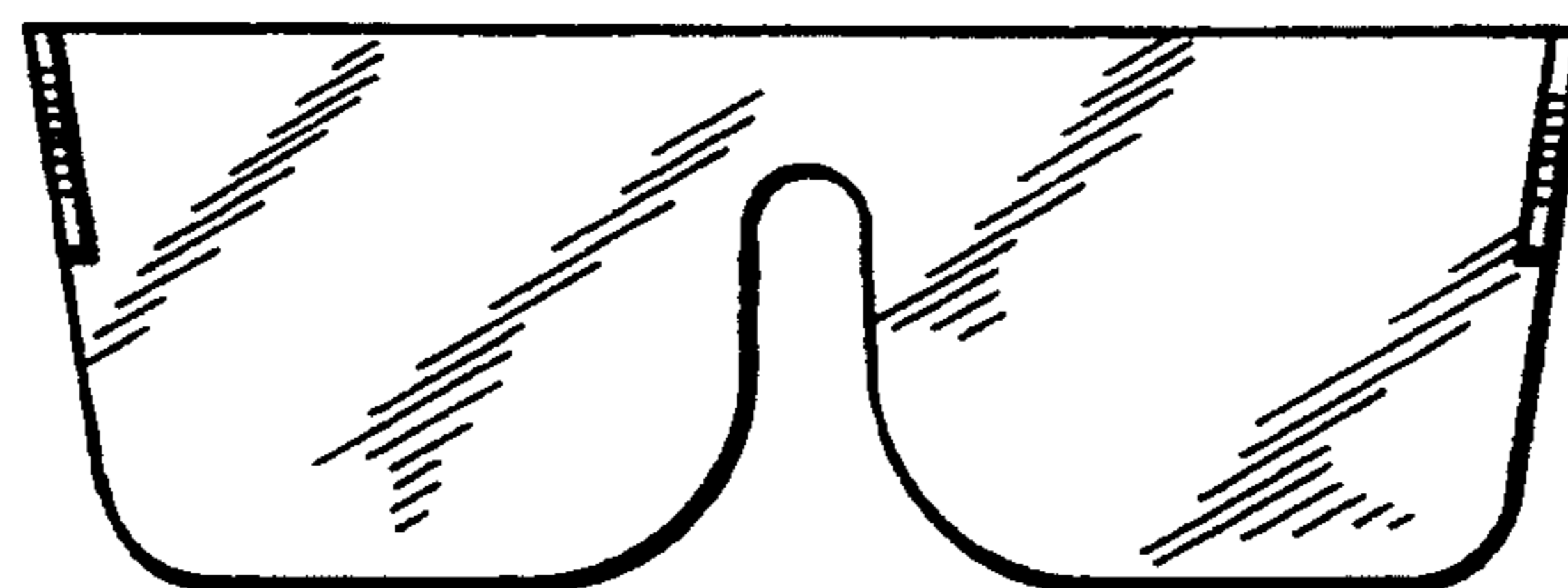


FIG. 2.

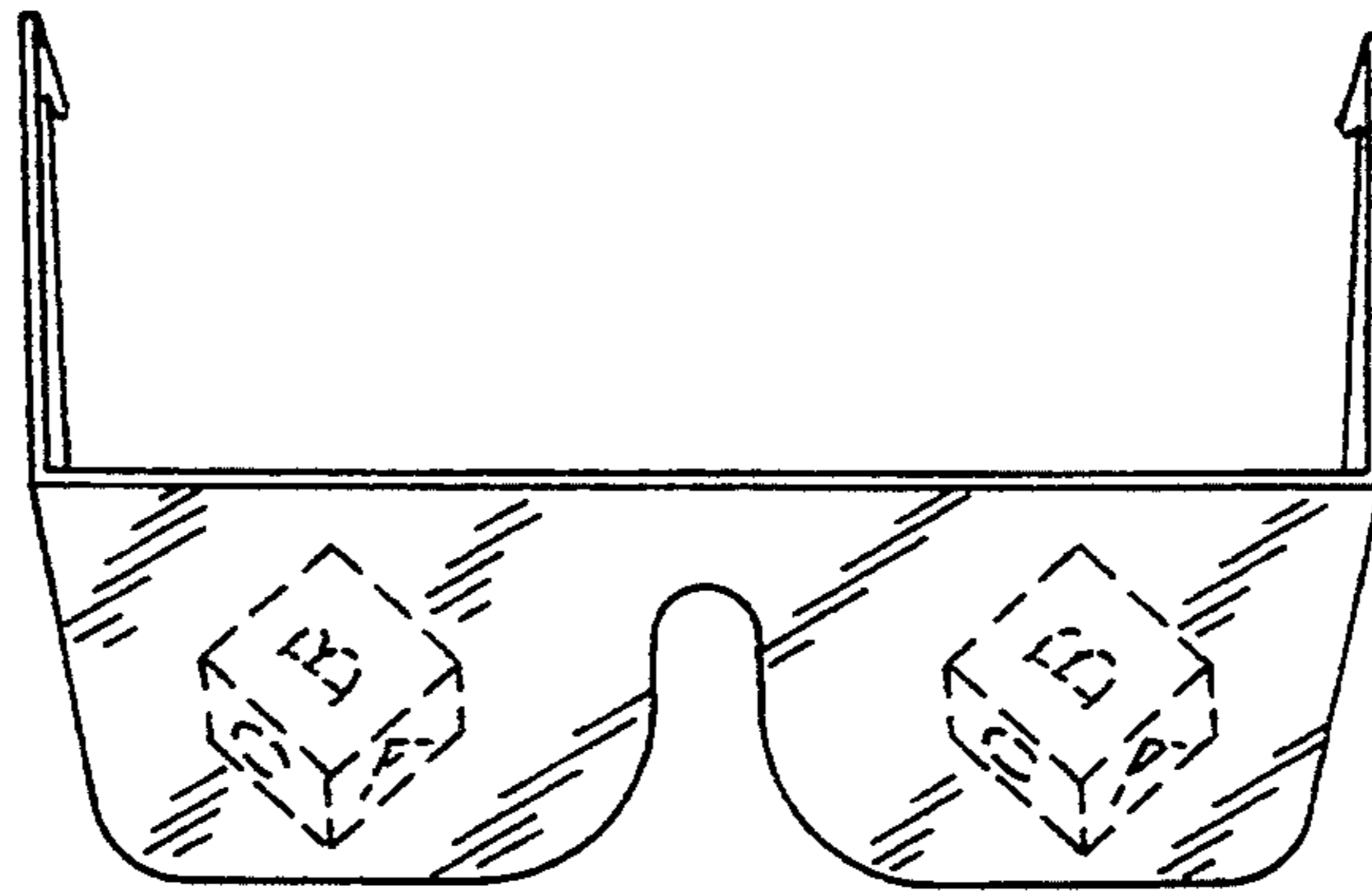


FIG. 3.

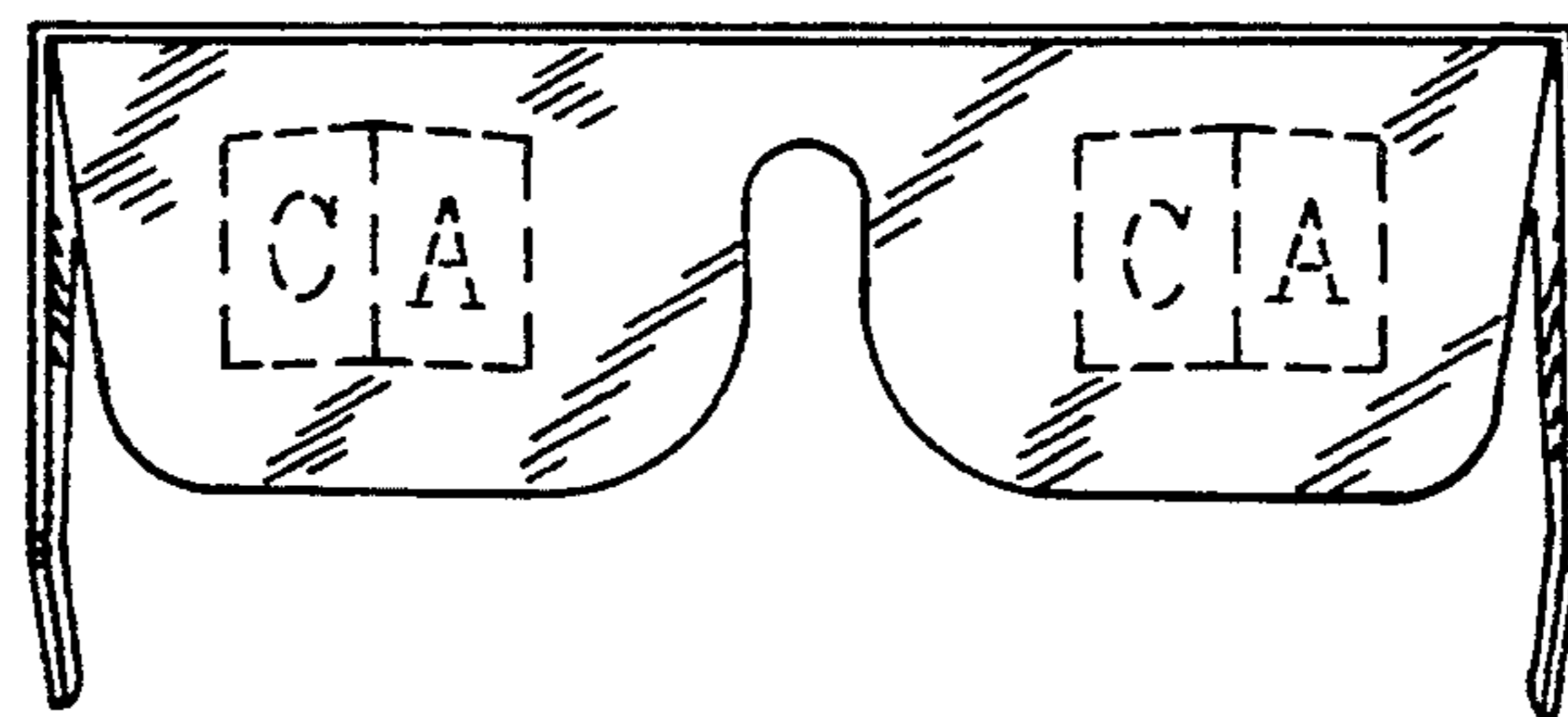


FIG. 4.

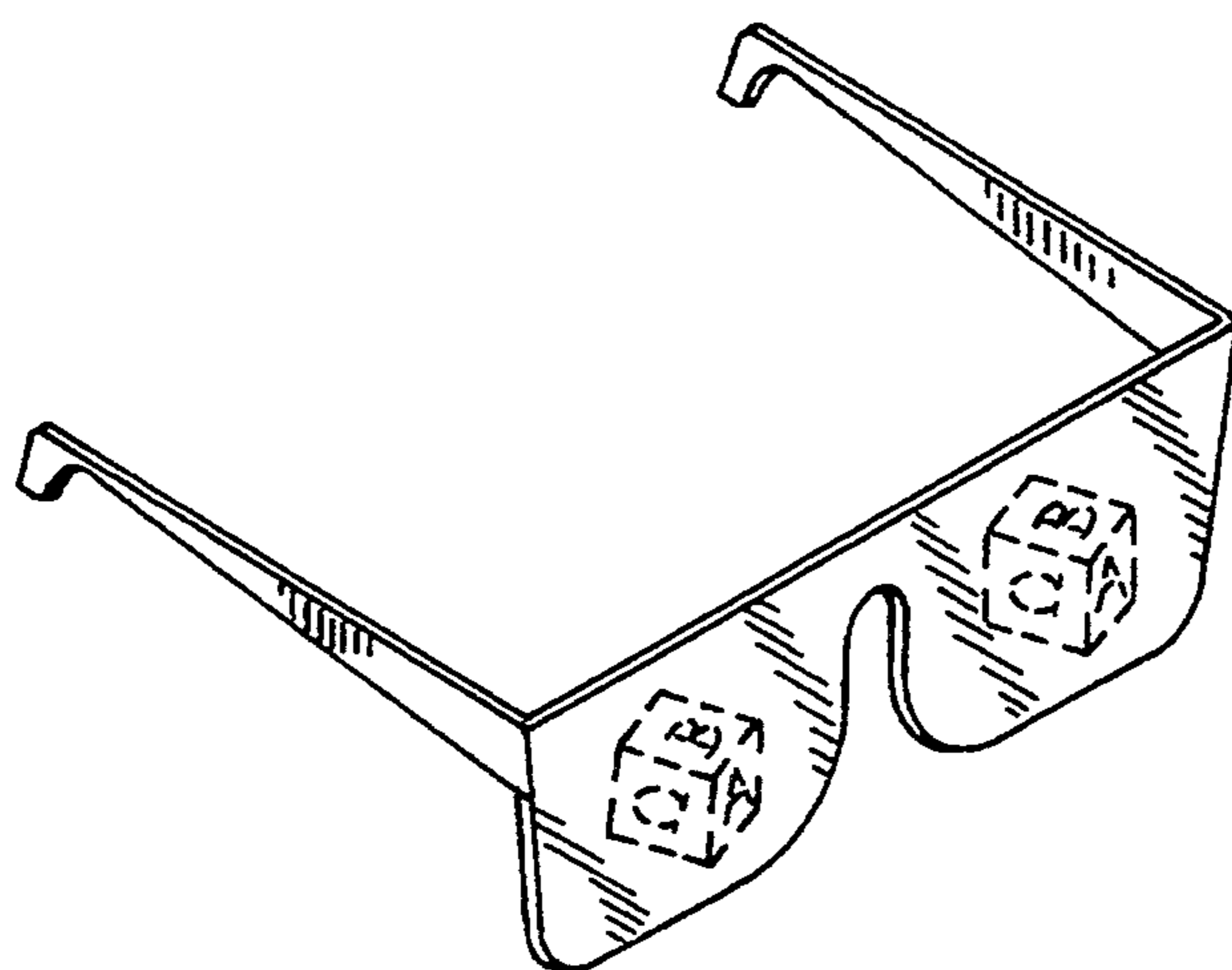


FIG. 5.

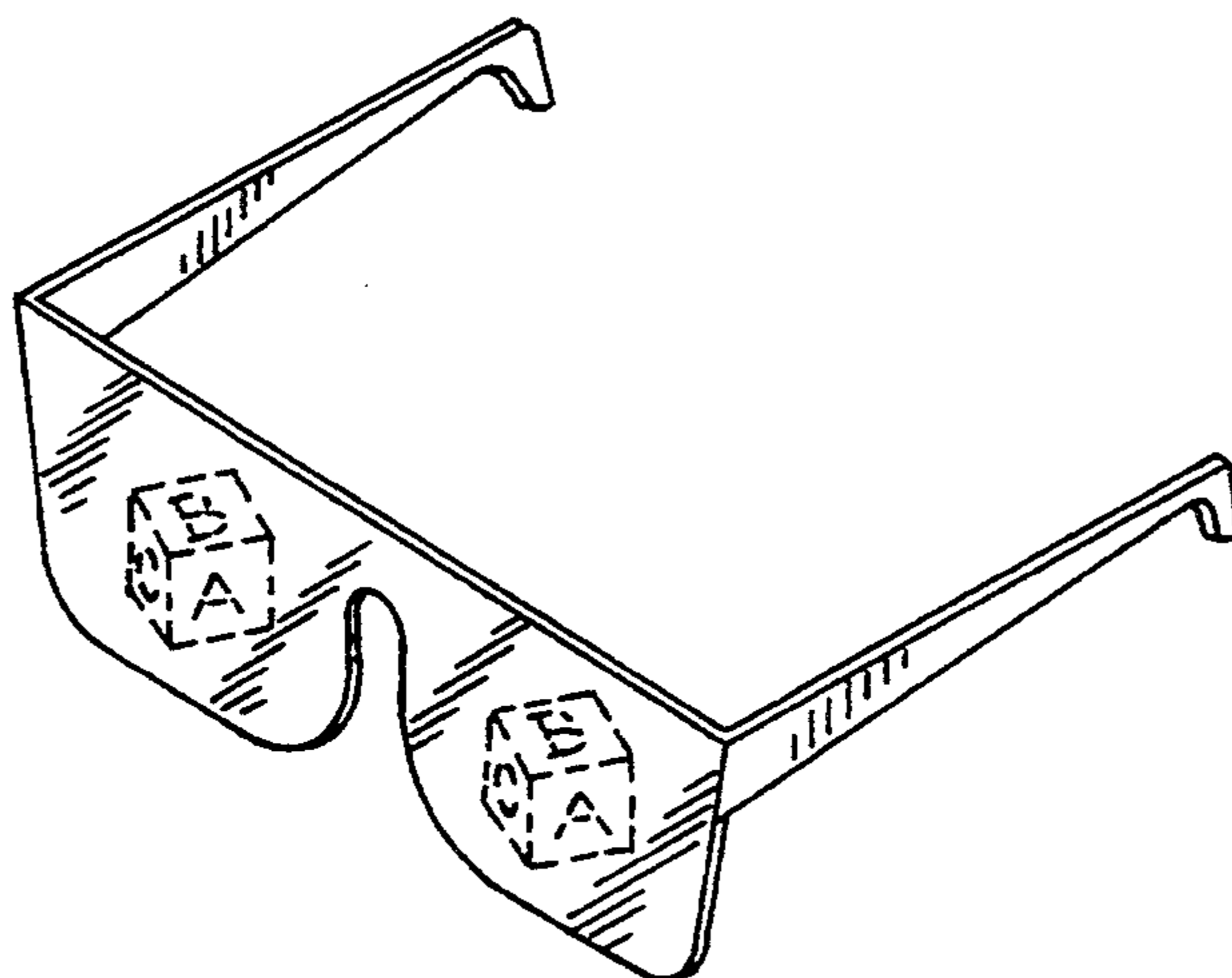


FIG. 6.