



US00D354296S

United States Patent [19]

[11] Patent Number: **Des. 354,296**

Walsh

[45] Date of Patent: **** Jan. 10, 1995**

[54] **FLUID DISPENSING MODULE FOR DISPENSING HEATED FLUIDS, SUCH AS HOT MELT ADHESIVE**

[75] Inventor: **John T. Walsh, Duluth, Ga.**

[73] Assignee: **Nordson Corporation, Westlake, Ohio**

[**] Term: **14 Years**

[21] Appl. No.: **15,096**

[22] Filed: **Nov. 8, 1993**

[52] U.S. Cl. **D15/144.2**

[58] Field of Search **D15/144, 144.1, 144.2; D23/213; 118/313, 323, 697; 222/146.5, 189, 482, 504; 427/286, 208.2; 901/43**

[56] **References Cited**

U.S. PATENT DOCUMENTS

D. 281,168	10/1985	Scholl et al.	D15/144
4,486,665	12/1984	Cocks et al.	222/146.5
4,753,824	6/1988	Toda et al.	427/286

OTHER PUBLICATIONS

Spraymation, Inc.; Thermopulse Electromatic V, Heated Solenoid Operated Dispensing; Head (date of publication precedes the filing date of Nov. 8, 1993).
Spraymation, Inc.; Electromatic XV, Solenoid Operated Extrusion Head & Spray Gun; (date of publication precedes the filing date of Nov. 8, 1993).

Spraymation, Inc.; Exclusive Electromatic Head; (date of publication precedes the filing date of Nov. 8, 1993). Hot Melt Equipment Catalog, Jun., 1991, pp. i, 4-2, 5-1, 5-2, 7-3, 7-9, 7-13, and 9-1; Nordson Corp.: (date of publication precedes the filing date of Nov. 8, 1993).

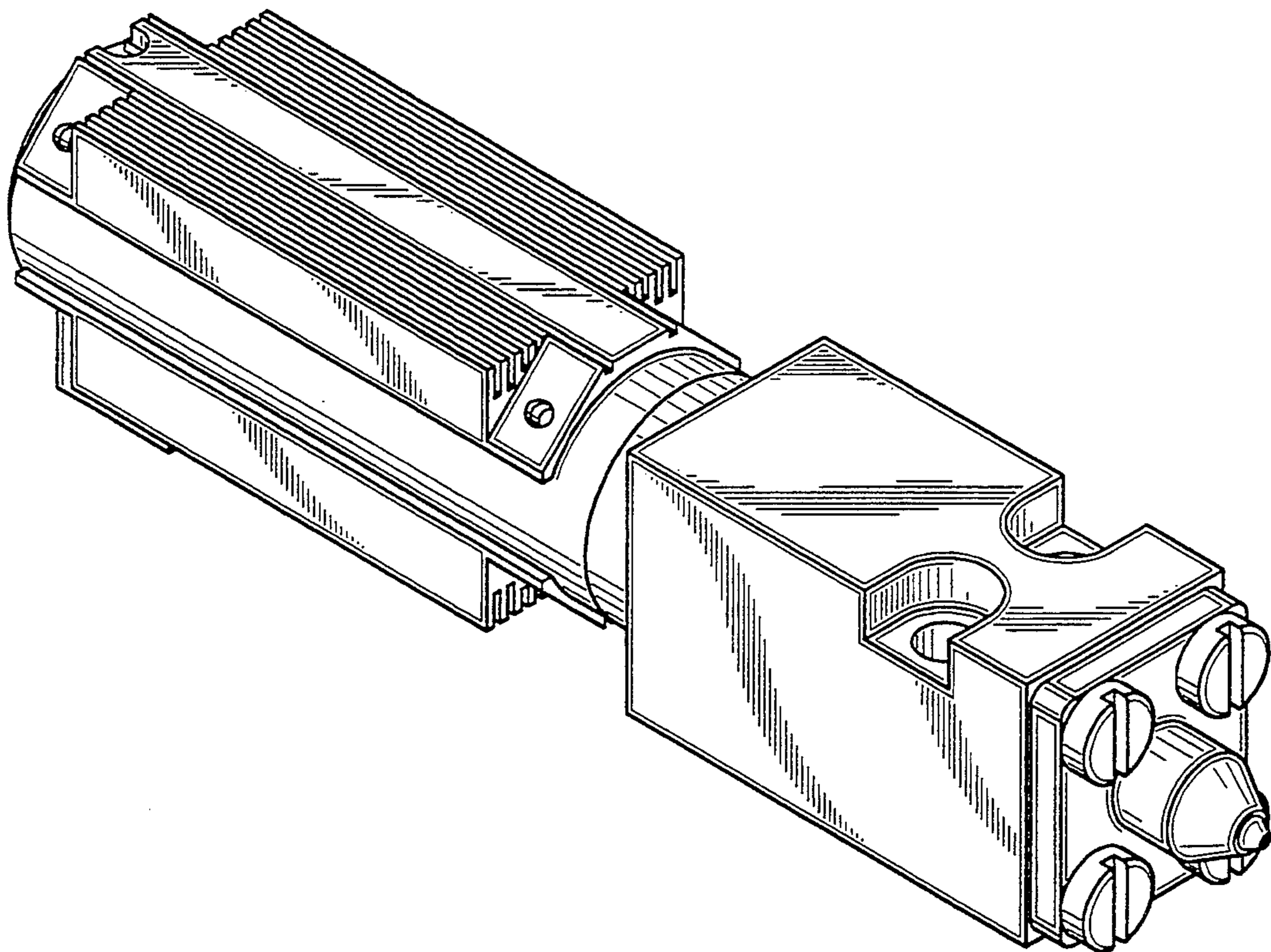
Primary Examiner—Alan P. Douglas
Assistant Examiner—Antoine D. Davis
Attorney, Agent, or Firm—Raymond J. Slattery, III

[57] **CLAIM**

The ornamental design for a fluid dispensing module for dispensing heated fluids, such as hot melt adhesive, as shown and described.

DESCRIPTION

FIG. 1 is a perspective view of the front of a new design for a fluid dispensing module for dispensing heated fluids, such as hot melt adhesive;
FIG. 2 is a front, elevational view of the fluid dispensing module for dispensing heated fluids, such as hot melt adhesive of FIG. 1;
FIG. 3 is a side elevational view thereof;
FIG. 4 is a back, elevational view of the fluid dispensing module for dispensing heated fluids, such as hot melt adhesive of FIG. 1;
FIG. 5 is a top elevational view thereof;
FIG. 6 is a bottom elevational view thereof; and,
FIG. 7 is a perspective view of the back of the fluid dispensing module for dispensing heated fluids, such as hot melt adhesive.



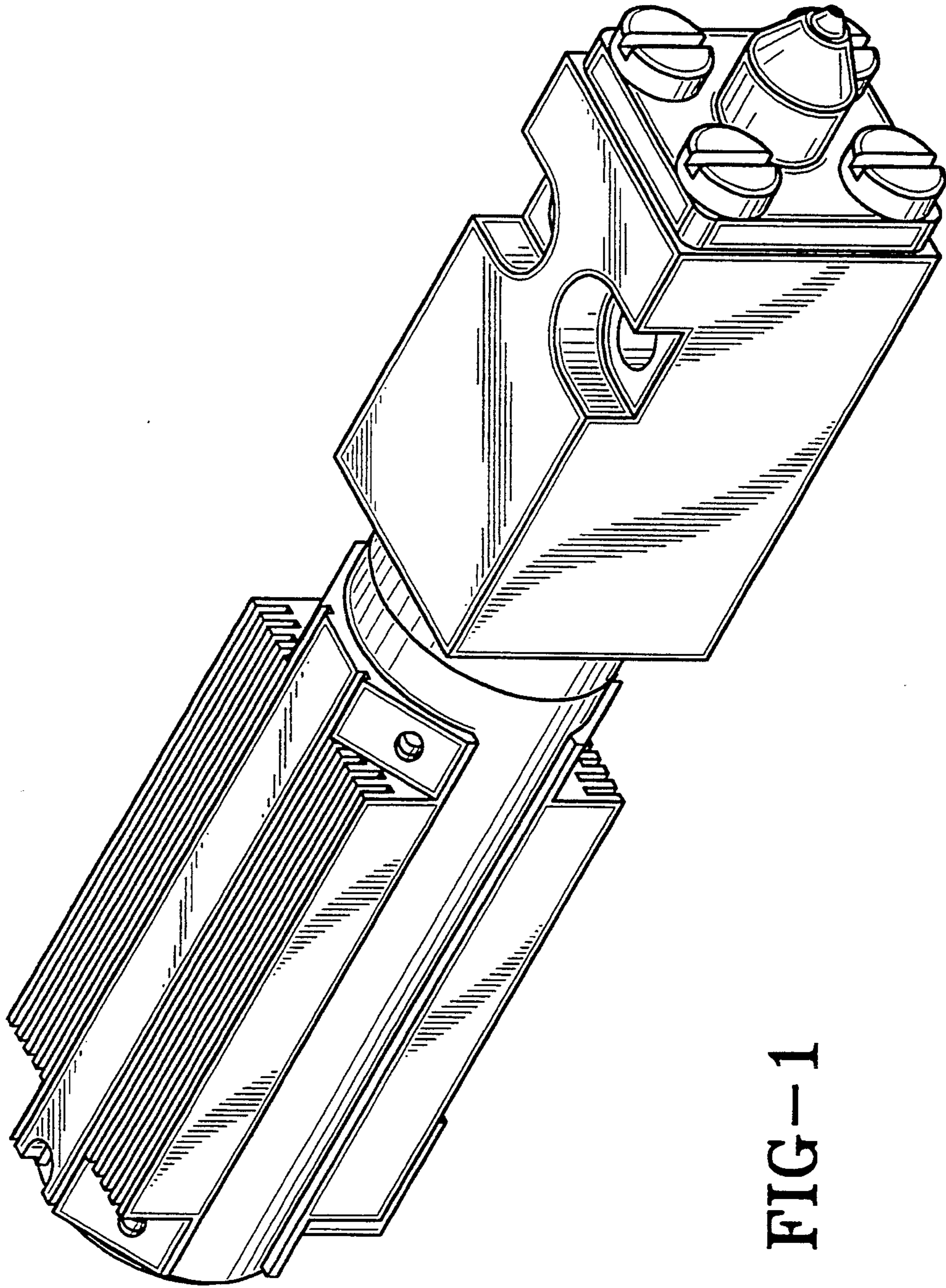


FIG-1

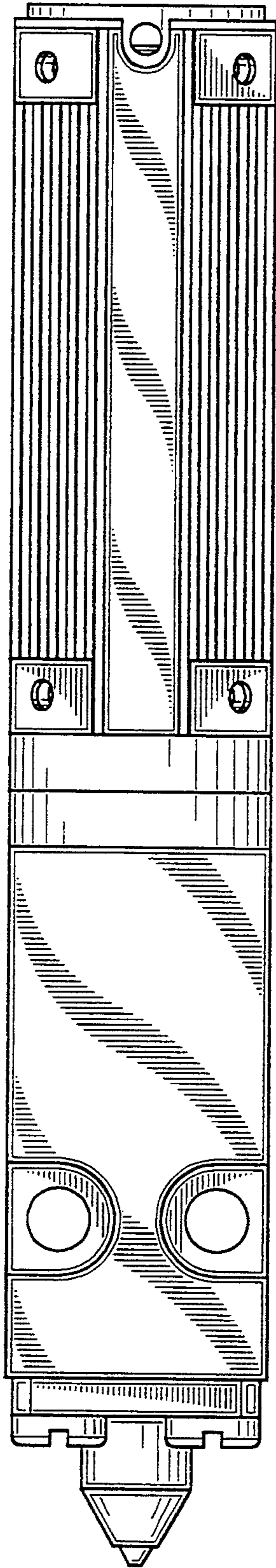


FIG-2

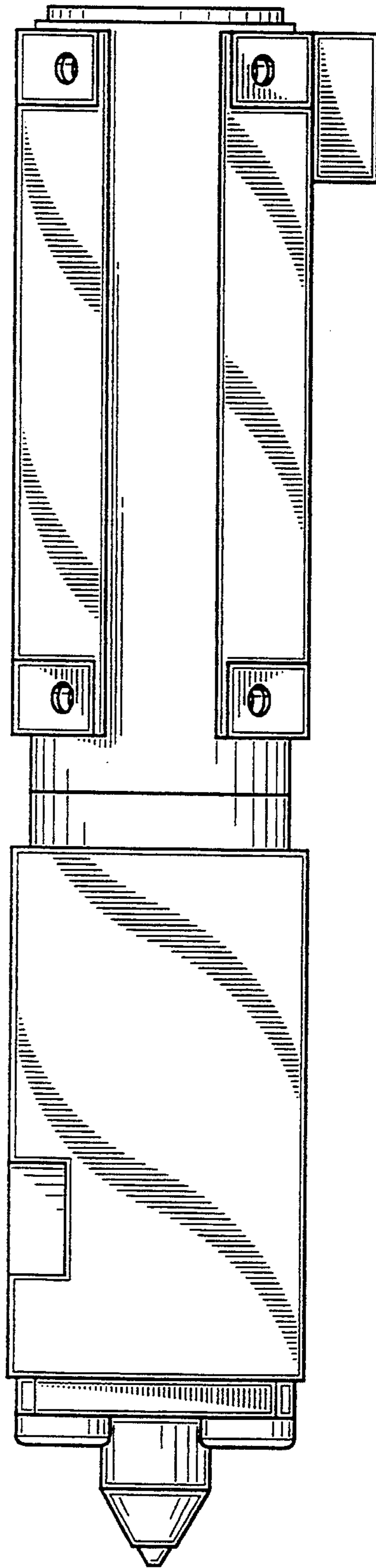


FIG-3

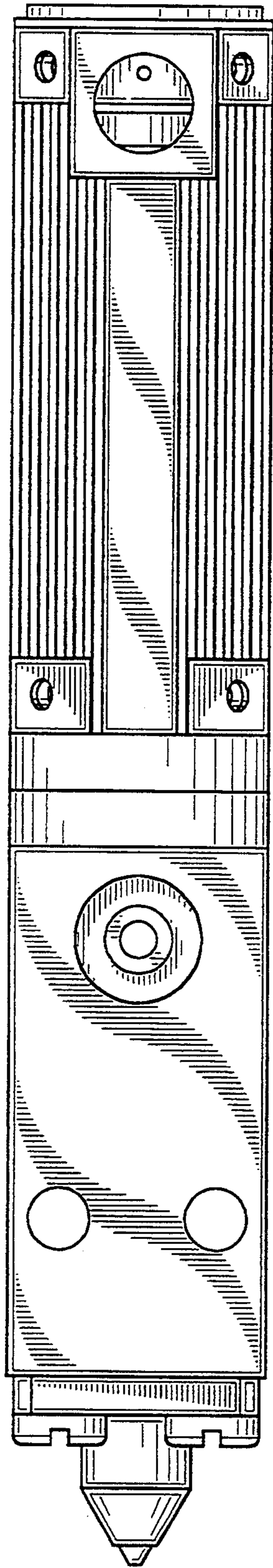


FIG-4

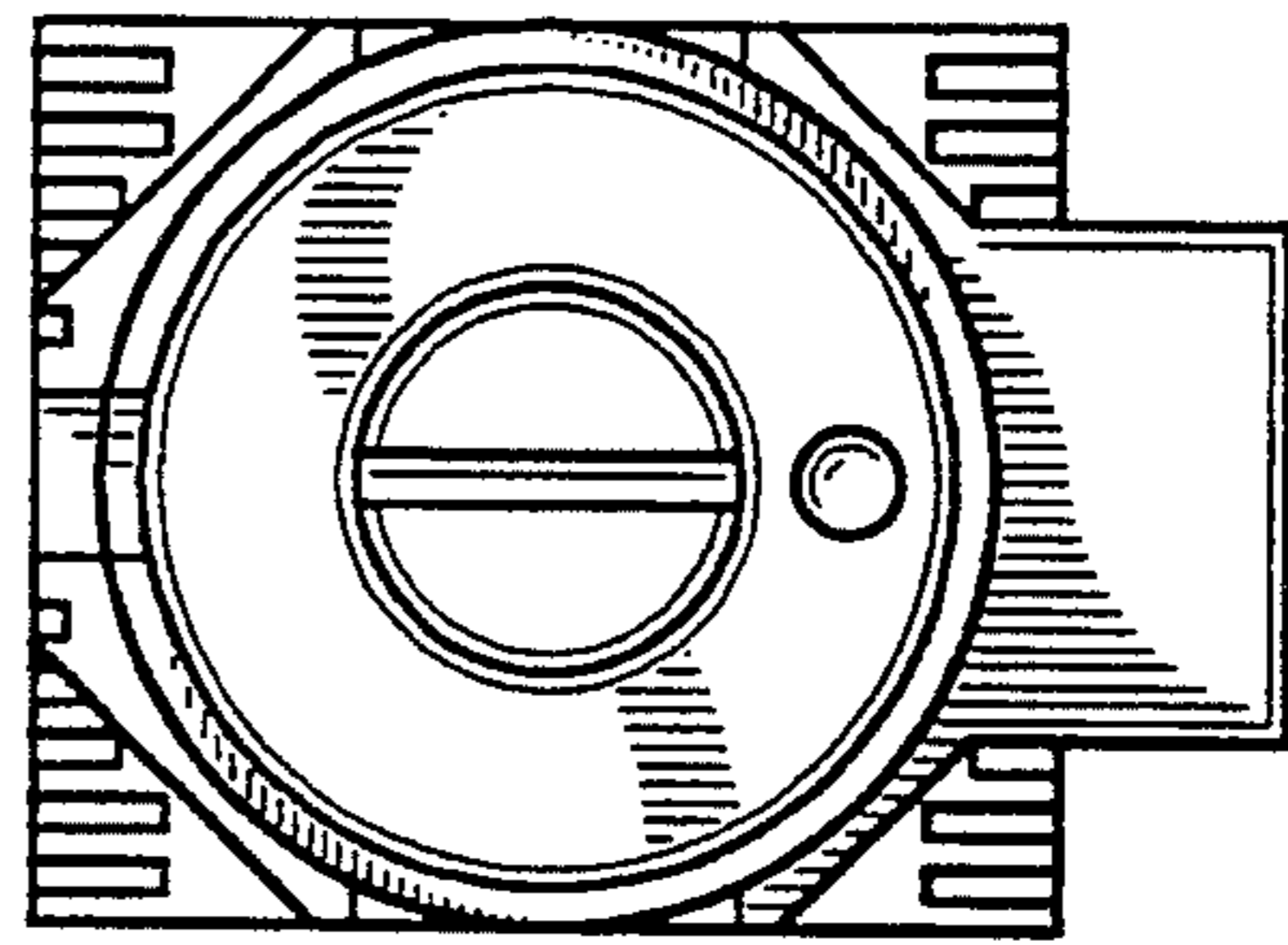


FIG-5

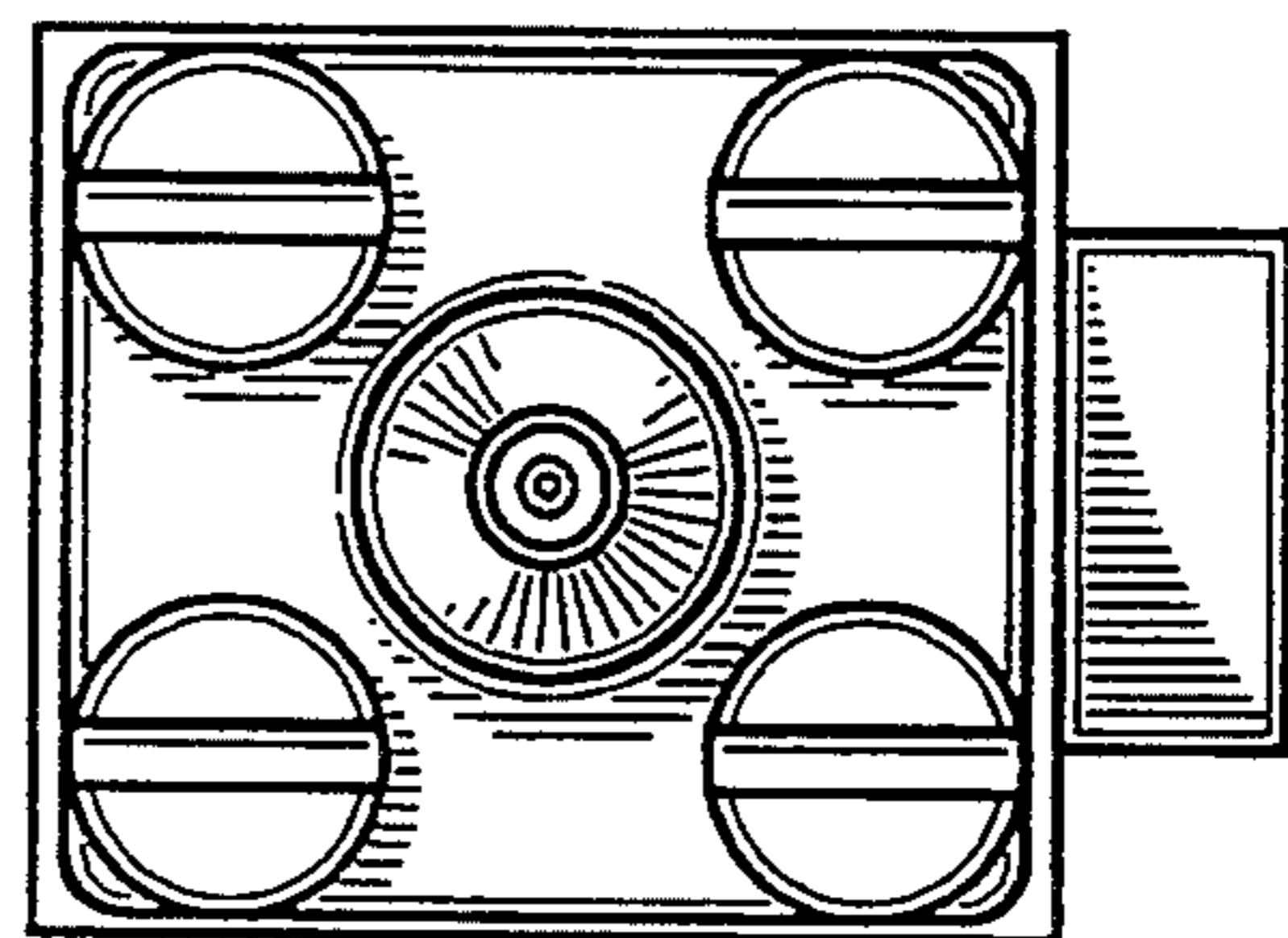


FIG-6

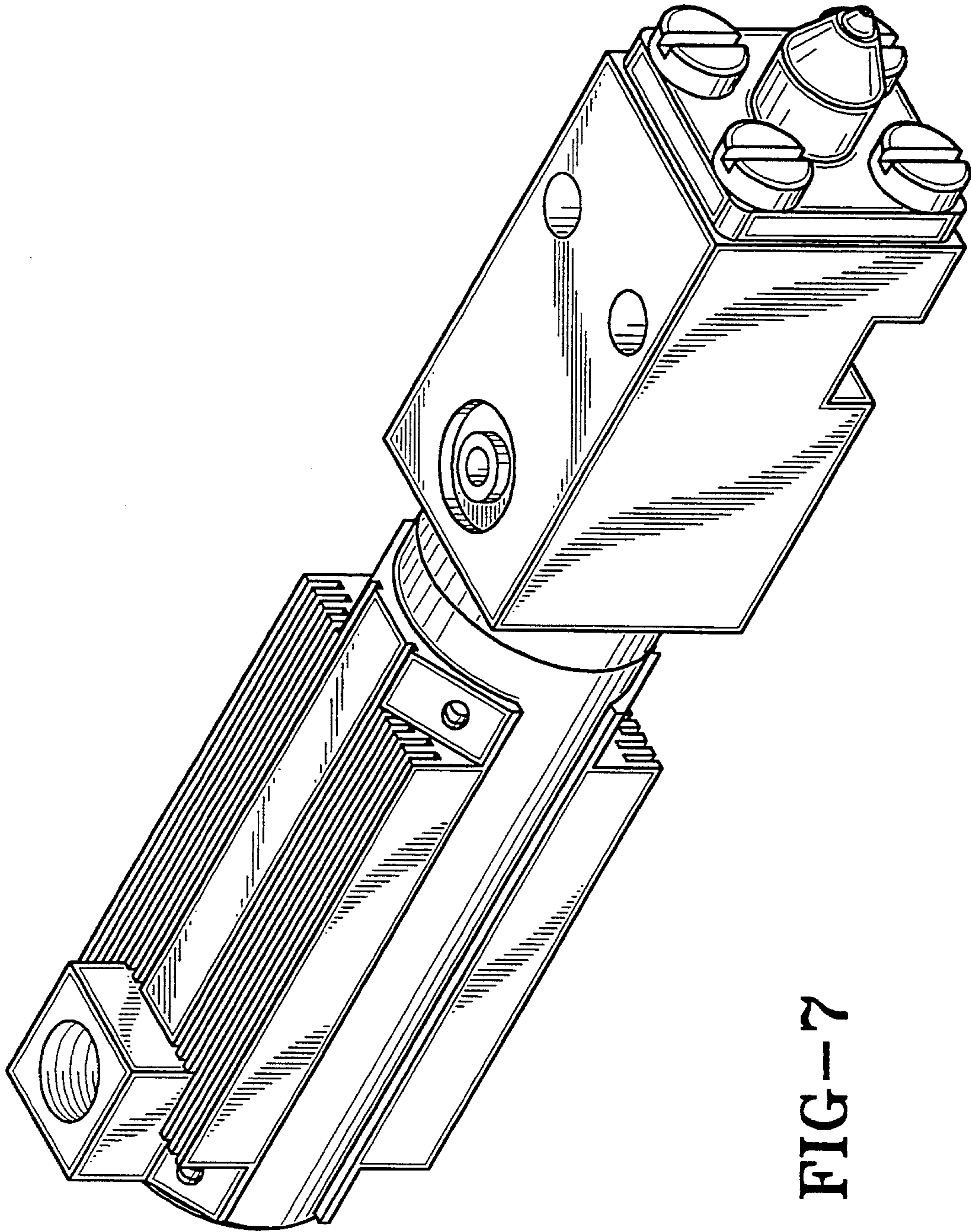


FIG-7