



US00D354295S

United States Patent [19]

[11] Patent Number: **Des. 354,295**

Walsh et al.

[45] Date of Patent: **** Jan. 10, 1995**

- [54] **FLUID DISPENSING MODULE FOR DISPENSING HEATED FLUIDS, SUCH AS HOT MELT ADHESIVE**
- [75] Inventors: **John T. Walsh**, Duluth; **Timothy M. Hubbard**, Canton; **Taiwo T. Osinaiya**, Stone Mountain, all of Ga.
- [73] Assignee: **Nordson Corporation**, Westlake, Ohio
- [**] Term: **14 Years**
- [21] Appl. No.: **15,099**
- [22] Filed: **Nov. 8, 1993**
- [52] U.S. Cl. **D15/144.2; D23/213**
- [58] Field of Search **D15/144, 144.1, 144.2; 118/313, 323, 697; 222/146.5, 189, 482, 504; 427/286, 208.2; 901/43; D23/213**

[56] **References Cited**

U.S. PATENT DOCUMENTS

D. 281,168	10/1985	Scholl et al.	D15/144
4,488,665	12/1984	Cocks et al.	222/146.5
4,753,824	6/1988	Toda et al.	427/286

OTHER PUBLICATIONS

Spraymation, Inc.; Thermopulse Electromatic V, Heated Solenoid Operated Dispensing Head, (date of publication precedes the filing date of Nov. 8, 1993).
 Spraymation, Inc.; Electromatic XV, Solenoid Oper-

ated Extrusion Head & Spray Gun, (date of publication precedes the filing date of Nov. 8, 1993).
 Spraymation, Inc.; Exclusive Electromatic Head, (date of publication precedes the filing of Nov. 8, 1993).
 Hot Melt Equipment Catalog, Jun., 1991, pp. 1, 4-2, 5-1, 5-2, 7-3, 7-9, 7-13, and 9-1; Nordson Corp.

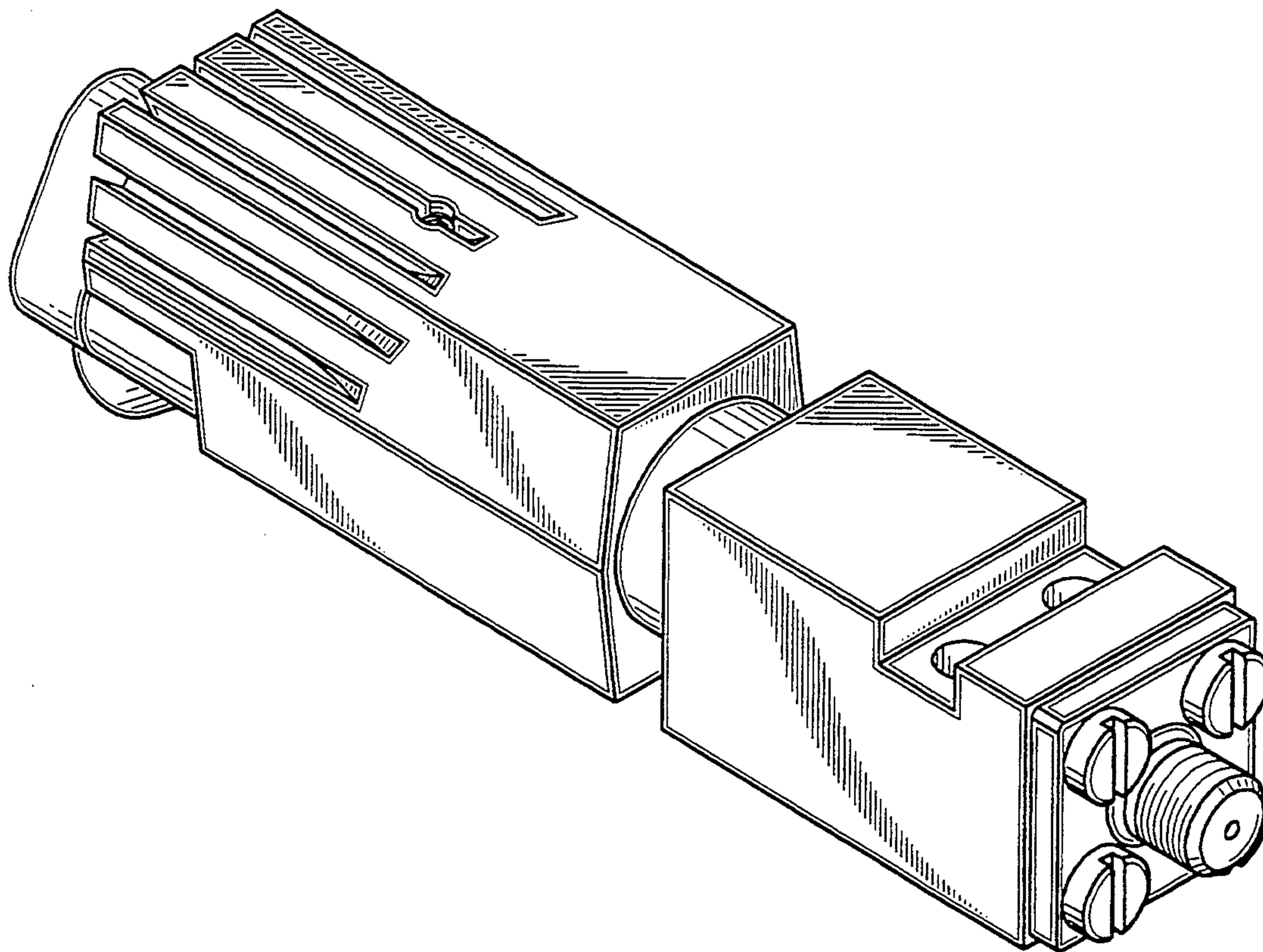
Primary Examiner—Alan P. Douglas
Assistant Examiner—Antoine D. Davis
Attorney, Agent, or Firm—Raymond J. Slattery, III

[57] **CLAIM**

The ornamental design for a fluid dispensing module for dispensing heated fluids, such as hot melt adhesive, as shown and described.

DESCRIPTION

FIG. 1 is a perspective view of a new design for a fluid dispensing module for dispensing heated fluids, such as hot melt adhesive;
 FIG. 2 is a front, elevational view of the fluid dispensing module for dispensing heated fluids, such as hot melt adhesive of FIG. 1;
 FIG. 3 is a side elevational view thereof;
 FIG. 4 is a back, elevational view of the fluid dispensing module for dispensing heated fluids, such as hot melt adhesive of FIG. 1;
 FIG. 5 is a top elevational view thereof; and,
 FIG. 6 is a bottom elevational view thereof.



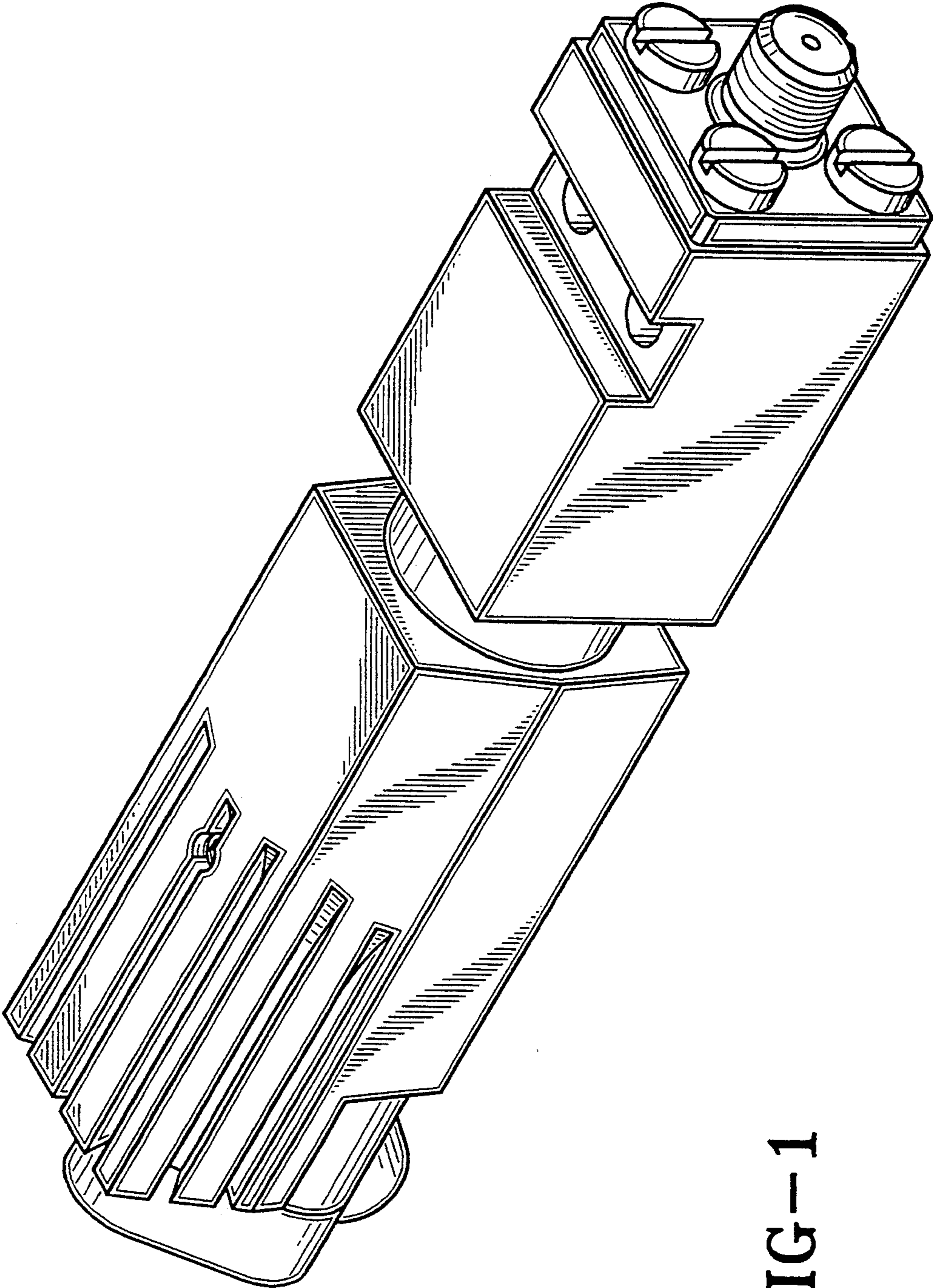


FIG-1

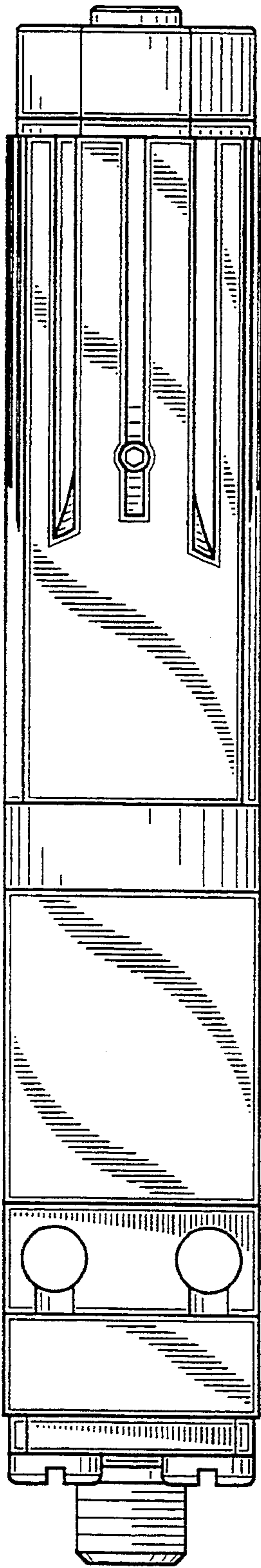


FIG-2

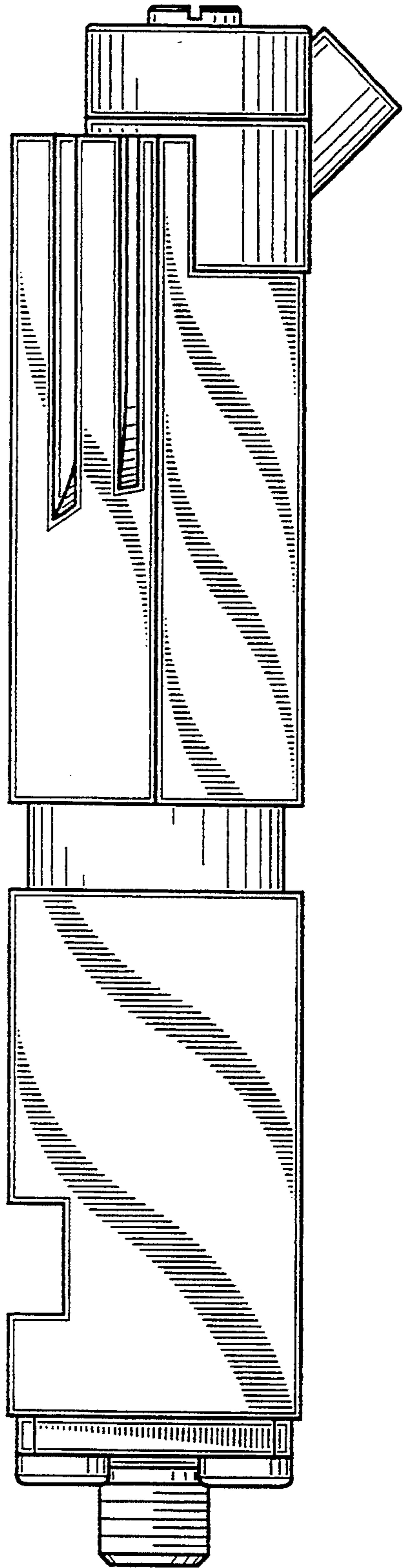


FIG-3

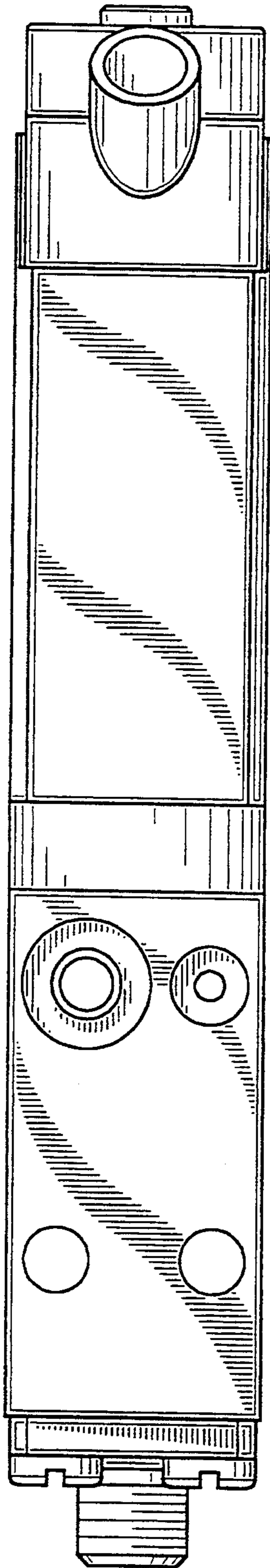


FIG-4

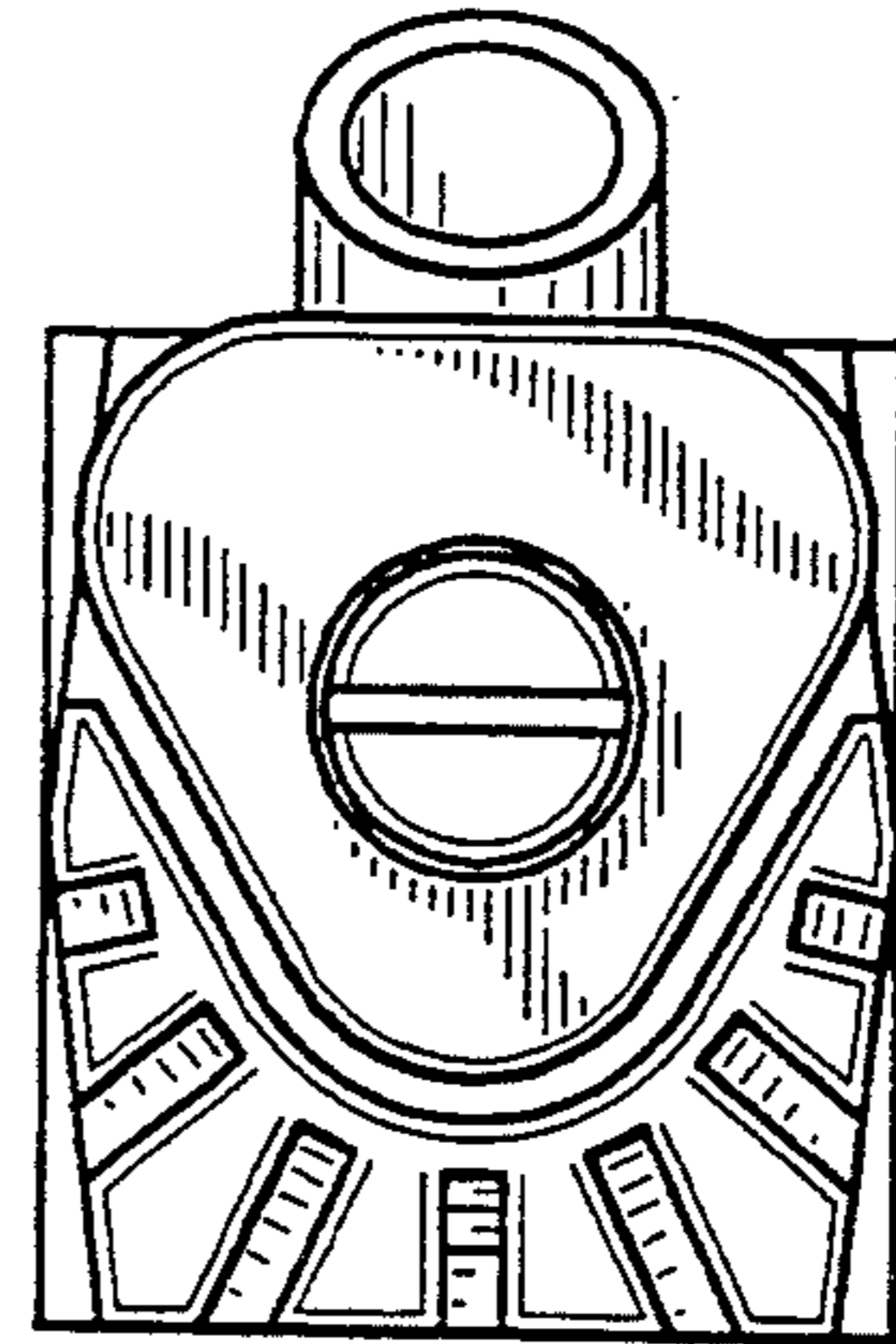


FIG-5

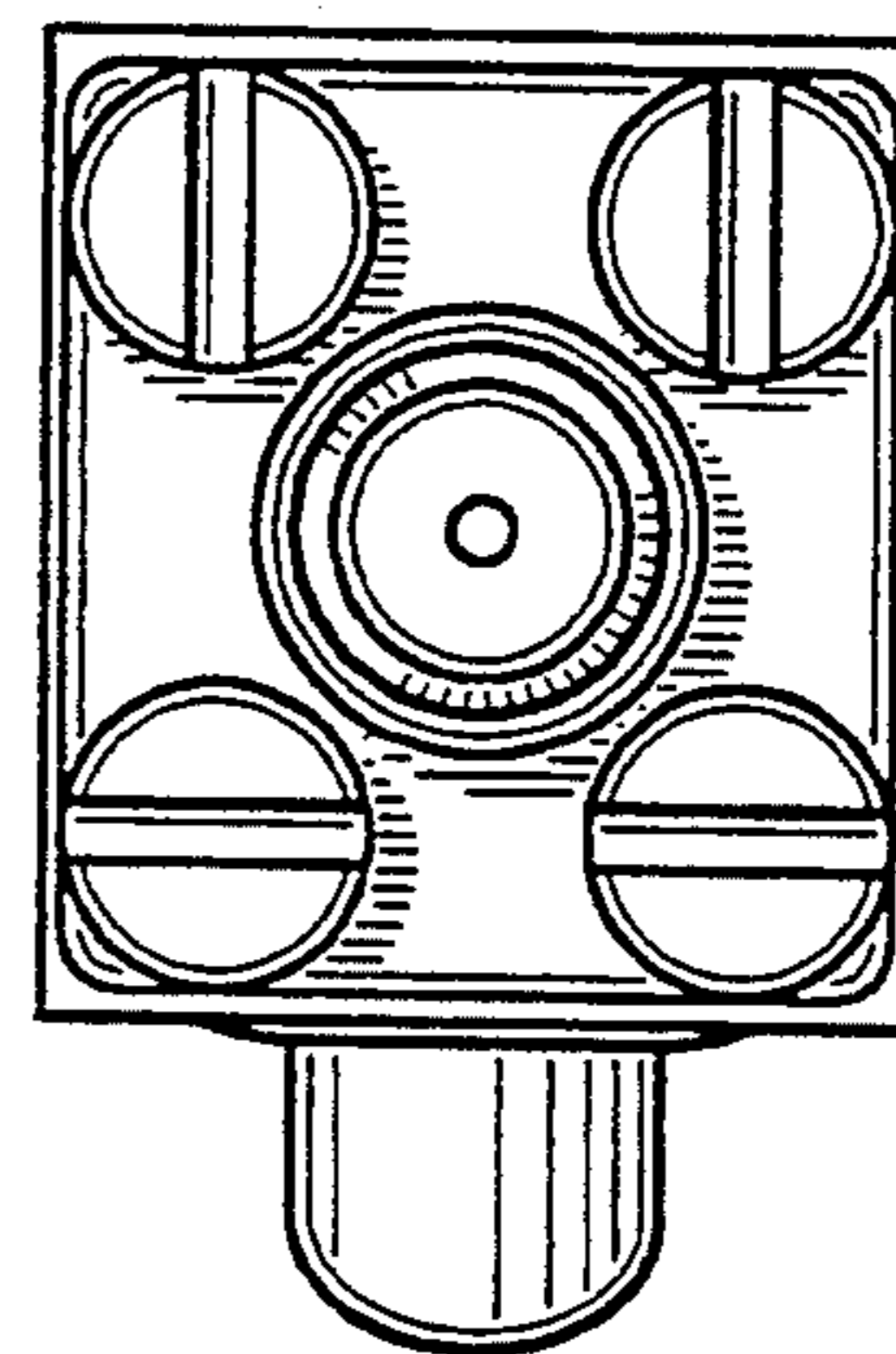


FIG-6