



US00D354294S

# United States Patent [19]

[11] Patent Number: **Des. 354,294**

Lee

[45] Date of Patent: **\*\* Jan. 10, 1995**

[54] **BEARING BRACKET**

[75] Inventor: **Sang I. Lee**, Seoul, Rep. of Korea

[73] Assignee: **Bloxwich Korea Co., Ltd.**, Kyongju City, Rep. of Korea

[\*\*] Term: **14 Years**

[21] Appl. No.: **11,946**

[22] Filed: **Aug. 18, 1993**

[52] U.S. Cl. .... **D15/143**

[58] Field of Search ..... D8/349, 354, 357; D15/143, 138; 310/42, 89, 90, 91, 40, 1, 258, 216; 160/170, 171, 300; 72/35, 237, 244, 248, 456; 388/184 R, 184 A, 167, 237 R, 187.1, 187.2; 384/202, 203, 215, 220, 221, 222

4,392,694 7/1983 Reynolds ..... 388/184 R  
 4,423,612 1/1984 Uppaluri ..... 72/35  
 4,522,244 6/1985 Brolin ..... 160/170  
 5,068,556 11/1991 Lykes et al. .... 310/90

*Primary Examiner*—Alan P. Douglas  
*Assistant Examiner*—Antoine D. Davis  
*Attorney, Agent, or Firm*—Hedman, Gibson & Costigan

## [57] CLAIM

The ornamental design for a bearing bracket, as shown and described.

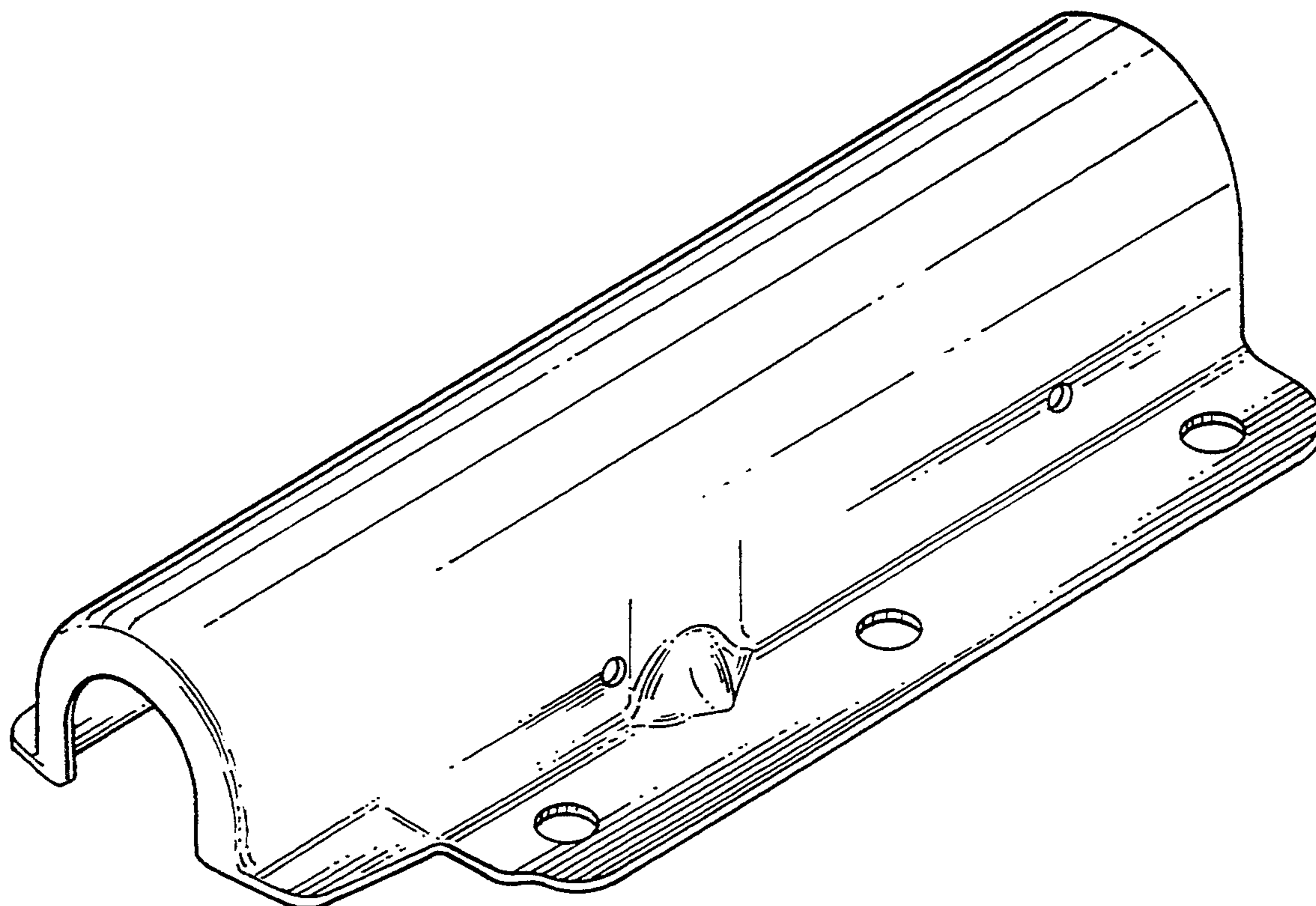
## DESCRIPTION

FIG. 1 is a perspective view of the bearing bracket of the present invention;  
 FIG. 2 is a top plan view thereof;  
 FIG. 3 is a bottom plan view thereof;  
 FIG. 4 is a front view thereof, the rear view being a mirror image;  
 FIG. 5 is a left side view thereof; and,  
 FIG. 6 is a right side view thereof.

[56] **References Cited**

**U.S. PATENT DOCUMENTS**

D. 31,829 11/1899 See ..... D15/143  
 D. 273,085 3/1984 Wetmore ..... D8/354



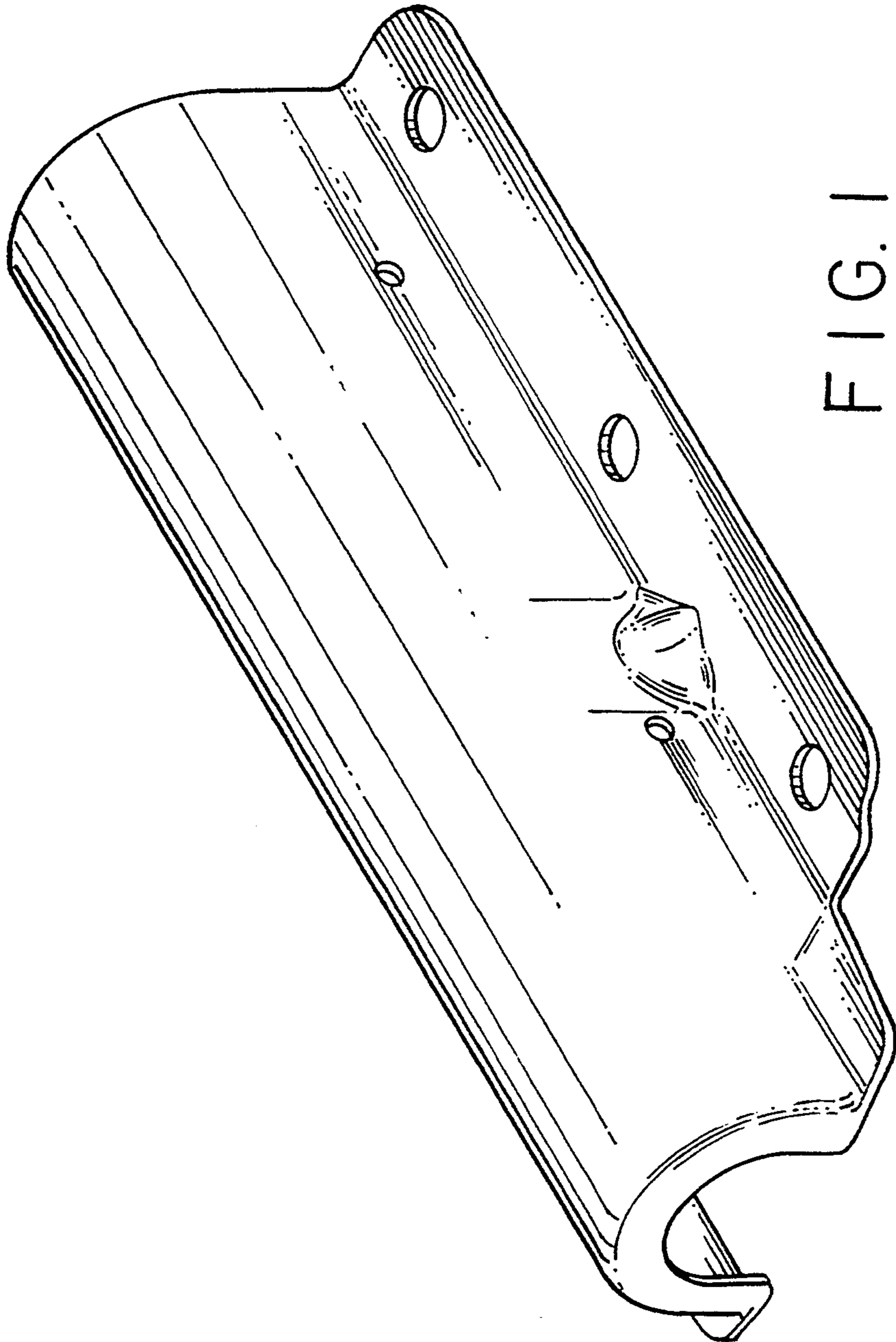


FIG. 1

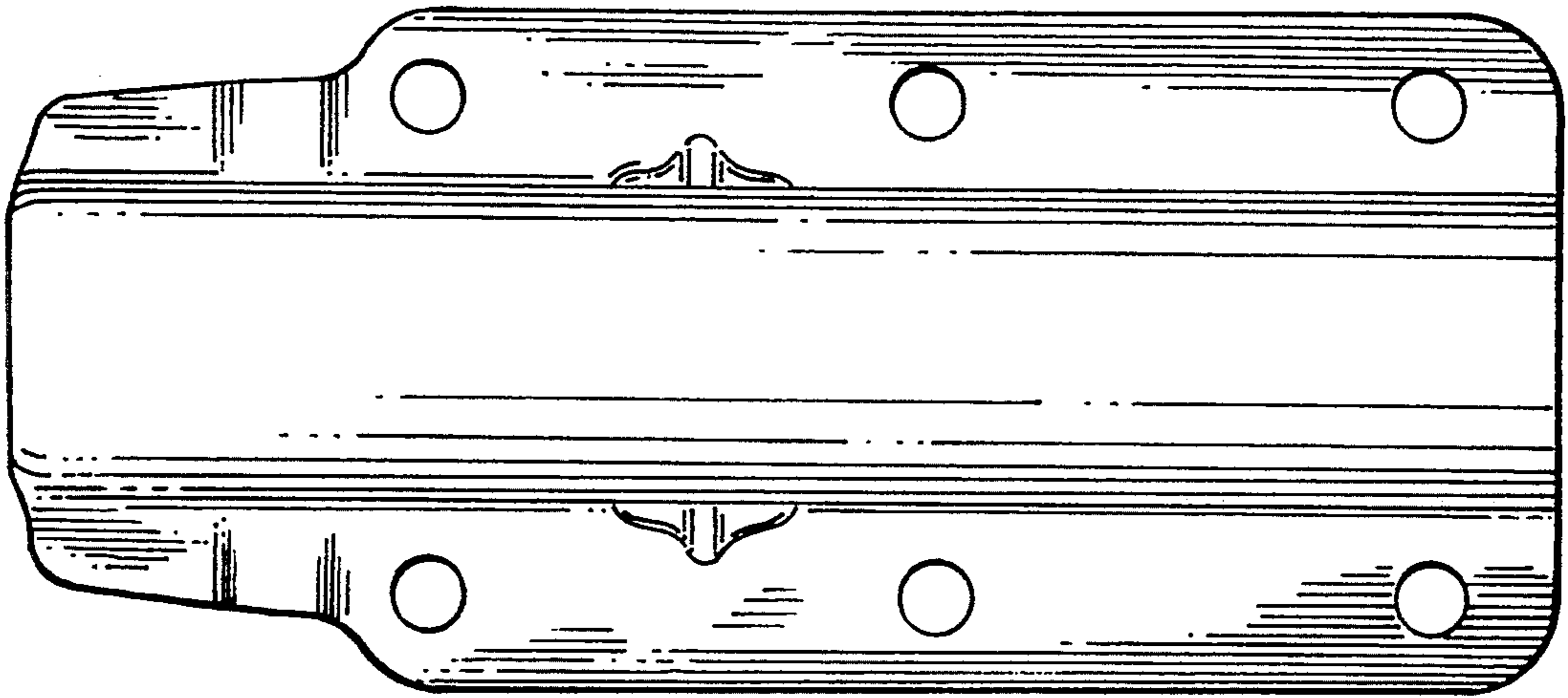


FIG. 2

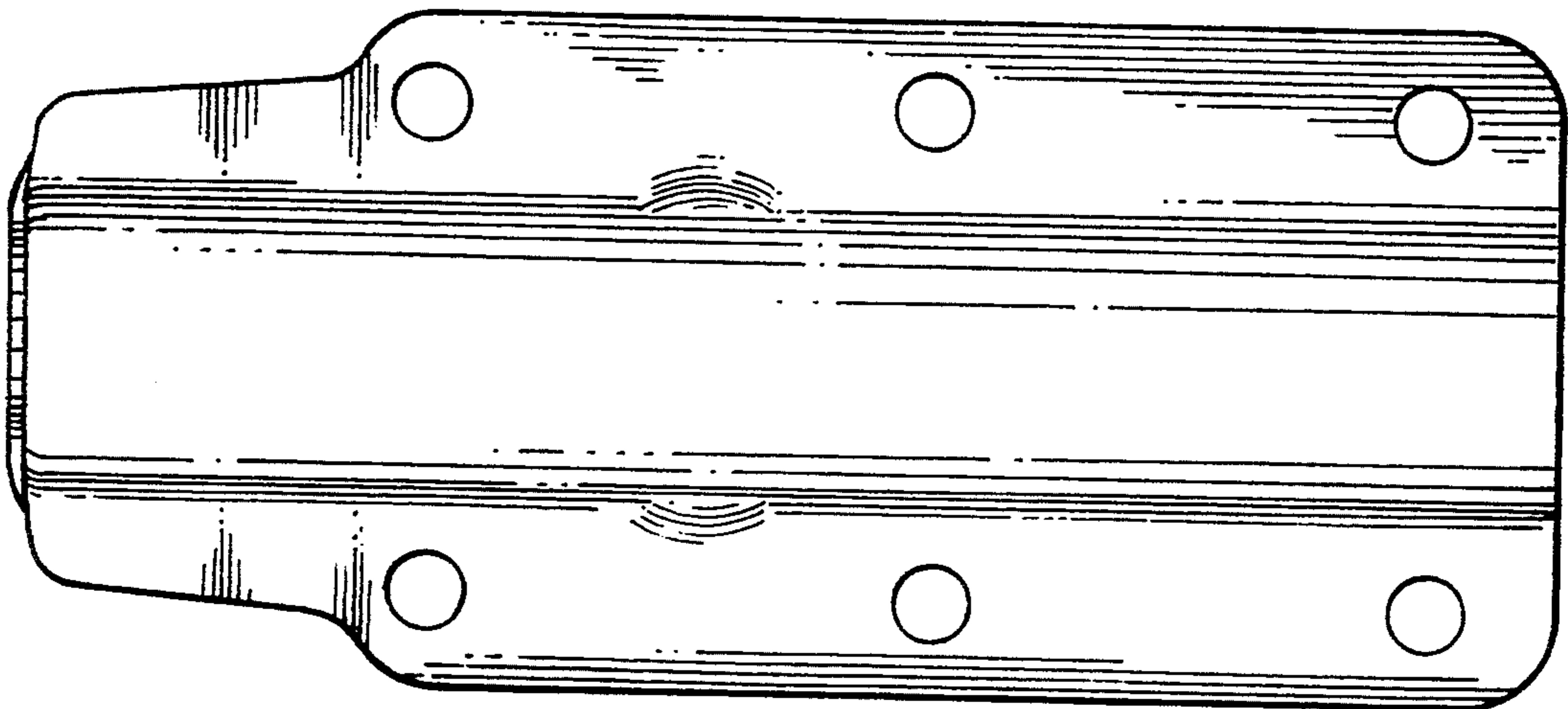


FIG. 3

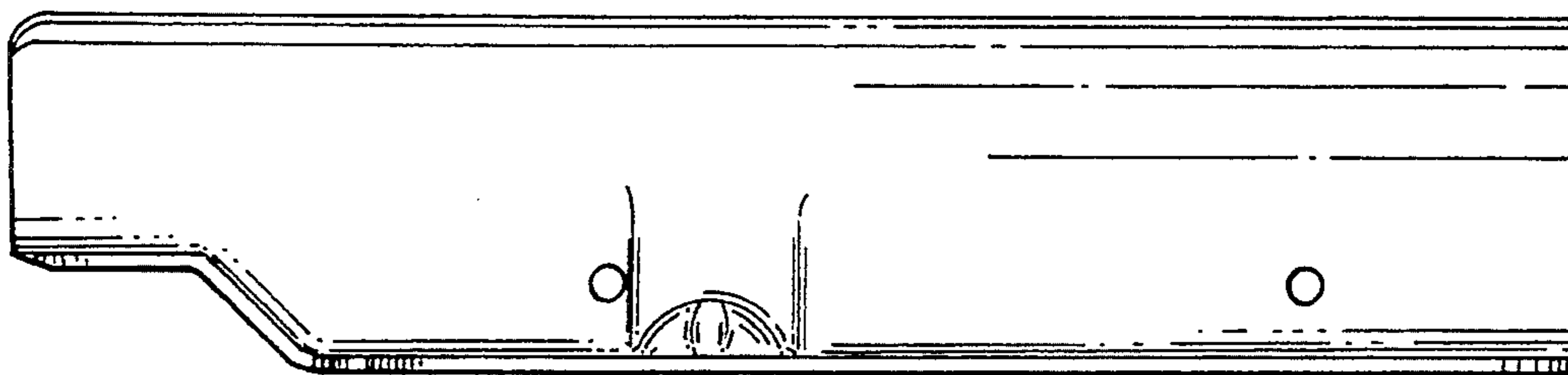


FIG. 4

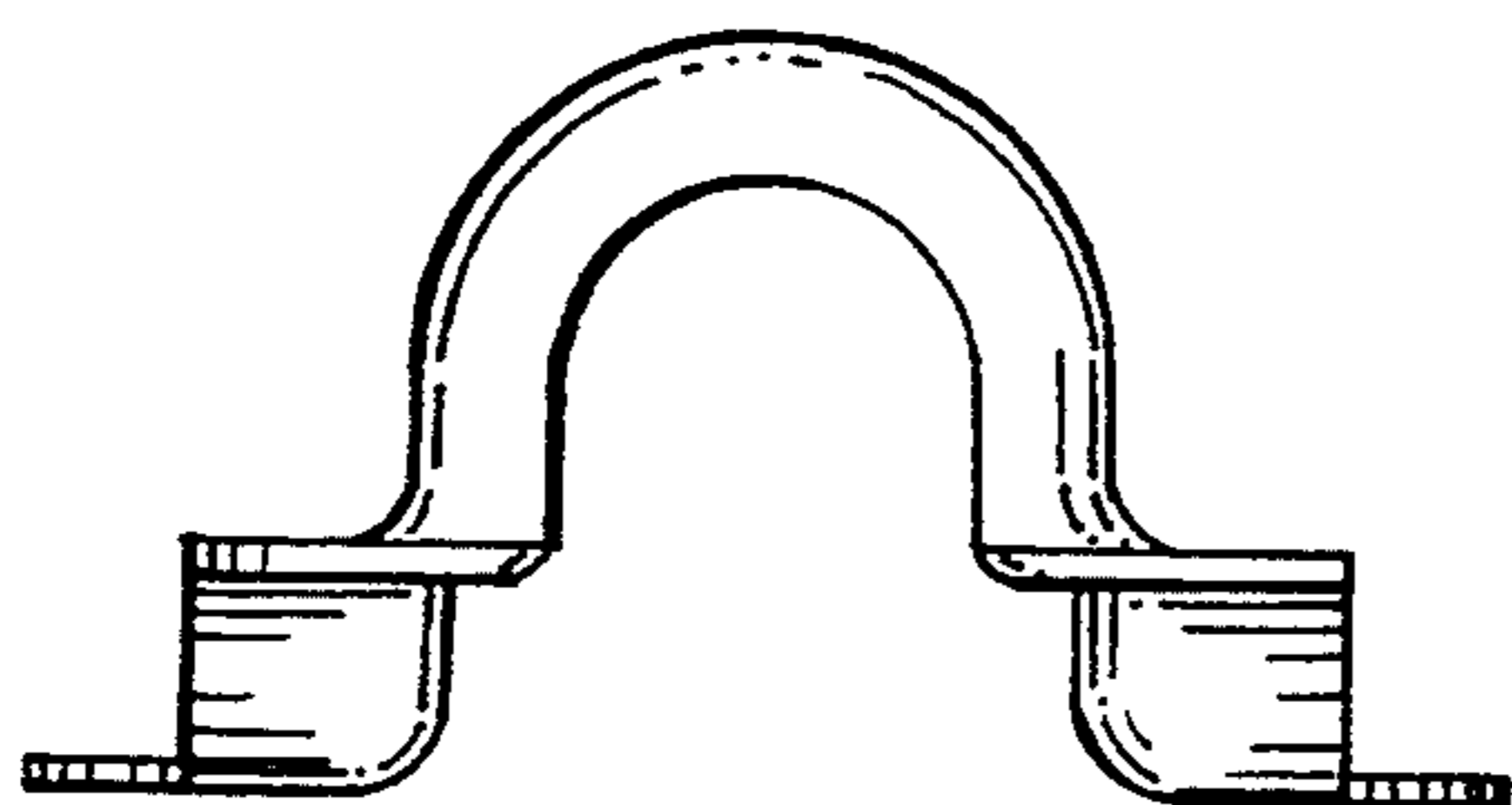


FIG. 5

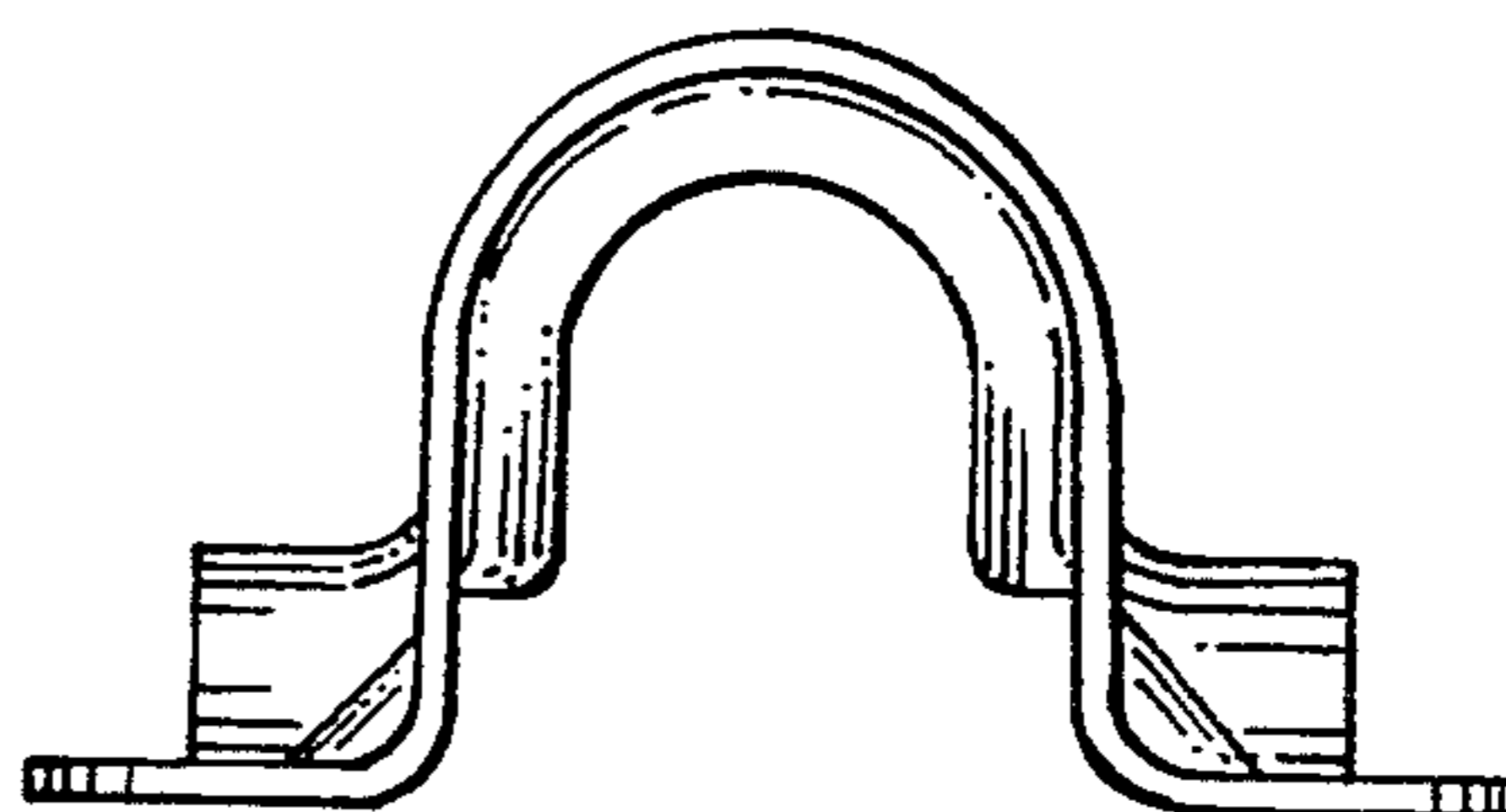


FIG. 6