



US00D354292S

United States Patent [19] Monti

[11] Patent Number: **Des. 354,292**

[45] Date of Patent: **** Jan. 10, 1995**

[54] **PORTABLE ICE MAKER**

[76] Inventor: **Carolyn Monti, 643 Abbey Ct., Rochester Hills, Mich. 48307**

[**] Term: **14 Years**

[21] Appl. No.: **6,179**

[22] Filed: **Mar. 23, 1993**

[52] U.S. Cl. **D15/80; D7/605; D15/83**

[58] Field of Search **D7/605; D15/79-91; 62/344, 384, 457.1, 457.7, 457.9**

3,163,019 12/1964 Hall 62/344
 3,908,391 9/1975 Wulke .
 4,265,089 5/1981 Webb .
 4,614,088 9/1986 Brooks .

OTHER PUBLICATIONS

Hammacher Schlemmer Spring 1986 p. 3 Ice Maker.

Primary Examiner—Bernard Ansher

Assistant Examiner—Sandra Morris

Attorney, Agent, or Firm—Terry M. Gernstein

[57] CLAIM

The ornamental design for a portable ice maker, as shown and described.

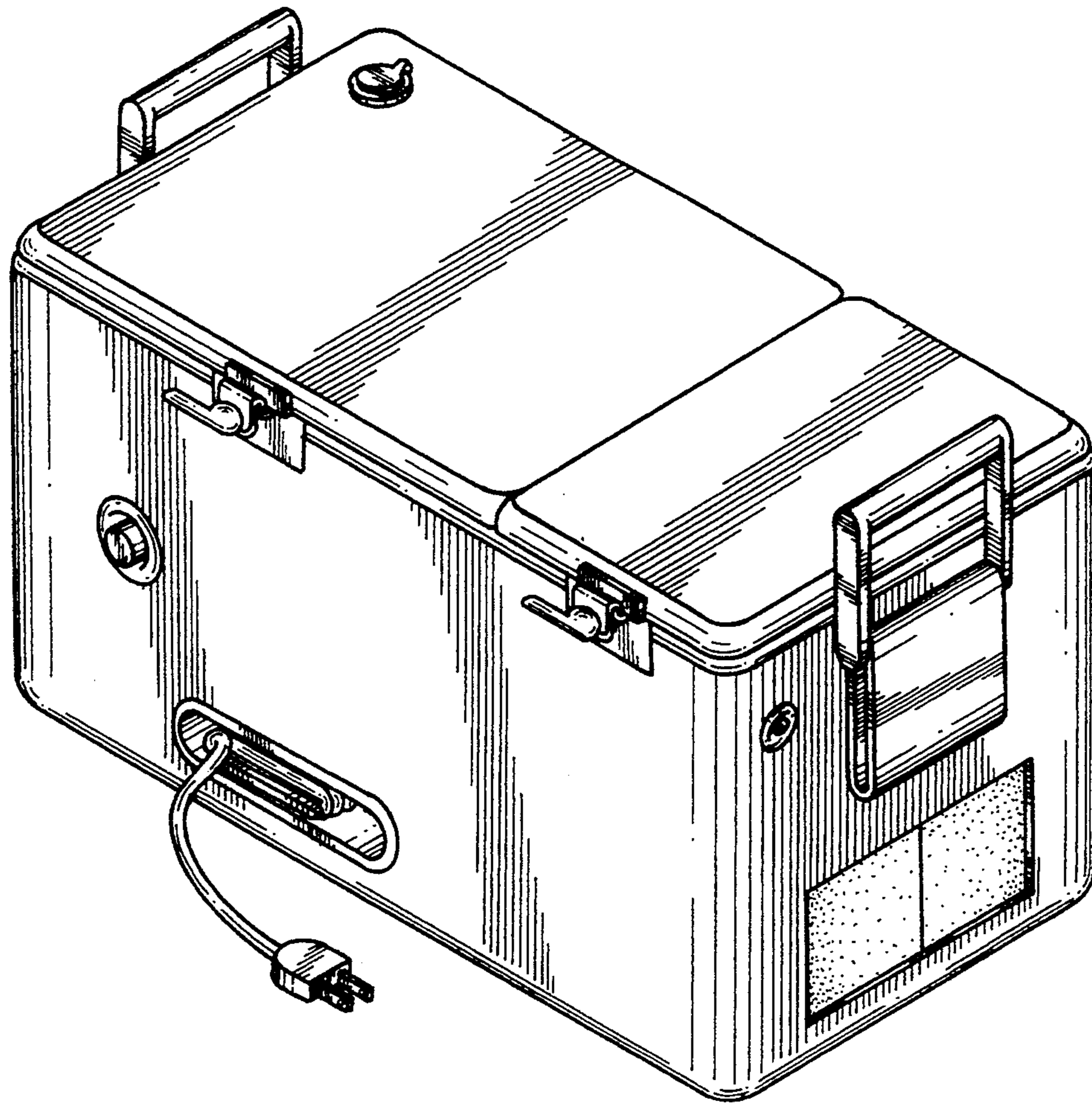
[56] References Cited

U.S. PATENT DOCUMENTS

D. 217,074	3/1970	Jones	D15/83
D. 256,587	8/1980	Tatsumi	D15/83
D. 267,324	12/1982	Norimatsu et al.	D15/83
D. 292,711	11/1987	Shapiro et al.	D15/83
D. 320,606	10/1991	Fritsch	D15/83
D. 329,172	9/1992	Greene, Jr.	D7/605
D. 335,960	6/1993	Kahl et al.	D7/605
3,131,551	5/1964	Ross	62/344

DESCRIPTION

FIG. 1 is a front, top and side perspective view of the portable ice maker showing my new design;
 FIG. 2 is a front elevational view thereof;
 FIG. 3 is a rear elevational view thereof;
 FIG. 4 is an end elevational view thereof;
 FIG. 5 is an end elevational view thereof;
 FIG. 6 is a top plan view thereof; and,
 FIG. 7 is a bottom plan view thereof.



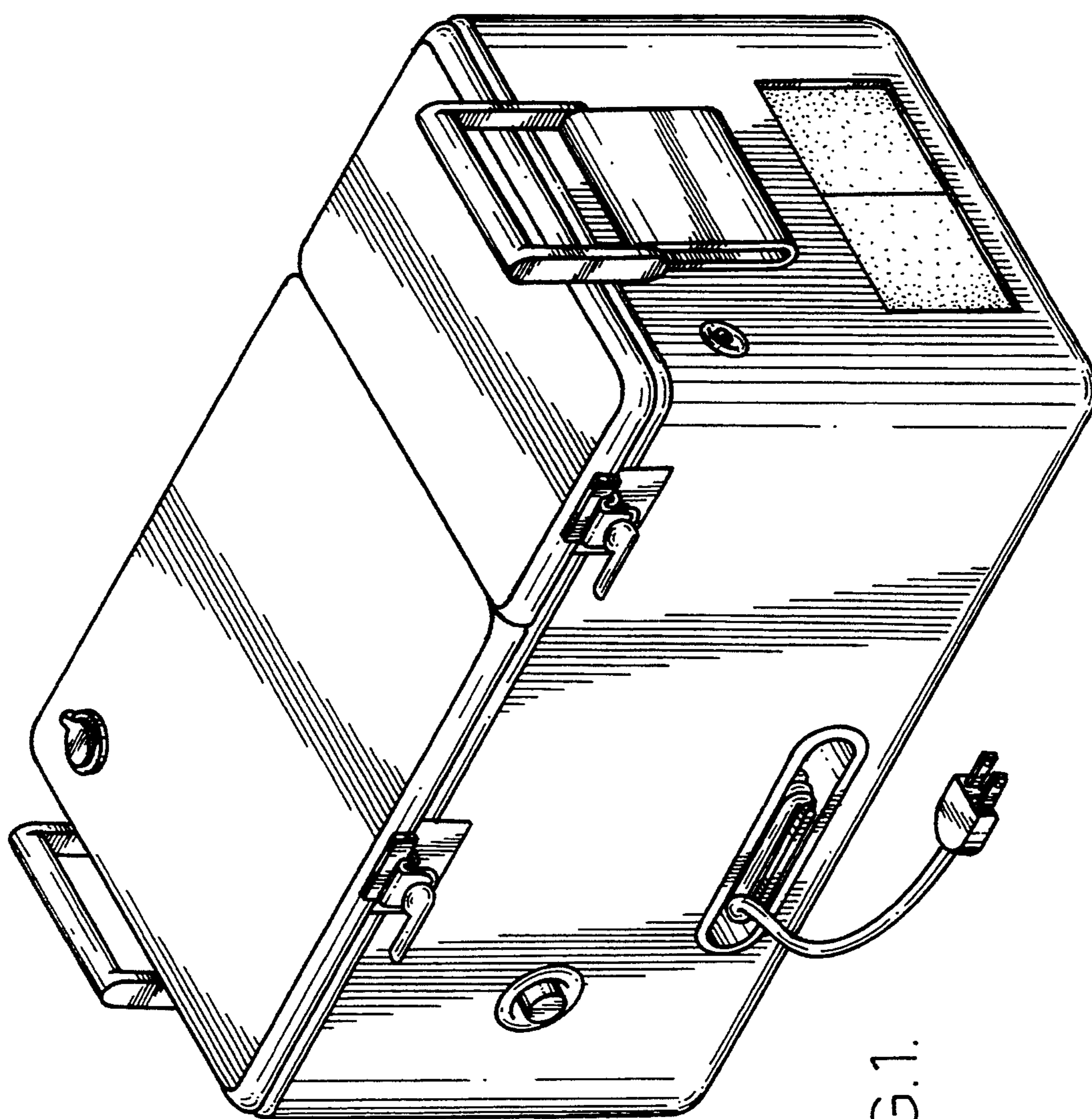


FIG.1.

FIG. 3.

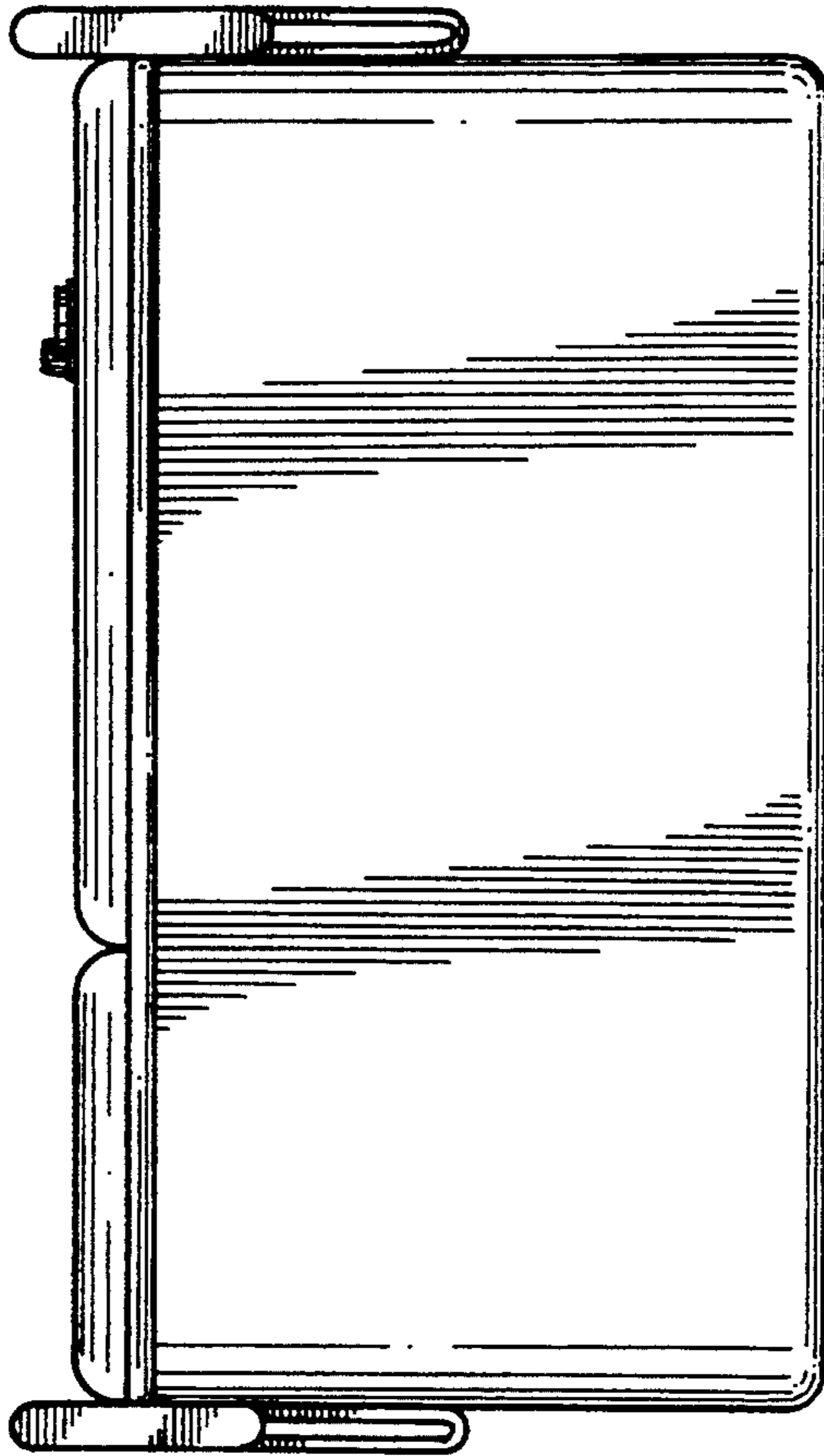


FIG. 2.

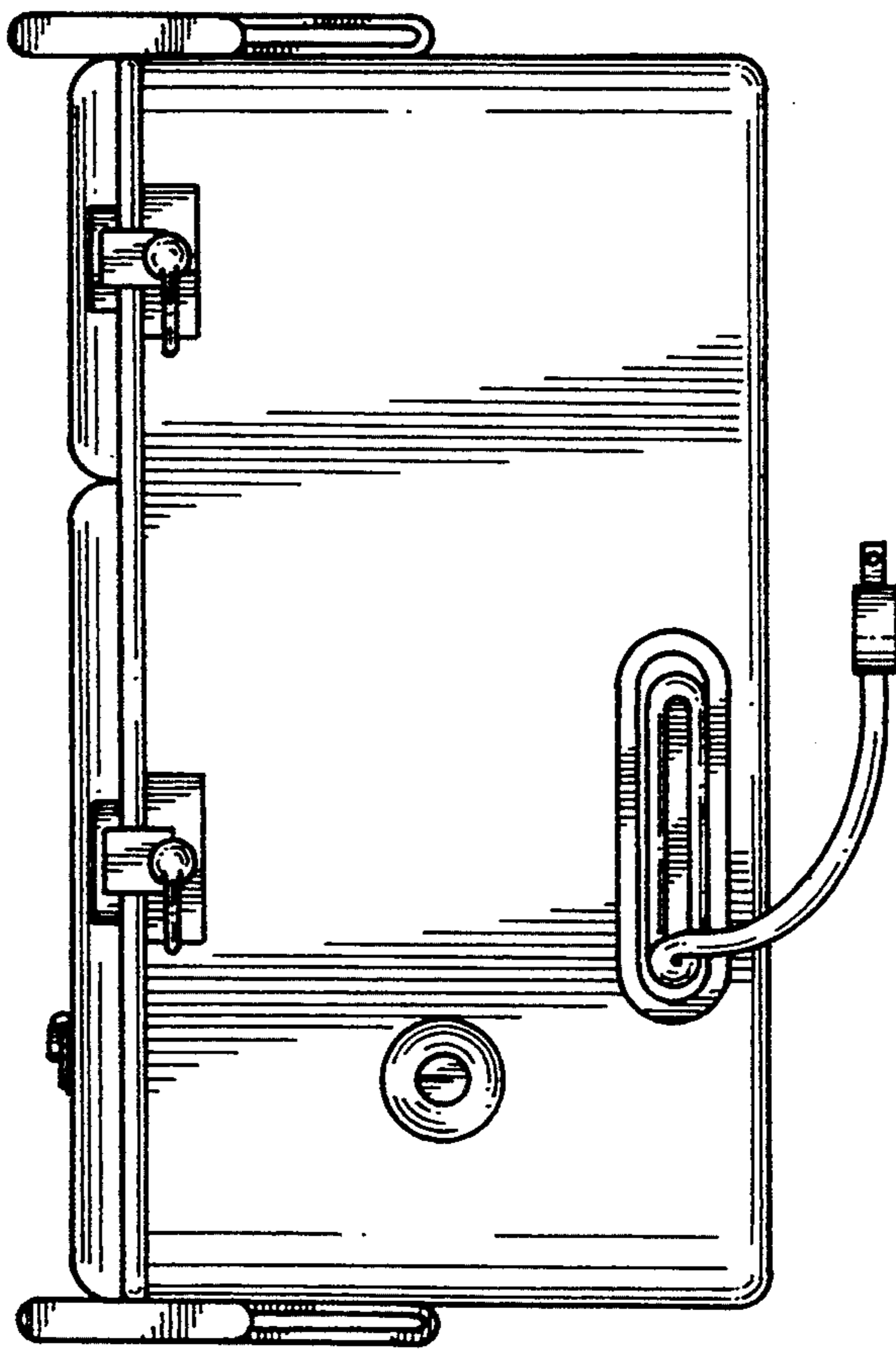


FIG. 5.

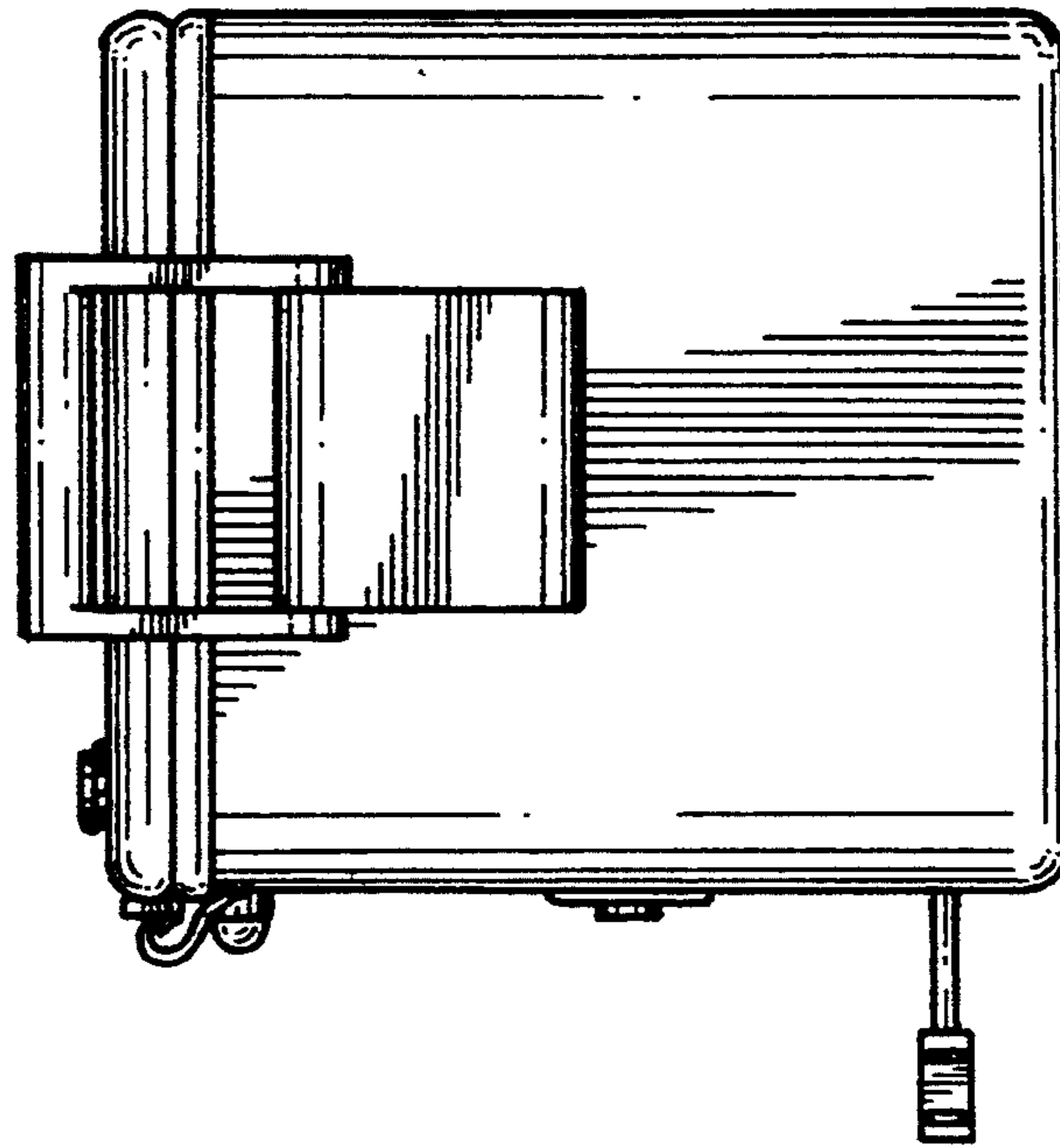


FIG. 4.

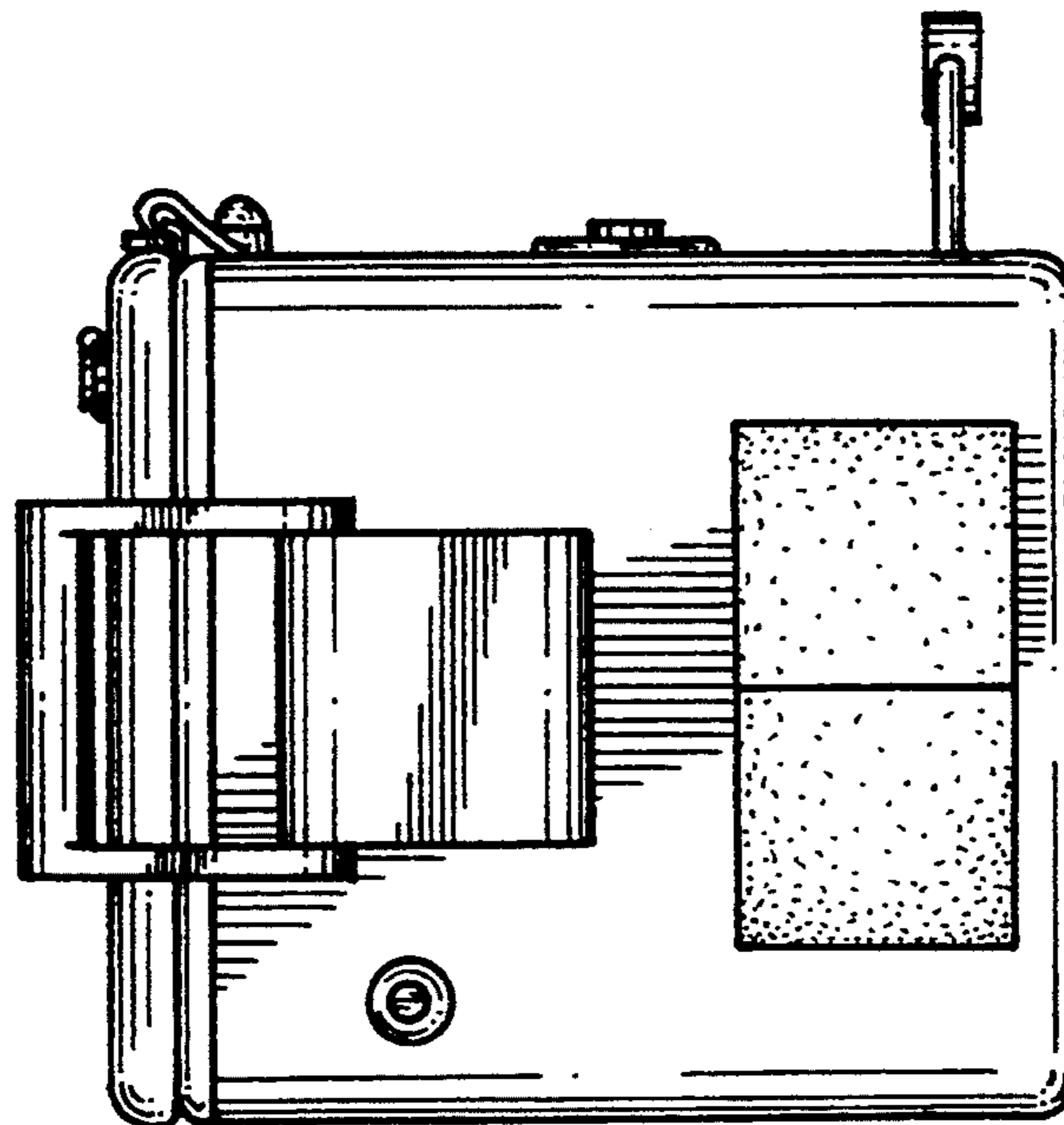


FIG. 7.

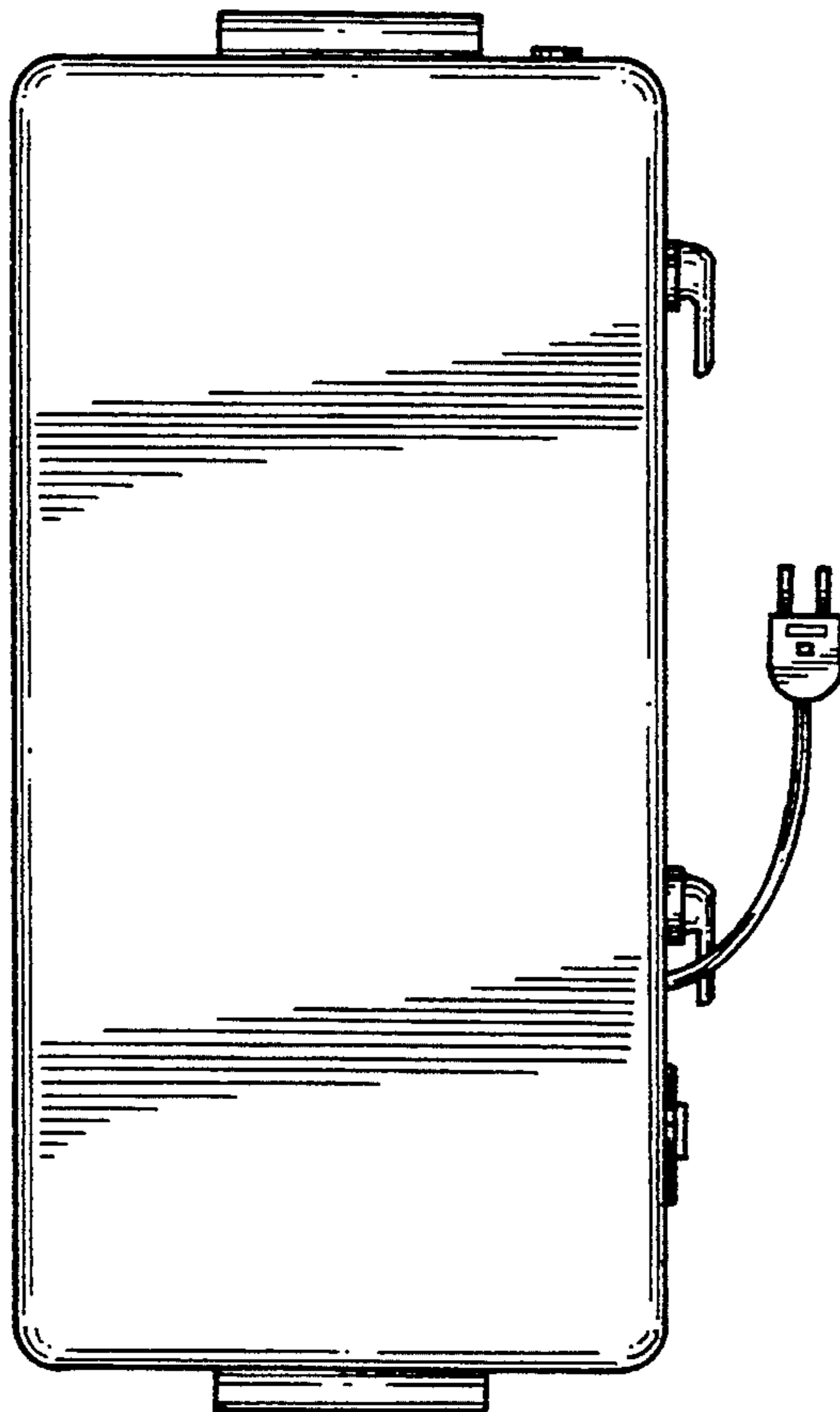


FIG. 6.

