



US00D354290S

# United States Patent [19]

[11] Patent Number: **Des. 354,290**

Houle

[45] Date of Patent: **\*\* Jan. 10, 1995**

[54] **MANURE SPREADER**

[75] Inventor: **Michel Houle, Wickman, Canada**

[73] Assignee: **J. Houle Et Fils Inc.,  
Drummondville, Canada**

[\*\*] Term: **14 Years**

[21] Appl. No.: **4,780**

[22] Filed: **Feb. 12, 1993**

[30] **Foreign Application Priority Data**

Dec. 29, 1992 [CA] Canada ..... 29-12-92-3

[52] U.S. Cl. .... **D15/27; D15/10**

[58] Field of Search ..... **D15/10-27;  
239/7, 650, 662, 680; 366/186, 188, 603**

[56] **References Cited**

**U.S. PATENT DOCUMENTS**

D. 249,520 9/1978 Van Mill ..... D15/27  
D. 294,583 3/1988 Blumer et al. .... D15/27

D. 306,864 3/1990 Van Mill ..... D15/27  
4,324,434 4/1982 Friese ..... D15/27  
4,467,967 8/1984 Martin ..... 239/662  
4,473,184 9/1984 Martin ..... 239/662  
4,993,632 2/1991 Martin ..... 239/662

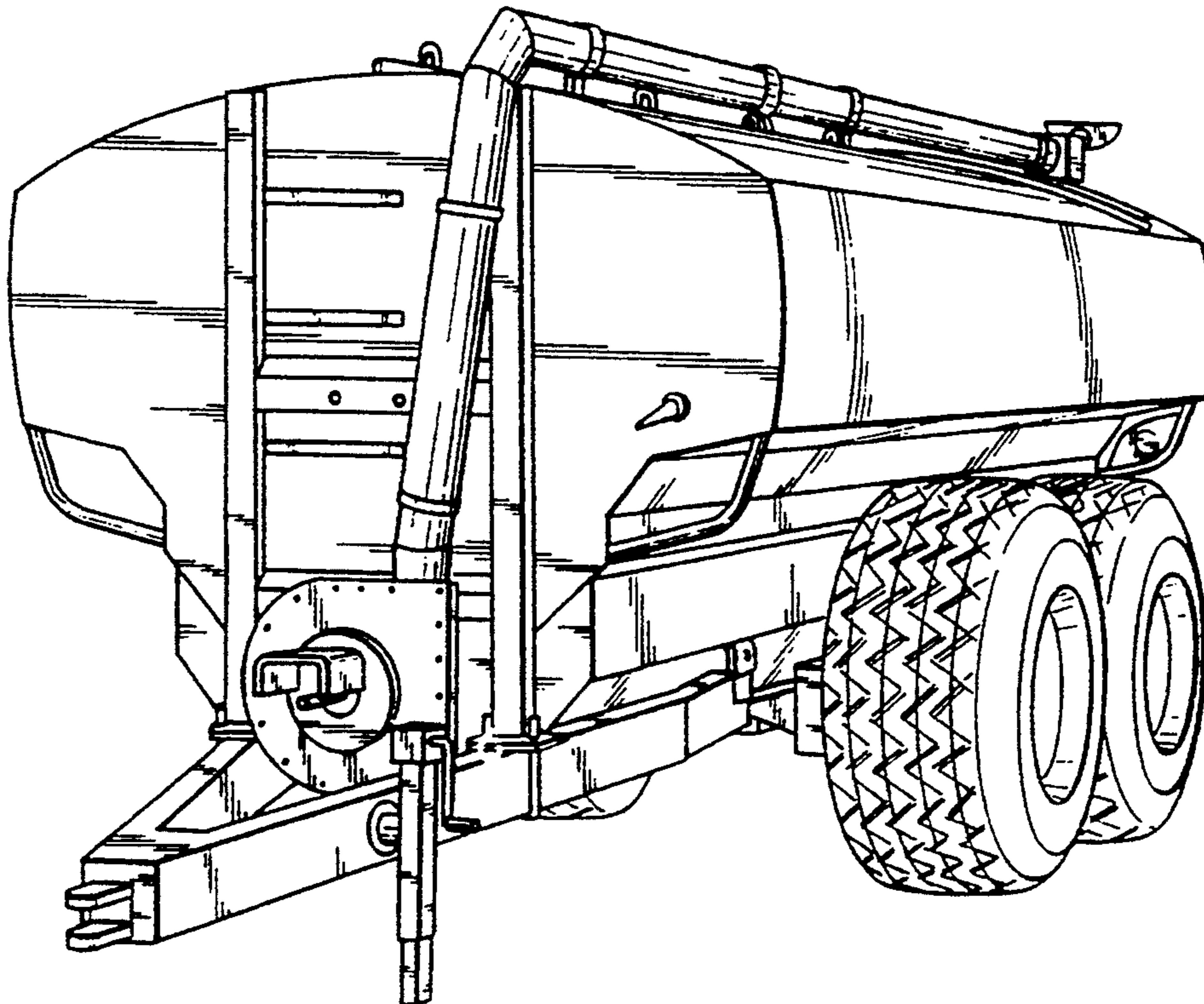
*Primary Examiner*—Bernard Ansher  
*Assistant Examiner*—Sandra Morris  
*Attorney, Agent, or Firm*—ROBIC

[57] **CLAIM**

The ornamental design for a manure spreader, as shown and described.

**DESCRIPTION**

FIG. 1 is a front perspective view of a manure spreader showing my new design;  
FIG. 2 is a front elevational view thereof;  
FIG. 3 is a rear elevational view thereof;  
FIG. 4 is a left side elevational view thereof;  
FIG. 5 is a right side elevational view thereof; and,  
FIG. 6 is a top plan view thereof.



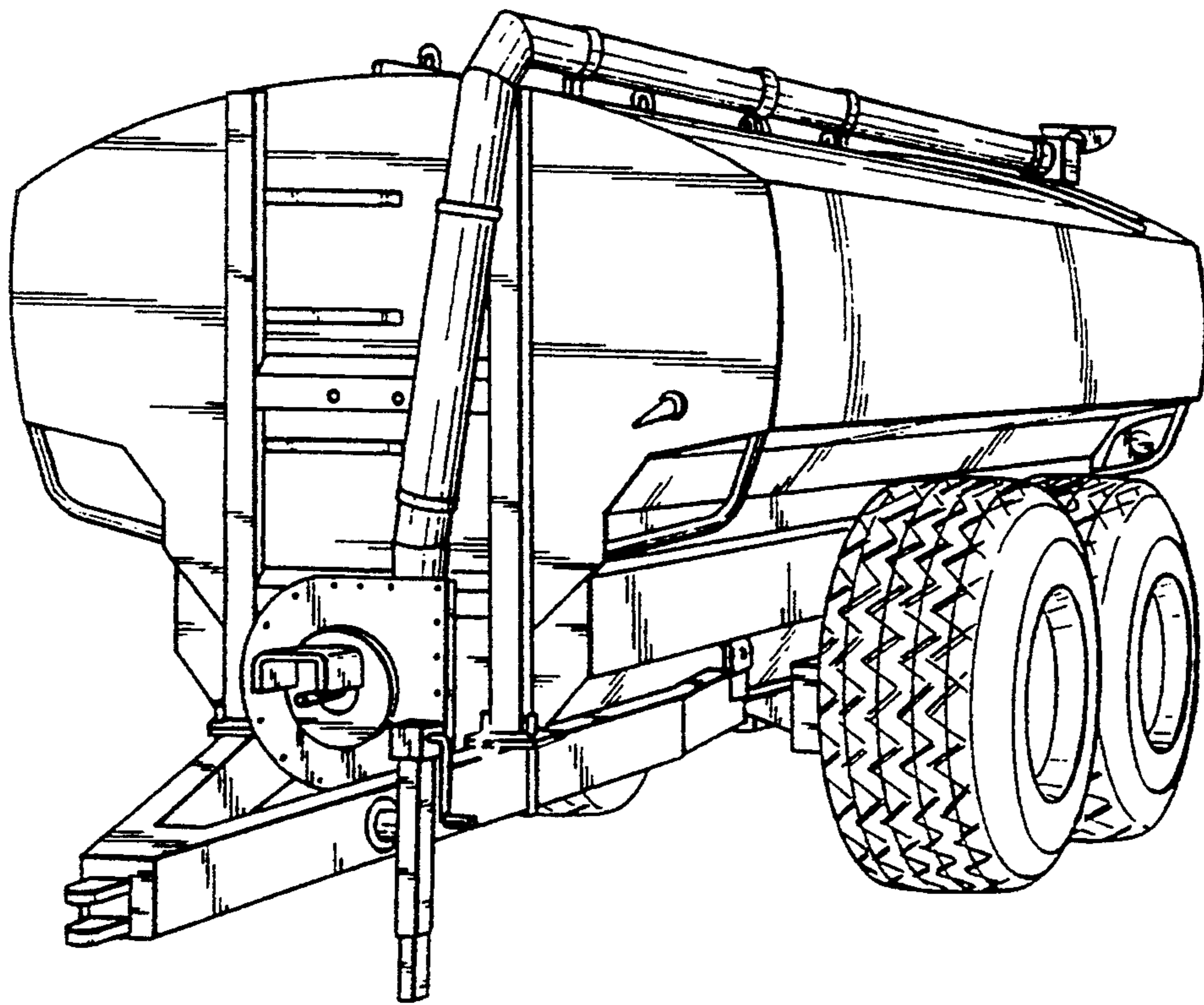


FIG. 1

FIG. 2

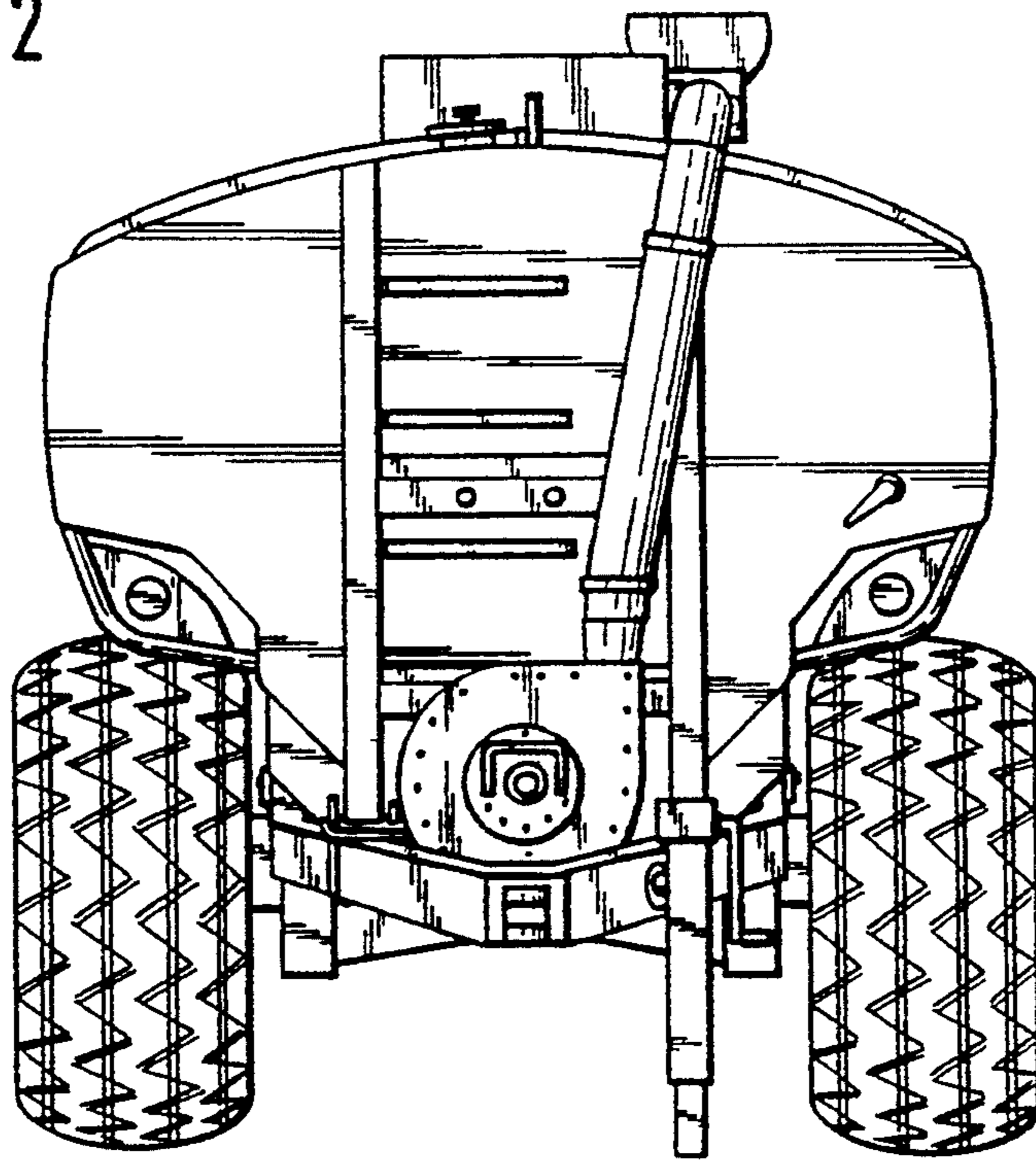


FIG. 3

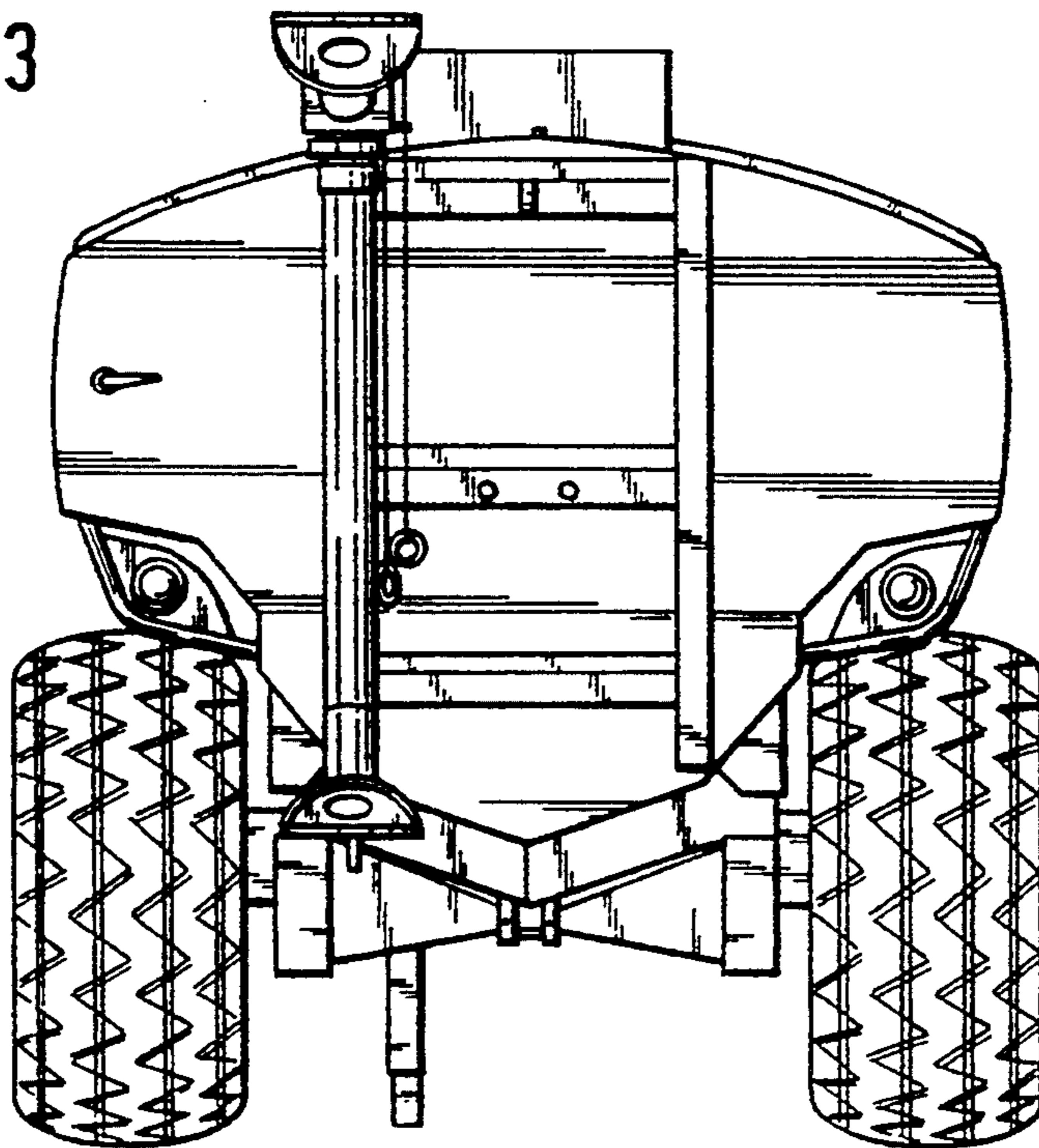


FIG. 4

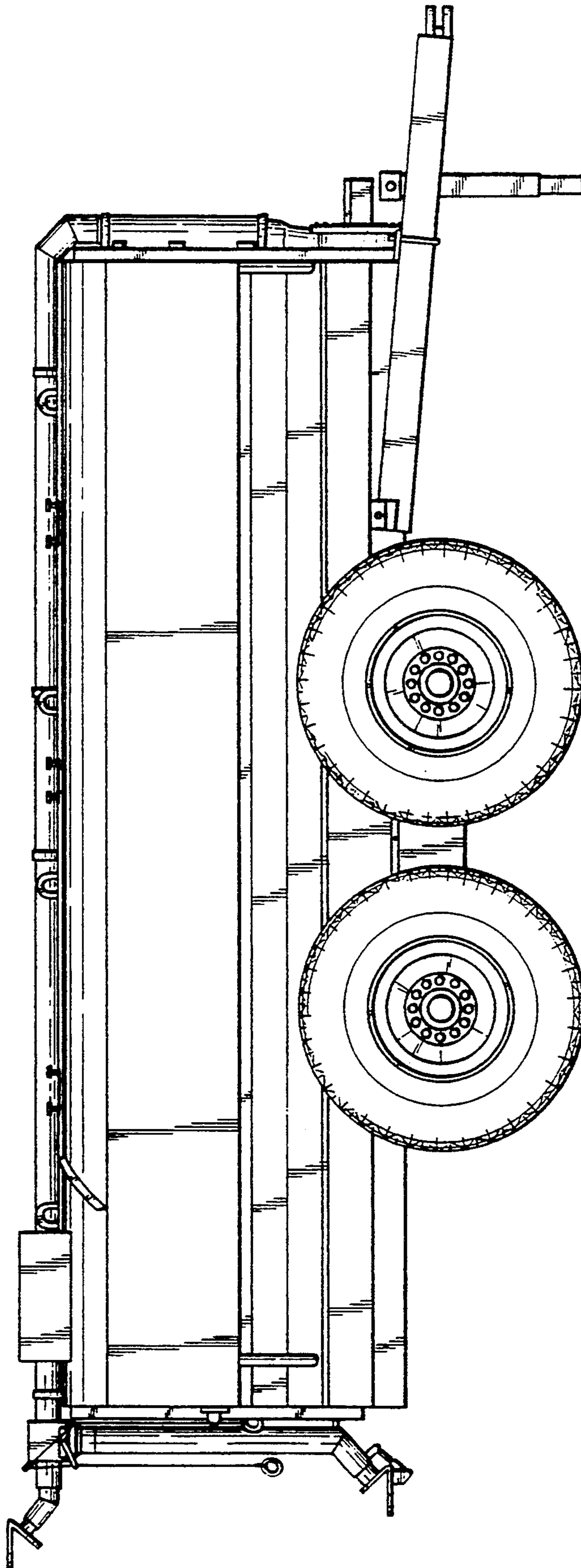


FIG. 5

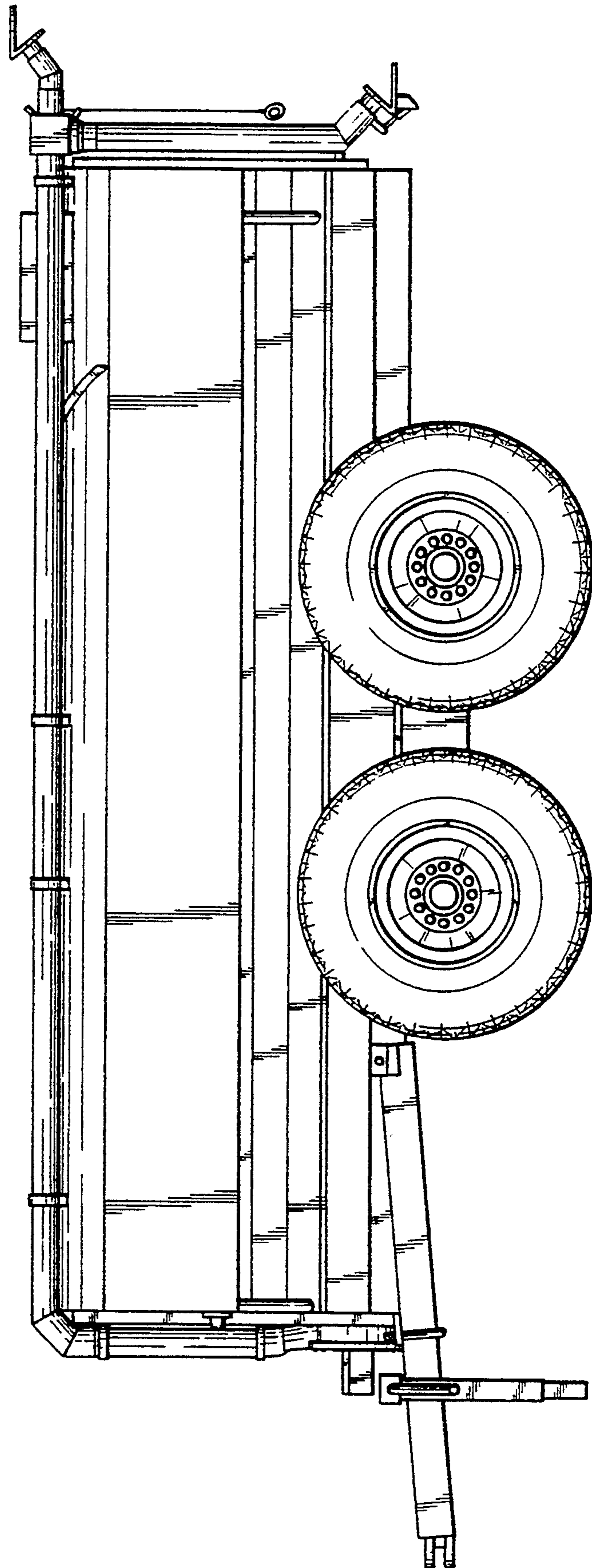


FIG. 6

