



US00D354289S

# United States Patent [19]

[11] Patent Number: **Des. 354,289**

Fortenberry et al.

[45] Date of Patent: **\*\* Jan. 10, 1995**

[54] CEMENT MIXER

4,441,820	4/1984	Maxon	366/45
4,521,116	6/1985	Adsit	366/45
4,750,840	6/1988	Bishop	366/54
5,067,818	11/1991	Howe	366/45
5,261,744	11/1993	Brunn	D15/19

[76] Inventors: **Charles G. Fortenberry; C. N. Boykin**, both of 71 Old Hwy, 13 N., Columbia, Miss. 39429

[\*\*] Term: **14 Years**

*Primary Examiner*—Bernard Ansher  
*Assistant Examiner*—Sandra Morris  
*Attorney, Agent, or Firm*—Terry M. Gernstein

[21] Appl. No.: **12,268**

[22] Filed: **Aug. 30, 1993**

[57] **CLAIM**

[52] U.S. Cl. .... **D15/19**

The ornamental design for a cement mixer, as shown and described.

[58] Field of Search ..... **D15/19, 10, 13; 366/42, 366/45, 53, 54; 404/92**

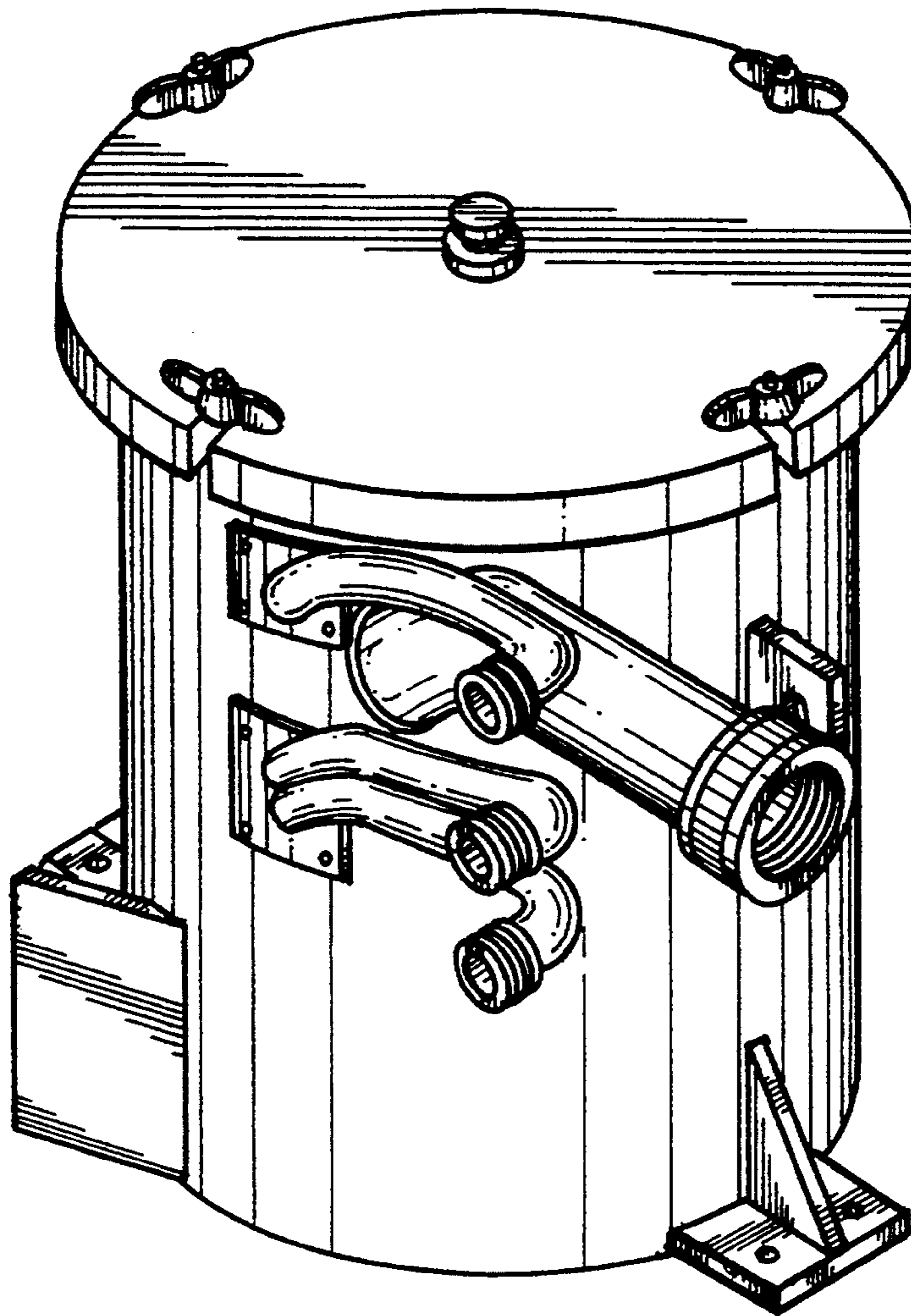
### DESCRIPTION

[56] **References Cited**

#### U.S. PATENT DOCUMENTS

D. 197,734	3/1964	Wahl	D15/13
D. 299,722	2/1989	Mehr	D15/19
2,603,462	7/1952	Brown et al.	366/42
3,319,941	5/1967	Isaacs, Jr. et al.	366/45
3,473,789	10/1969	Dietrich	366/45
4,387,995	6/1983	Routson	366/45

FIG. 1 is a front, top and side perspective view of the cement mixer showing our new design; FIG. 2 is a front elevational view thereof; FIG. 3 is a rear elevational view thereof; FIG. 4 is a side elevational view thereof; FIG. 5 is a side elevational view thereof; FIG. 6 is a top plan view thereof; and, FIG. 7 is a bottom plan view thereof.



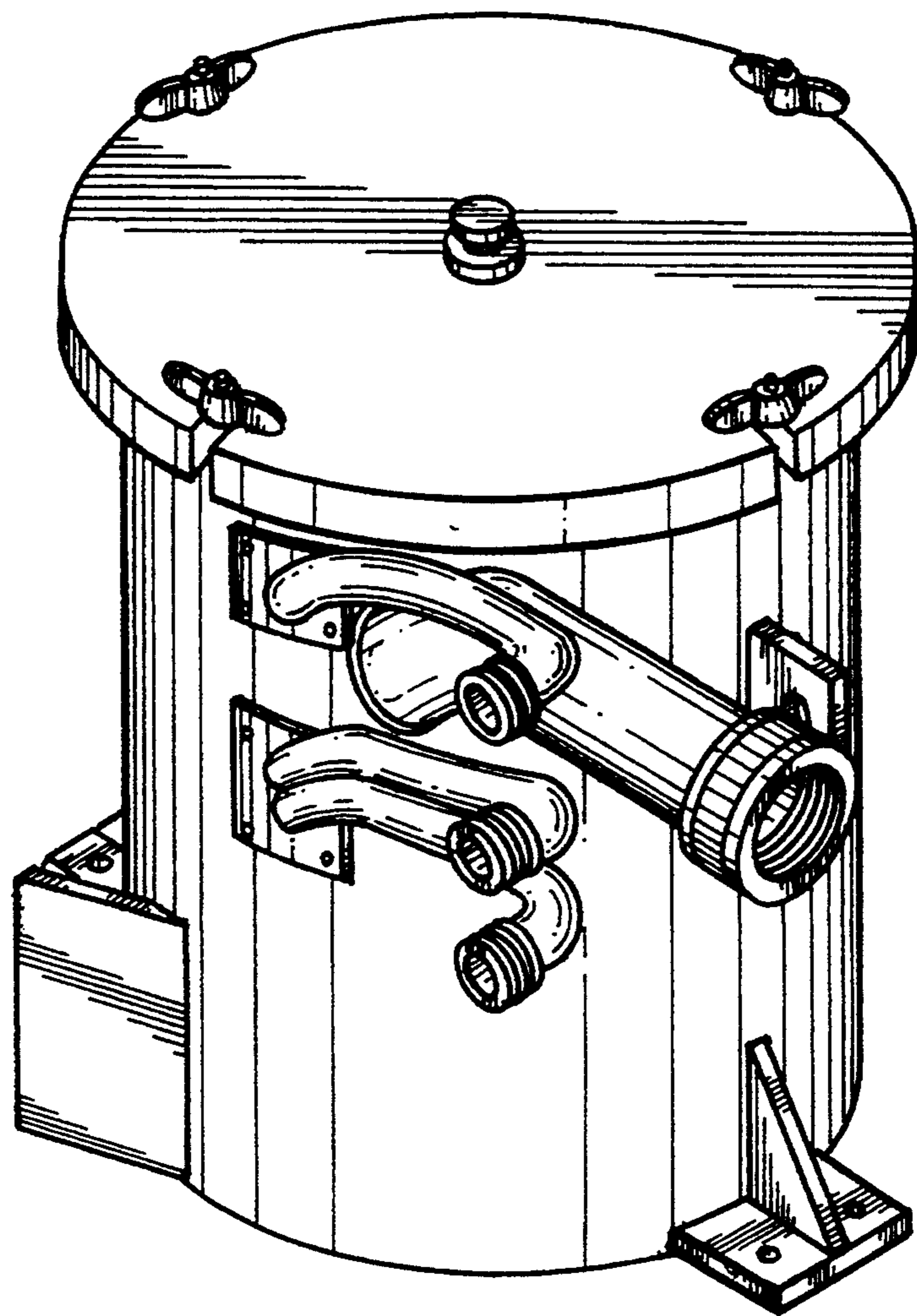


FIG. 1.

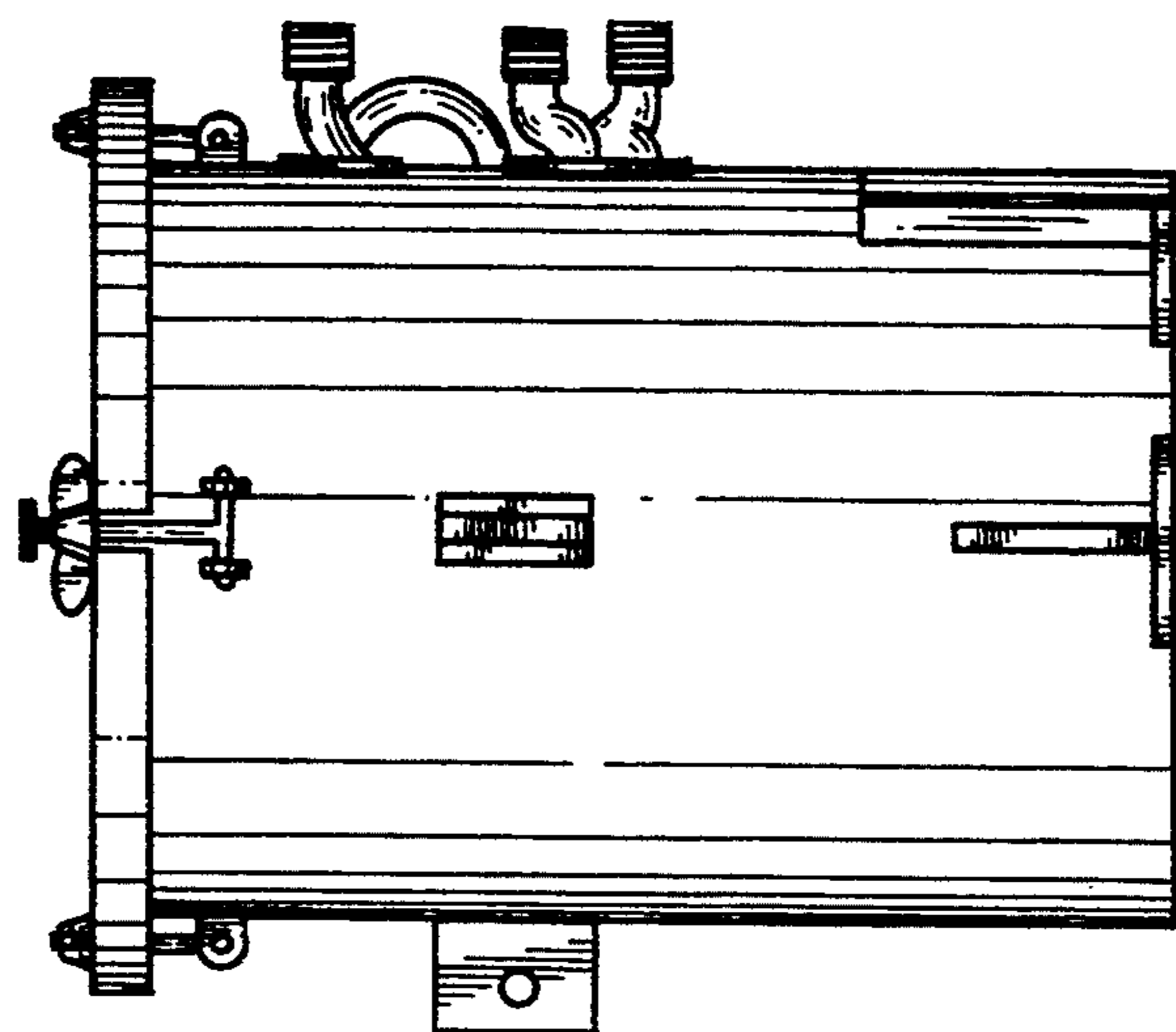


FIG. 2.

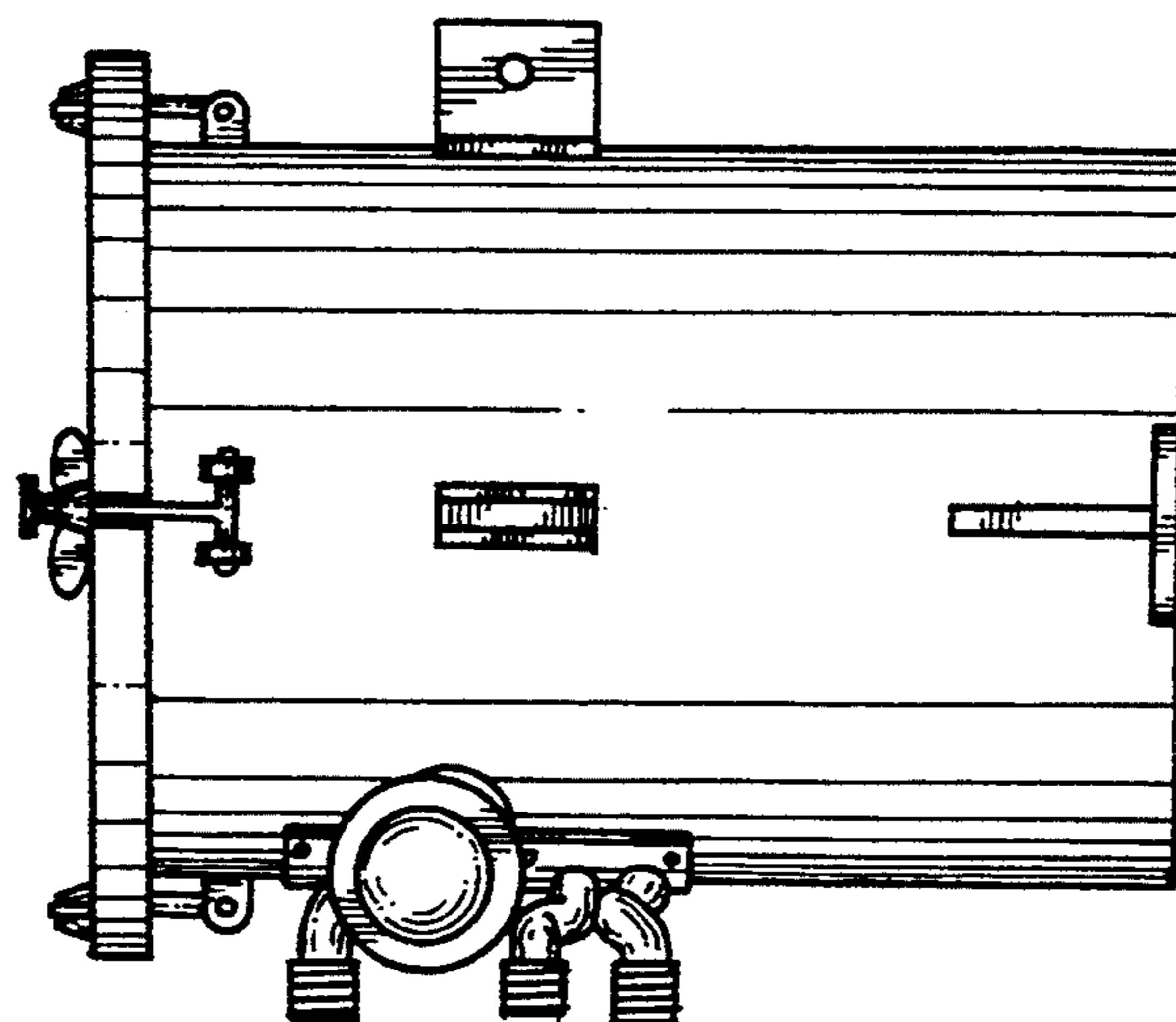


FIG. 3.

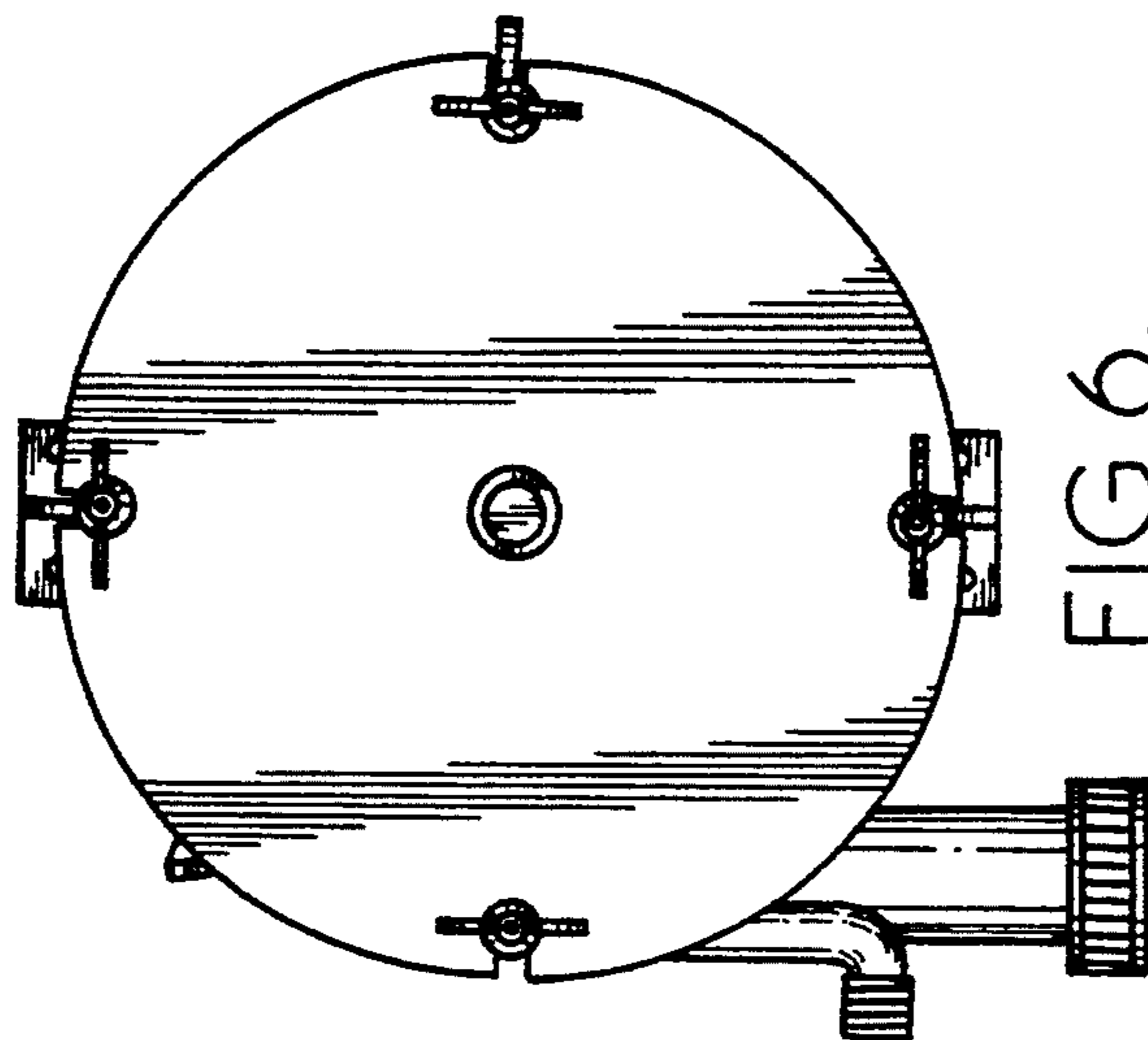


FIG. 6.

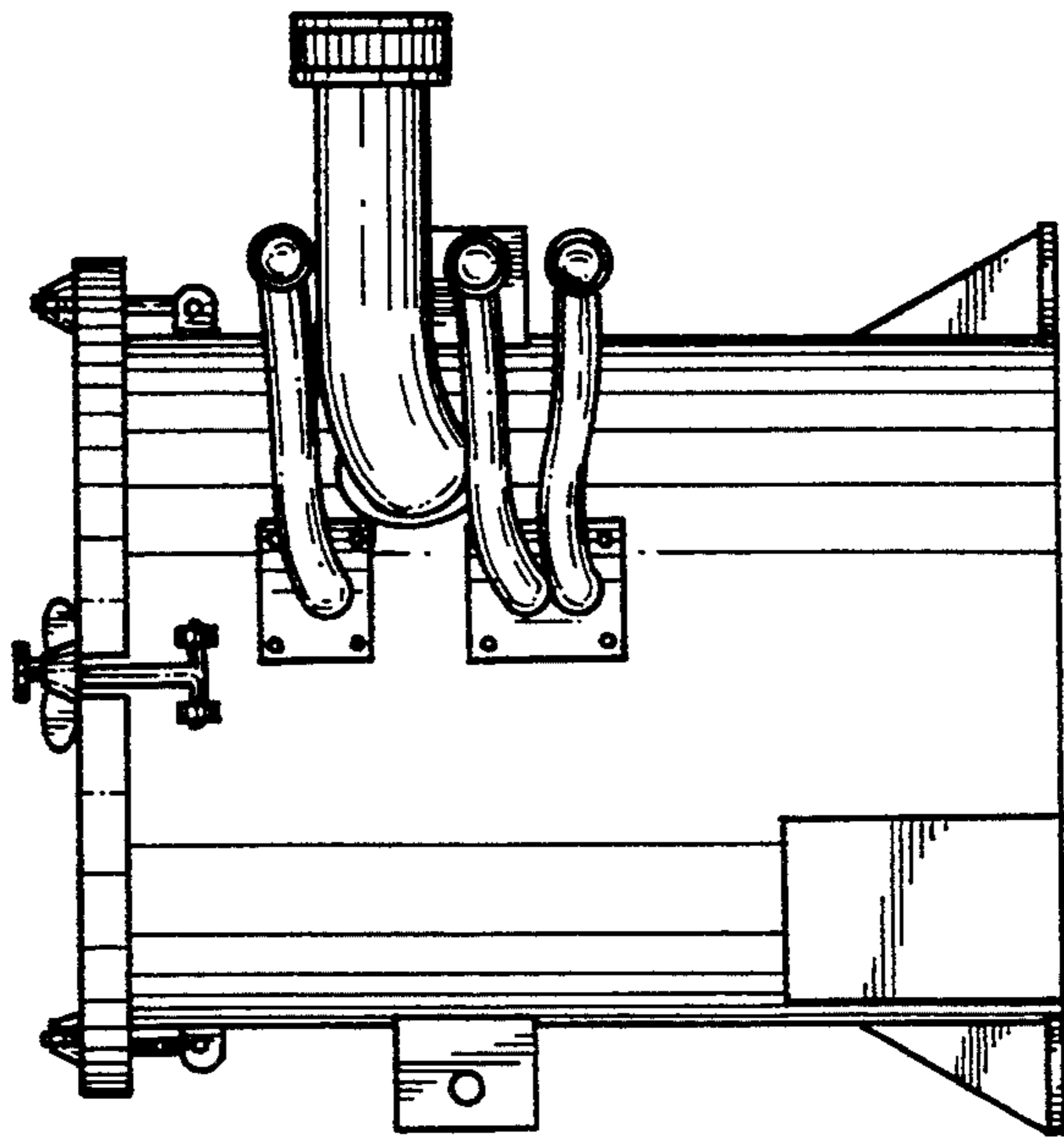


FIG. 5.

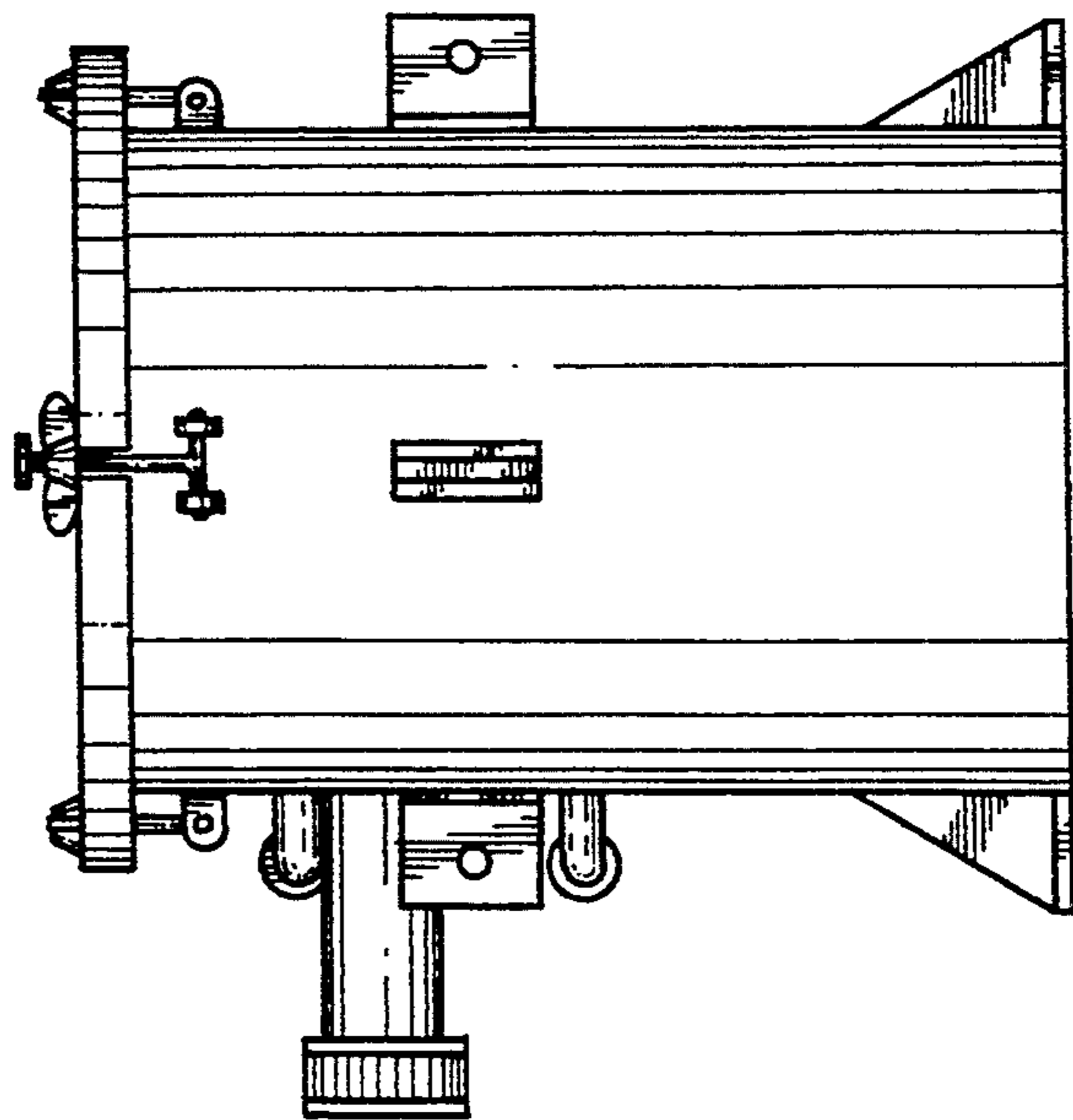


FIG. 4.

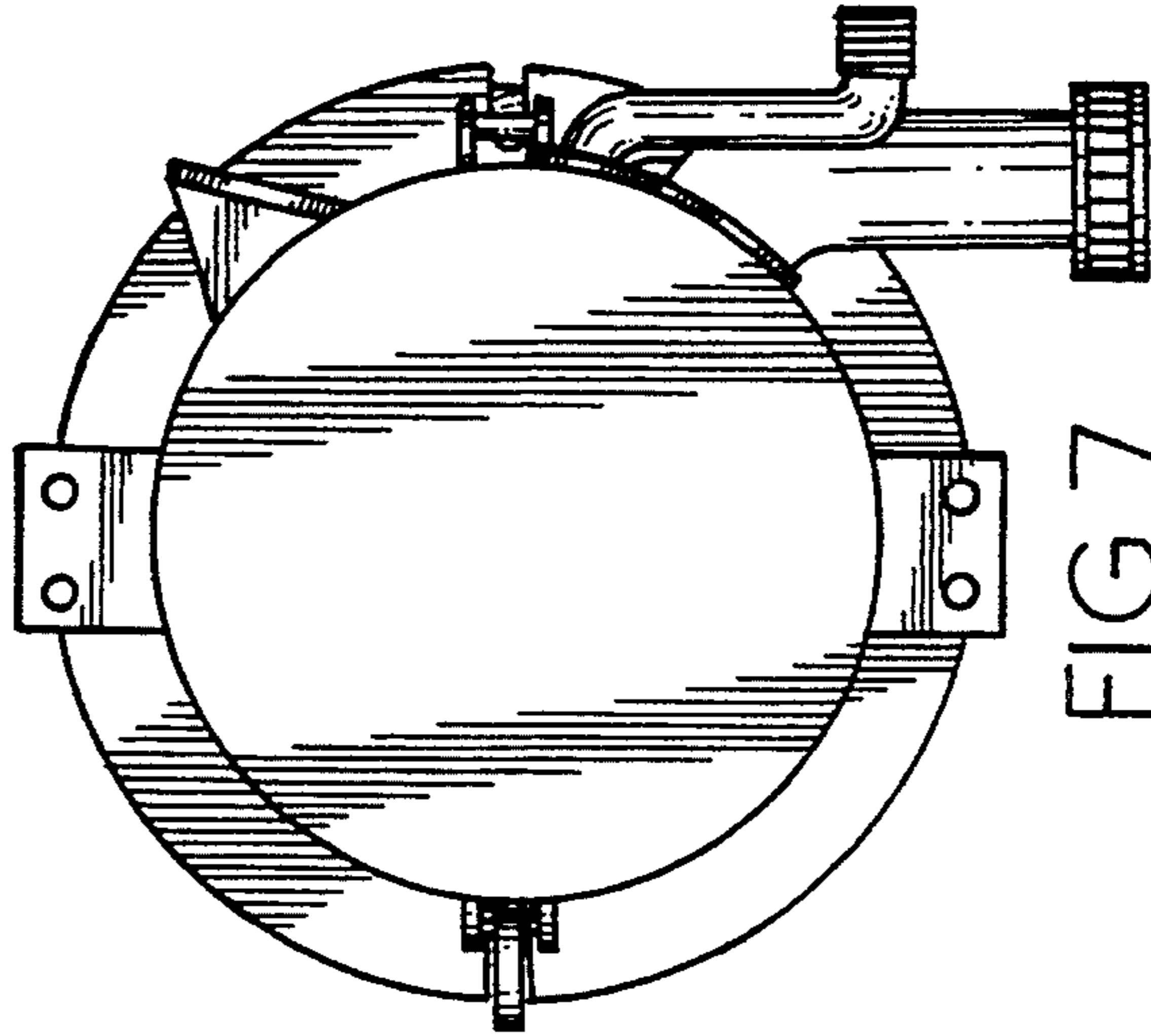


FIG. 7.