



US00D354273S

United States Patent [19]
Reed

[11] **Patent Number: Des. 354,273**
[45] **Date of Patent: ** Jan. 10, 1995**

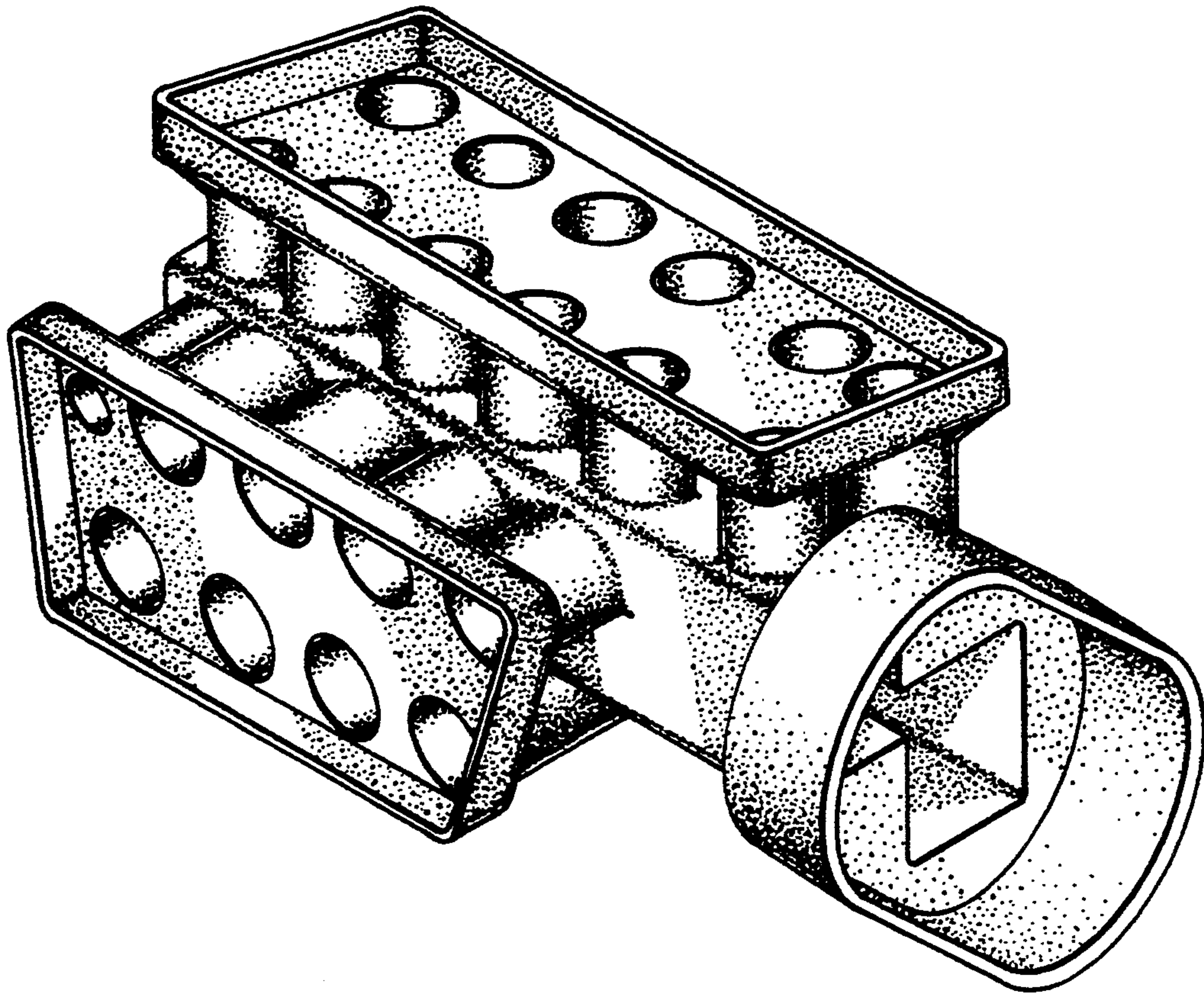
- [54] **INSULATIVE ELECTRICAL CONNECTOR COVER FOR Z-SHAPED CONNECTOR**
- [75] **Inventor: Brian Reed, Amelia, Ohio**
- [73] **Assignee: Eger Products, Inc., Cincinnati, Ohio**
- [**] **Term: 14 Years**
- [21] **Appl. No.: 9,789**
- [22] **Filed: Jun. 21, 1993**
- [52] **U.S. Cl. D13/156**
- [58] **Field of Search D13/147, 156; 174/138 F; 361/823; 439/135**

- [56] **References Cited**
- U.S. PATENT DOCUMENTS**
- 2,956,107 10/1960 Monashkin 439/135 X
- 3,467,768 9/1969 Shorey 174/138 F
- 3,922,480 11/1975 Woofter et al. 174/72 A X
- 3,983,314 9/1976 Filhaber 174/138 F
- OTHER PUBLICATIONS**
- Section B, Pedestal & Handhole Connectors, Residen-

tial & Commercial & back page (23A) Type USG2-DM Spade Mount.
 UTILCO—The best pad-mount transformer connector in the industry just got better!
 Drawing R-6984 dated Jul. 30, 1986, Sheet 1 and Sheet 2.
Primary Examiner—Joel Sincavage
Attorney, Agent, or Firm—Wood, Herron & Evans

[57] **CLAIM**
 The ornamental design for an insulative electrical connector cover for z-shaped connector, as shown and described.

DESCRIPTION
 FIG. 1 is a perspective view of the design for an insulative electrical connector cover for a z-shaped connector, depicting the front, top and right side thereof; FIG. 2 is a top plan view thereof; FIG. 3 is a front elevational view thereof; FIG. 4 is a left side elevational view thereof; FIG. 5 is a right side elevational view thereof; FIG. 6 is a rear elevational view thereof; and, FIG. 7 is a bottom elevational view thereof.



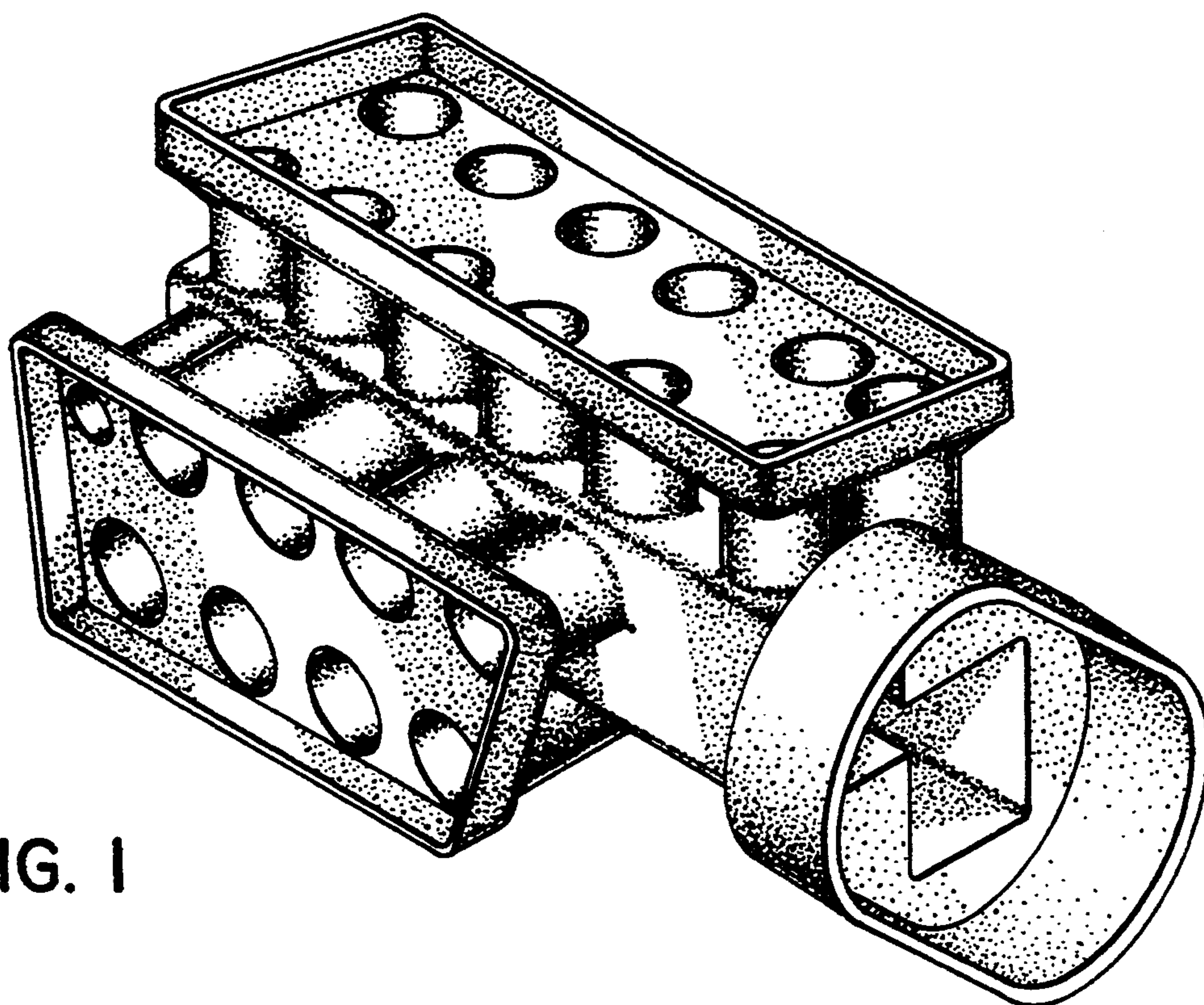


FIG. 1

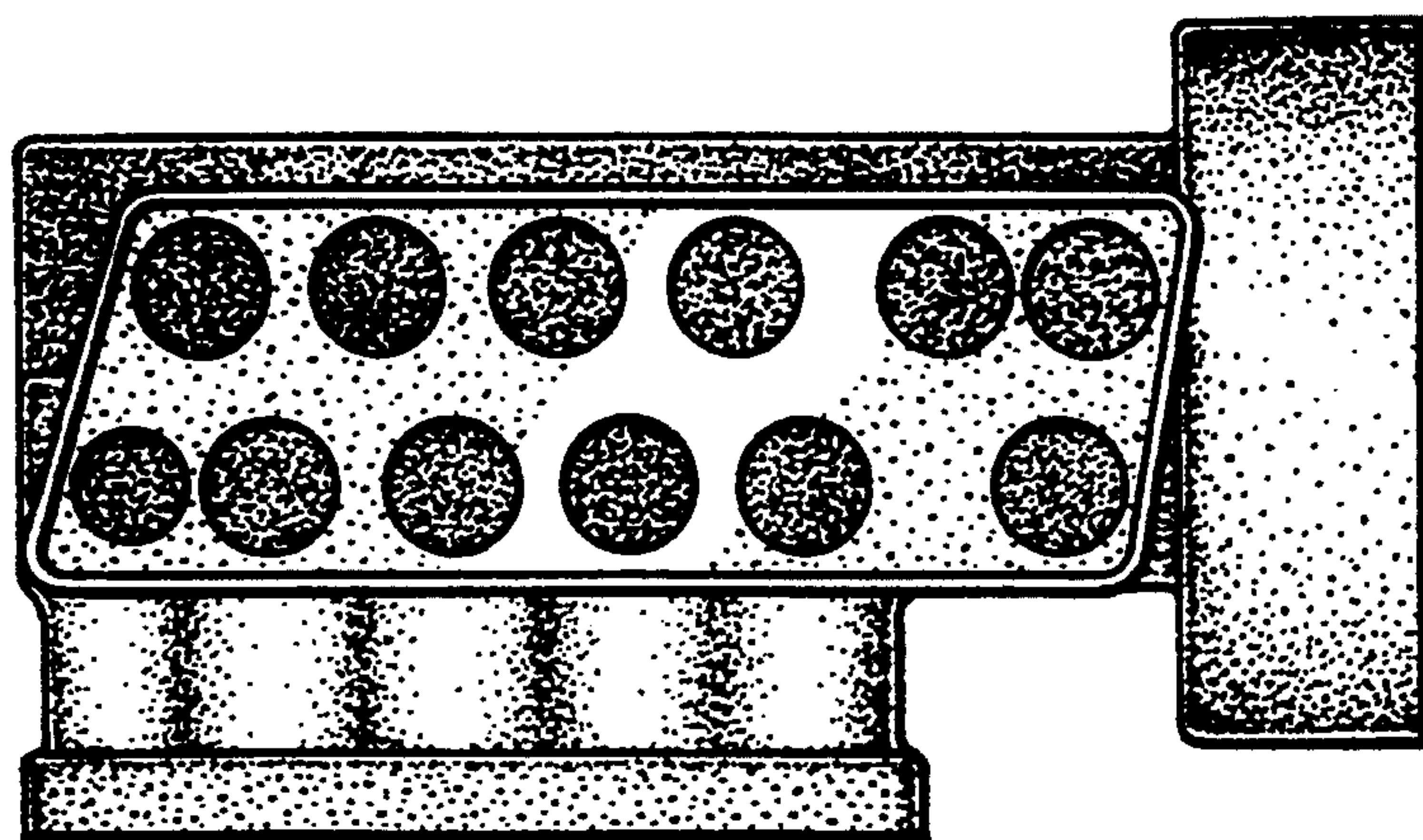


FIG. 2

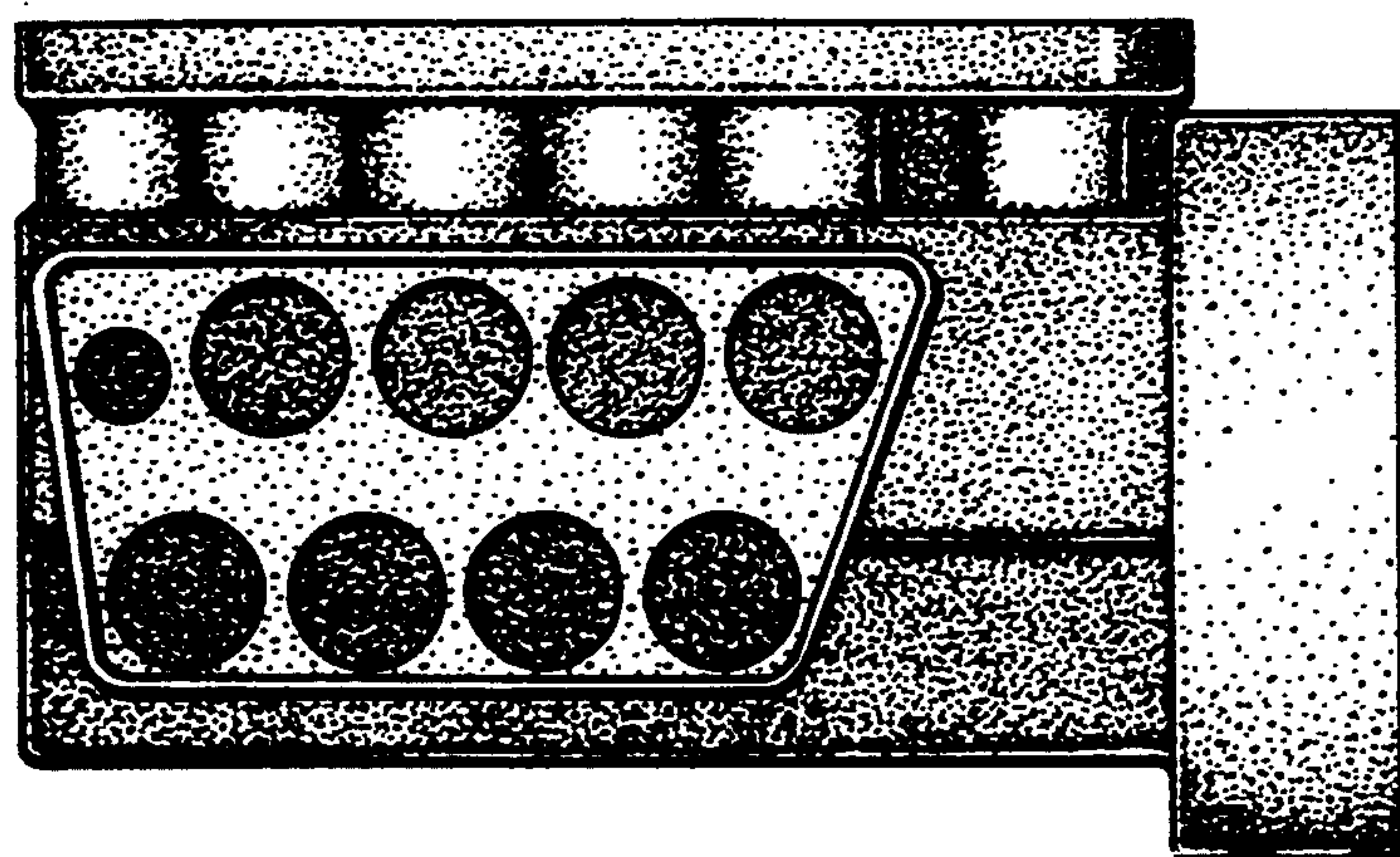


FIG. 3

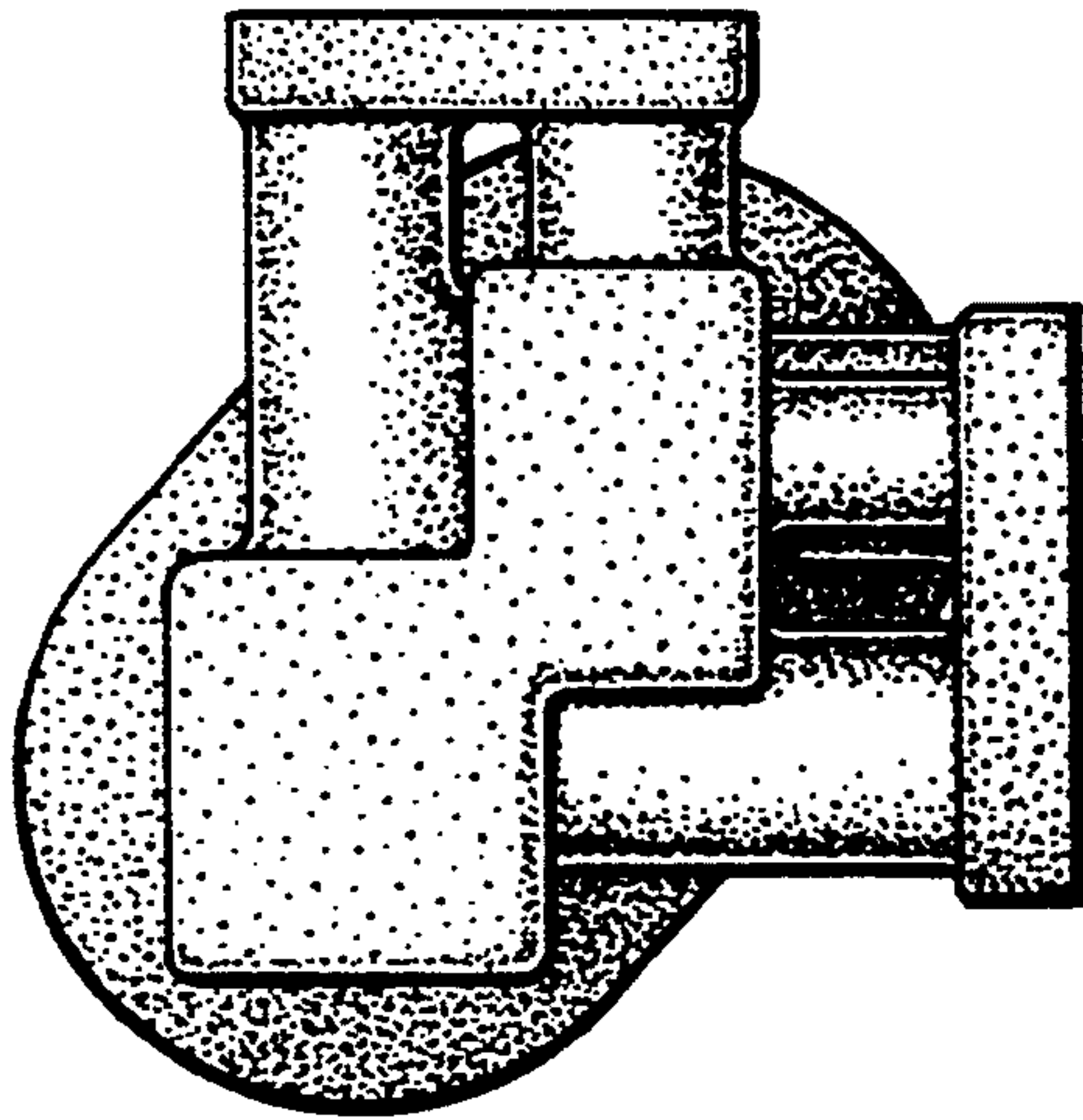


FIG. 4

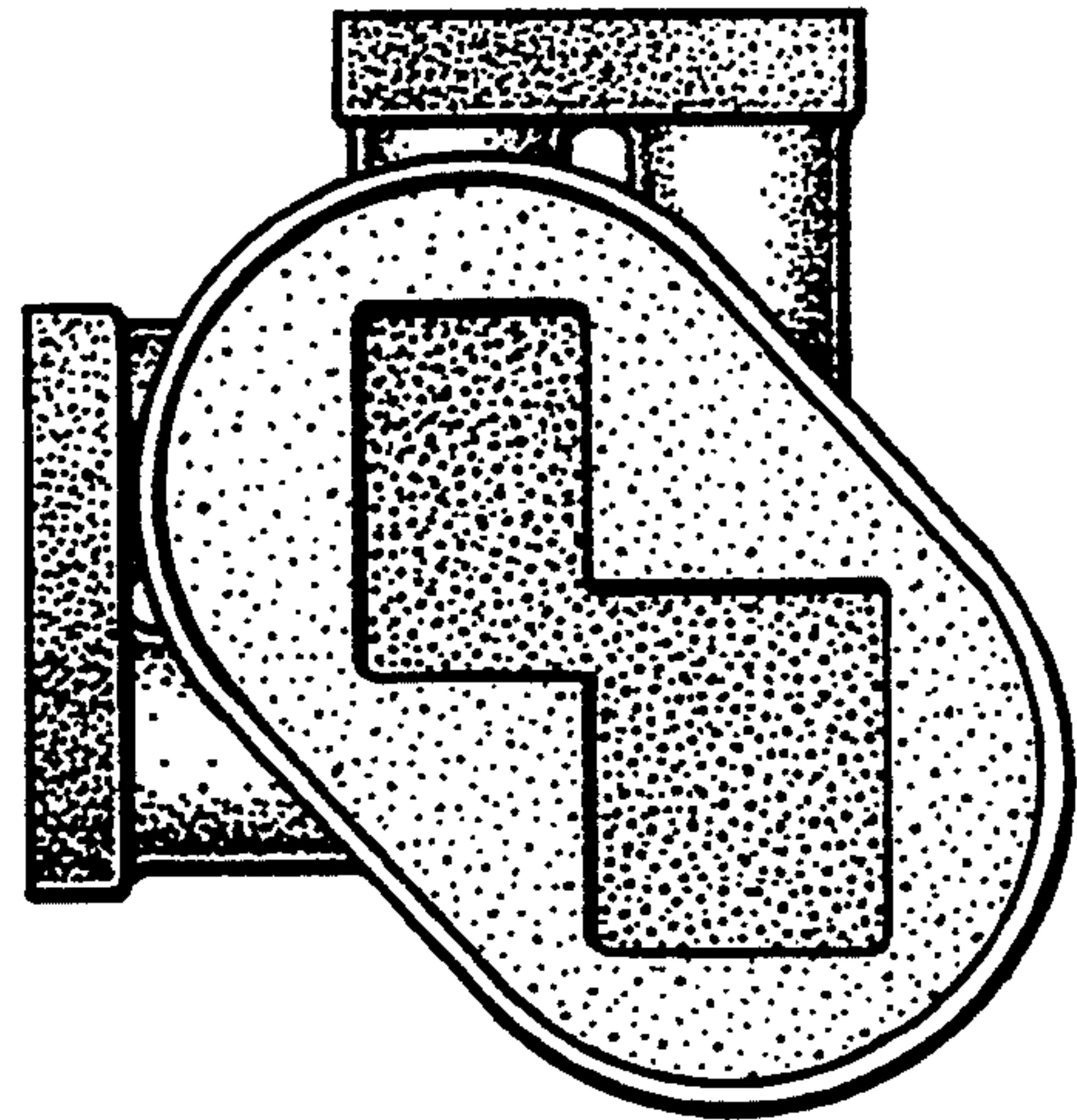


FIG. 5

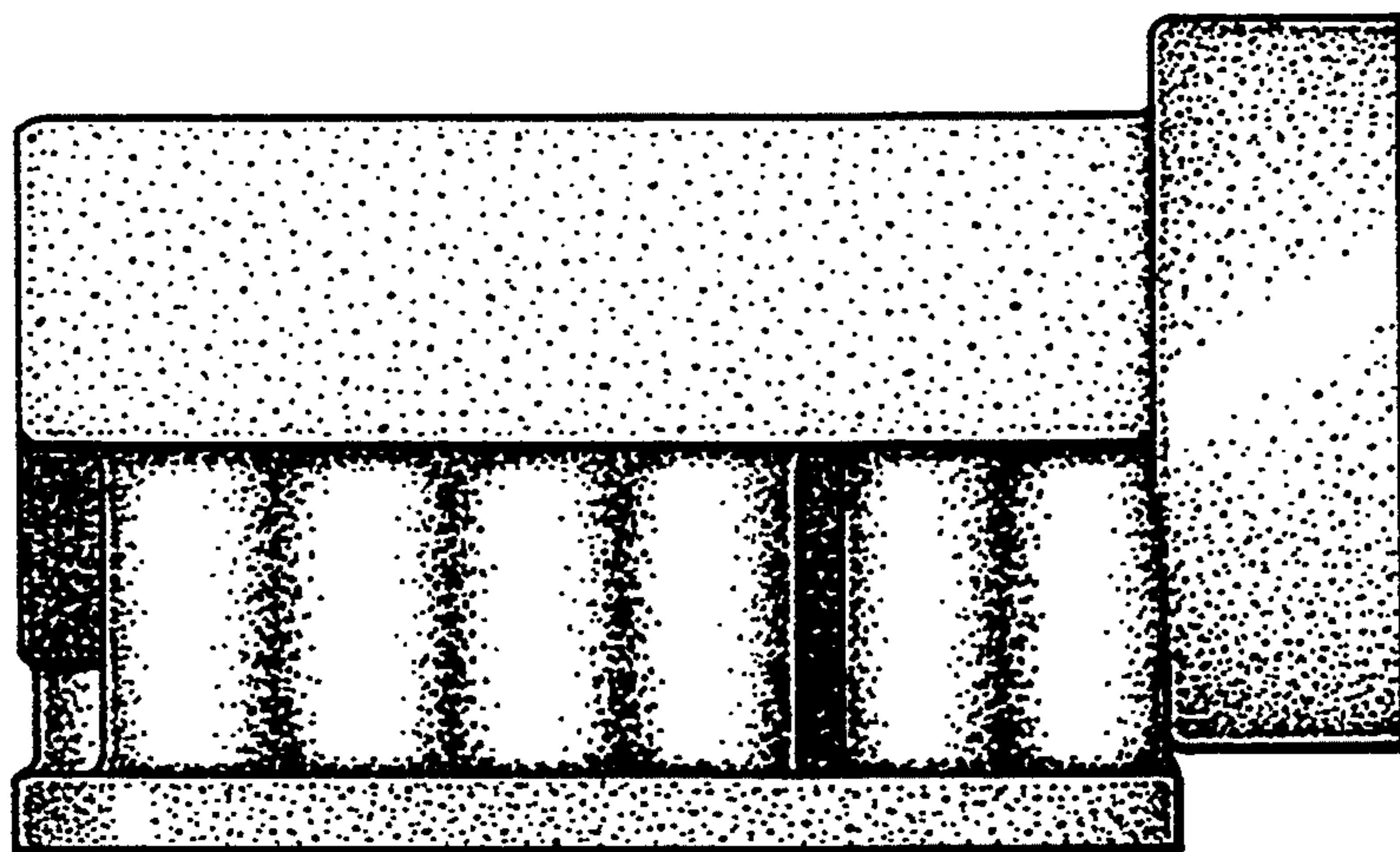


FIG. 6

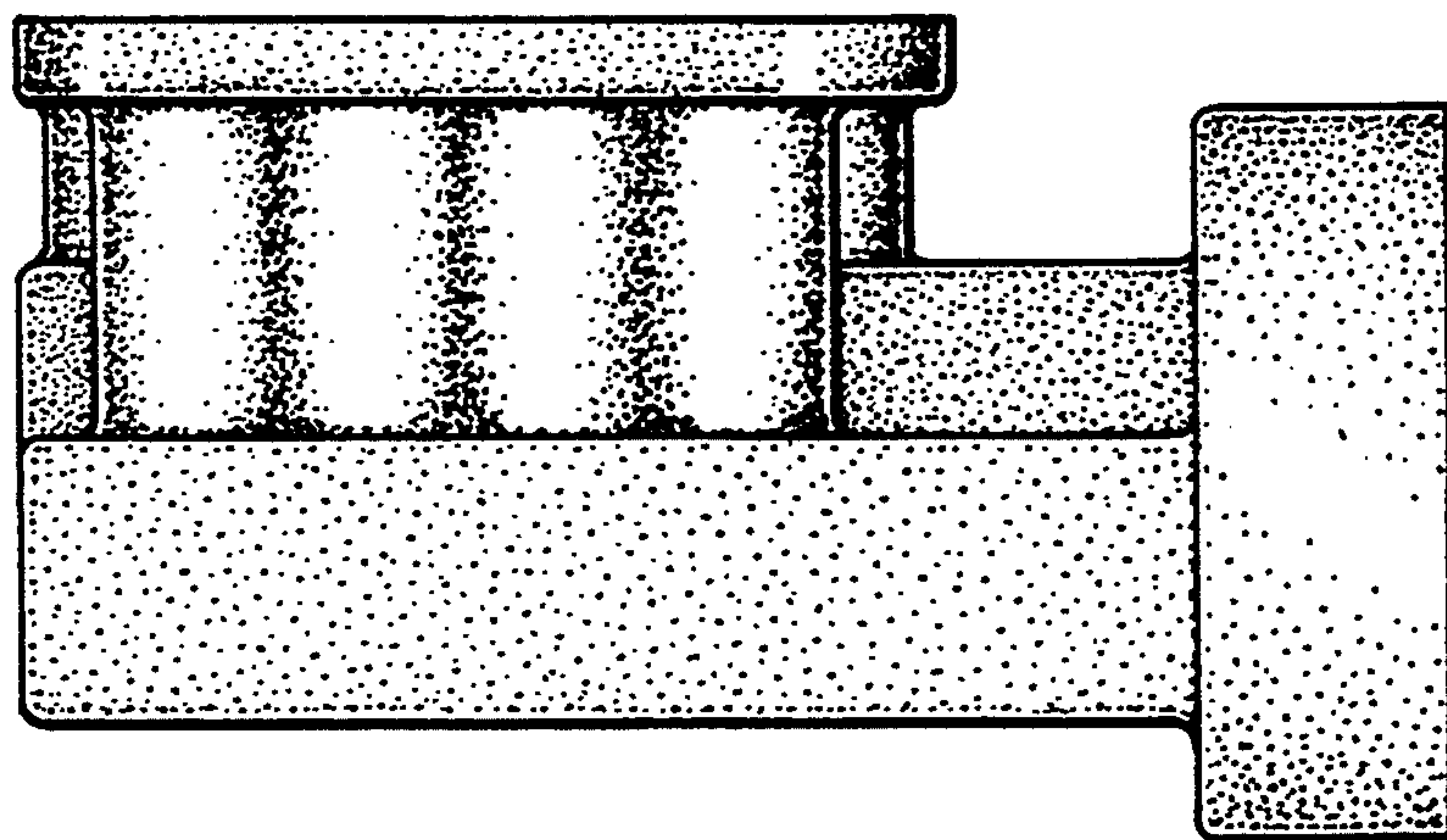


FIG. 7