



US00D354272S

United States Patent [19]

[11] Patent Number: **Des. 354,272**

Reed

[45] Date of Patent: **** Jan. 10, 1995**

[54] **INSULATIVE ELECTRICAL CONNECTOR COVER**

[75] Inventor: **Brian Reed, Amelia, Ohio**

[73] Assignee: **Eger Products, Inc., Cincinnati, Ohio**

[**] Term: **14 Years**

[21] Appl. No.: **9,757**

[22] Filed: **Jun. 21, 1993**

[52] U.S. Cl. **D13/156**

[58] Field of Search **D13/147, 156; 174/72 A, 174/138 F; 361/823; 439/135**

[56] **References Cited**

U.S. PATENT DOCUMENTS

2,956,107	10/1960	Monashkin	439/135 X
3,467,768	9/1969	Shorey	174/138 F
3,922,480	11/1975	Woofter et al.	174/72 A X
3,983,314	9/1976	Filhaber	174/138 F

OTHER PUBLICATIONS

Drawing R-6984 dated Jul. 30, 1986, Sheet 1 and Sheet 2.

Primary Examiner—Joel Sincavage
Attorney, Agent, or Firm—Wood, Herron & Evans

[57] **CLAIM**

The ornamental design for an insulative electrical connector cover, as shown and described.

DESCRIPTION

FIG. 1 is a perspective view depicting the front, top and right sides of the insulative electrical connector cover design of this invention;

FIG. 2 is an elevational view of the right side thereof;

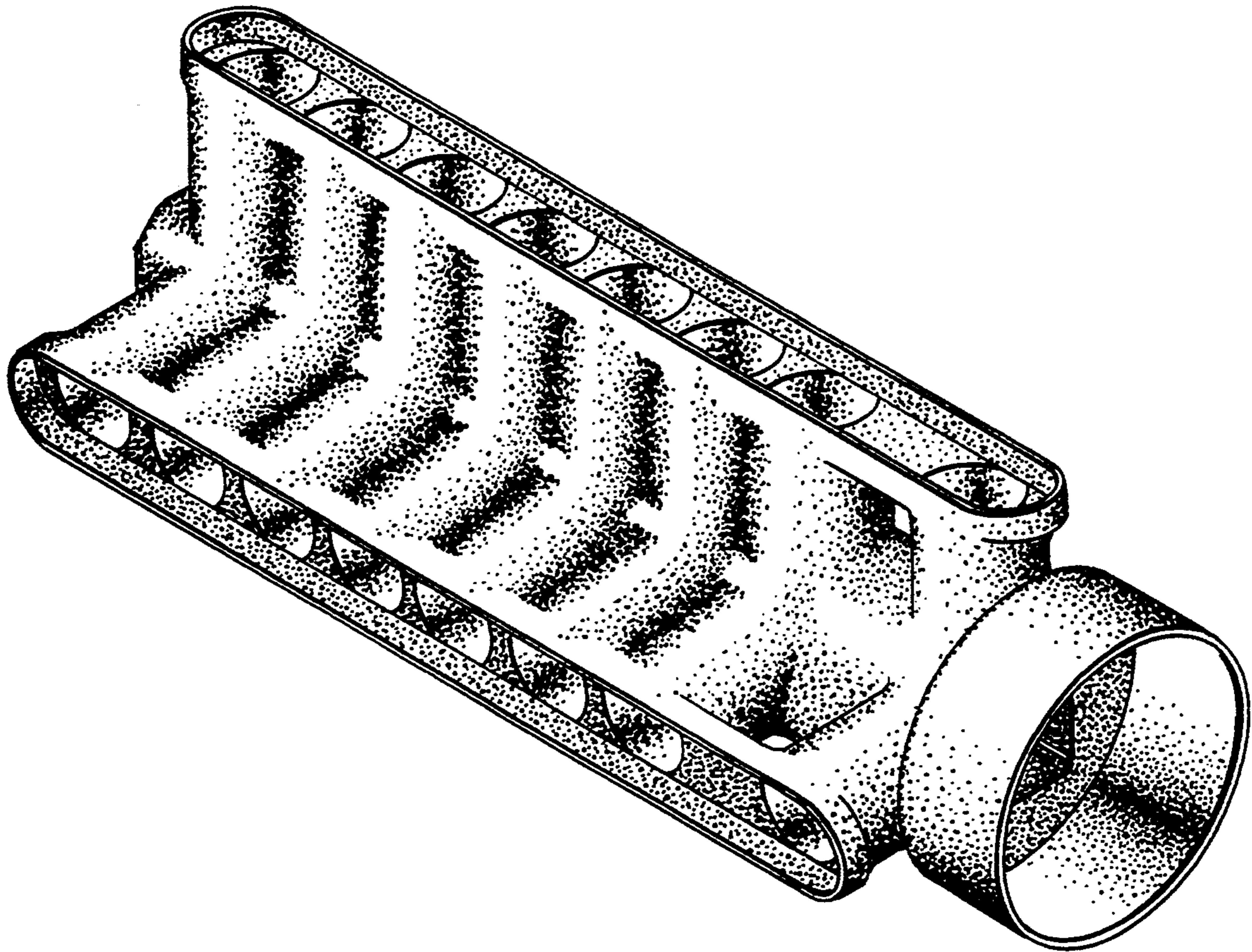
FIG. 3 is an elevational view of the left side thereof;

FIG. 4 is a top plan view thereof;

FIG. 5 is a front elevational view thereof;

FIG. 6 is a bottom plan view thereof; and,

FIG. 7 is a rear elevational view thereof.



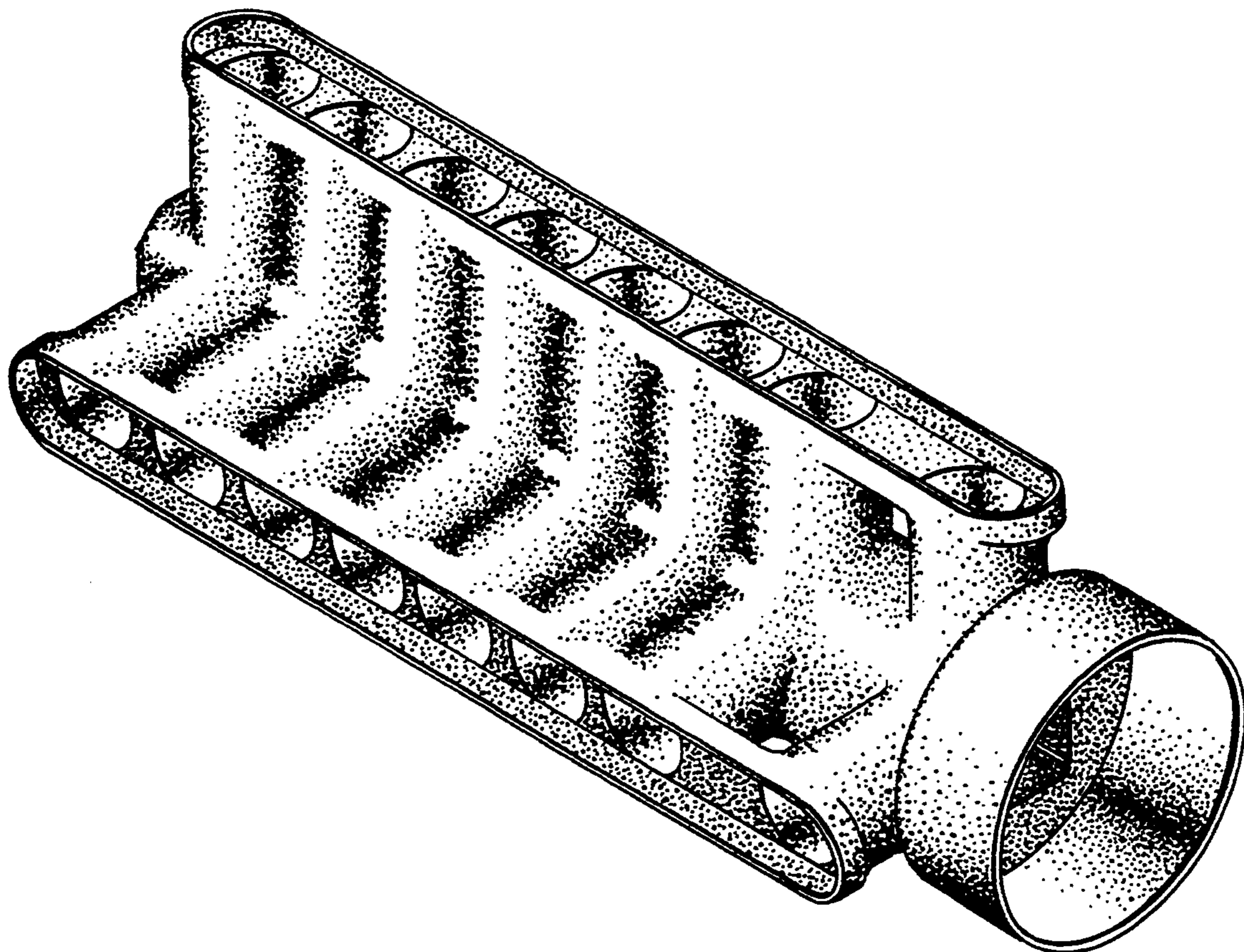


FIG. 1

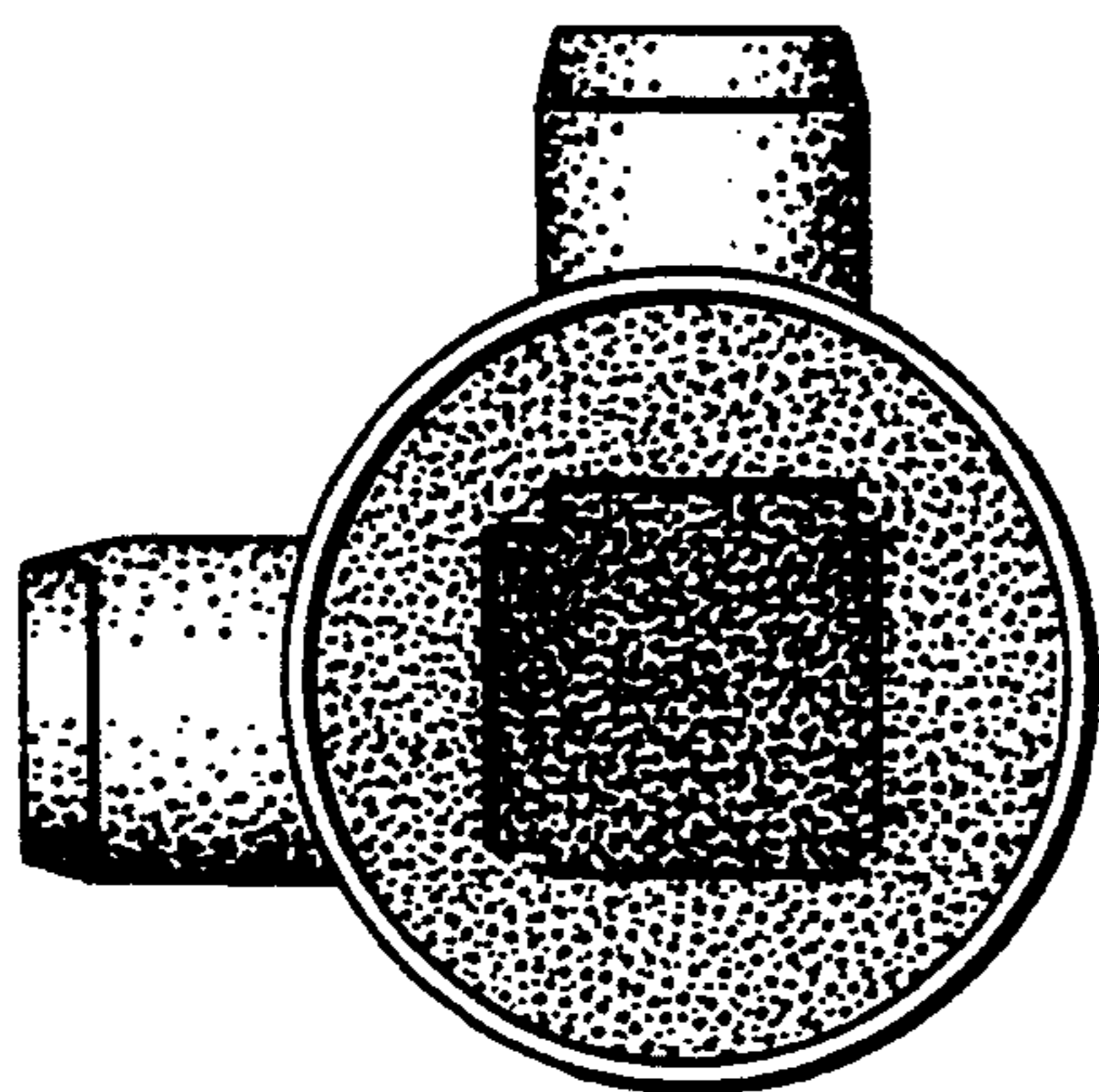


FIG. 2

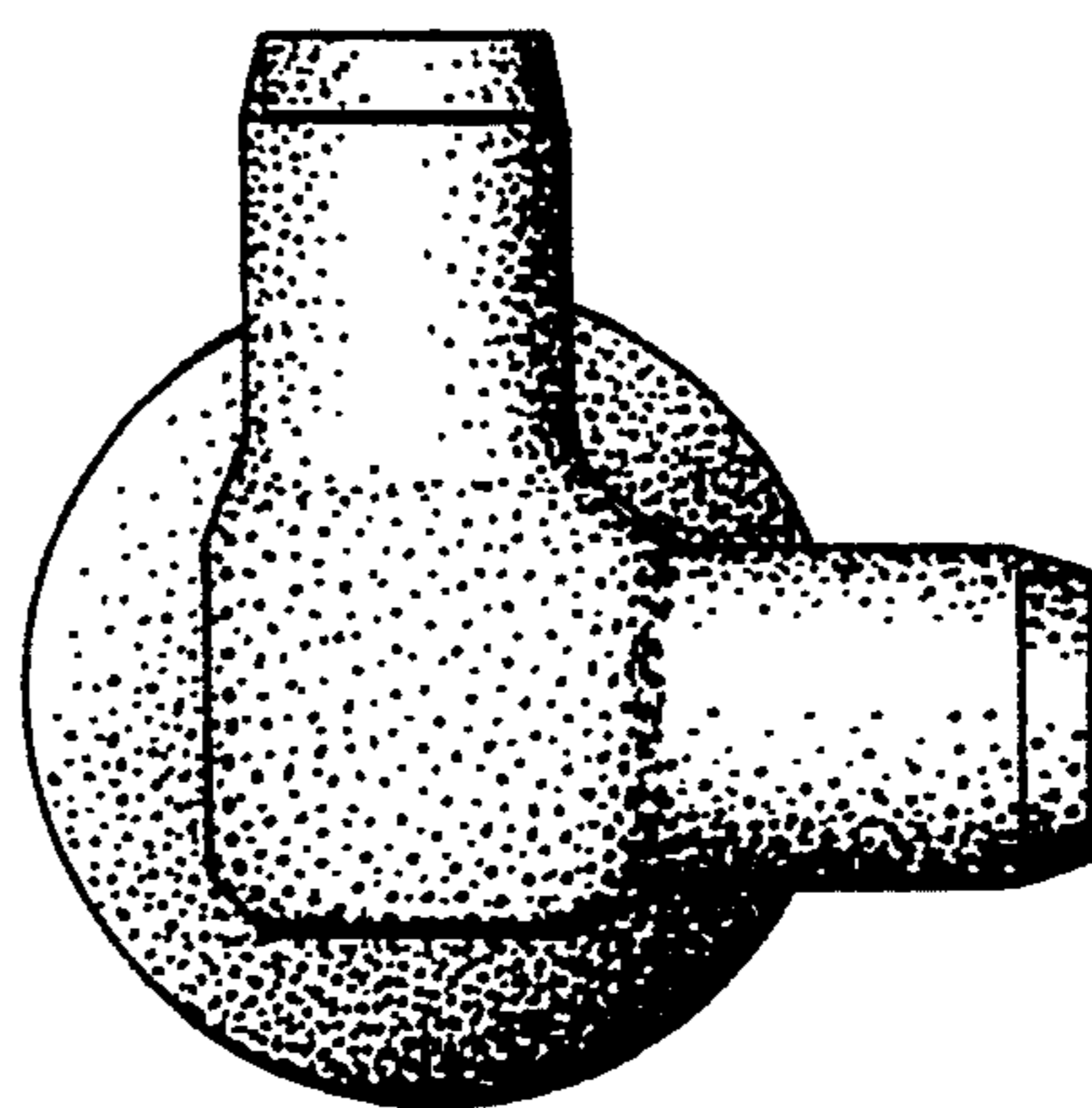


FIG. 3

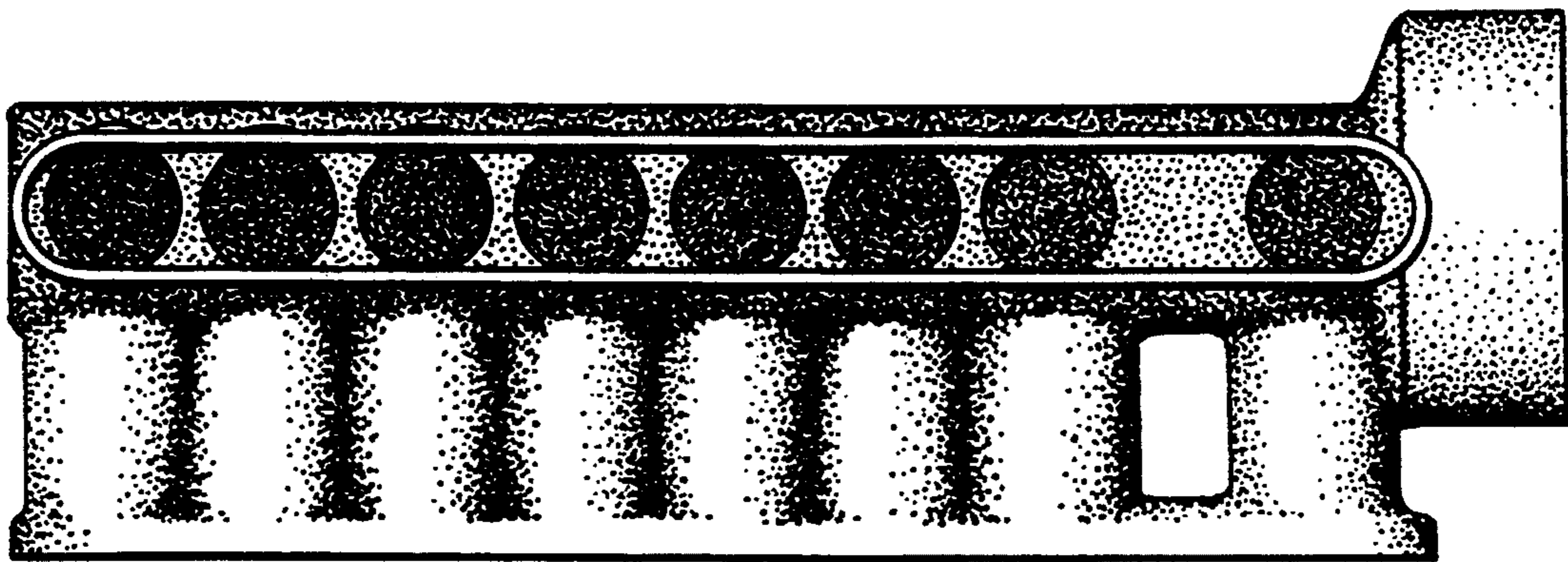


FIG. 4

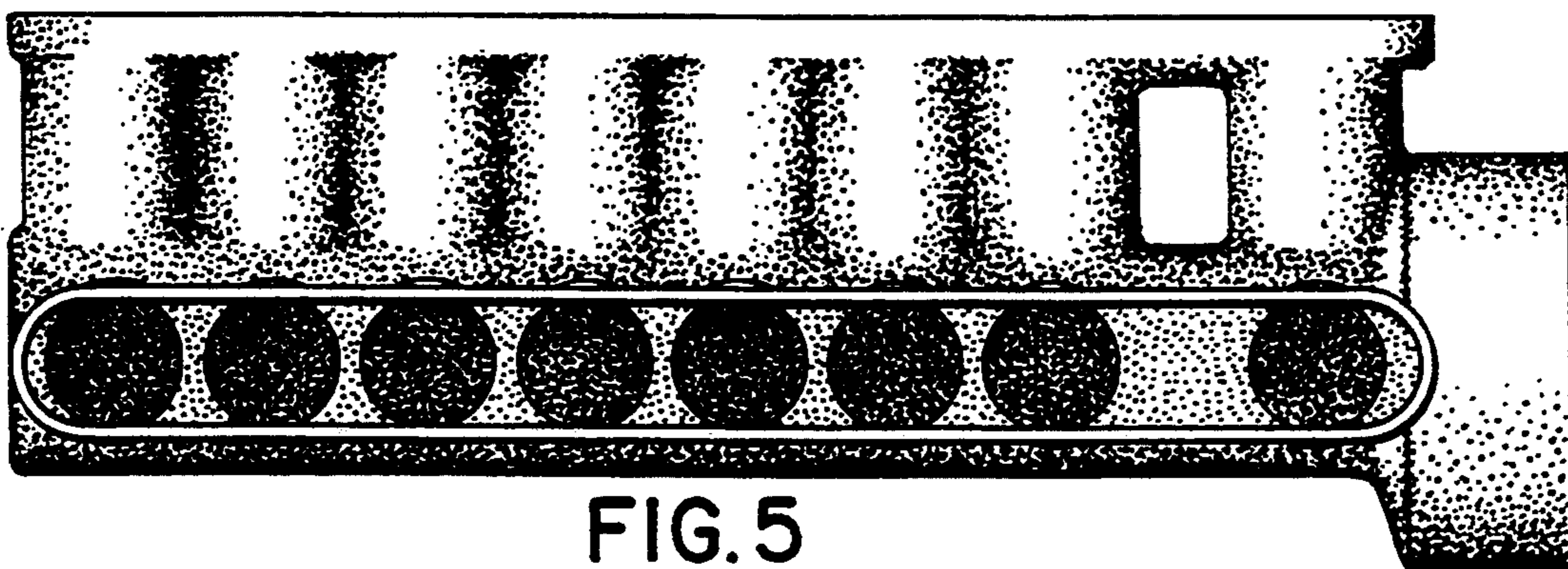


FIG. 5

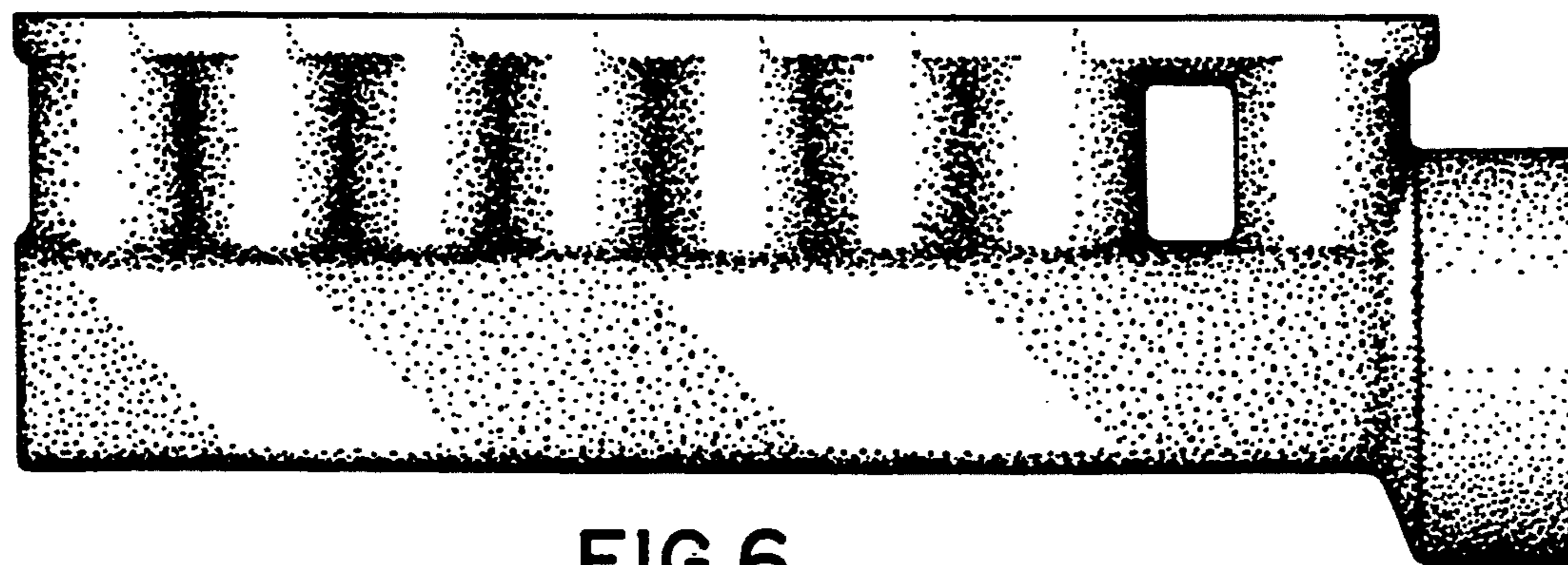


FIG. 6

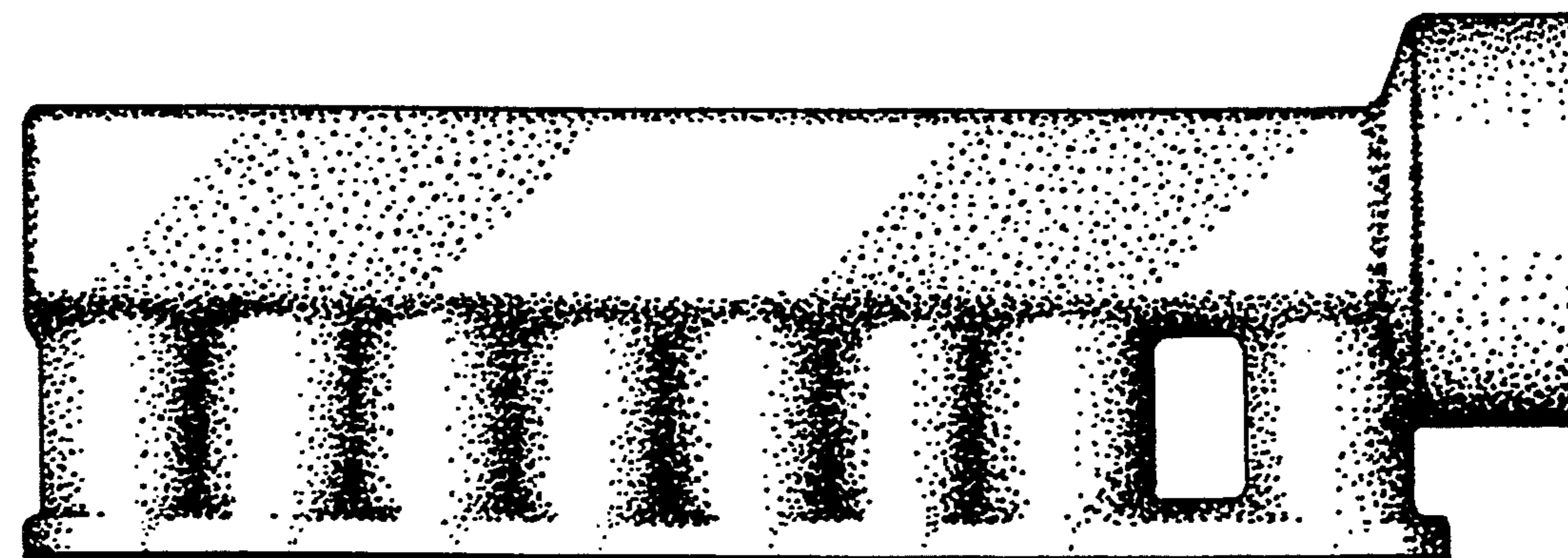


FIG. 7