



US00D354270S

United States Patent [19] Cichoracki

[11] Patent Number: **Des. 354,270**

[45] Date of Patent: **** Jan. 10, 1995**

[54] **SHOCK PROOF WALL PLUG**

[76] Inventor: **Glenn E. Cichoracki**, 69289 N. Main St., Richmond, Mich. 48062

[**] Term: **14 Years**

[21] Appl. No.: **16,633**

[22] Filed: **Dec. 21, 1993**

[52] U.S. Cl. **D13/138**

[58] Field of Search **D13/137, 138; 439/141, 439/449, 474, 476, 483, 484, 606, 694**

5,123,861 6/1992 Verge 439/141 X

FOREIGN PATENT DOCUMENTS

918431 2/1947 France 439/483
 758328 8/1980 U.S.S.R. 439/476

OTHER PUBLICATIONS

Plugs in Cooper Industries, Inc. advertisement.

Primary Examiner—Joel Sincavage

[57] CLAIM

The ornamental design for the shock proof wall plug, as shown and described.

DESCRIPTION

FIG. 1 is a front elevational view of the shock proof wall plug showing my new design;
 FIG. 2 is a rear elevational view thereof;
 FIG. 3 is a left side elevational view thereof;
 FIG. 4 is a right side elevational view thereof;
 FIG. 5 is a top plan view thereof; and,
 FIG. 6 is a bottom plan view thereof.

[56] References Cited

U.S. PATENT DOCUMENTS

D. 306,282	2/1990	Arehart et al.	D13/138
D. 344,064	2/1994	Cirullo	D13/138
4,340,267	7/1982	Nukaga	439/141
4,391,481	7/1983	Golden	439/141
4,445,739	5/1984	Wooten	439/140
4,810,199	3/1989	Kar	439/141
5,030,119	7/1991	Lowe	439/141

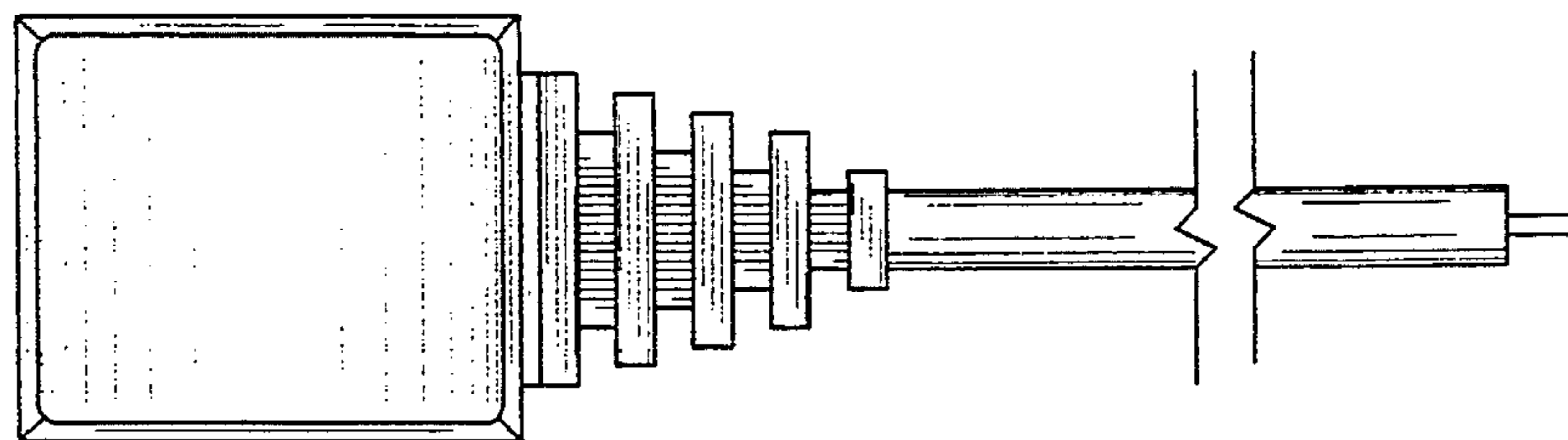
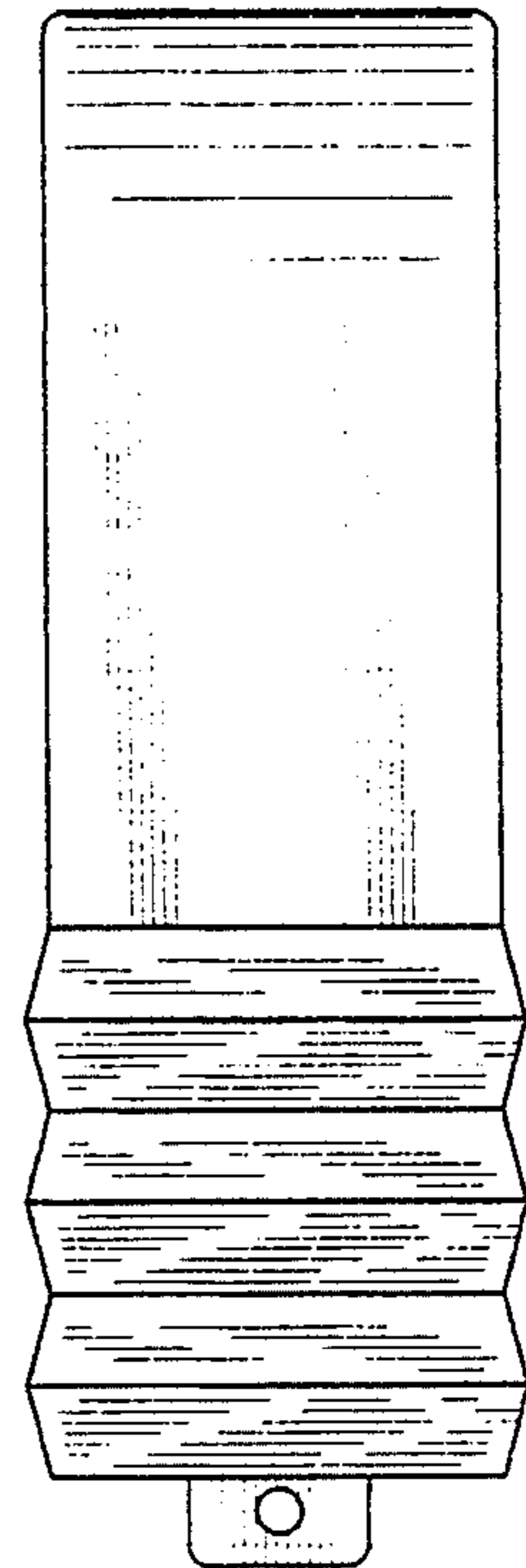
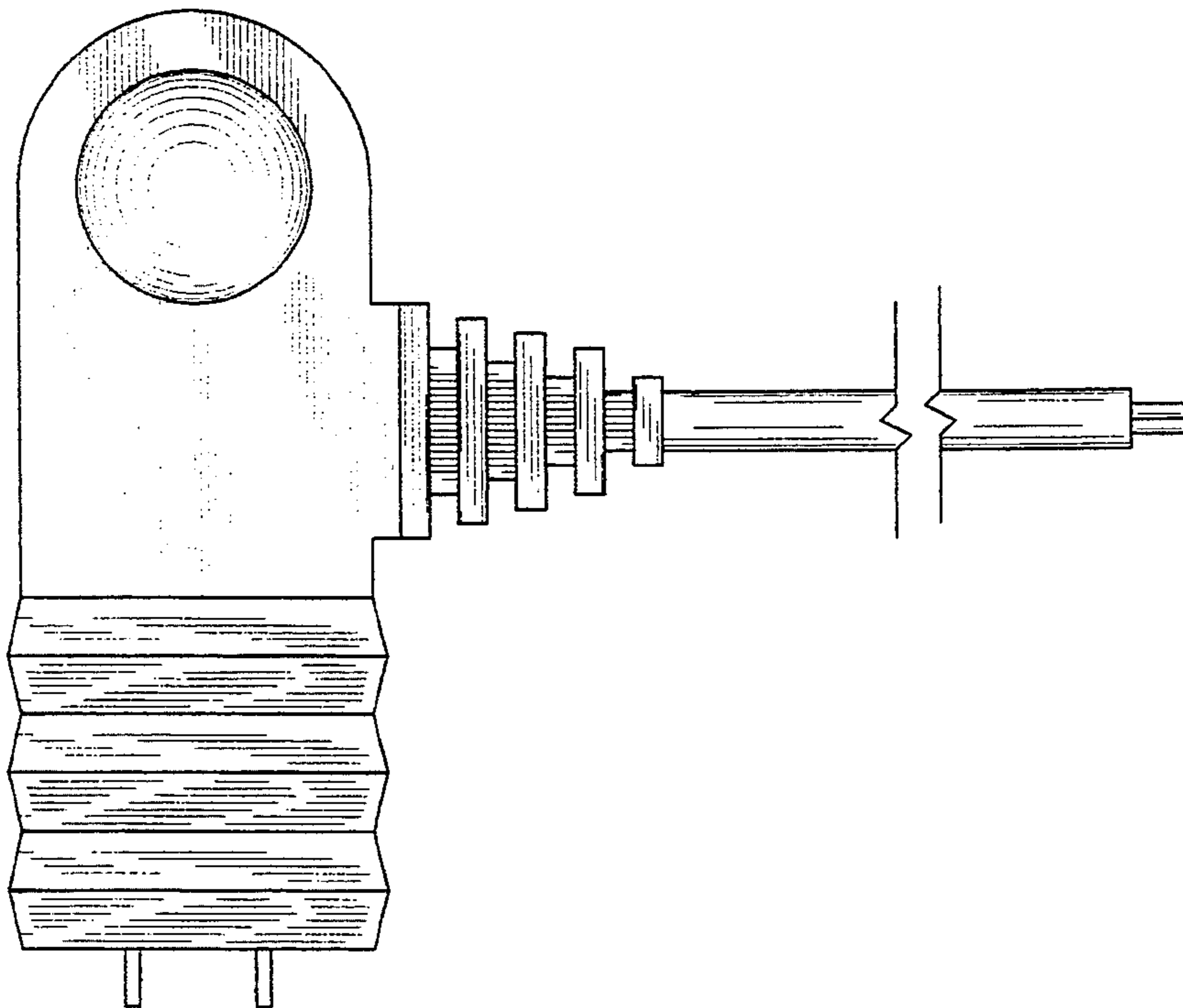


FIG. 1

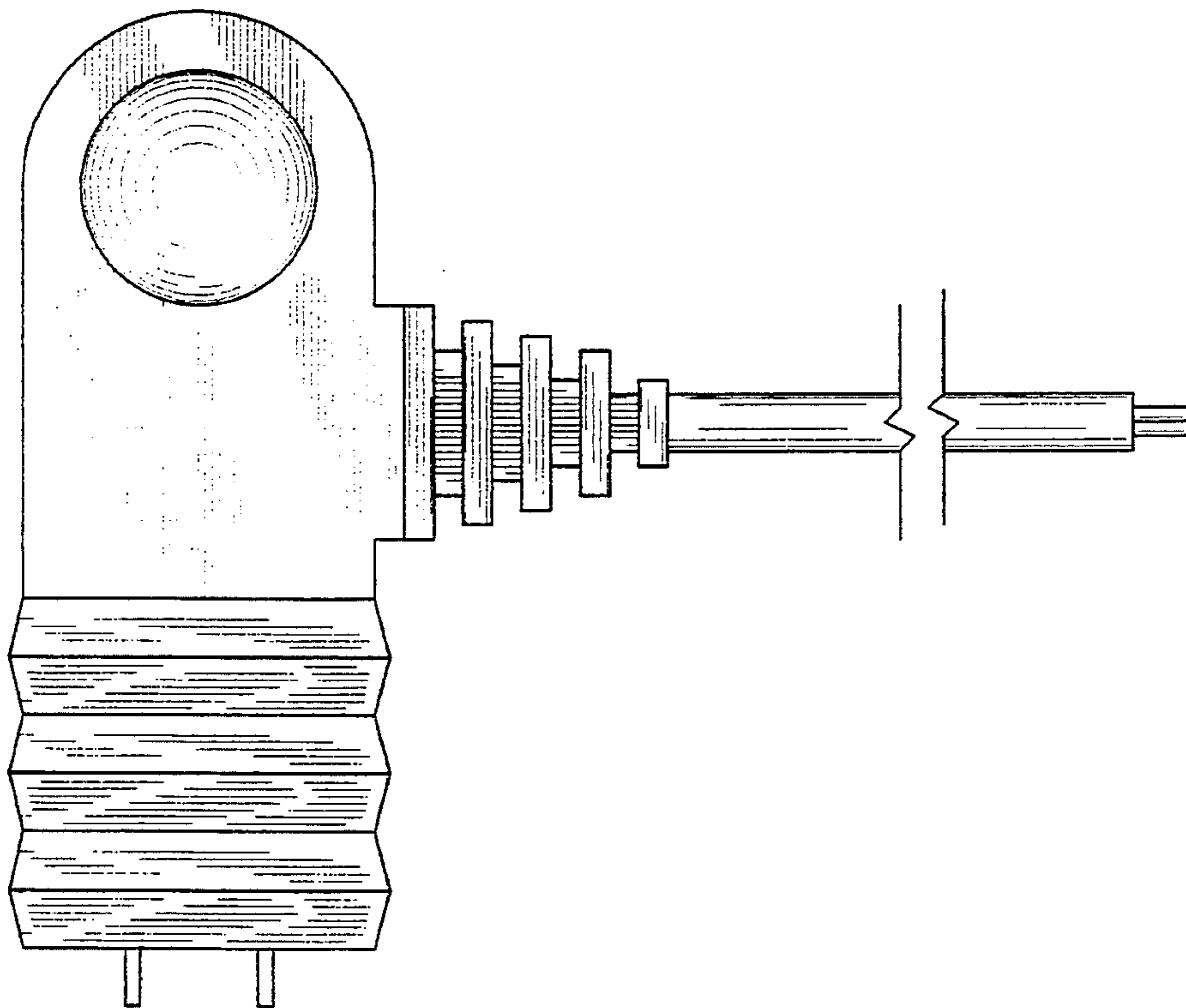


FIG. 2

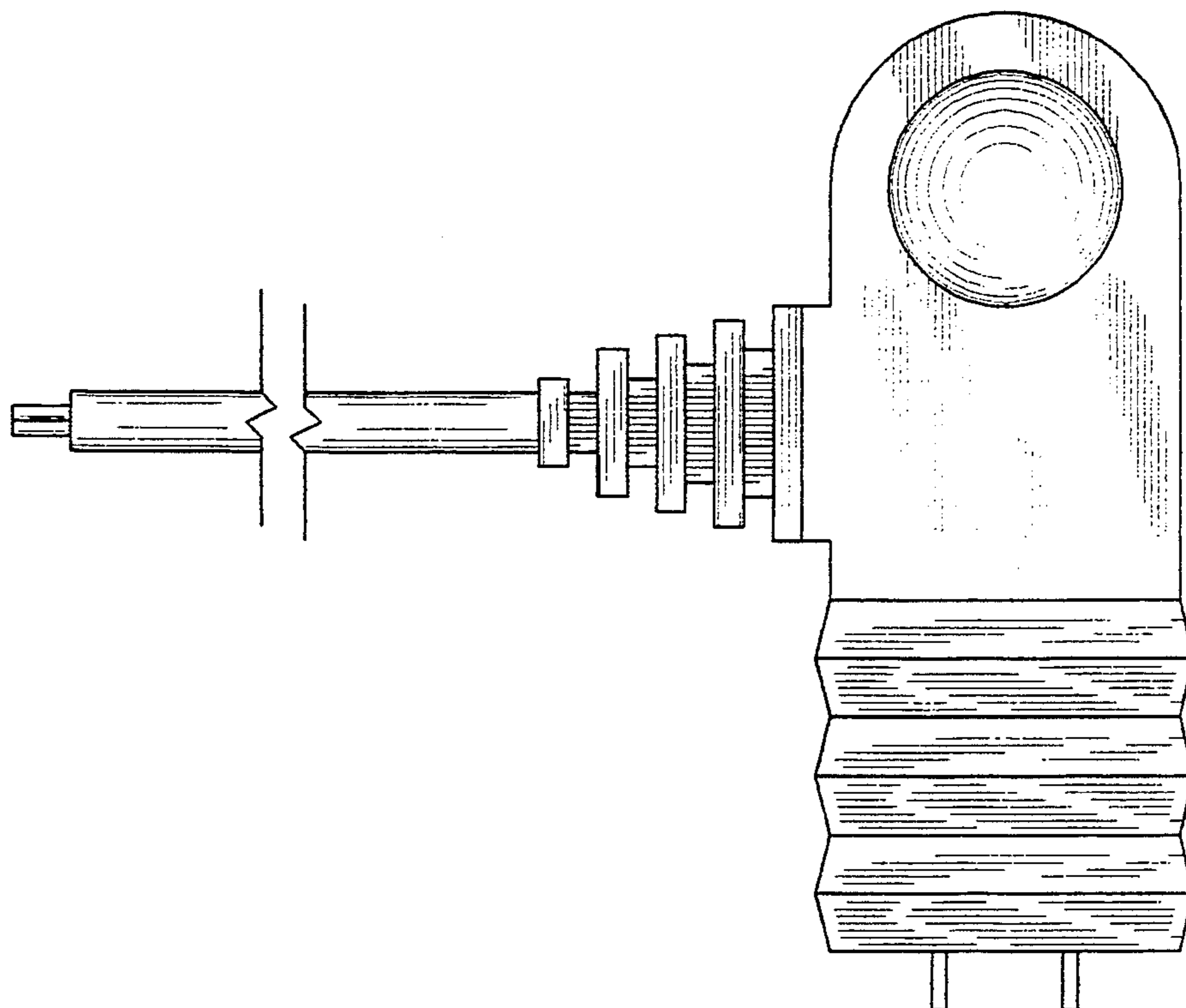


FIG. 3

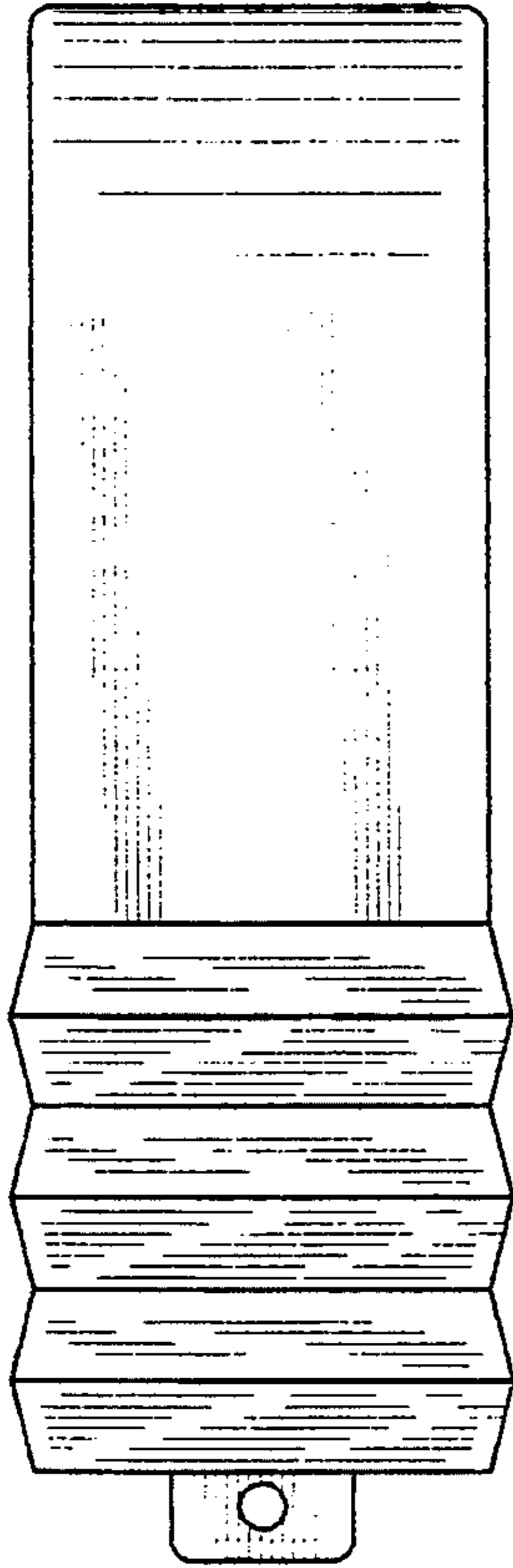


FIG. 4

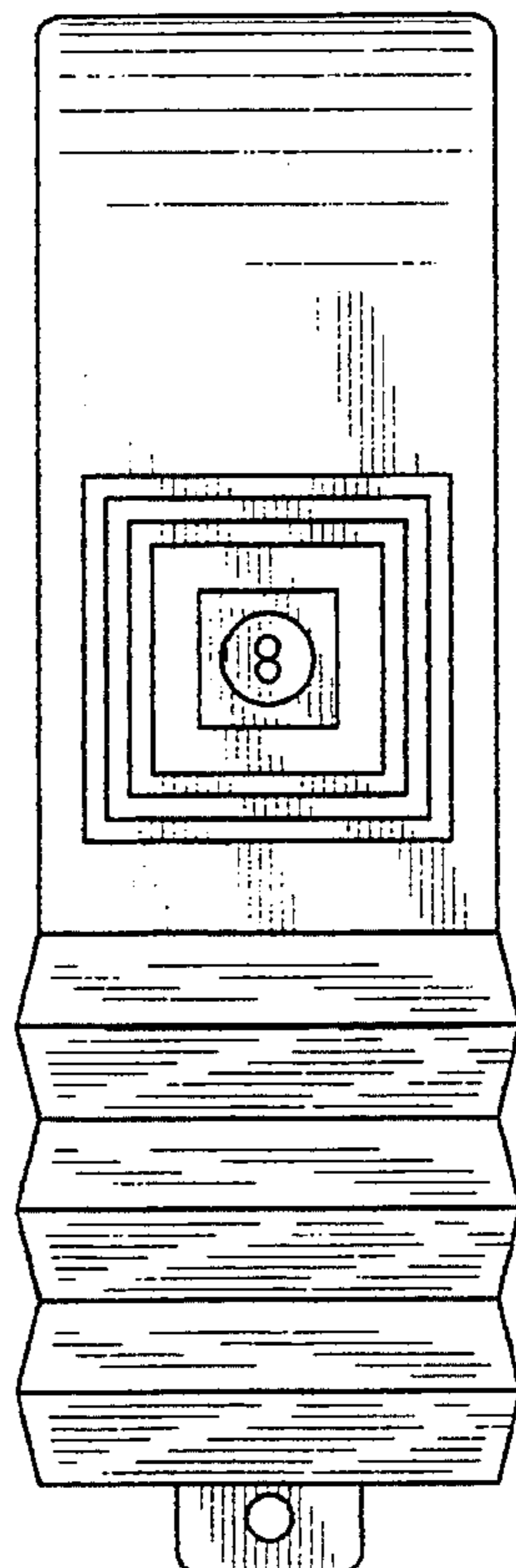


FIG. 5

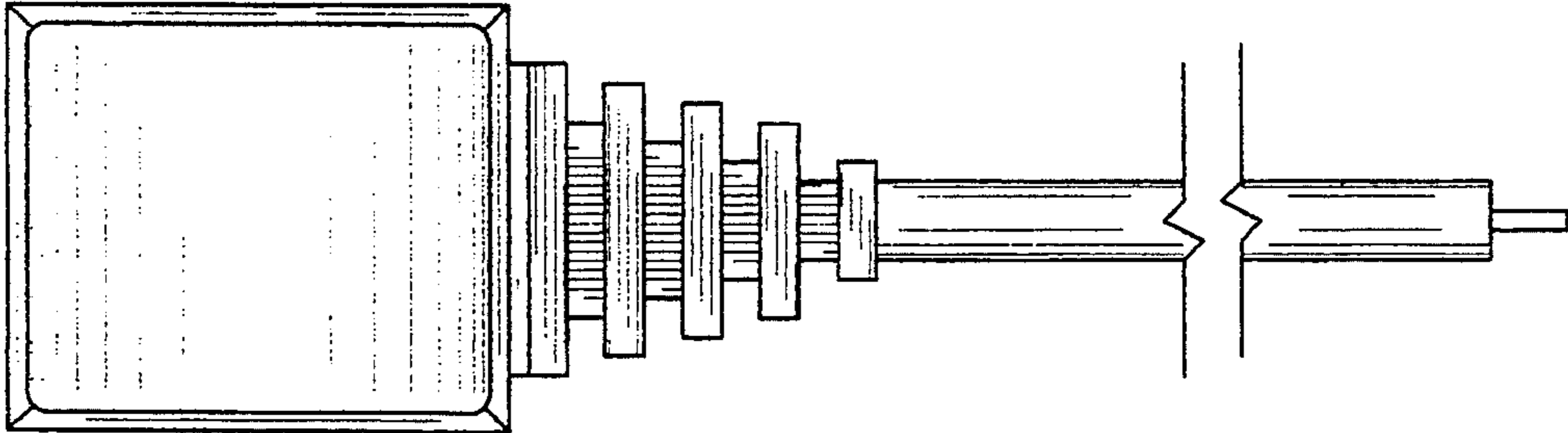


FIG. 6

