



US00D354267S

United States Patent [19]

[11] Patent Number: **Des. 354,267**

Severinsky

[45] Date of Patent: **** Jan. 10, 1995**

[54] POWER SUPPLY

[76] Inventor: **Alex J. Severinsky**, 10904 Pebble Run Dr., Silver Spring, Md. 20902

[**] Term: **14 Years**

[21] Appl. No.: **7,504**

[22] Filed: **Apr. 26, 1993**

[52] U.S. Cl. **D13/110; D13/142**

[58] Field of Search **D13/110, 123, 142, 143; D14/107, 114; 307/150, 151; 361/600, 601; 363/141; D25/134**

[56] References Cited

U.S. PATENT DOCUMENTS

D. 279,285	6/1985	Schwartz	D13/142
D. 284,758	7/1986	Maloney	D13/142
D. 284,852	7/1986	Maloney	D13/142
D. 285,788	9/1986	Rapp et al.	D13/142
D. 305,641	1/1990	DeLuca	D13/142
D. 340,026	10/1993	Slagel	D13/142
4,876,713	10/1989	Crosby et al.	D13/142 X

OTHER PUBLICATIONS

Surge suppressor on the rear cover of 1988 *Business Land* catalog.

Power supplies on p. 79 of May 24, 1990 issue of *EDN*.

Primary Examiner—Wallace R. Burke

Assistant Examiner—Joel Sincavage

Attorney, Agent, or Firm—Banner, Birch, McKie & Beckett

[57] CLAIM

The ornamental design for a power supply, as shown and described.

DESCRIPTION

FIG. 1 is a rear and upper left perspective view of a power supply embodying my improved design;

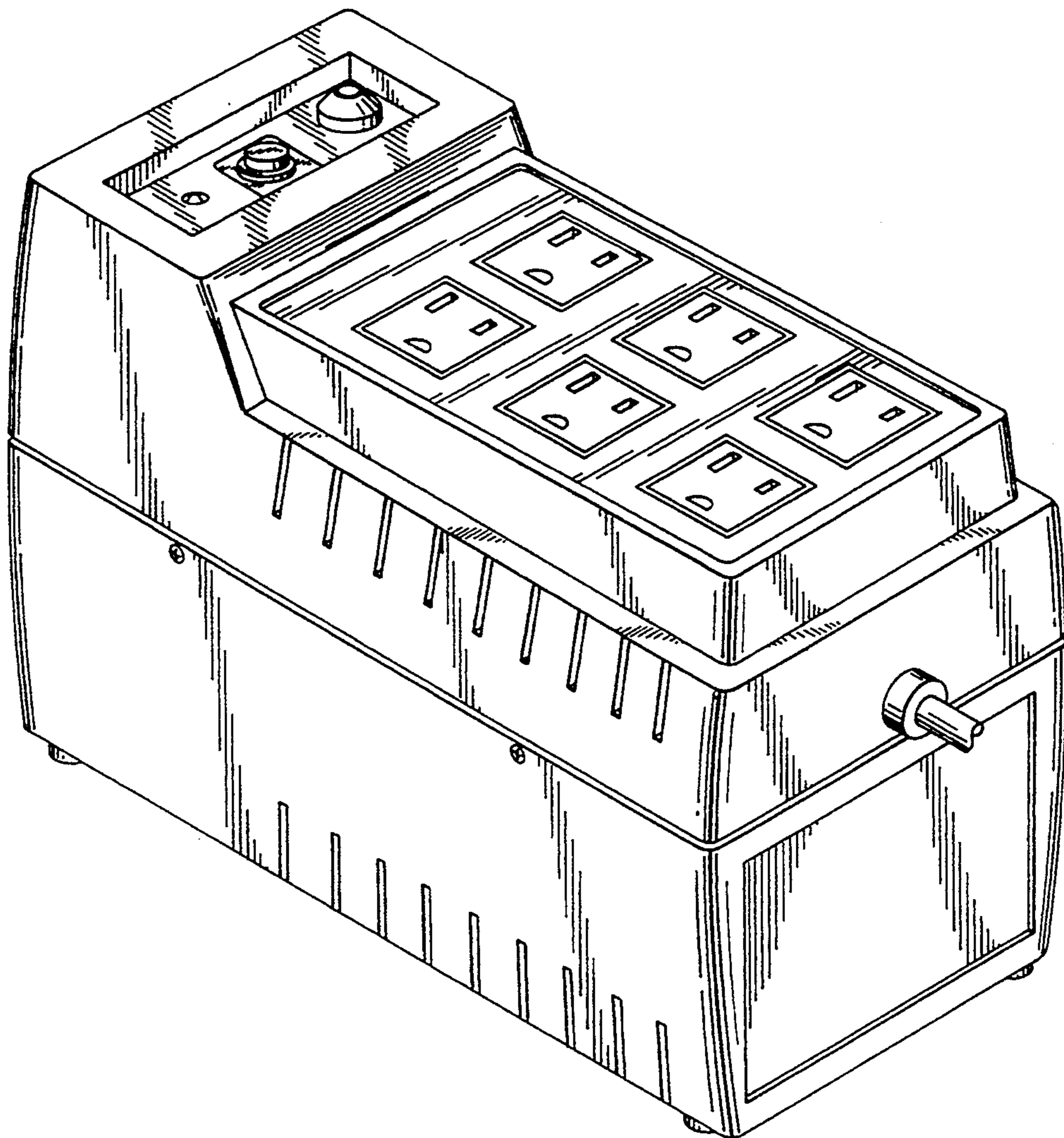
FIG. 2 is a left side elevation view thereof;

FIG. 3 is a rear elevation view thereof;

FIG. 4 is a front elevation view thereof;

FIG. 5 is a top plan view thereof; and,

FIG. 6 is a bottom plan view thereof.



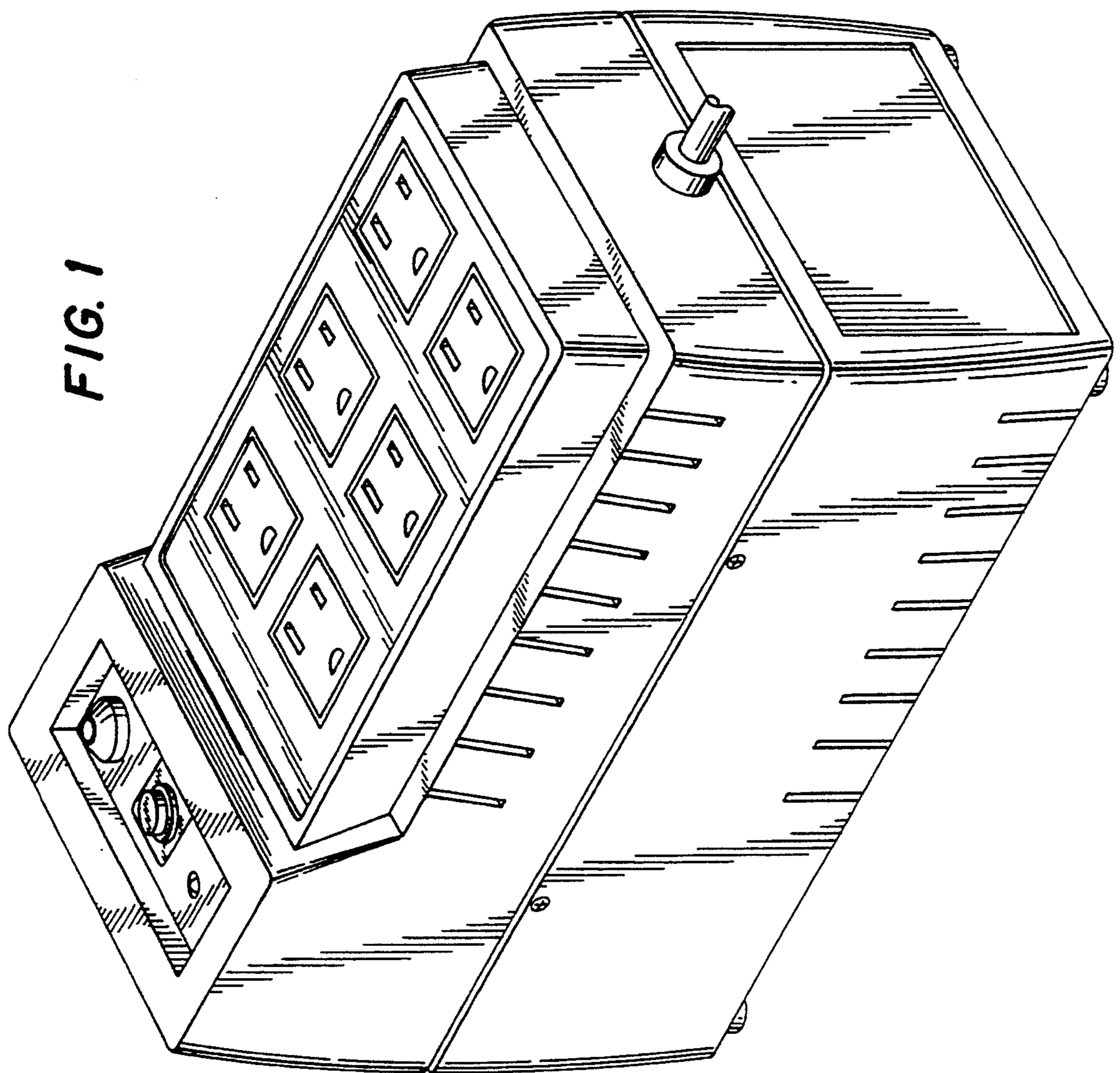


FIG. 1

FIG. 2

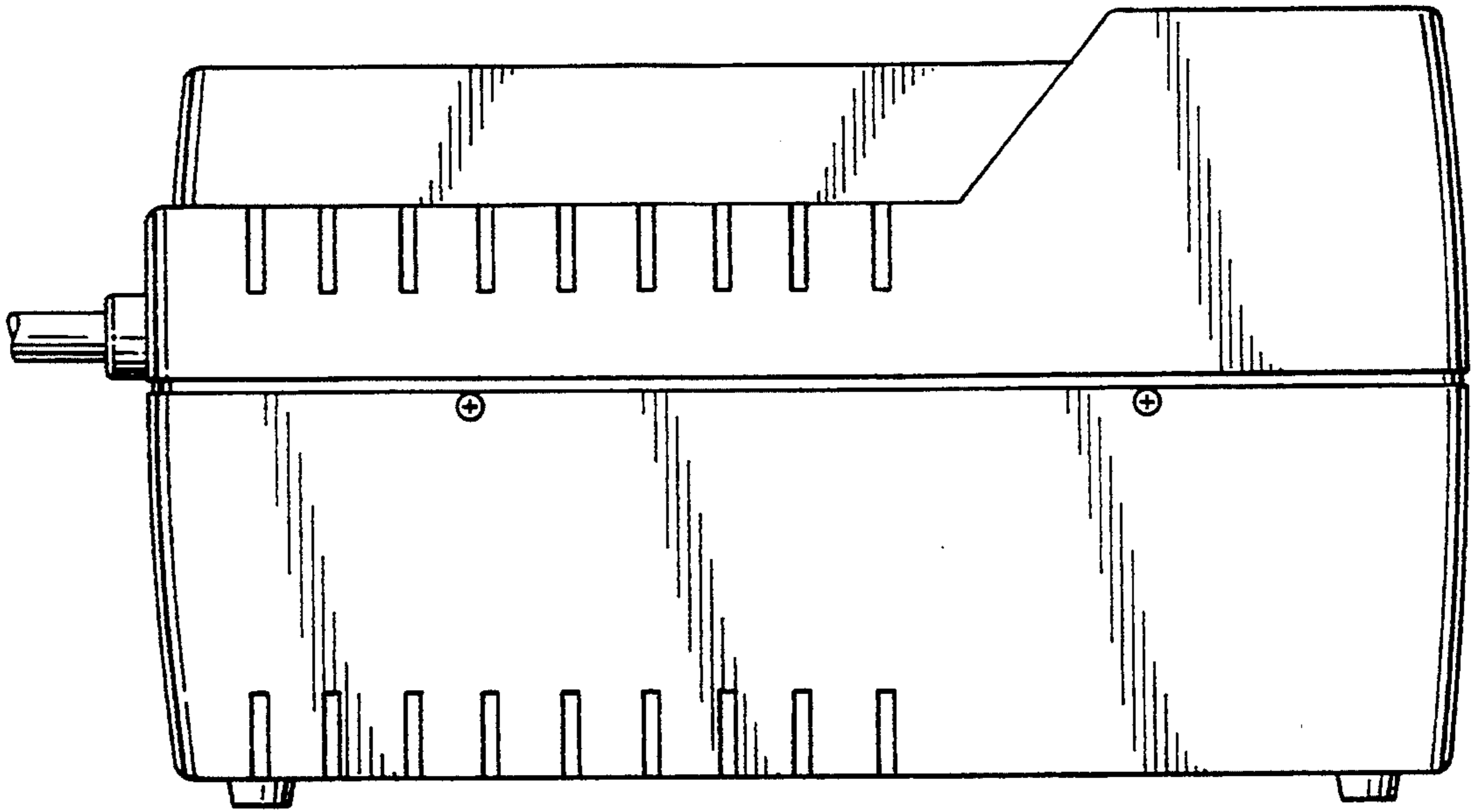


FIG. 3

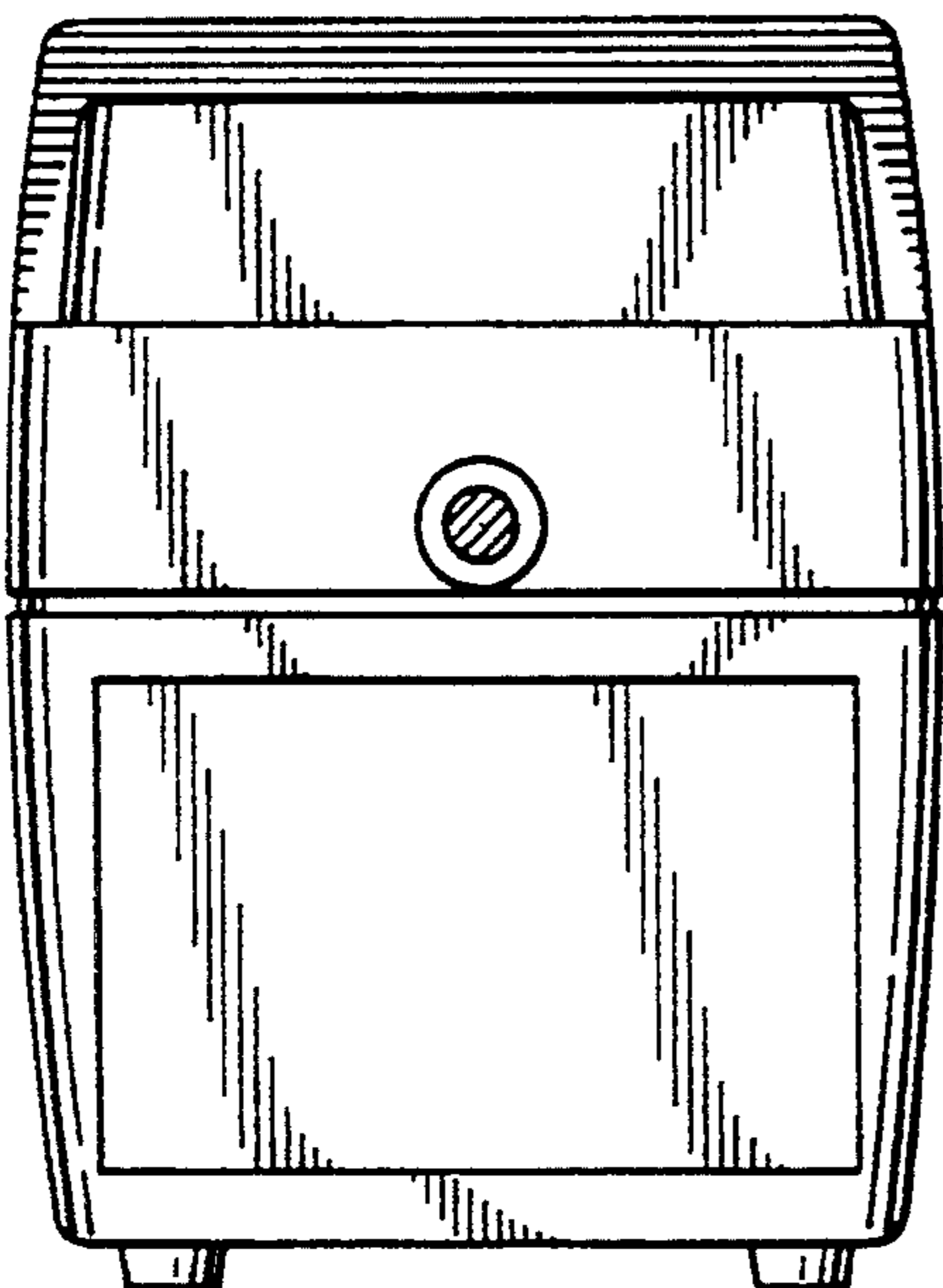


FIG. 4

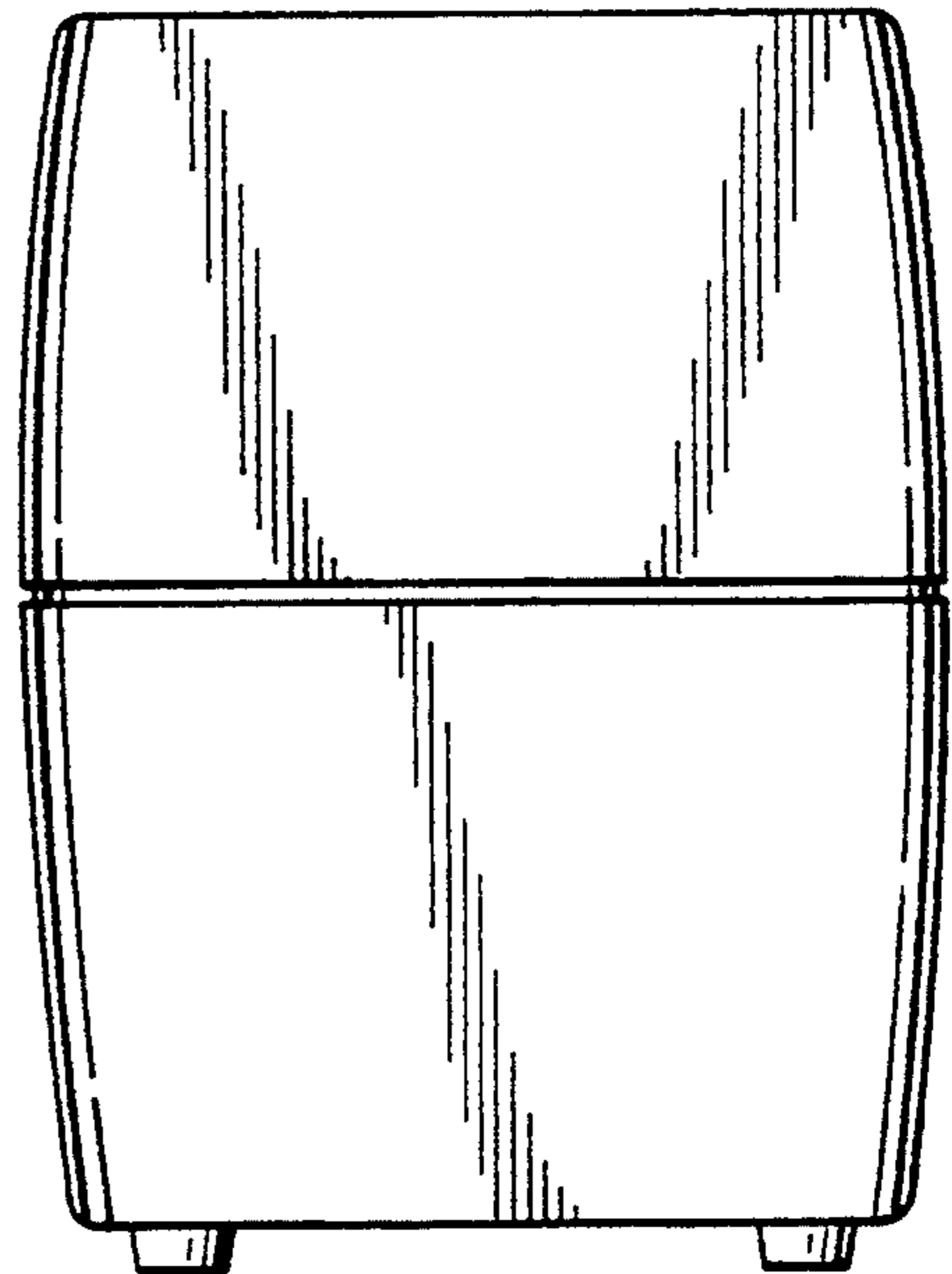


FIG. 5

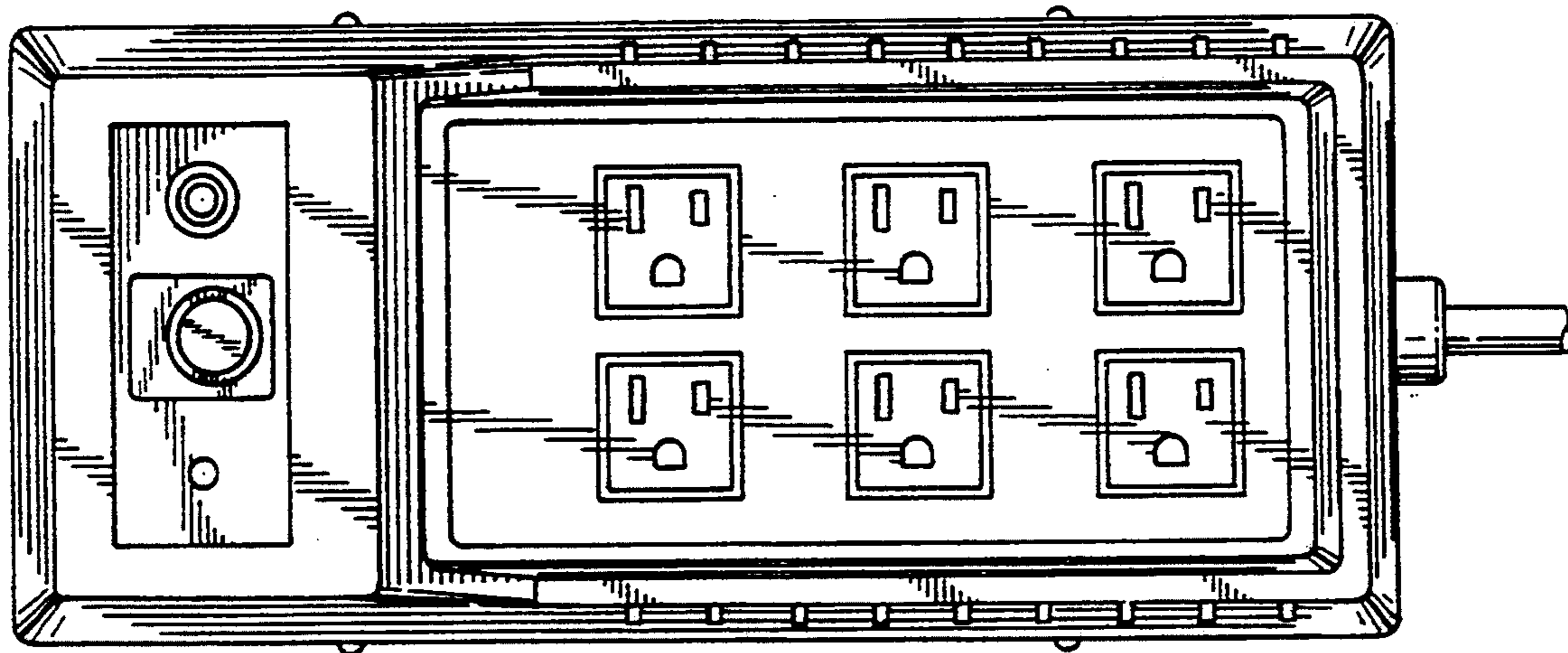


FIG. 6

