



US00D354263S

United States Patent [19]

Clark et al.

[11] Patent Number: **Des. 354,263**

[45] Date of Patent: **** Jan. 10, 1995**

[54] **EXTENDABLE TRAILER HITCH**

[76] Inventors: **Kelly E. Clark; Mary Clark**, both of
122 Virginia St., Yerington, Nev.
89447

[**] Term: **14 Years**

[21] Appl. No.: **11,904**

[22] Filed: **Aug. 18, 1993**

[52] U.S. Cl. **D12/162**

[58] Field of Search **D12/162; 280/414.1,**
280/414.2, 476.1

5,031,926 7/1991 Wannamaker 280/476.1
5,071,151 12/1991 Irwin 280/476.1
5,108,121 4/1992 Collis 280/414.1

Primary Examiner—Wallace R. Burke
Assistant Examiner—M. Brown
Attorney, Agent, or Firm—Terry M. Gernstein

[57] CLAIM

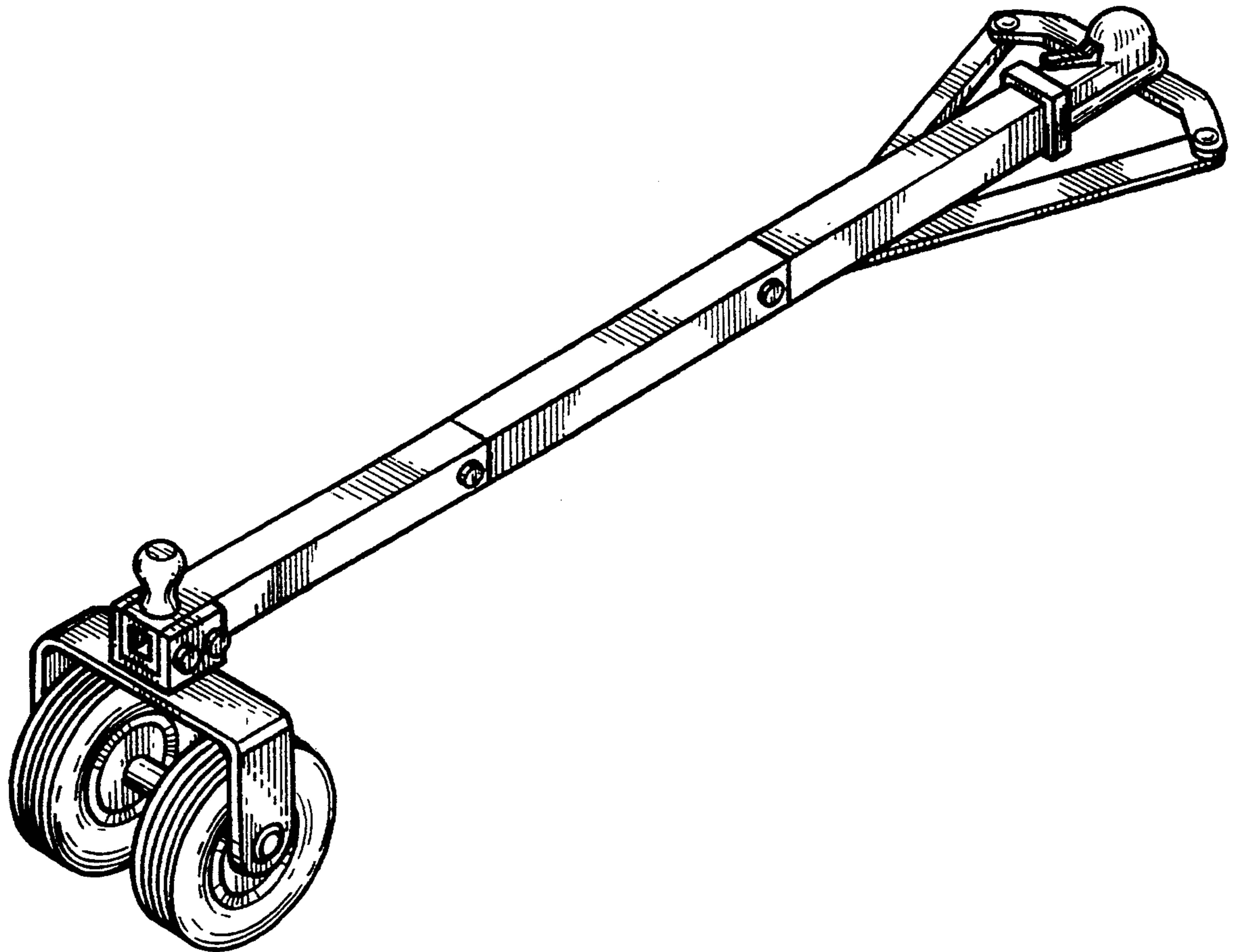
The ornamental design for an extendable trailer hitch, as shown.

DESCRIPTION

FIG. 1 is a front, top and side perspective view of the extendable trailer hitch showing our new design; FIG. 2 is a front elevational view thereof; FIG. 3 is a rear elevational view thereof; FIG. 4 is a side elevational view thereof; FIG. 5 is an opposite side elevational view thereof; FIG. 6 is a top plan view thereof; and, FIG. 7 is a bottom plan view thereof.

[56] **References Cited**
U.S. PATENT DOCUMENTS

3,011,800 12/1961 Mitsuyasu D12/162
4,793,625 12/1988 Gerber 280/414.1
4,900,051 2/1990 Godbersen 280/414.1
5,002,299 3/1991 Firehammer 280/414.1



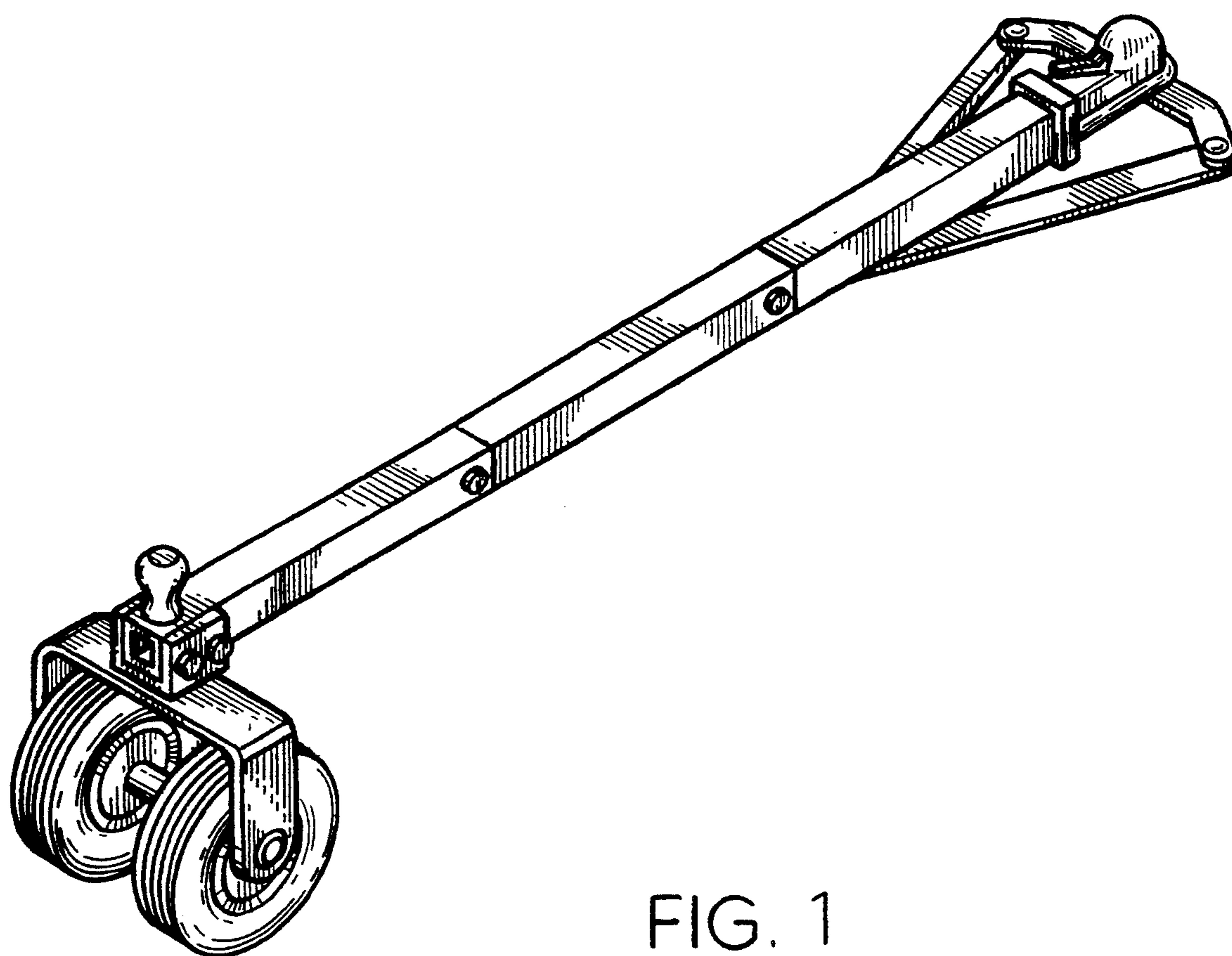


FIG. 1

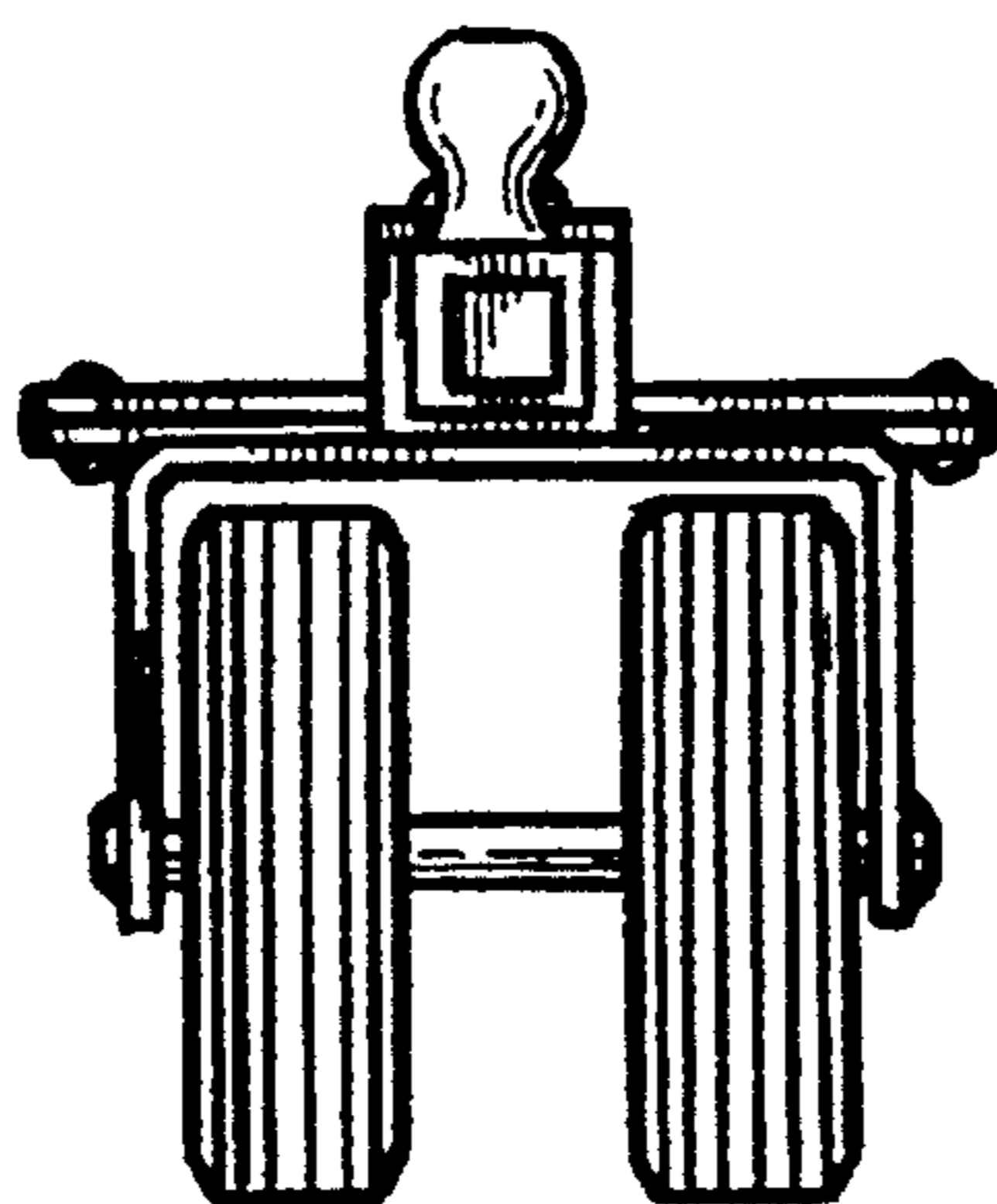


FIG. 2

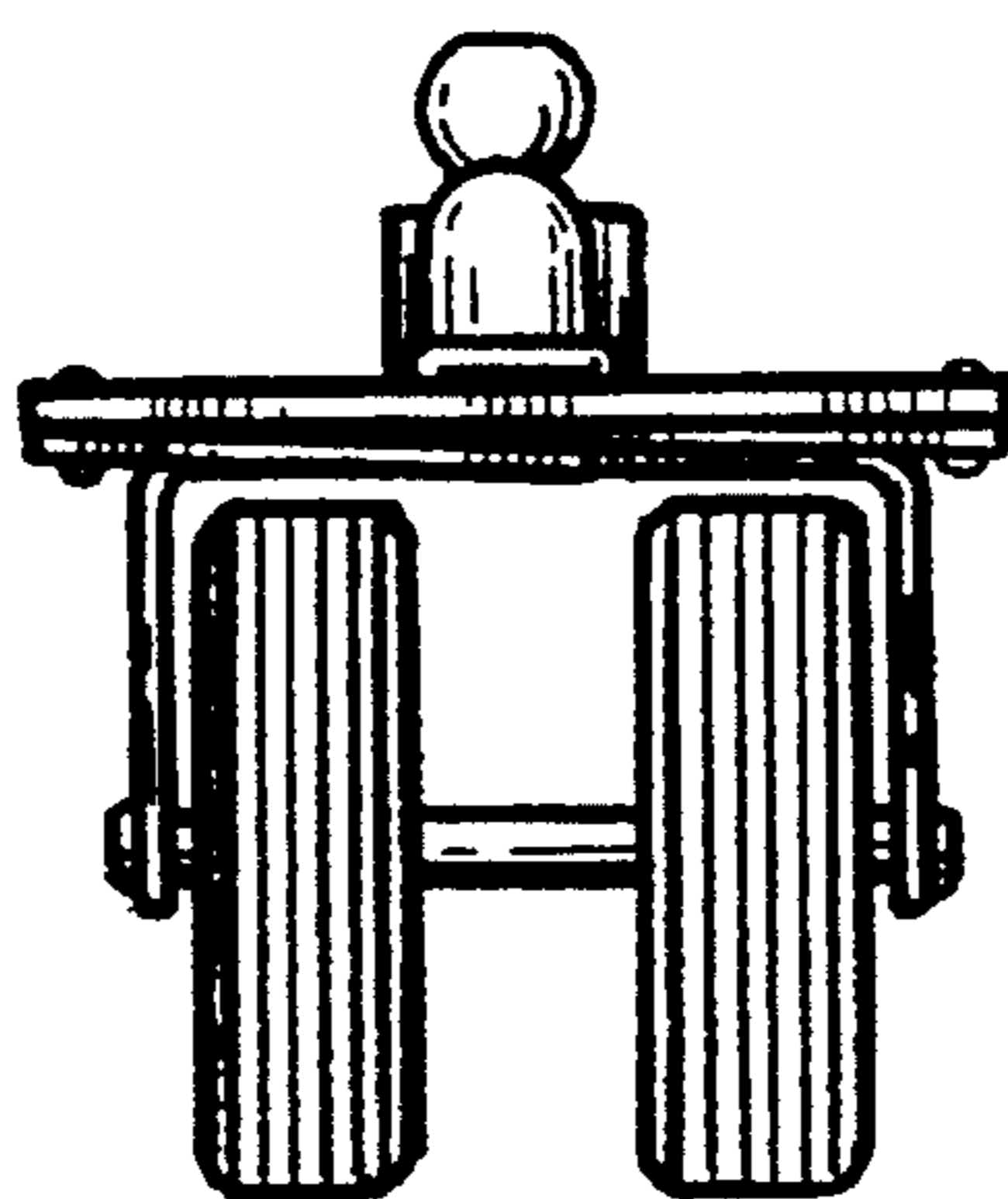


FIG. 3

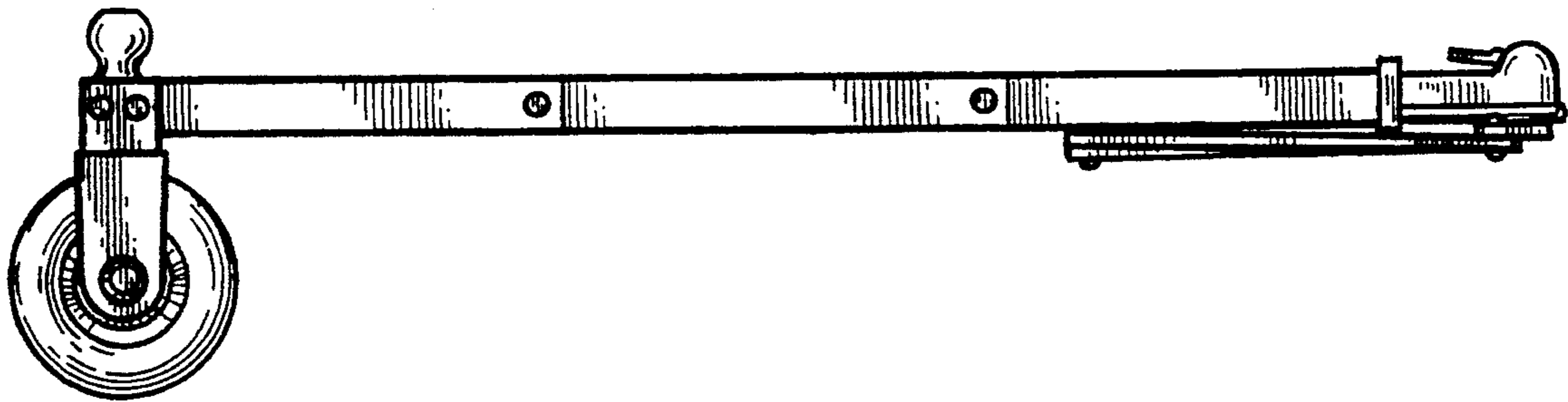


FIG. 4

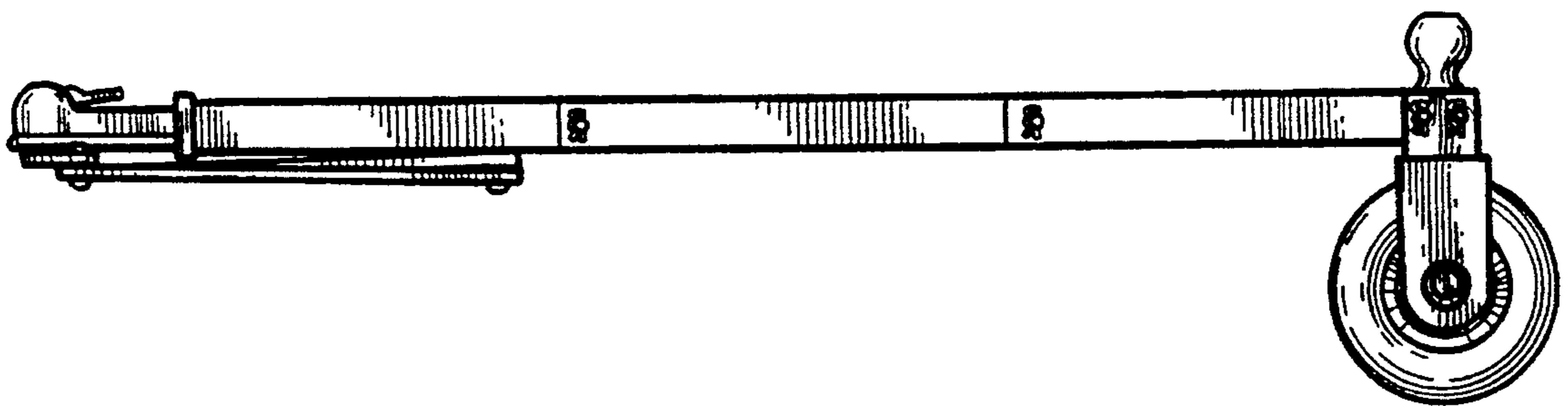


FIG. 5

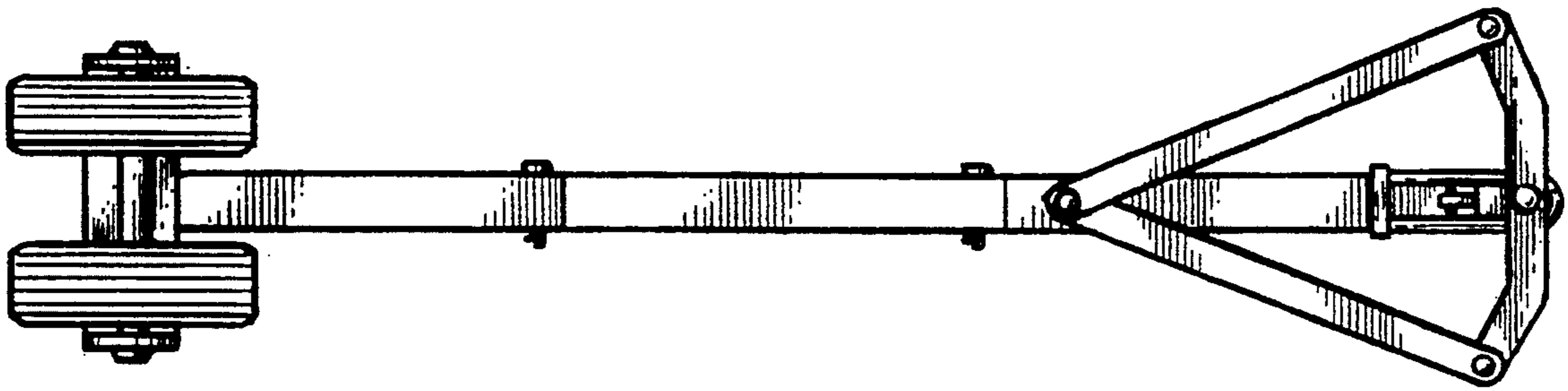


FIG. 6

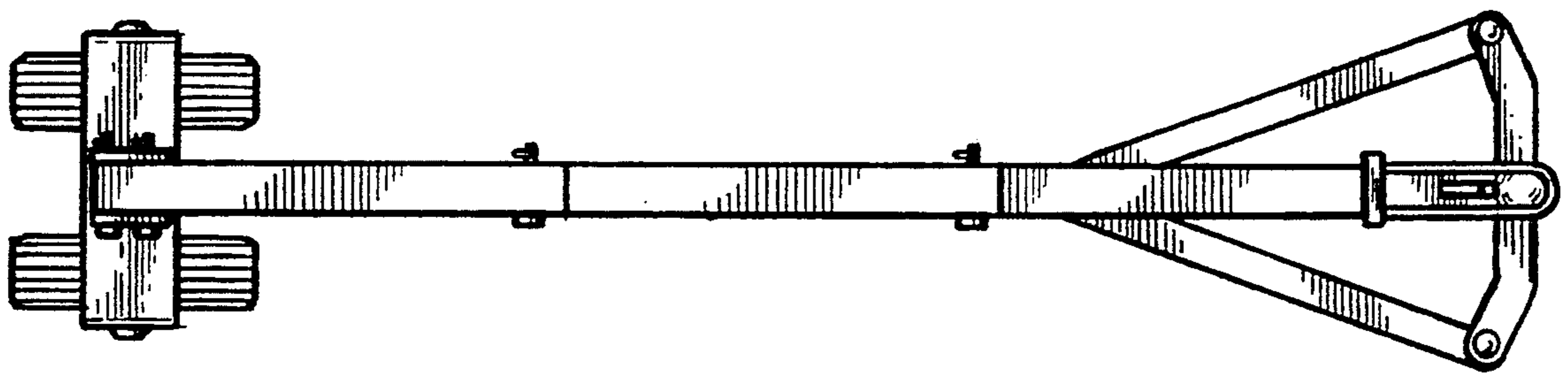


FIG. 7