



US00D354257S

United States Patent [19]

[11] Patent Number: **Des. 354,257**

Rekuc

[45] Date of Patent: *** Jan. 10, 1995**

- [54] **BUCKLE**
- [75] Inventor: **Richard J. Rekuc**, Pattenburg, N.J.
- [73] Assignee: **Sudhaus of America**, Phillipsburg, N.J.
- [*] Notice: The portion of the term of this patent subsequent to Dec. 20, 2008 has been disclaimed.
- [**] Term: **14 Years**
- [21] Appl. No.: **14,314**
- [22] Filed: **Oct. 15, 1993**
- [52] U.S. Cl. **D11/216**
- [58] Field of Search **D11/200, 215-216, D11/218, 231; 24/574, 633, 573, 631, 641, 616, 170, 365, 200, 196, 74; 297/467**
- [56] **References Cited**
U.S. PATENT DOCUMENTS
D. 303,233 9/1989 Jang D11/216

- D. 312,430 11/1990 Crowle D11/216
- D. 340,886 11/1993 Anscher D11/200

Primary Examiner—Ralf T. Seifert
Attorney, Agent, or Firm—Herbert Dubno; Ronald Lianides

[57] CLAIM

The ornamental design for a buckle, as shown and described.

DESCRIPTION

FIG. 1 is a front elevational view in the closed position of a buckle showing my new design;
FIG. 2 is a rear elevational view thereof;
FIG. 3 is a top plan view thereof, the bottom being a mirror image;
FIG. 4 is a left side elevational view thereof;
FIG. 5 is a right side elevational view thereof;
FIG. 6 is an upper front and right side exploded perspective view thereof; and,
FIG. 7 is a lower rear and left side exploded perspective view thereof.

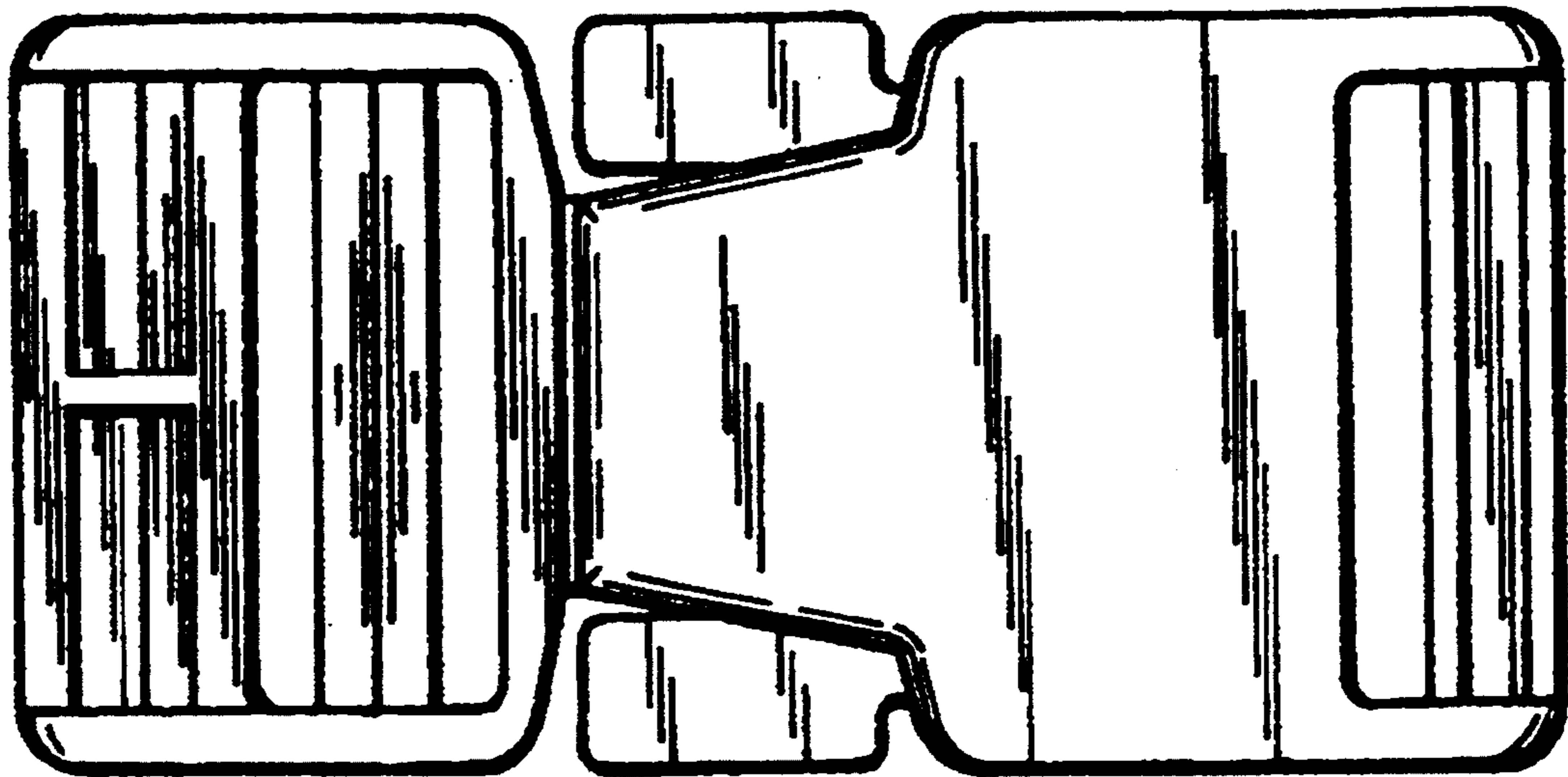




FIG. 3



FIG. 4

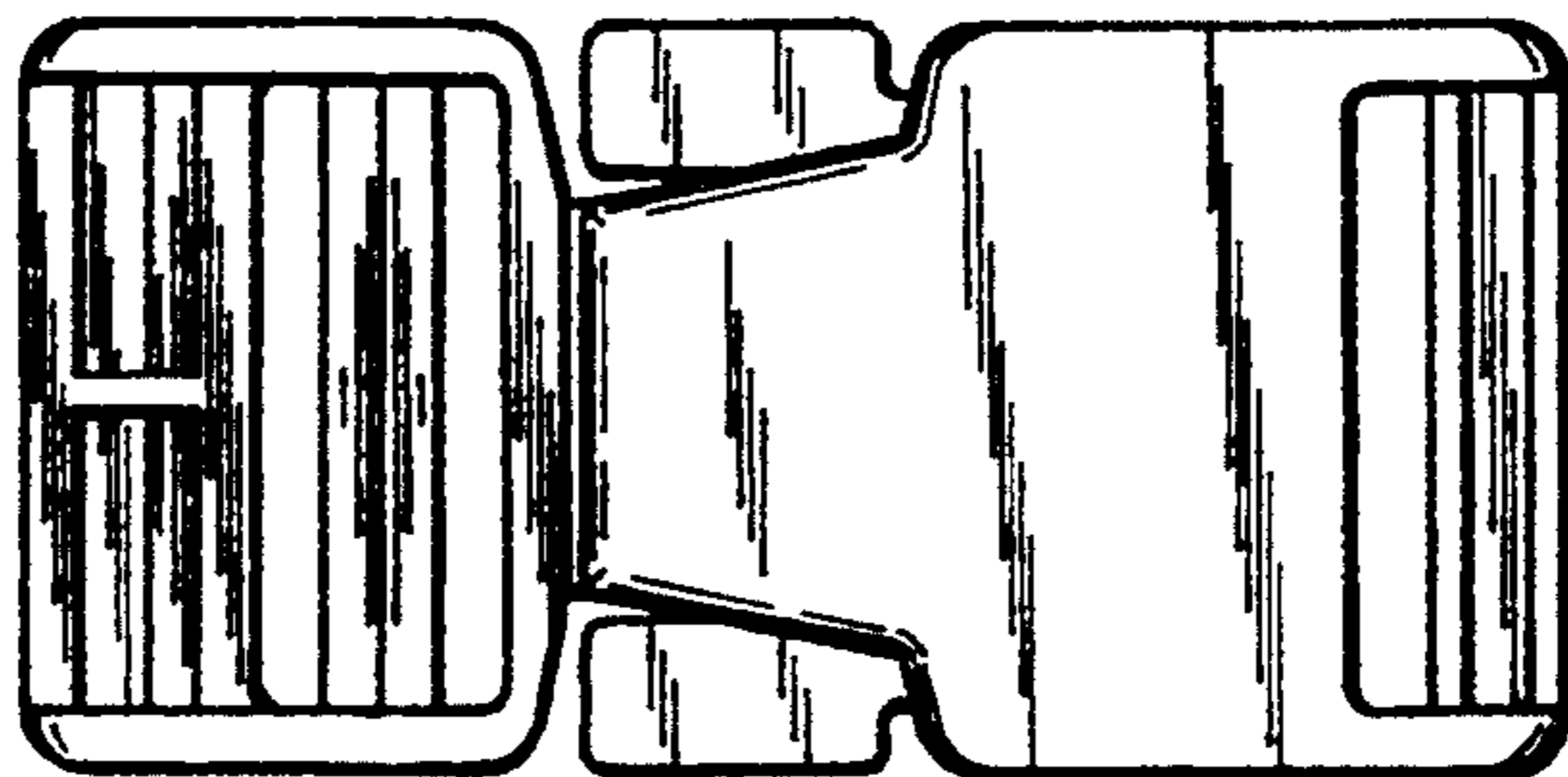


FIG. 1



FIG. 5

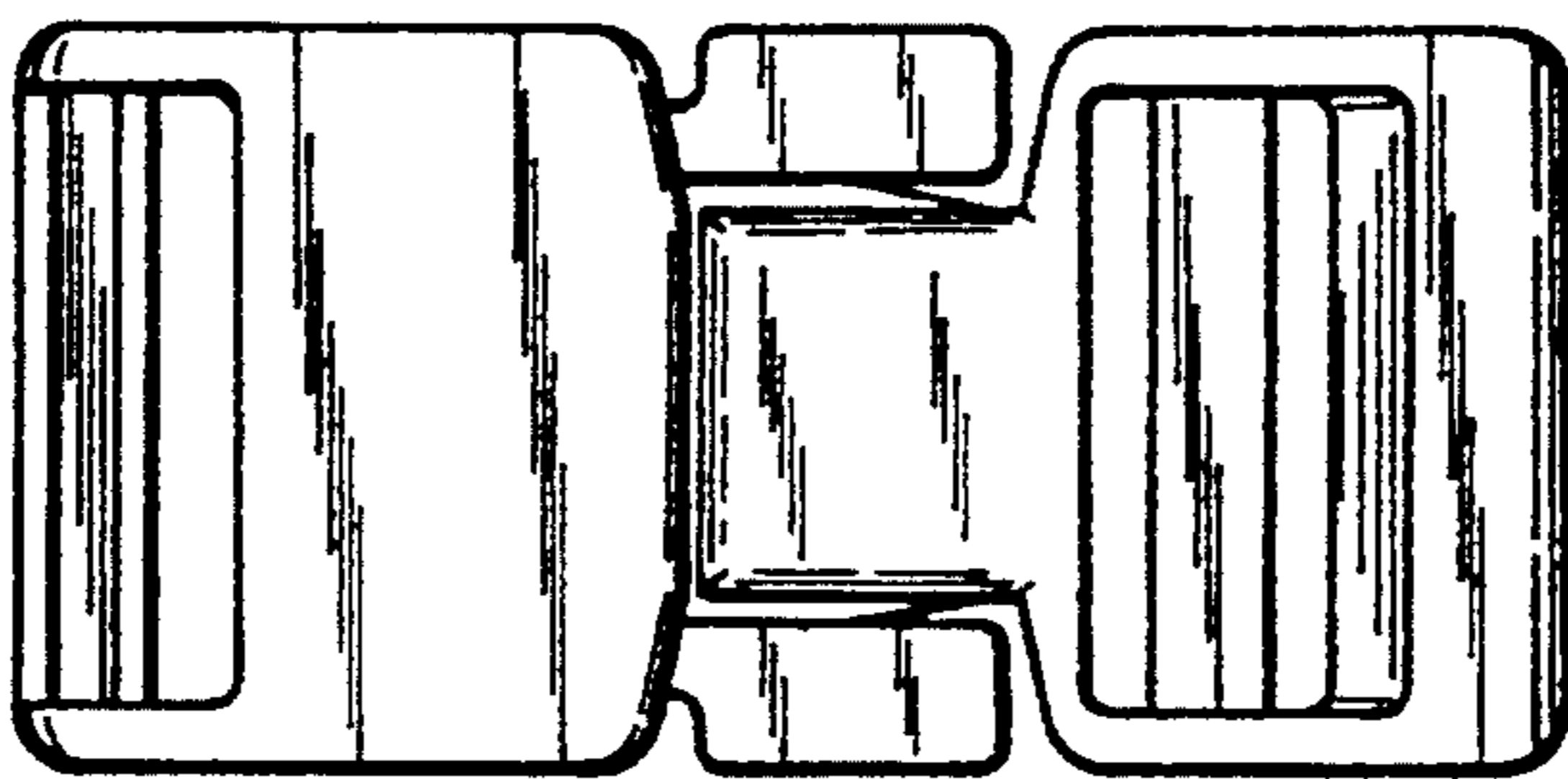


FIG. 2

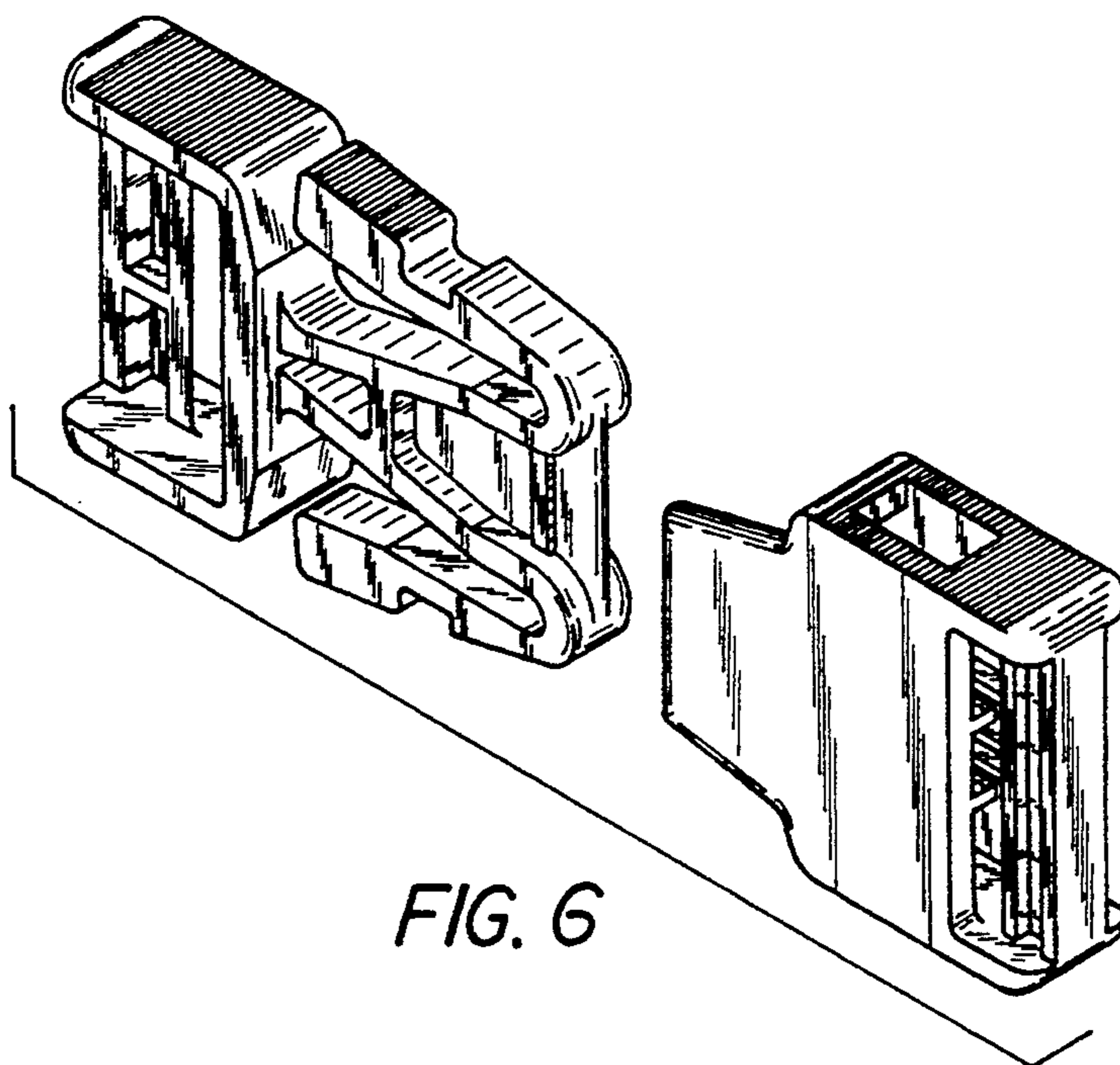


FIG. 6

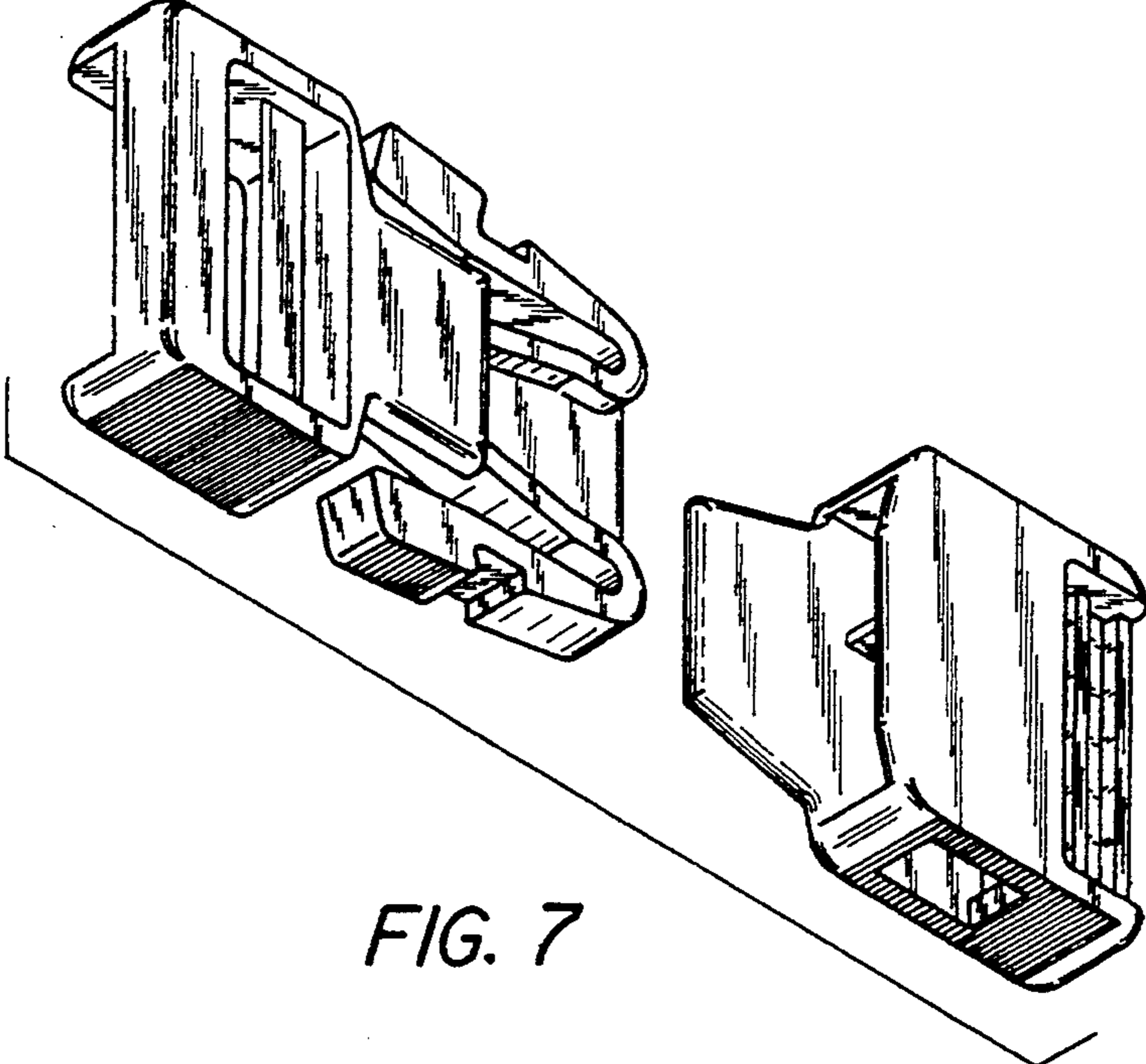


FIG. 7