



US00D354251S

United States Patent [19]

[11] Patent Number: **Des. 354,251**

Fisher

[45] Date of Patent: **** Jan. 10, 1995**

[54] BANNER PIN

47,145 3/1915 Price D11/81
4,875,431 10/1989 Dobosz 116/173

[76] Inventor: **A. LaMont Fisher, 1509 Clearview Dr., Mesquite, Tex. 75181**

Primary Examiner—Ralf T. Seifert
Attorney, Agent, or Firm—Hugh E. Smith

[**] Term: **14 Years**

[57] CLAIM

[21] Appl. No.: **8,767**

The ornamental design for a banner pin, as shown and described.

[22] Filed: **May 26, 1993**

[52] U.S. Cl. **D11/44**

[58] Field of Search D11/1-3,
D11/40-78, 79-99, 116; 116/173

DESCRIPTION

[56] **References Cited**

U.S. PATENT DOCUMENTS

D. 136,893 12/1943 Lynch D11/101
D. 181,663 12/1957 Morton D11/99
26,624 2/1897 Powell D11/116

FIG. 1 is a front elevational view of the banner pin showing my new design;
FIG. 2 is a rear elevational view thereof;
FIG. 3 is a left side elevational view thereof;
FIG. 4 is a right side elevational view thereof;
FIG. 5 is a top plan view thereof; and,
FIG. 6 is a bottom plan view thereof.

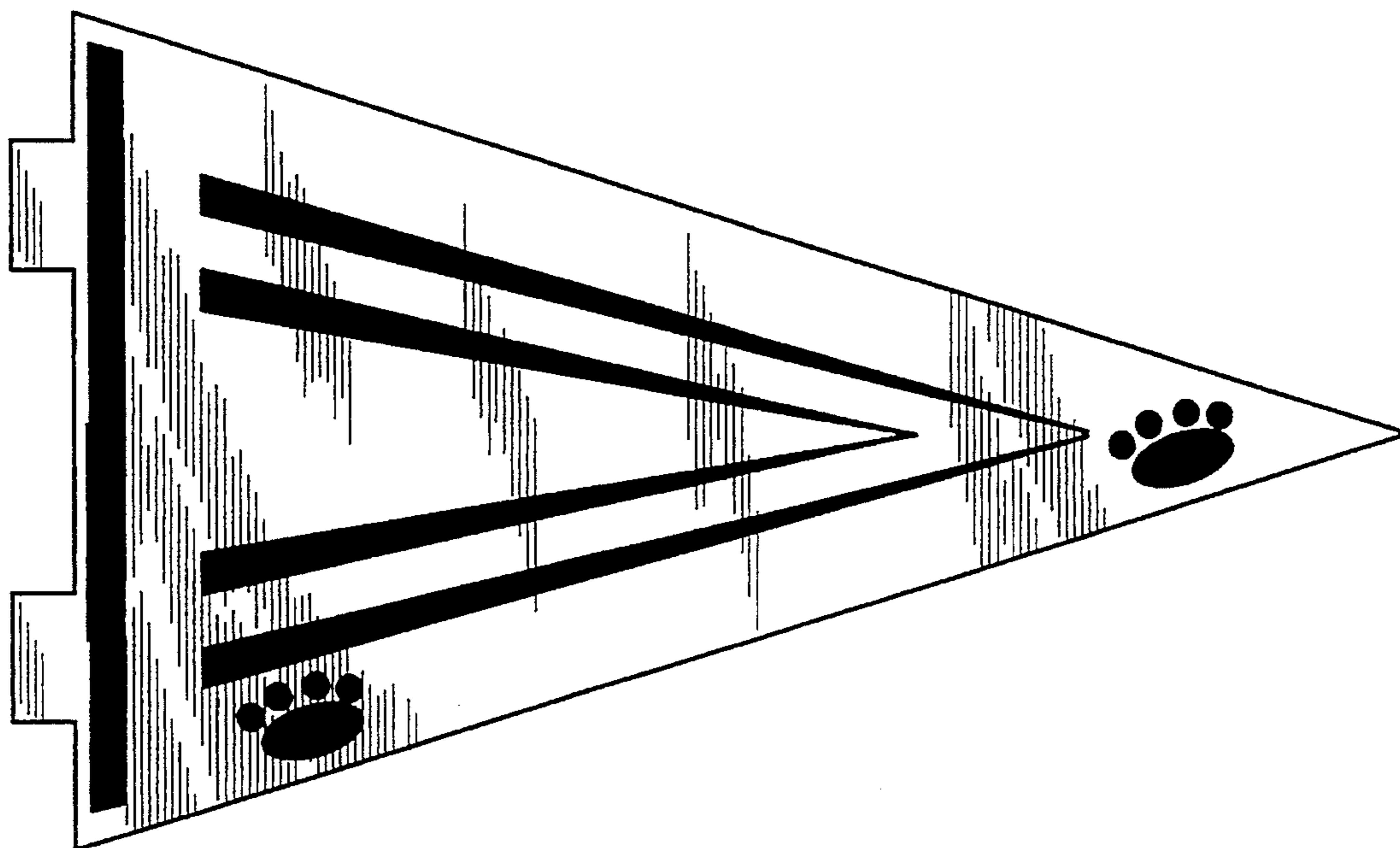


FIG. 1

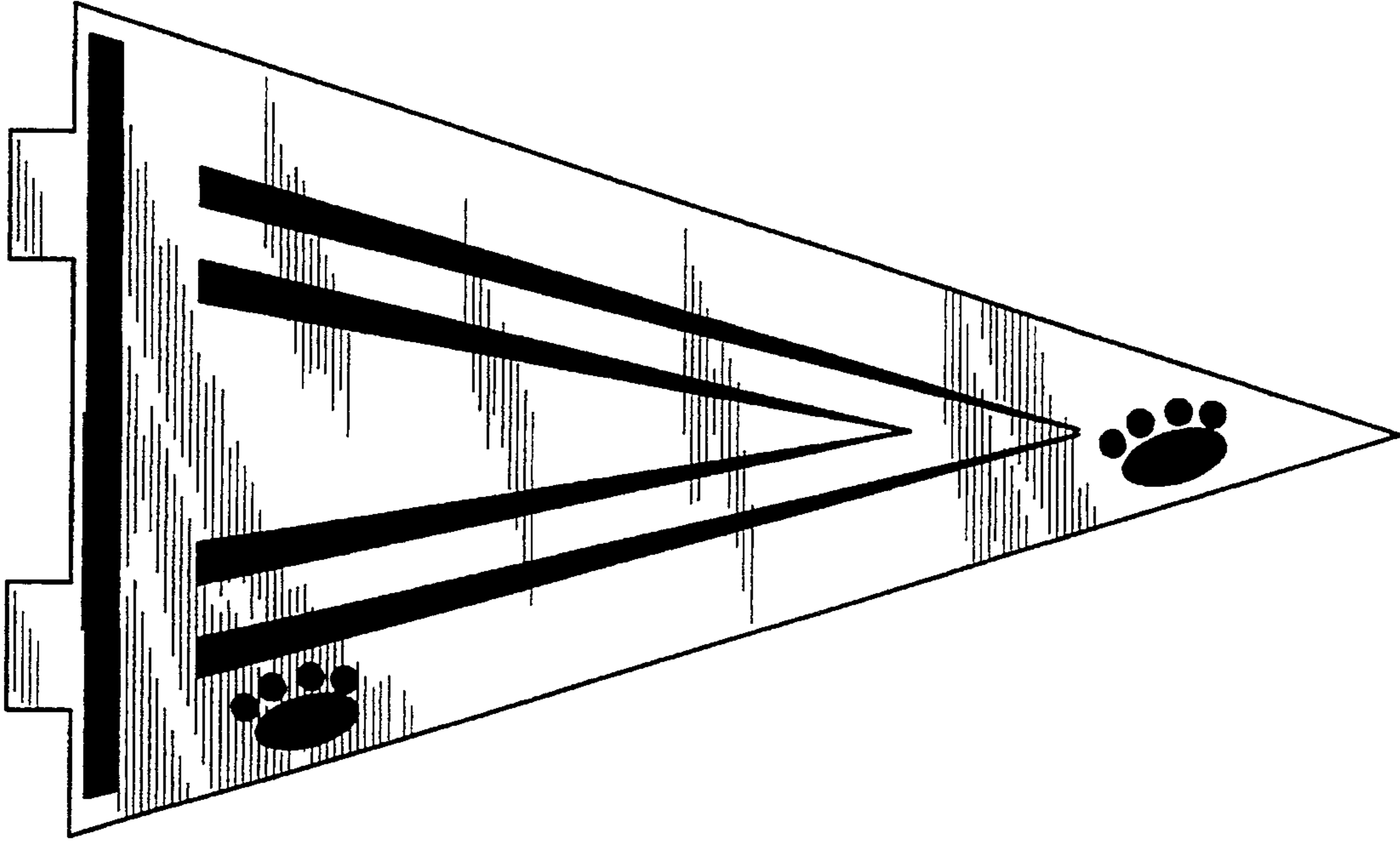


FIG. 2

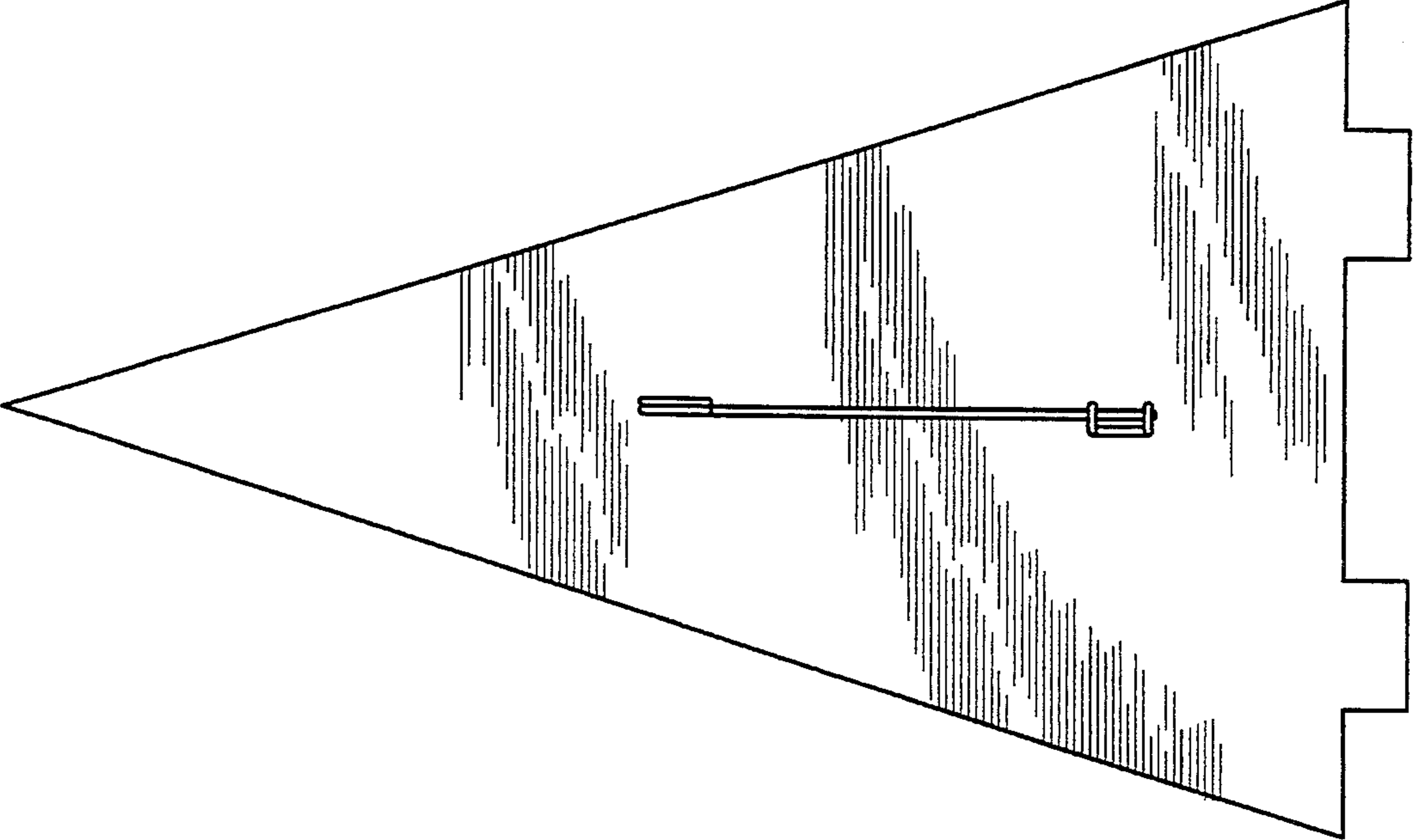


FIG. 3



FIG. 4

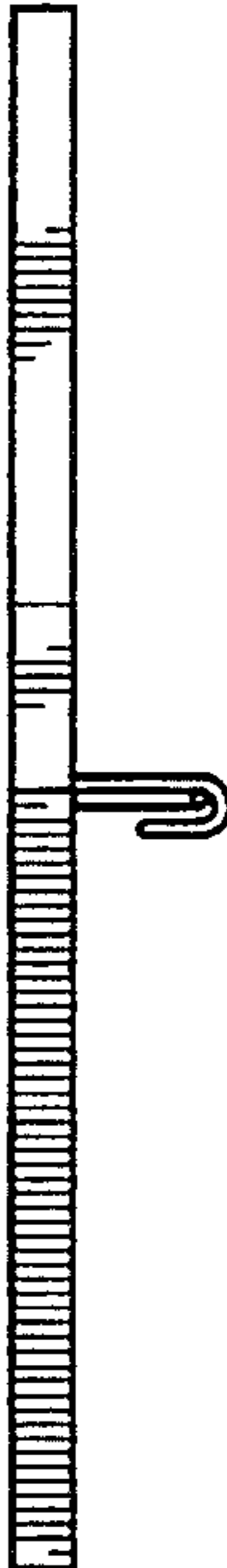


FIG. 5

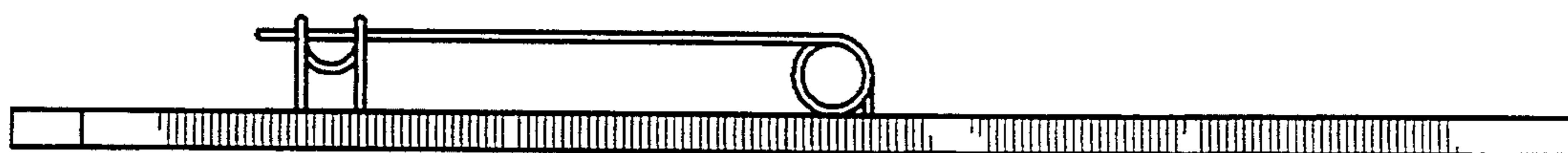


FIG. 6

