



US00D354245S

# United States Patent [19]

[11] Patent Number: **Des. 354,245**

Waltho

[45] Date of Patent: **\*\* Jan. 10, 1995**

[54] **LETTER WEIGHING DEVICE**

3,224,516 12/1965 Stelzer ..... 177/172  
4,961,472 10/1990 Pratt ..... 177/216

[76] Inventor: **Barry S. Waltho**, 14 Primrose Cottages, Bowdon Vale Altrincham, Cheshire WA14 3EL, United Kingdom

**FOREIGN PATENT DOCUMENTS**

479802 7/1929 Germany .  
560626 10/1932 Germany .  
411206 6/1934 United Kingdom .

[\*\*] Term: **14 Years**

*Primary Examiner*—Alan P. Douglas  
*Assistant Examiner*—Antoine D. Davis  
*Attorney, Agent, or Firm*—Pravel, Hewitt, Kimball & Krieger

[21] Appl. No.: **7,371**

[22] Filed: **Apr. 20, 1993**

[30] **Foreign Application Priority Data**

Feb. 11, 1993 [GB] United Kingdom ..... 2029037

[52] U.S. Cl. .... **D10/90**

[58] Field of Search ..... D10/87, 89, 90;  
177/171, 172, 25.15, 238

[57] **CLAIM**

The ornamental design for a letter weighing device, as shown and described.

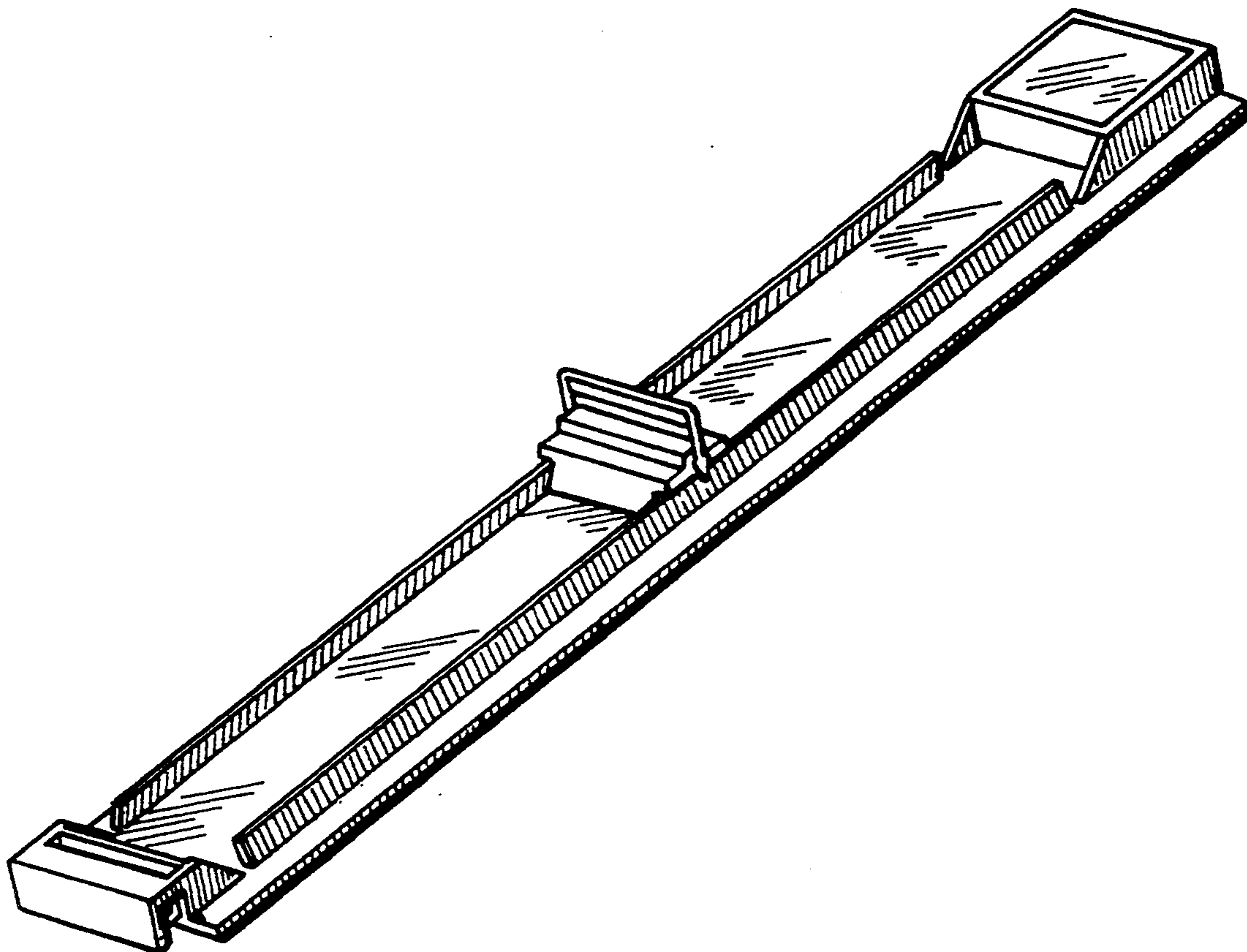
**DESCRIPTION**

[56] **References Cited**

**U.S. PATENT DOCUMENTS**

D. 23,335 6/1894 Withrow ..... D10/90 X  
D. 233,658 11/1974 Schroeder ..... D10/90  
D. 250,935 1/1979 Lokuig ..... D10/87  
1,201,063 10/1916 Litchfield .  
2,204,595 6/1940 Hotson ..... 265/34  
2,507,073 5/1950 White ..... 265/49  
2,612,365 9/1952 Nielson ..... 265/61

FIG. 1 is a side perspective view looking from above and one end;  
FIG. 2 is an enlarged exploded fragmentary view looking from above;  
FIG. 3 is a perspective view looking from above showing other side and other end;  
FIG. 4 is underneath perspective view; and,  
FIG. 5 is an end view looking in the direction of arrow-A.



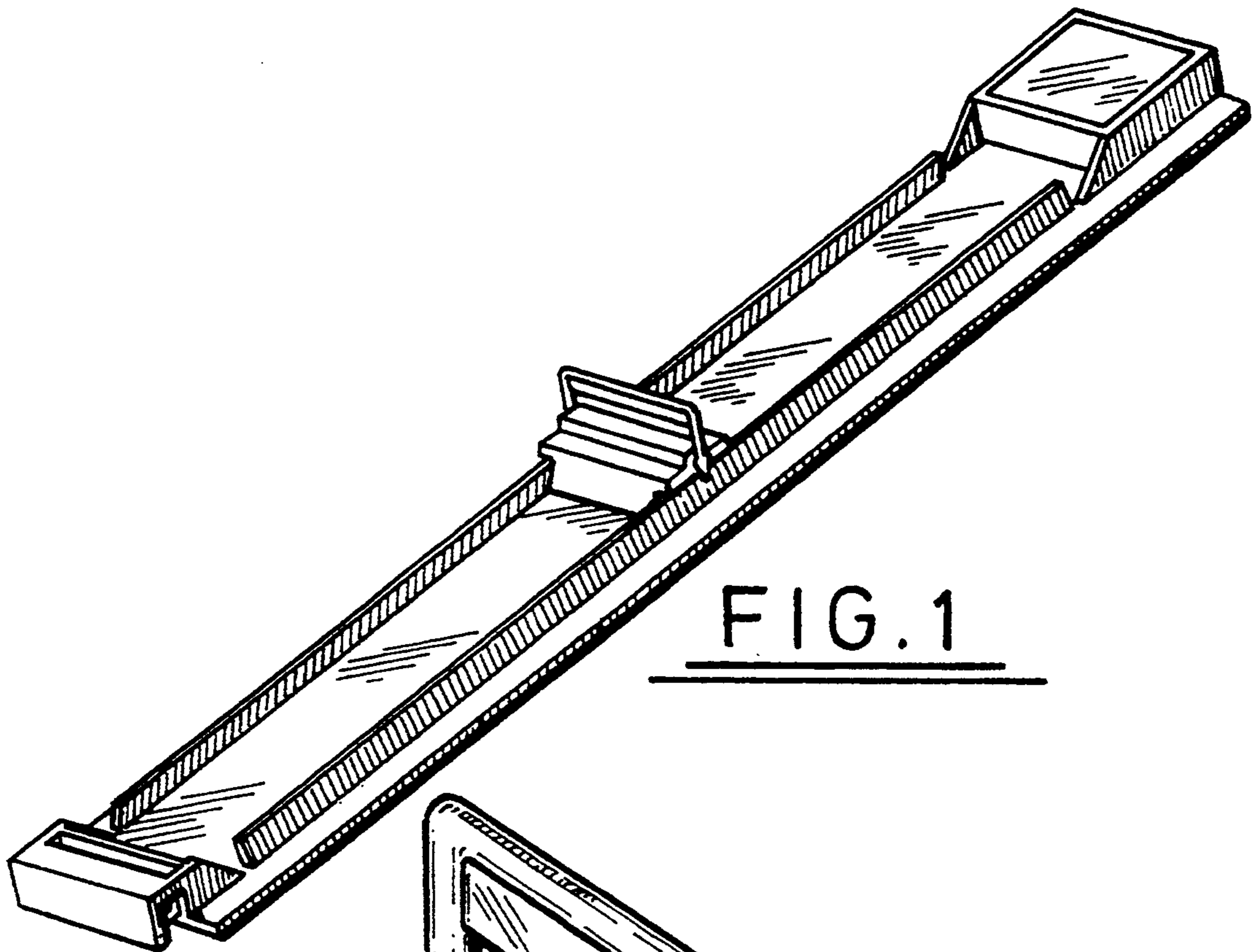


FIG. 1

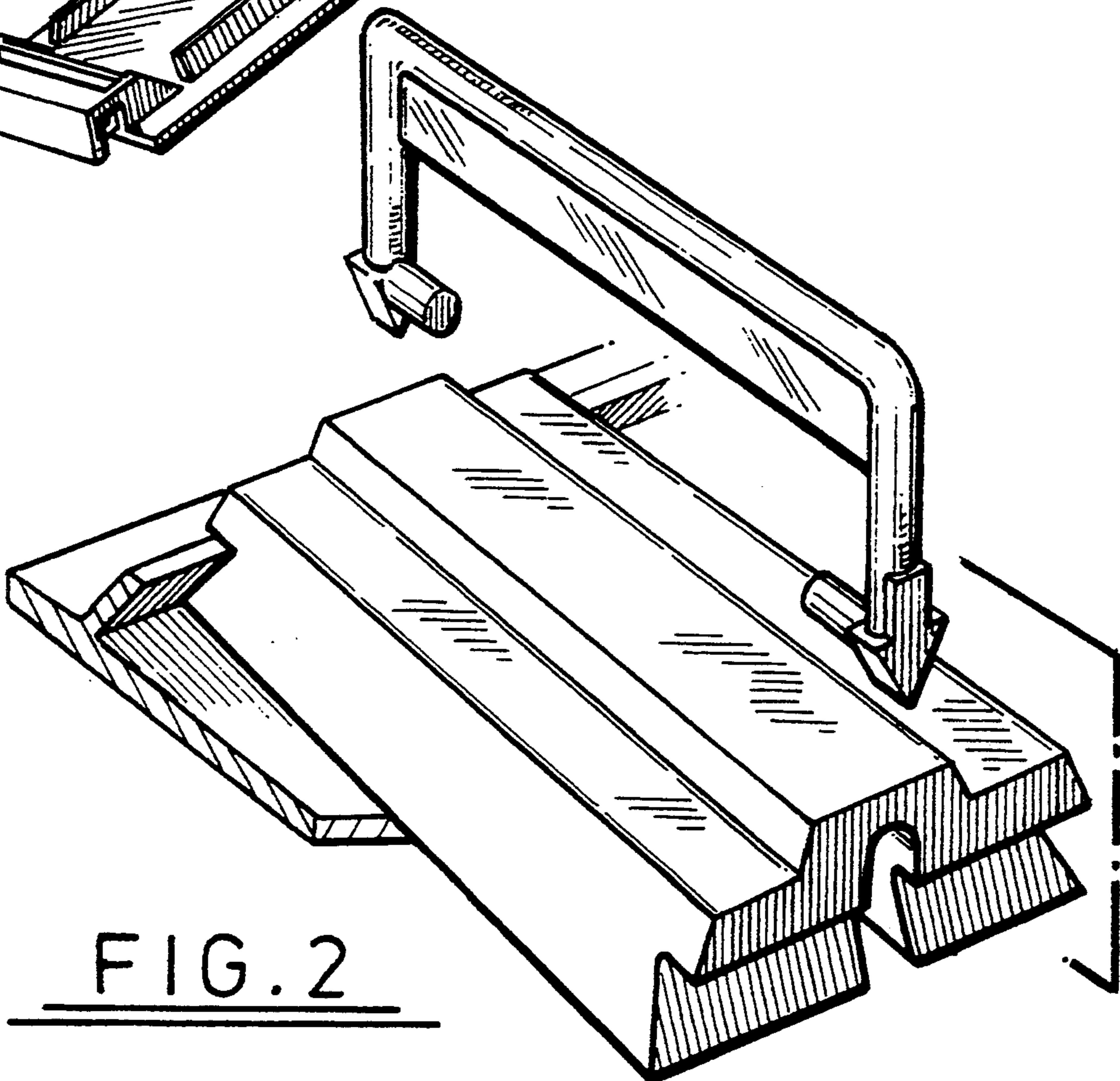


FIG. 2

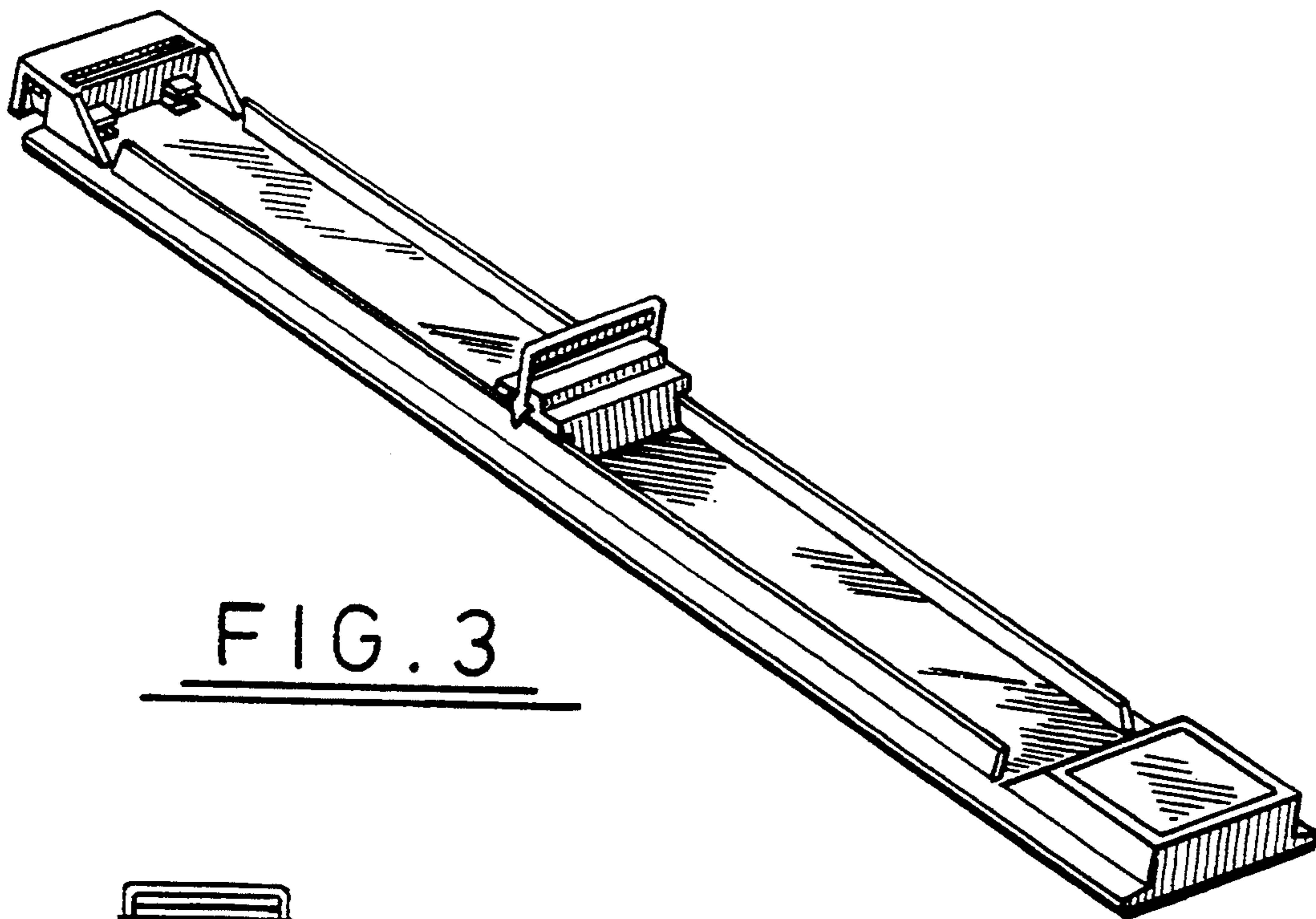


FIG. 3



FIG. 5

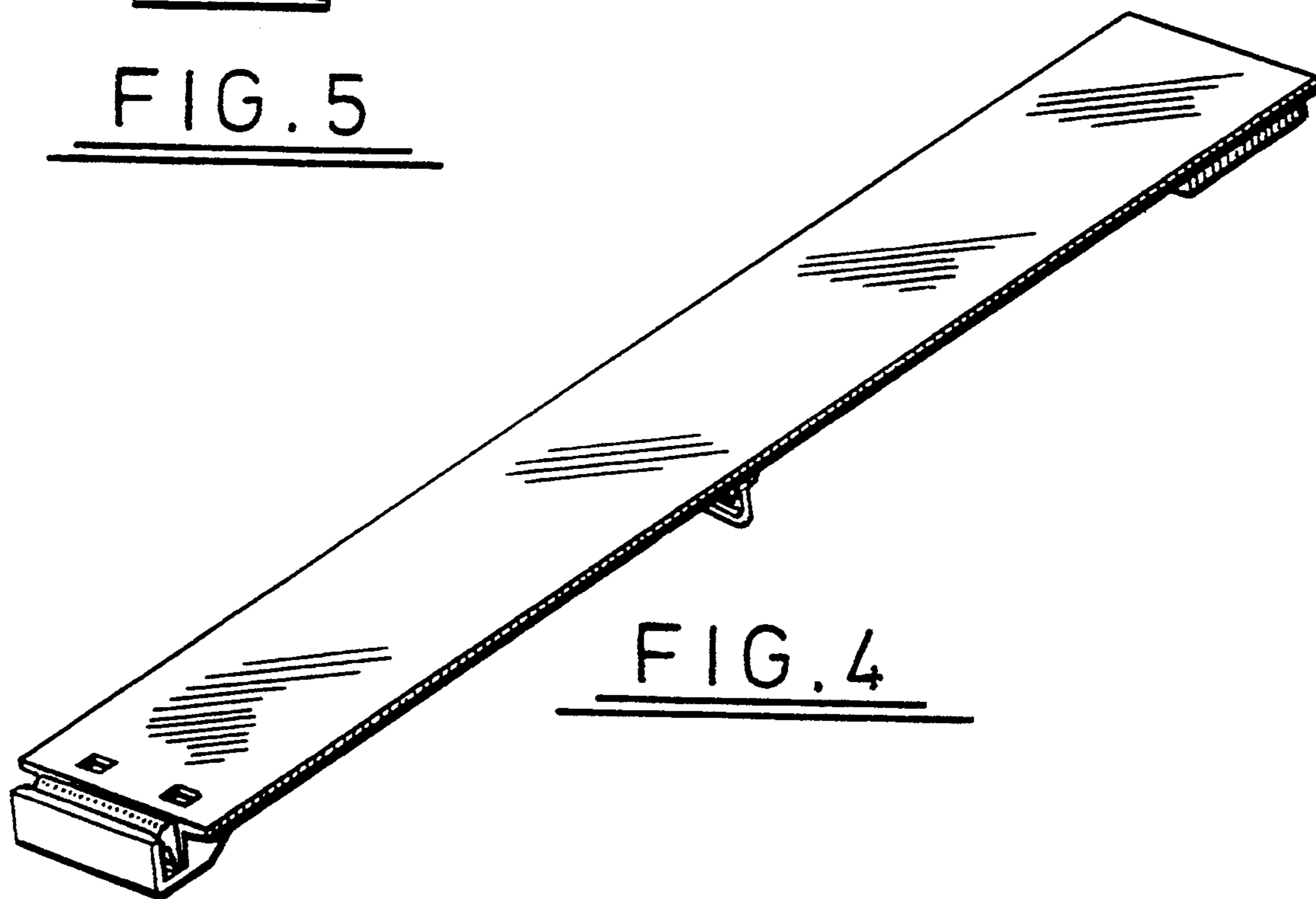


FIG. 4