



US00D354222S

United States Patent [19]

[11] Patent Number: **Des. 354,222**

Nilsson et al.

[45] Date of Patent: **** Jan. 10, 1995**

[54] **CAP FOR SEALING OFF AN OPEN END OF A CARTRIDGE**

[76] Inventors: **Hugo Nilsson**, Gunstorp, Tutaryd, S-341 96 Ljungby; **Karl-Eric Johnsson**, Aby, S-340 14 Lagan, both of Sweden

[**] Term: **14 Years**

[21] Appl. No.: **925,472**

[22] Filed: **Aug. 4, 1992**

[30] **Foreign Application Priority Data**

Feb. 14, 1992 [SE] Sweden 92-0321

[52] U.S. Cl. **D9/438; D9/449**

[58] Field of Search **D9/435, 436, 437, 438, D9/454; 215/228, 247, 251, 256; 220/278**

[56] **References Cited**

U.S. PATENT DOCUMENTS

D. 252,984	9/1979	Moeller	D9/443
D. 325,783	4/1992	Anderson	D9/447 X
3,815,802	6/1974	Stevens	D9/436 X
5,255,812	10/1993	Hsu	215/228 X

Primary Examiner—Alan P. Douglas
Assistant Examiner—Robert M. Spear
Attorney, Agent, or Firm—Dann, Dorfman, Herrell and Skillman

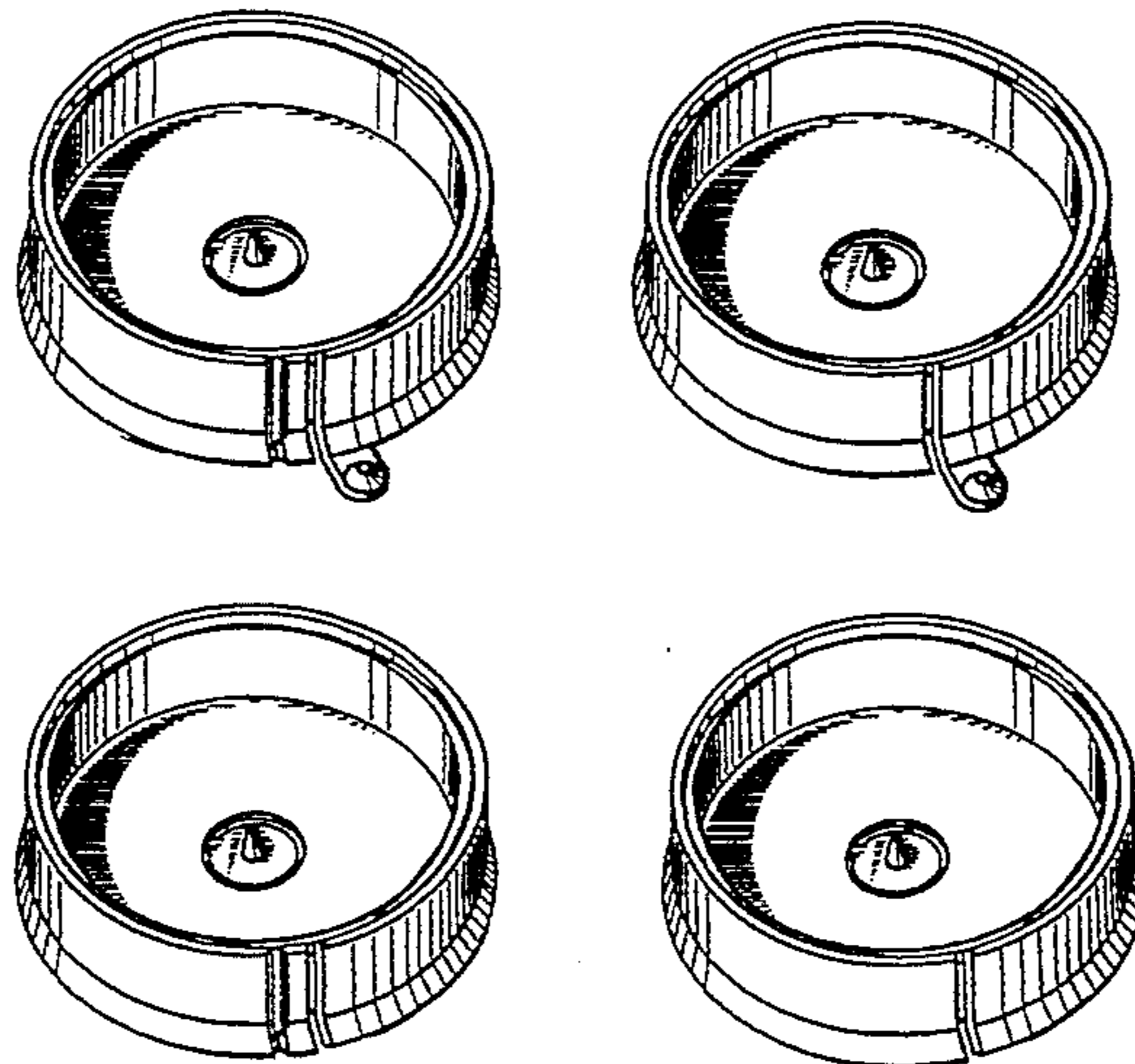
[57] **CLAIM**

The ornamental design for cap for sealing off an open end of a cartridge, as shown and described.

DESCRIPTION

FIG. 1 is a perspective view from one side and above of a first embodiment of a cap showing my new design; FIG. 2 is a perspective view from one side and above of a second embodiment of a cap showing my new design; FIG. 3 is a perspective view from one side and above of a third embodiment of a cap showing my new design; FIG. 4 is a perspective view from one side and above of a fourth embodiment of a cap showing my new design;

FIG. 5 is a perspective view from one side and above of a fifth embodiment of a cap showing my new design; FIG. 6 is a perspective view from one side and above of a sixth embodiment of a cap showing my new design; FIG. 7 is a perspective view from one side and above of a seventh embodiment of a cap showing my new design; FIG. 8 is a perspective view from one side and above of an eighth embodiment of a cap showing my new design; FIG. 9 is a top plan view of the cap shown in FIG. 3; FIG. 10 is a top plan view of the cap shown in FIG. 4; FIG. 11 is a top plan view of the cap shown in FIG. 5; FIG. 12 is a top plan view of the cap shown in FIG. 6; FIG. 13 is a top plan view of the cap shown in FIG. 7; FIG. 14 is a top plan view of the cap shown in FIG. 8; FIG. 15 is a top plan view of the cap shown in FIG. 2; FIG. 16 is a top plan view of the cap shown in FIG. 1; FIG. 17 is a side elevational view from below in FIGS. 10 and 14; FIG. 18 is a side elevational view from below in FIGS. 9 and 13; FIG. 19 is a side elevational view from below in FIGS. 12 and 15; FIG. 20 is a side elevational view from below in FIGS. 11 and 16; FIG. 21 is a side elevational view from above or right or left in FIGS. 9, 10, 13 and 14 or, from above in FIGS. 11, 12, 15 and 16; FIG. 22 is a left side elevational view of FIGS. 11, 12, 15 and 16, the right side elevational view being a mirror image thereof; FIG. 23 is a magnified diametrical cross-sectional view of the embodiments shown in FIGS. 1-4, for example taken on the lines 23-23 in FIG. 16; FIG. 24 is a magnified diametrical cross-sectional view of the embodiments shown in FIGS. 5-8, for example taken on the line 24-24 in FIG. 14; FIG. 25 is an underneath plan view of the embodiments shown in FIGS. 1 and 5; FIG. 26 is an underneath plan view of the embodiments shown in FIGS. 2 and 6; FIG. 27 is an underneath plan view of the embodiments shown in FIGS. 3 and 7; FIG. 28 is an underneath plan view of the embodiments shown in FIGS. 4 and 8.



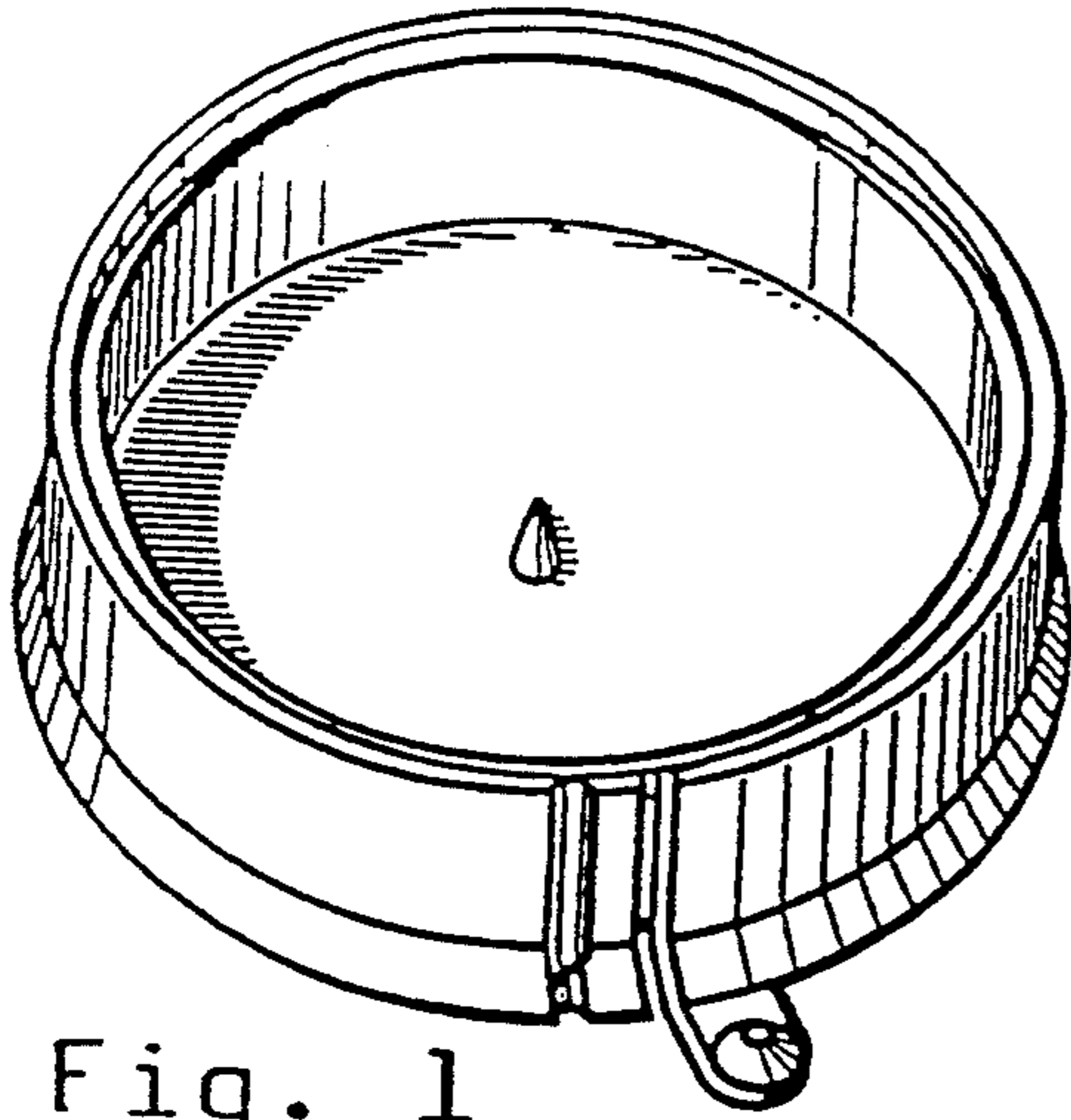


Fig. 1

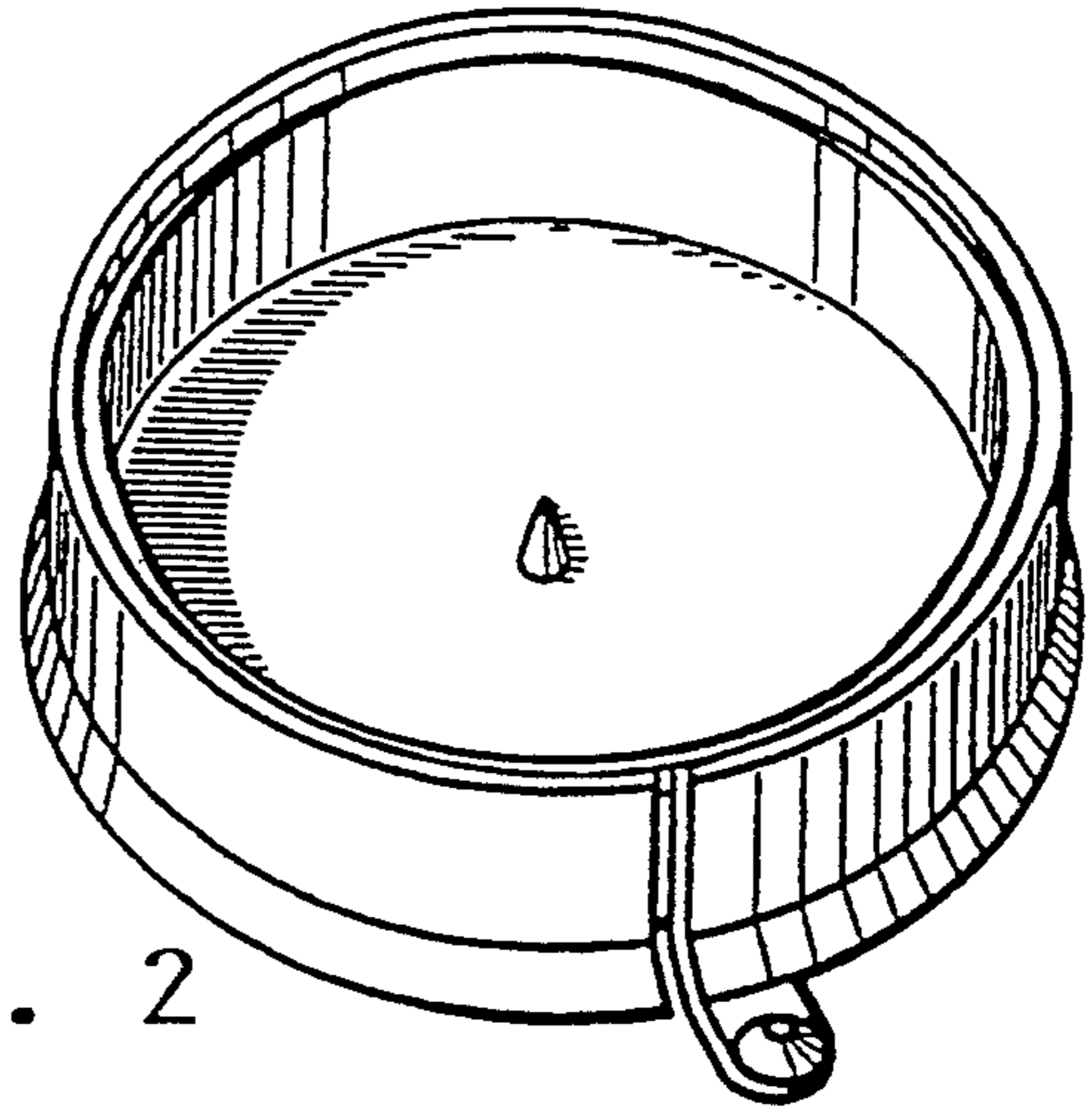


Fig. 2

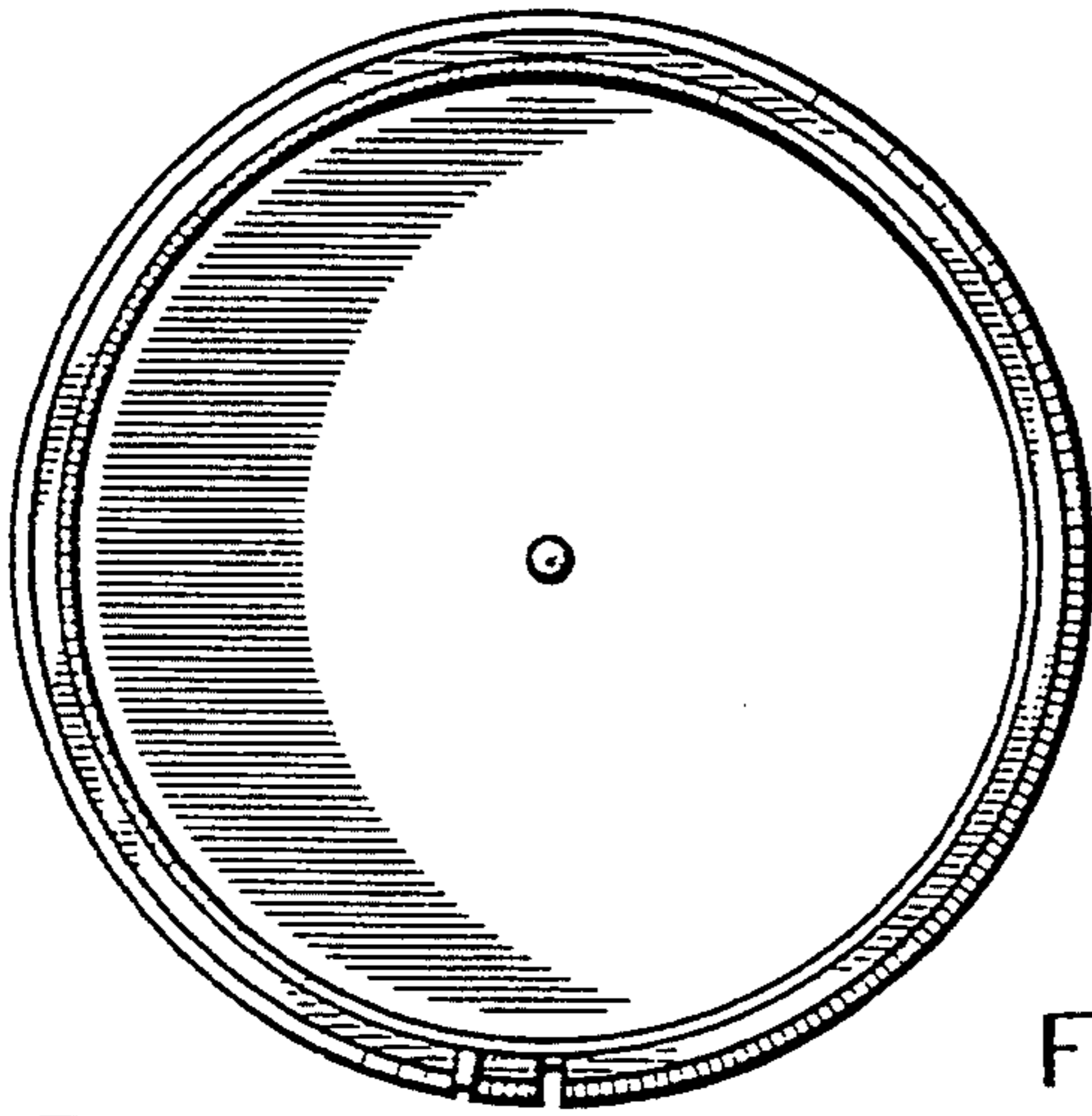


Fig. 9

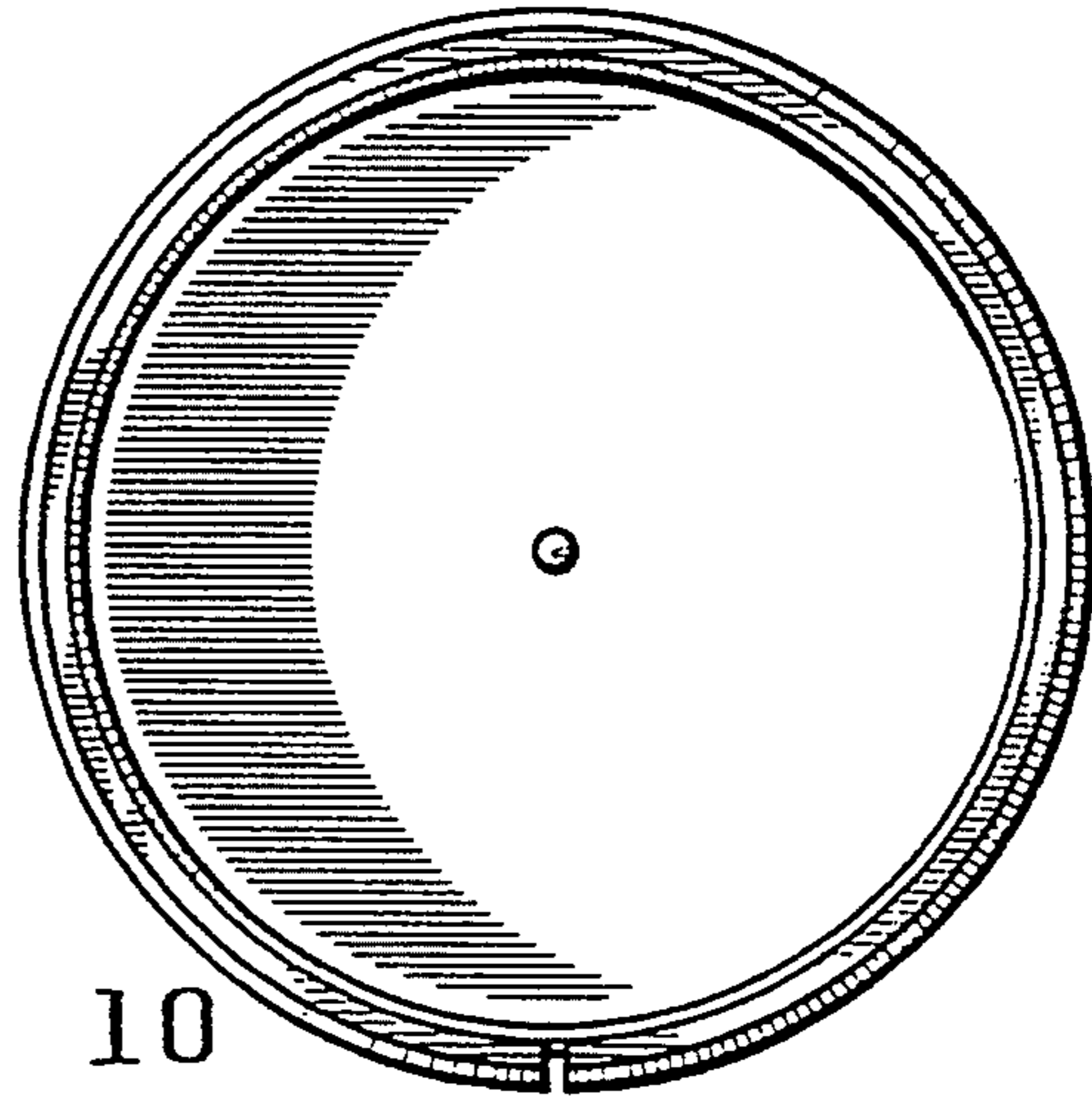


Fig. 10

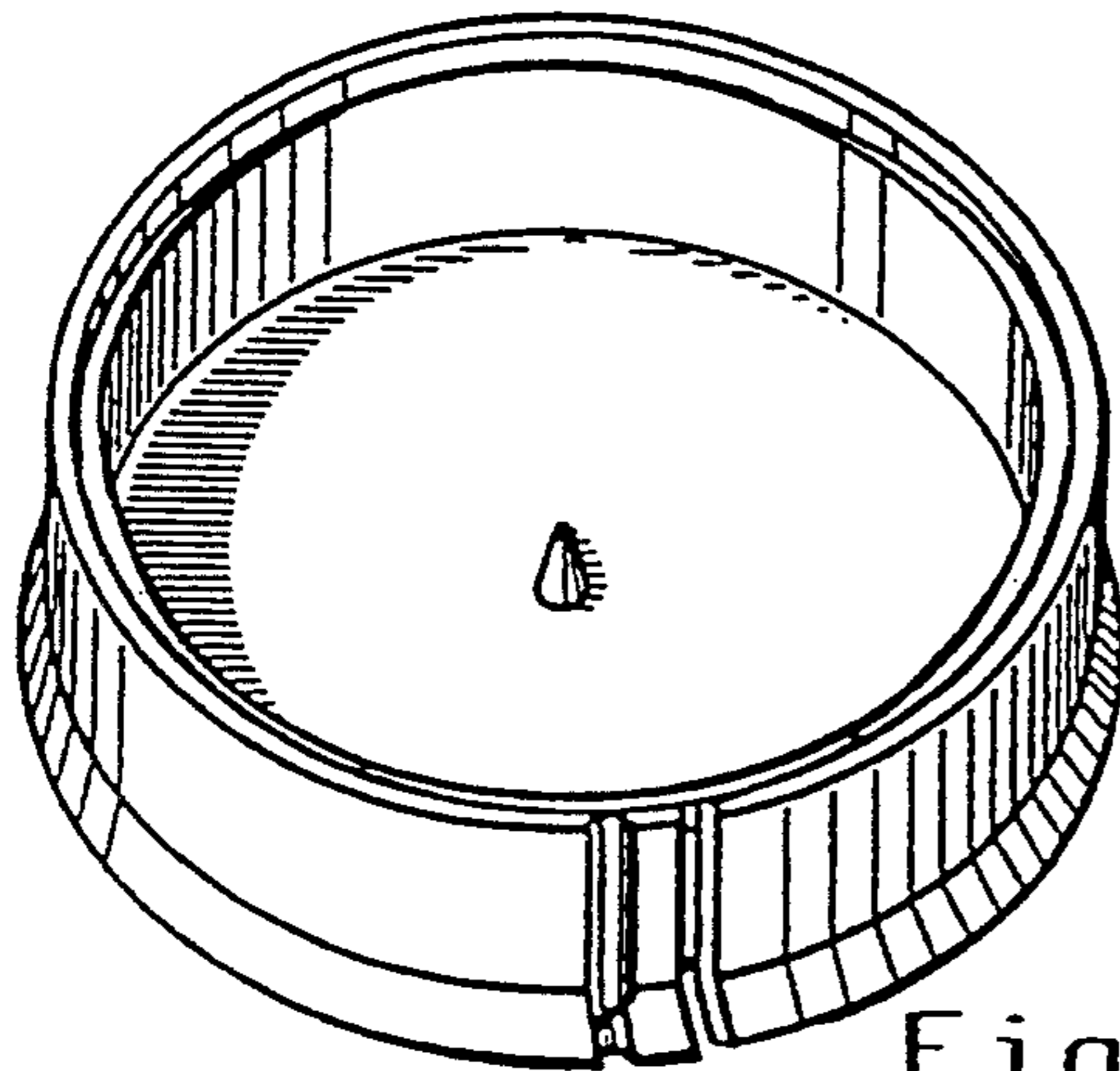
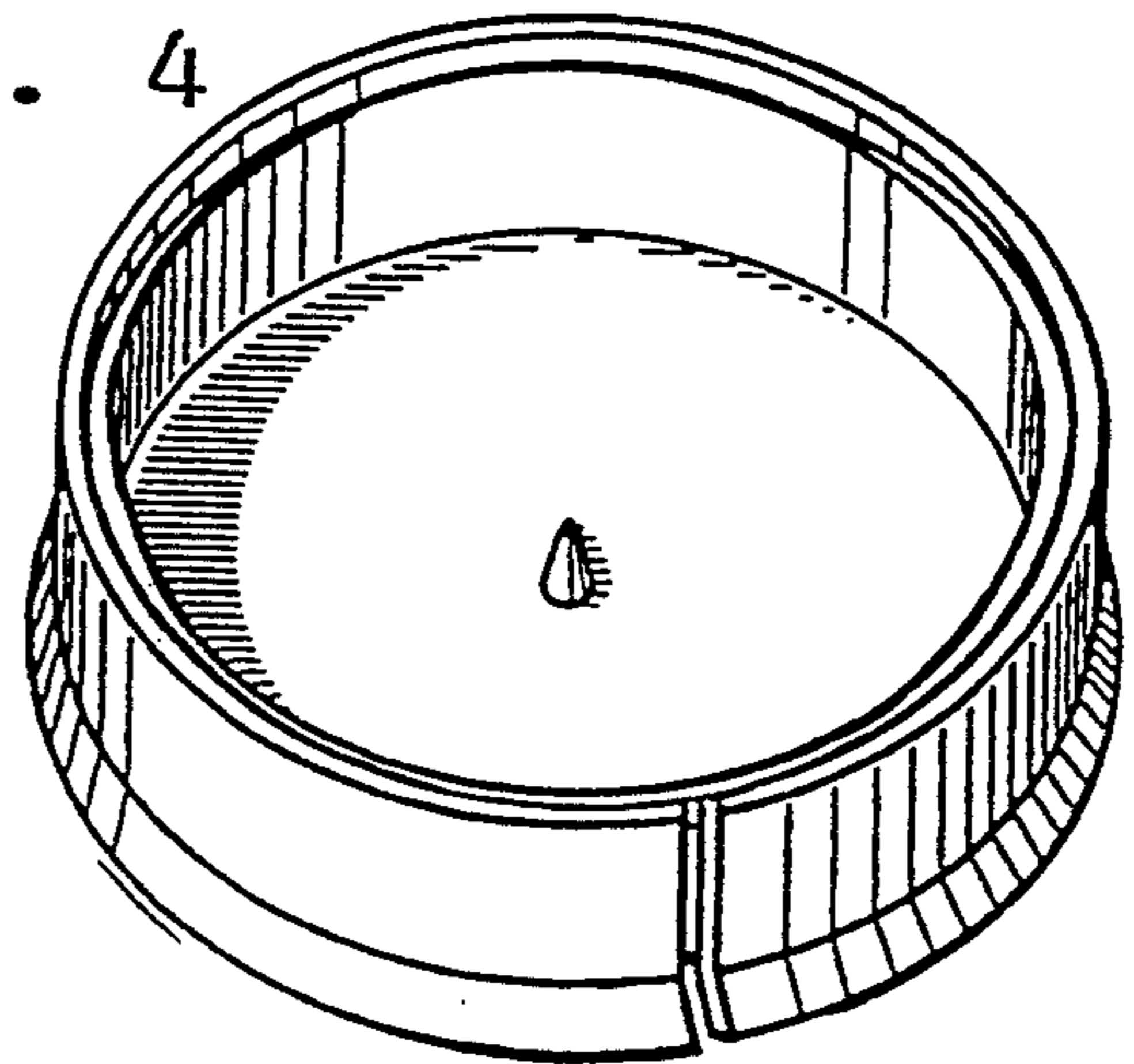


Fig. 3

Fig. 4



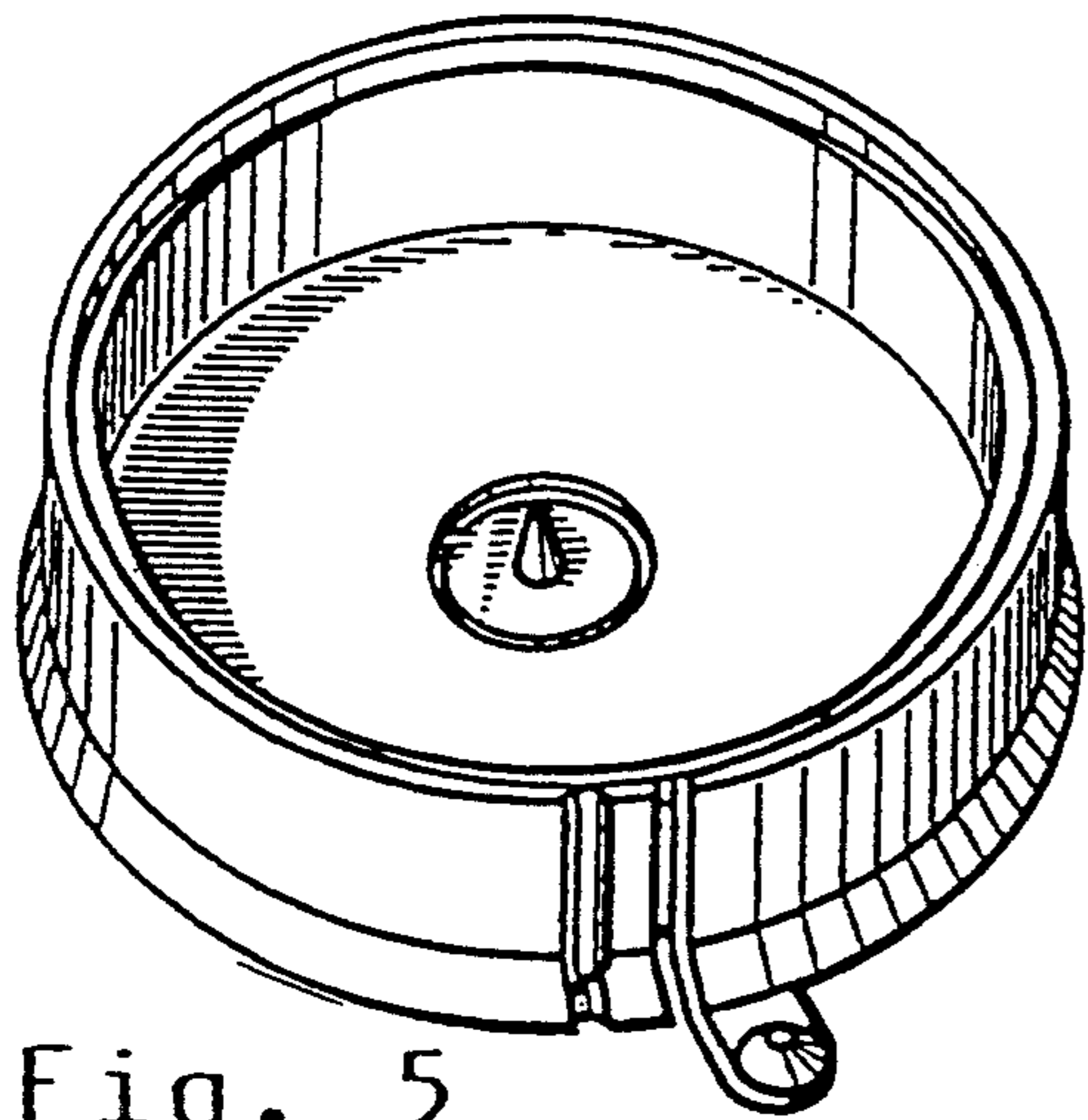


Fig. 5

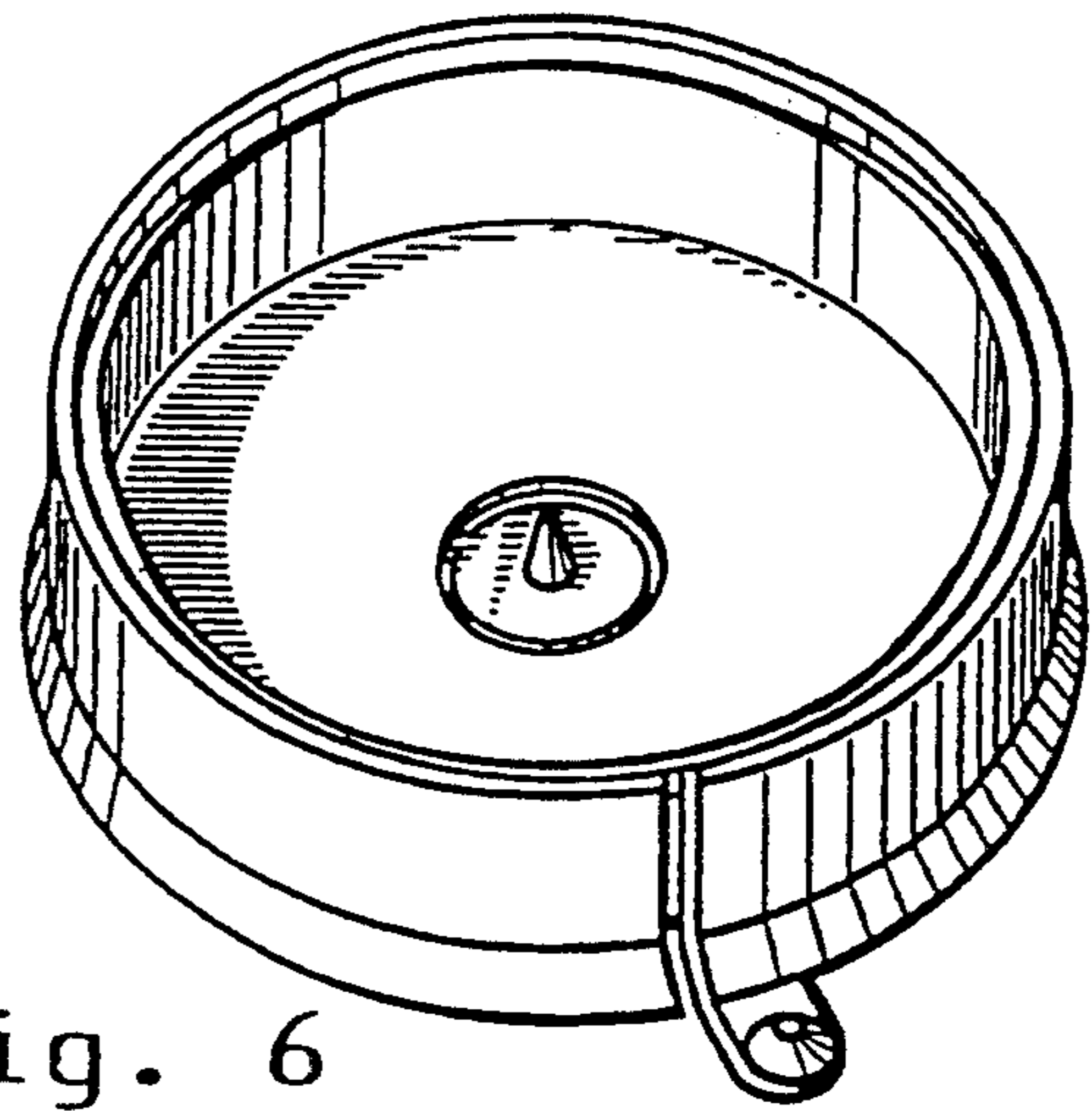


Fig. 6

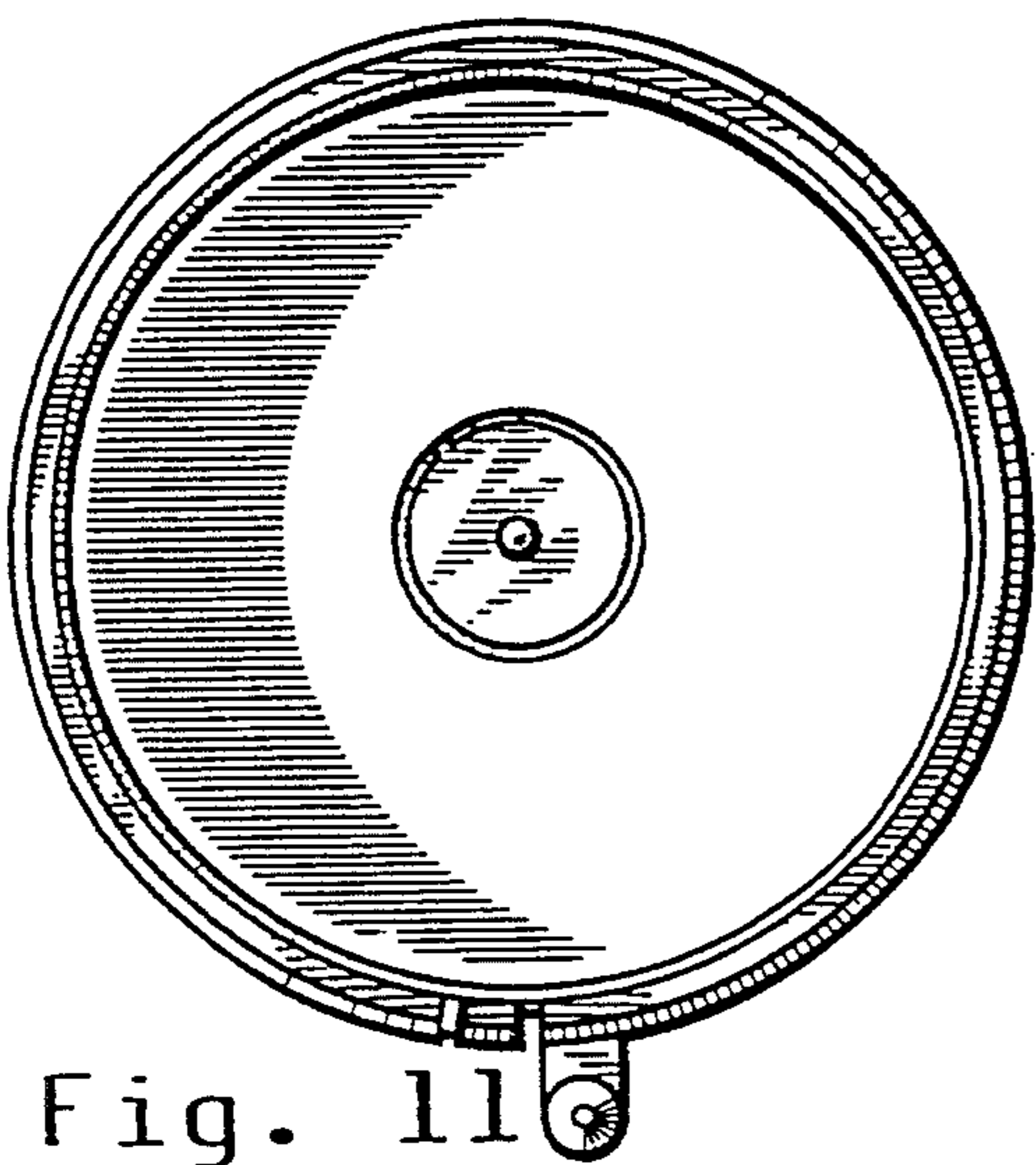


Fig. 11

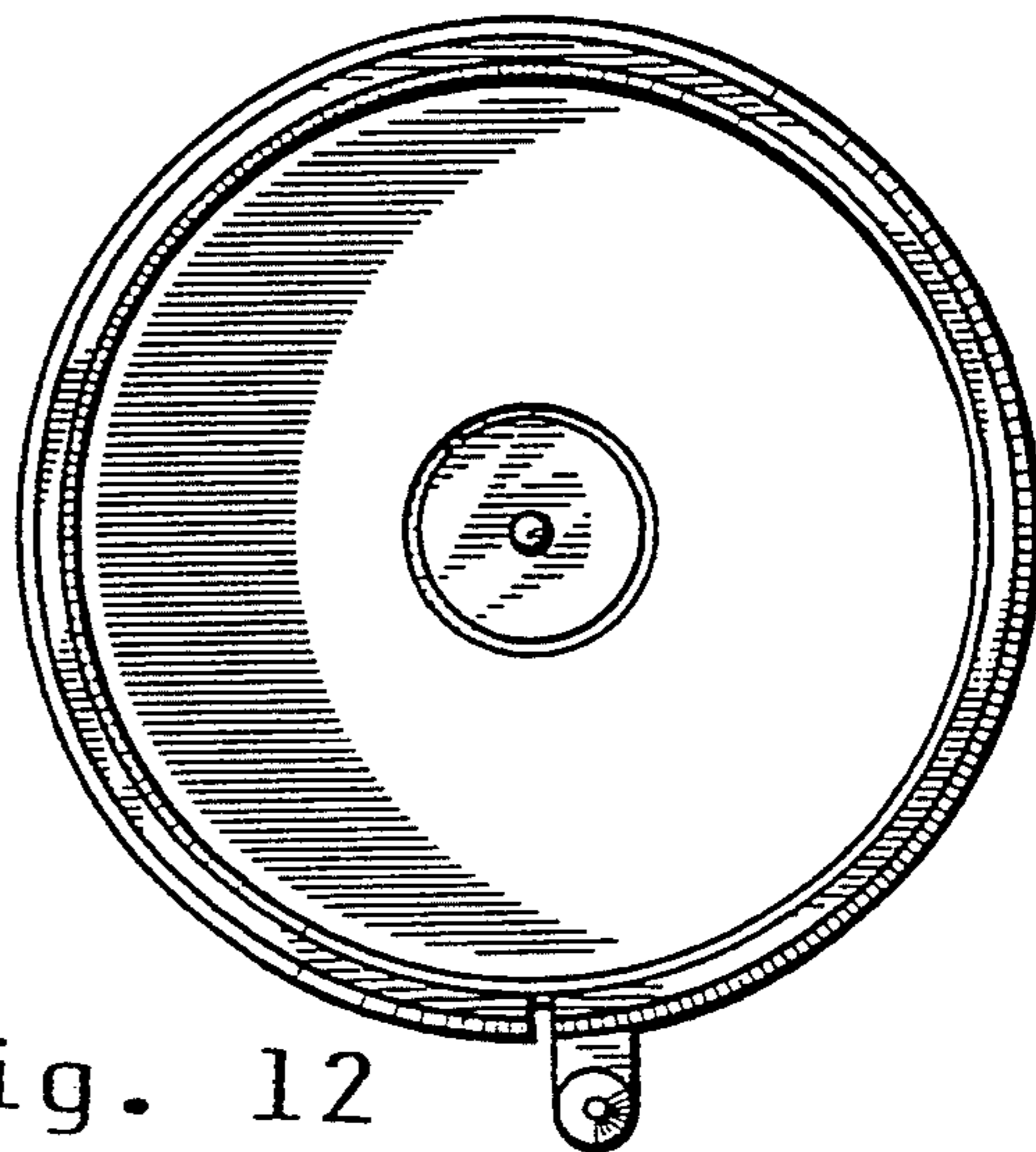


Fig. 12

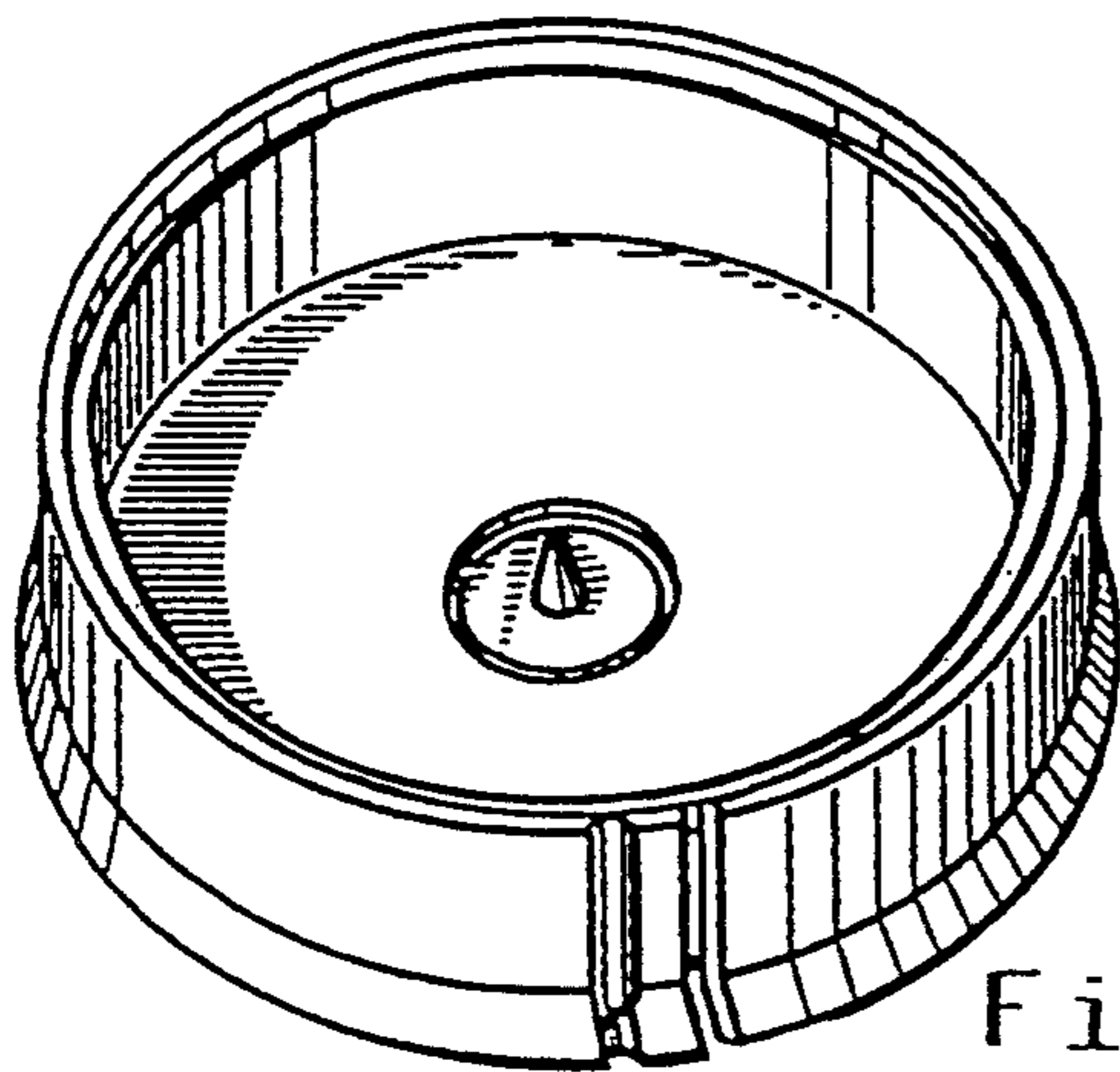
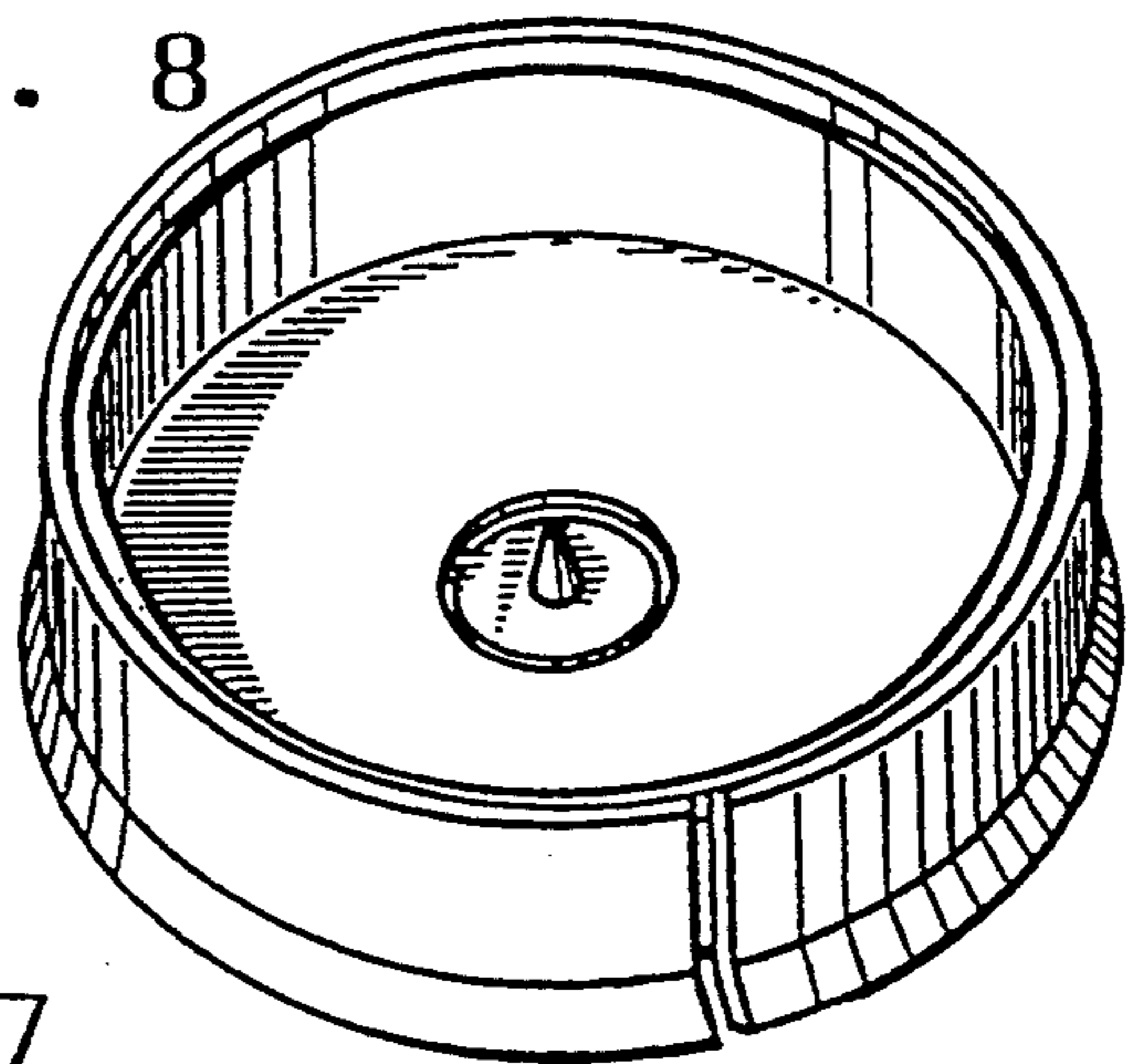


Fig. 7

Fig. 8



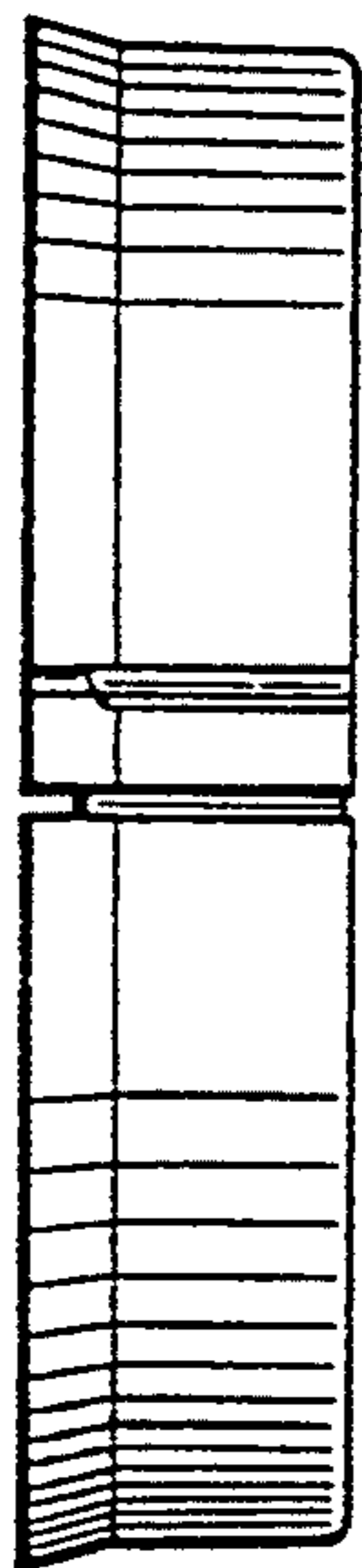


Fig. 18

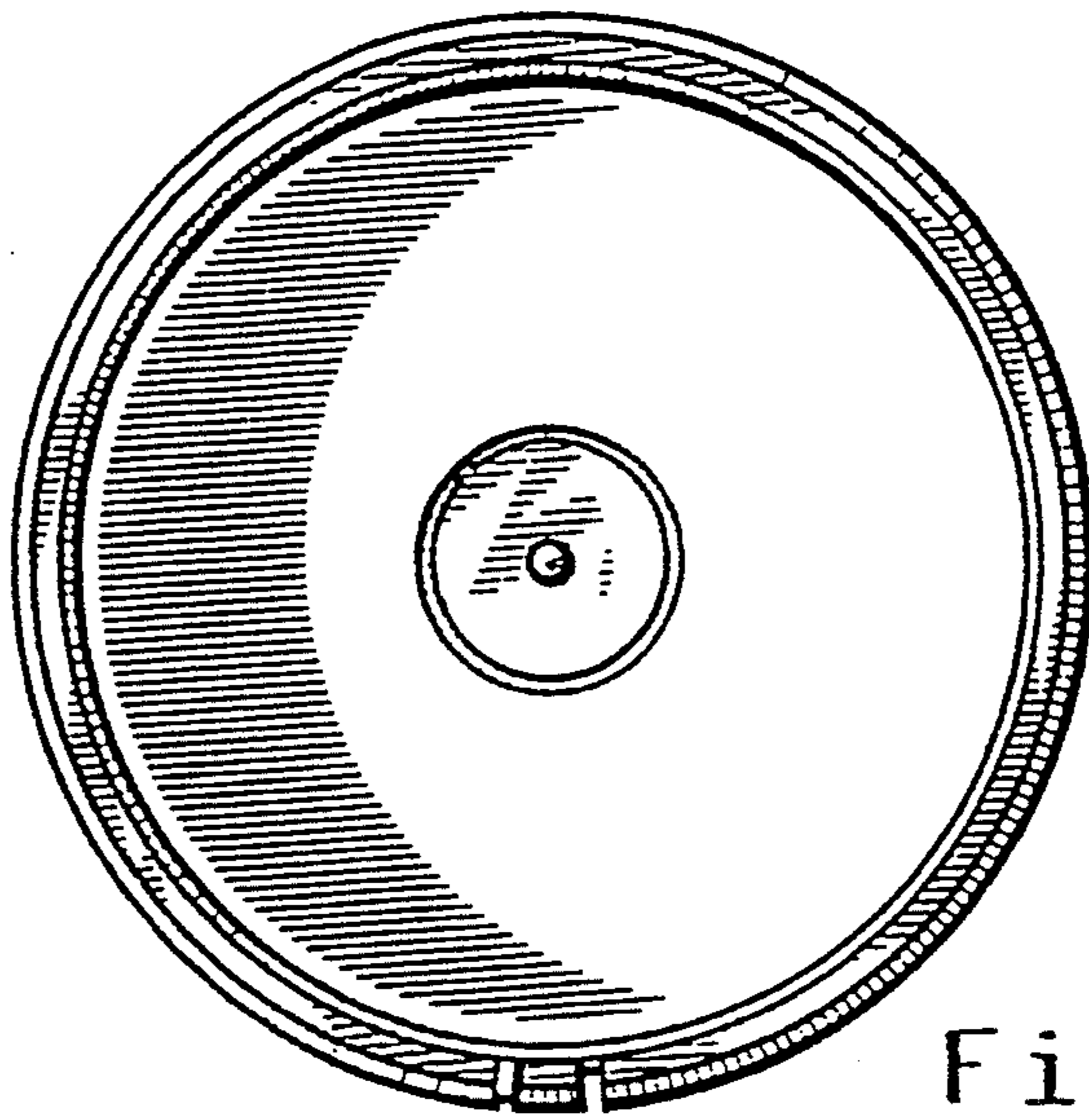


Fig. 13

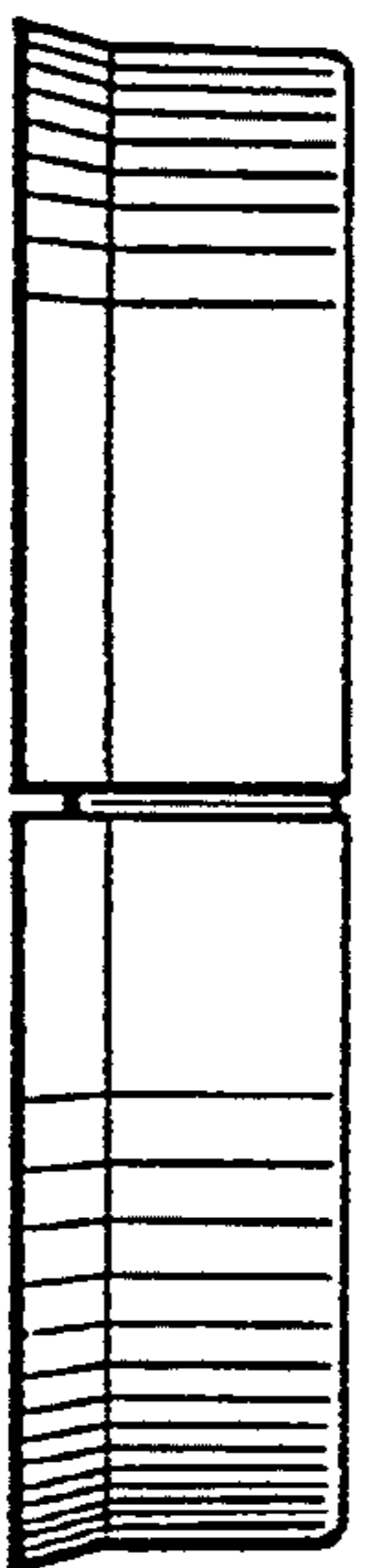


Fig. 17

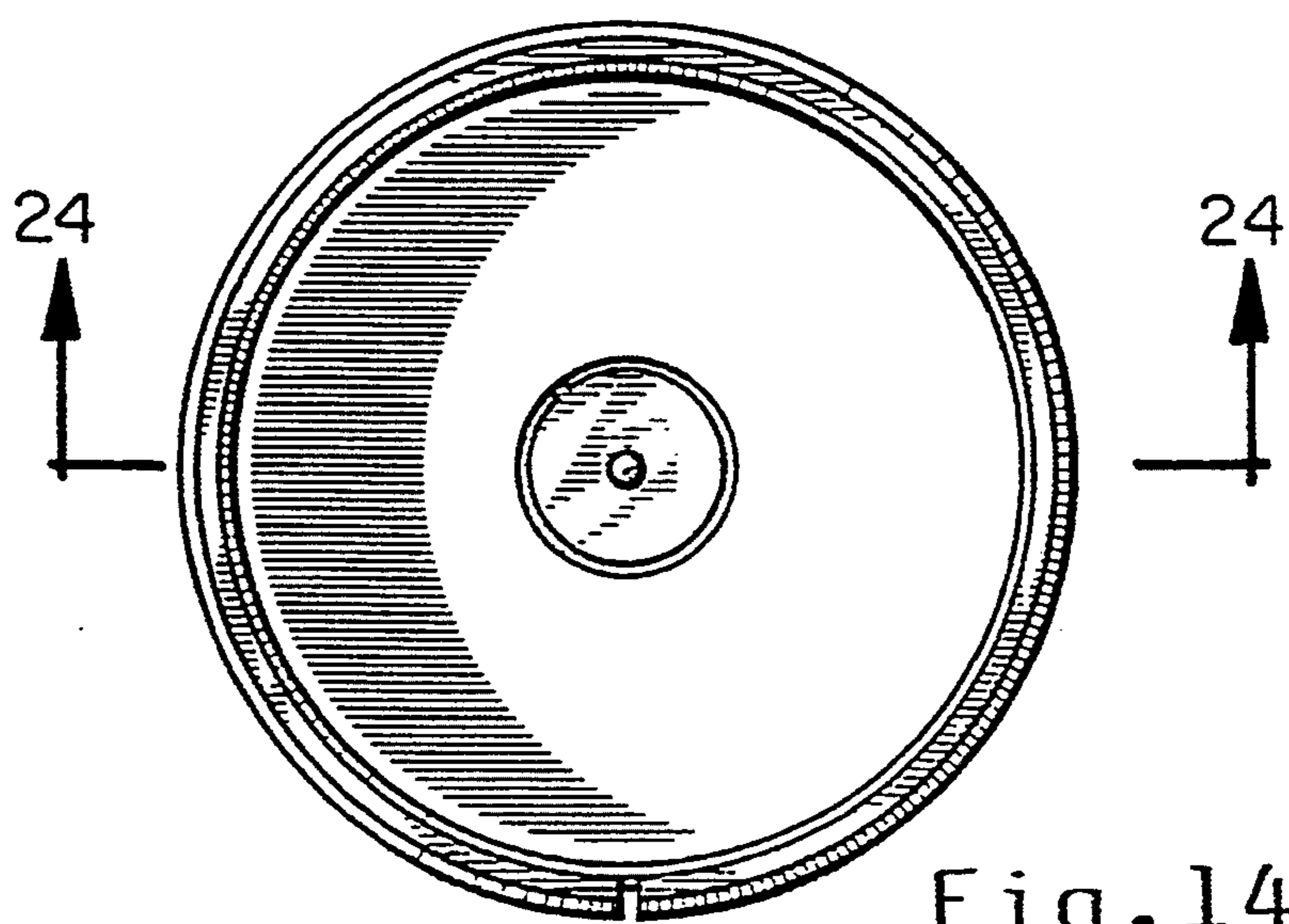
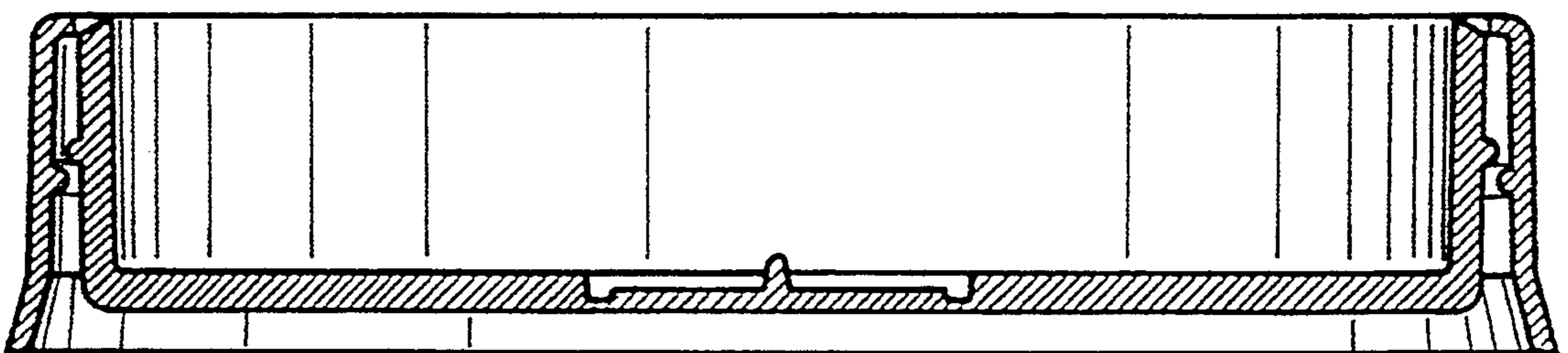


Fig. 14

Fig. 24



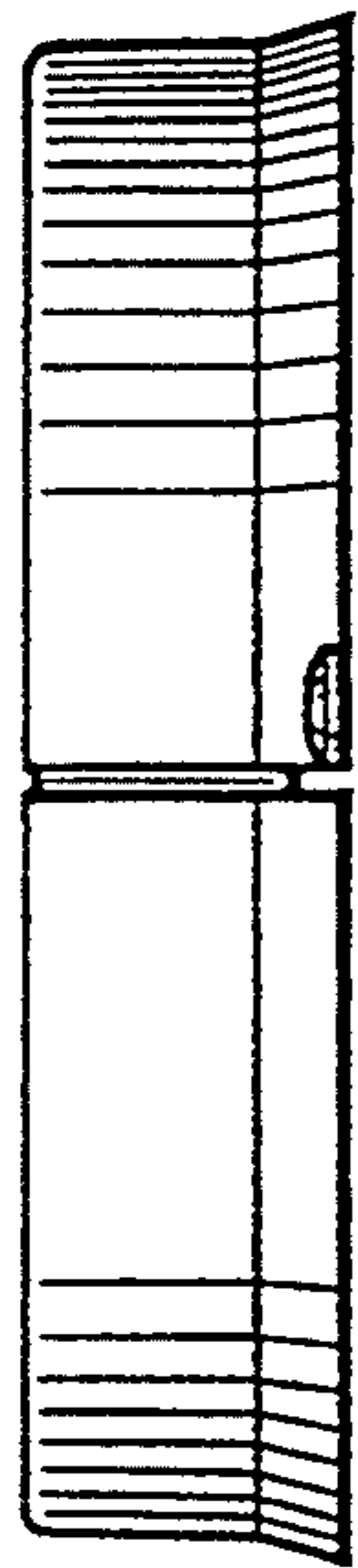


Fig. 19

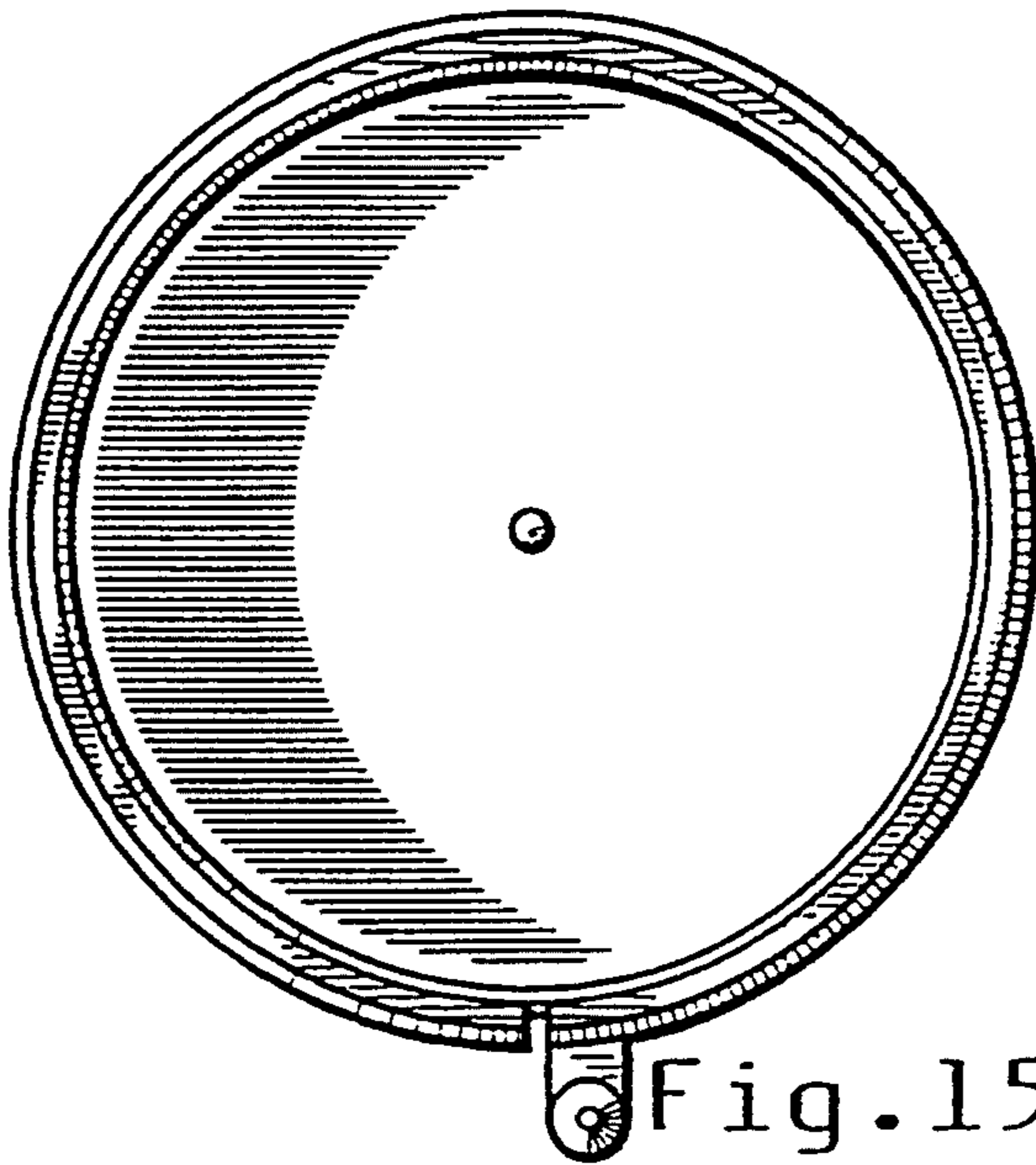


Fig. 15

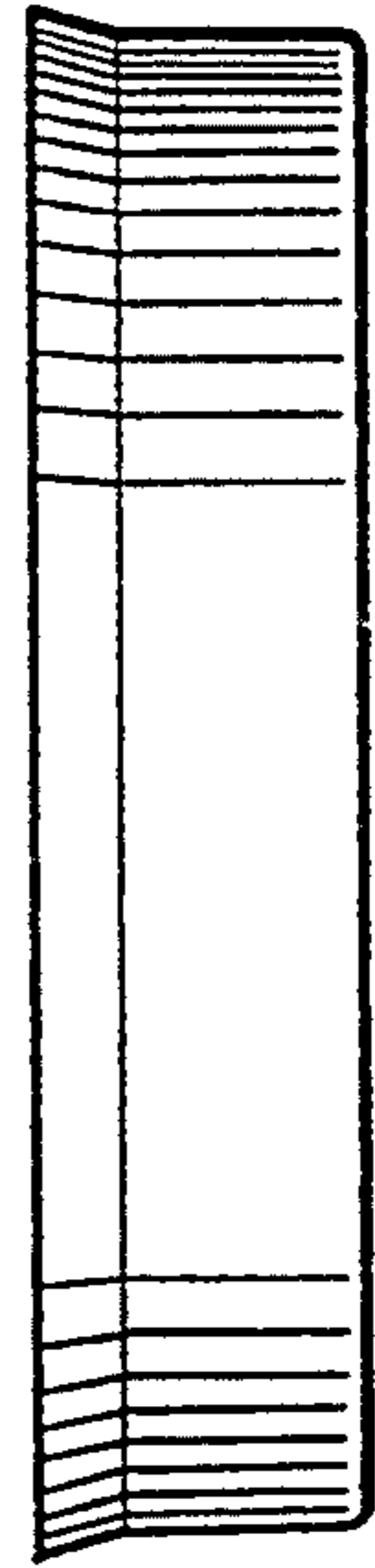


Fig. 21

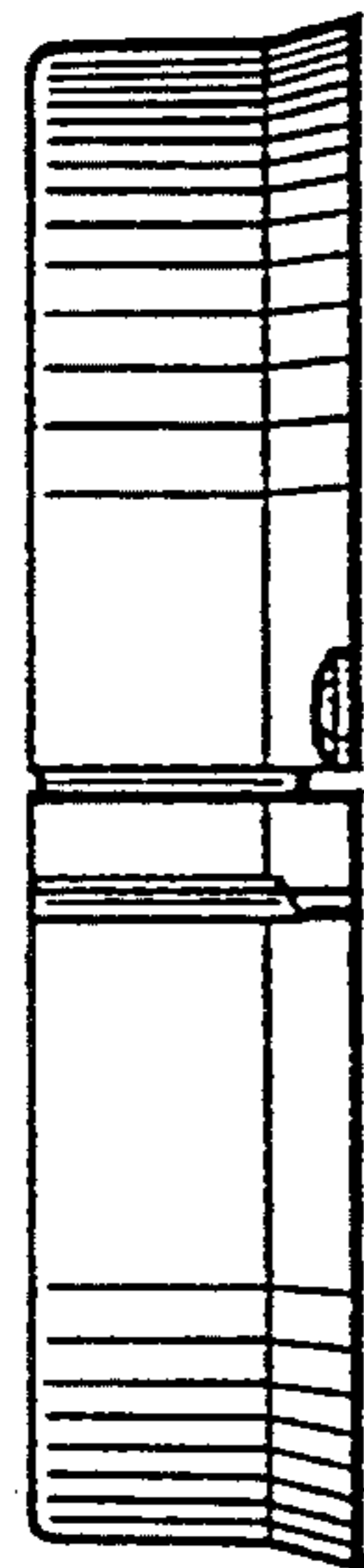


Fig. 20

23

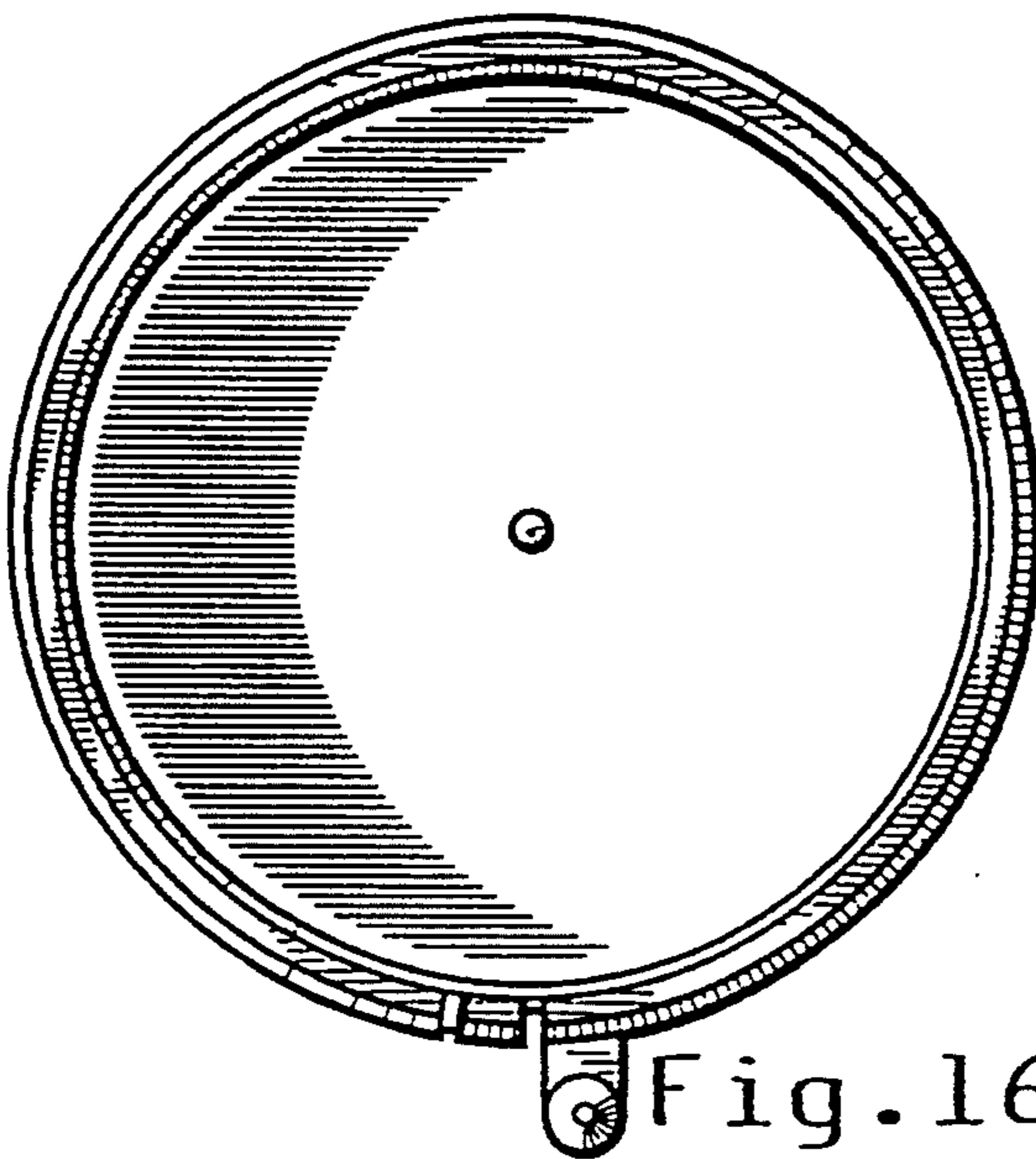


Fig. 16

23

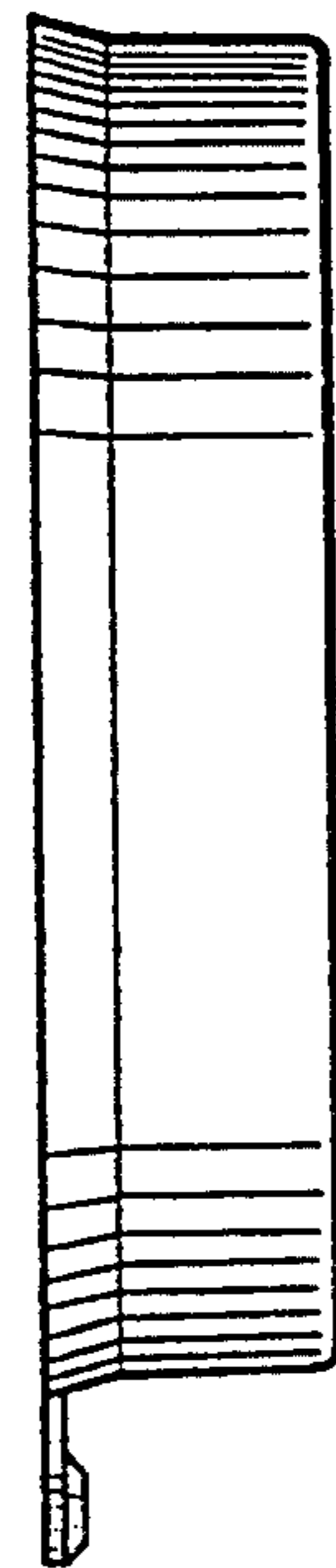


Fig. 22

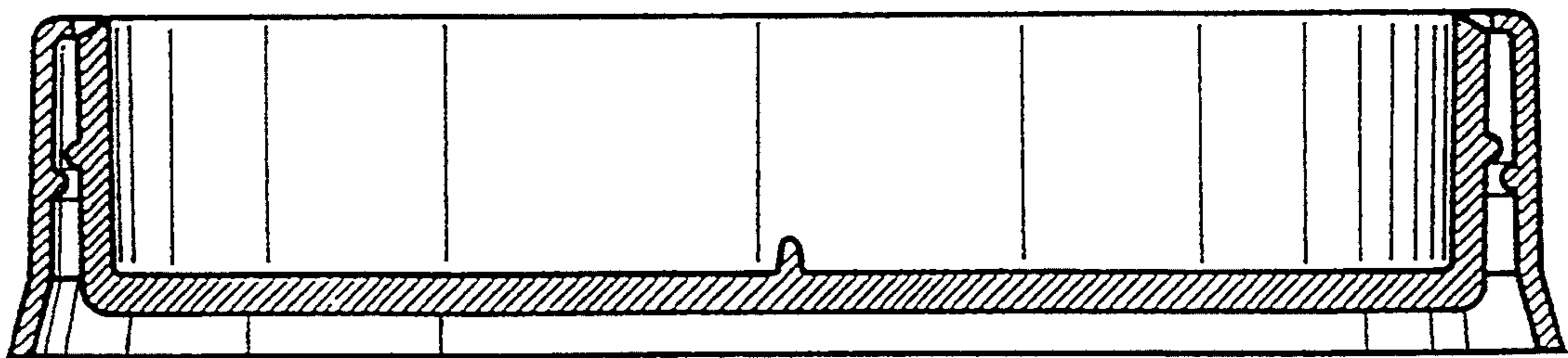


Fig. 23

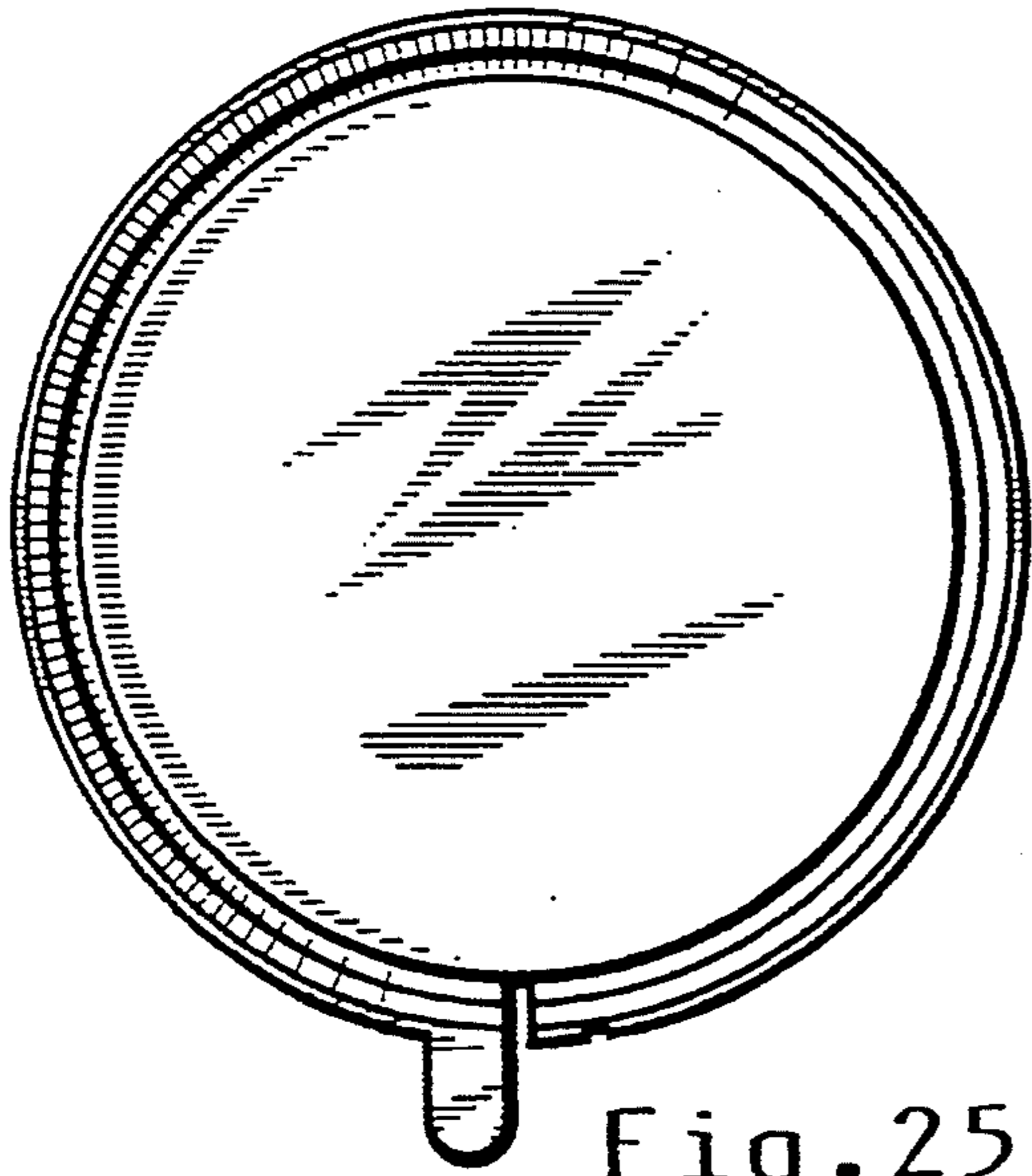


Fig. 25

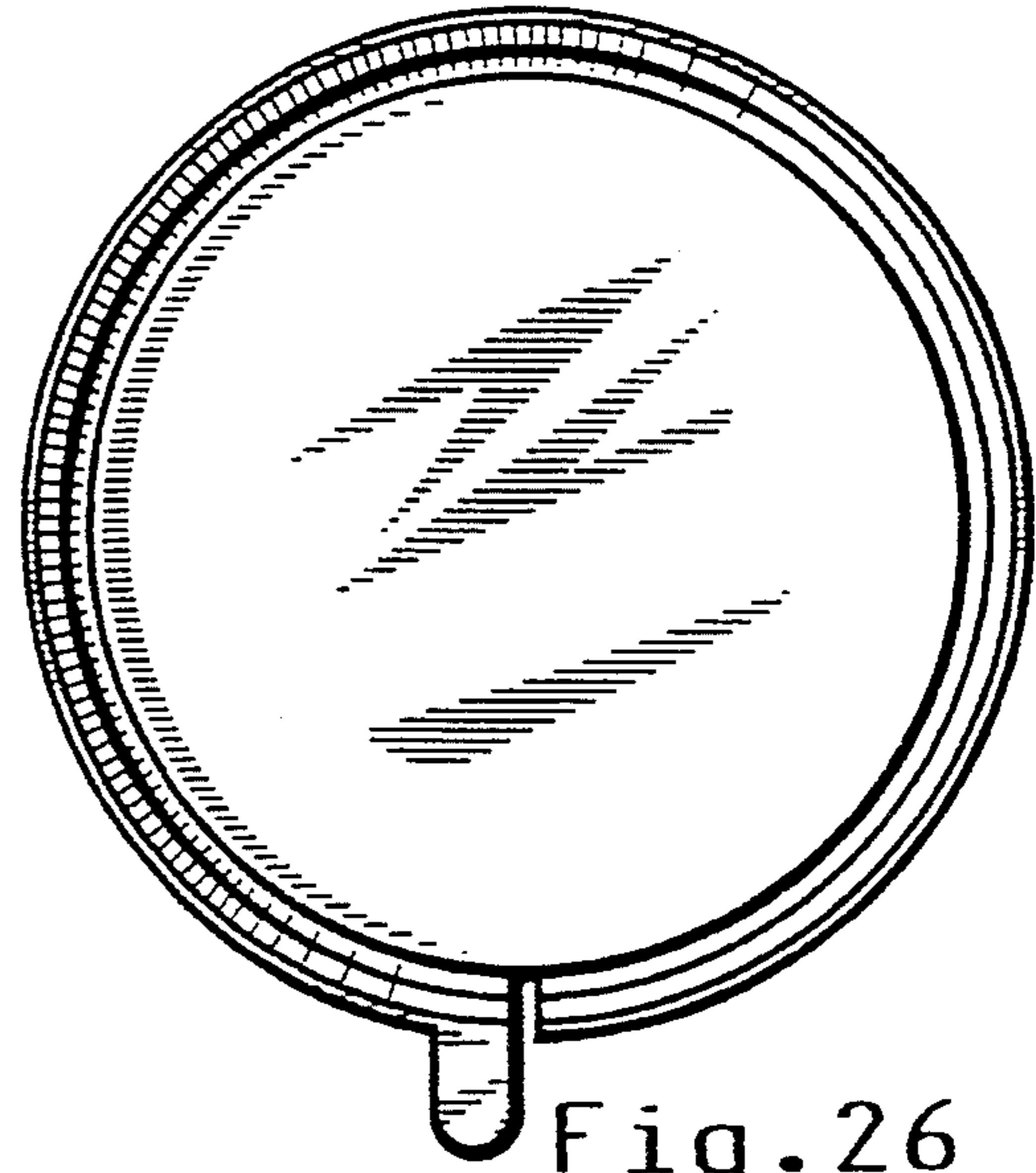


Fig. 26

Fig. 27

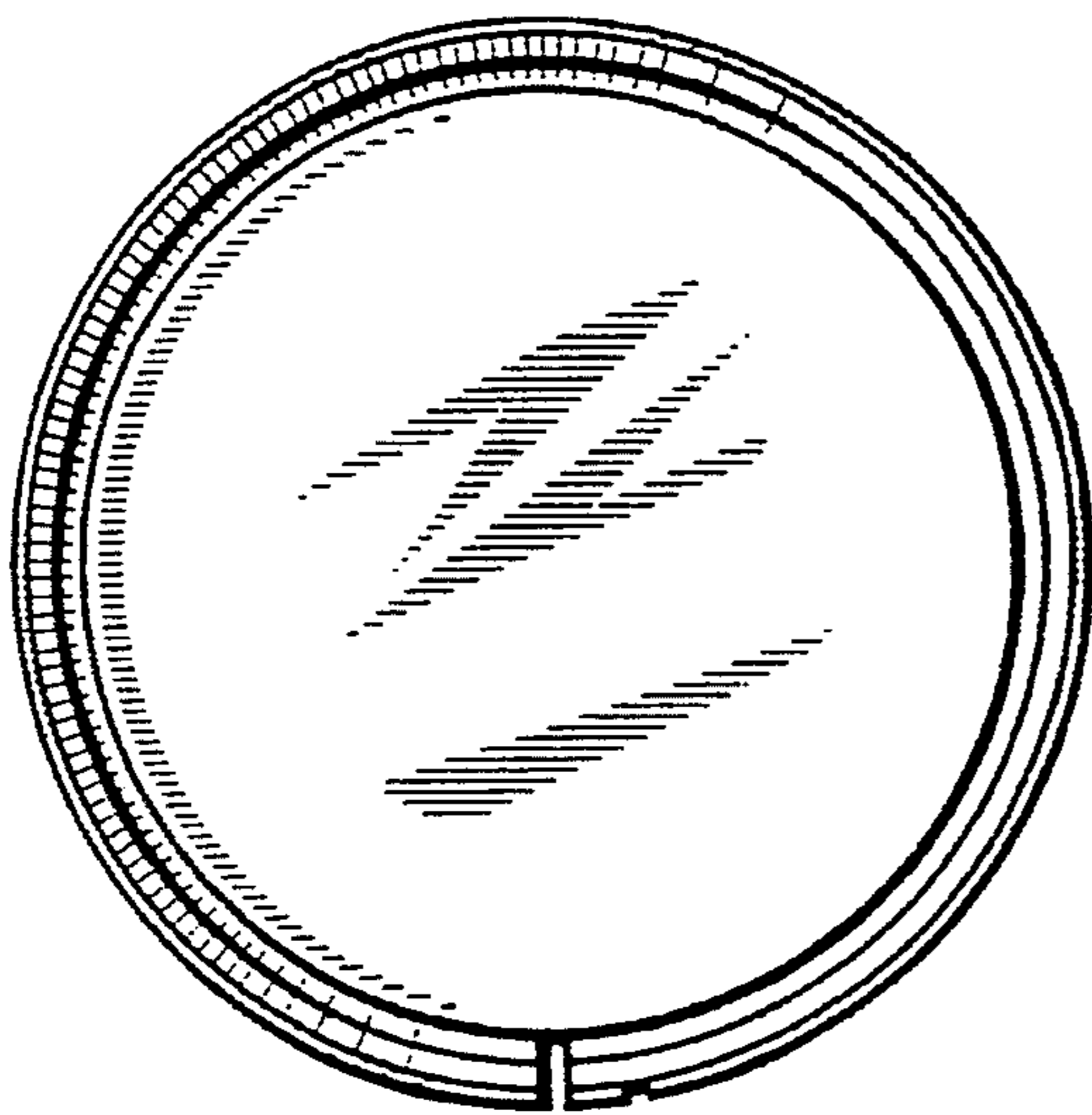


Fig. 28

