



US00D354219S

United States Patent [19] Shimajiri

[11] Patent Number: **Des. 354,219**
[45] Date of Patent: **** Jan. 10, 1995**

- [54] **BOARD CLAMP**
- [75] Inventor: **Naohiro Shimajiri, Toyota, Japan**
- [73] Assignee: **Nifco Inc., Kanagawa, Japan**
- [**] Term: **14 Years**
- [21] Appl. No.: **2,553**
- [22] Filed: **Dec. 15, 1992**
- [52] U.S. Cl. **D6/382**
- [58] Field of Search **D8/382; 24/453;**
411/500, 508, 509, 907

[56] **References Cited**
U.S. PATENT DOCUMENTS

3,249,973	5/1966	Seckerson	411/509
3,412,437	11/1968	Bennett	411/509
3,550,217	12/1978	Collyer	411/509
3,678,797	7/1972	Seckerson	411/509
3,745,612	7/1973	Seckerson	411/509
4,715,095	12/1987	Takahashi	24/453
4,987,656	1/1991	Sato	24/453

Primary Examiner—B. J. Bullock
Attorney, Agent, or Firm—Wenderoth, Lind & Ponack

[57] **CLAIM**

The ornamental design for a board clamp, as shown and described.

DESCRIPTION

FIG. 1 is a front elevational view of a board clamp showing my new design;
 FIG. 2 is a right side elevational view thereof;
 FIG. 3 is a rear elevational view thereof;
 FIG. 4 is a top plan view thereof;
 FIG. 5 is a bottom plan view thereof;
 FIG. 6 is a cross-sectional view taken in the direction of the arrows on line 6—6 in FIG. 1;
 FIG. 7 is a cross-sectional view taken in the direction of the arrows on line 7—7 in FIG. 1; and,
 FIG. 8 is a front elevational view thereof in its position of use, the broken line showing of the boards being for illustrative purposes only.

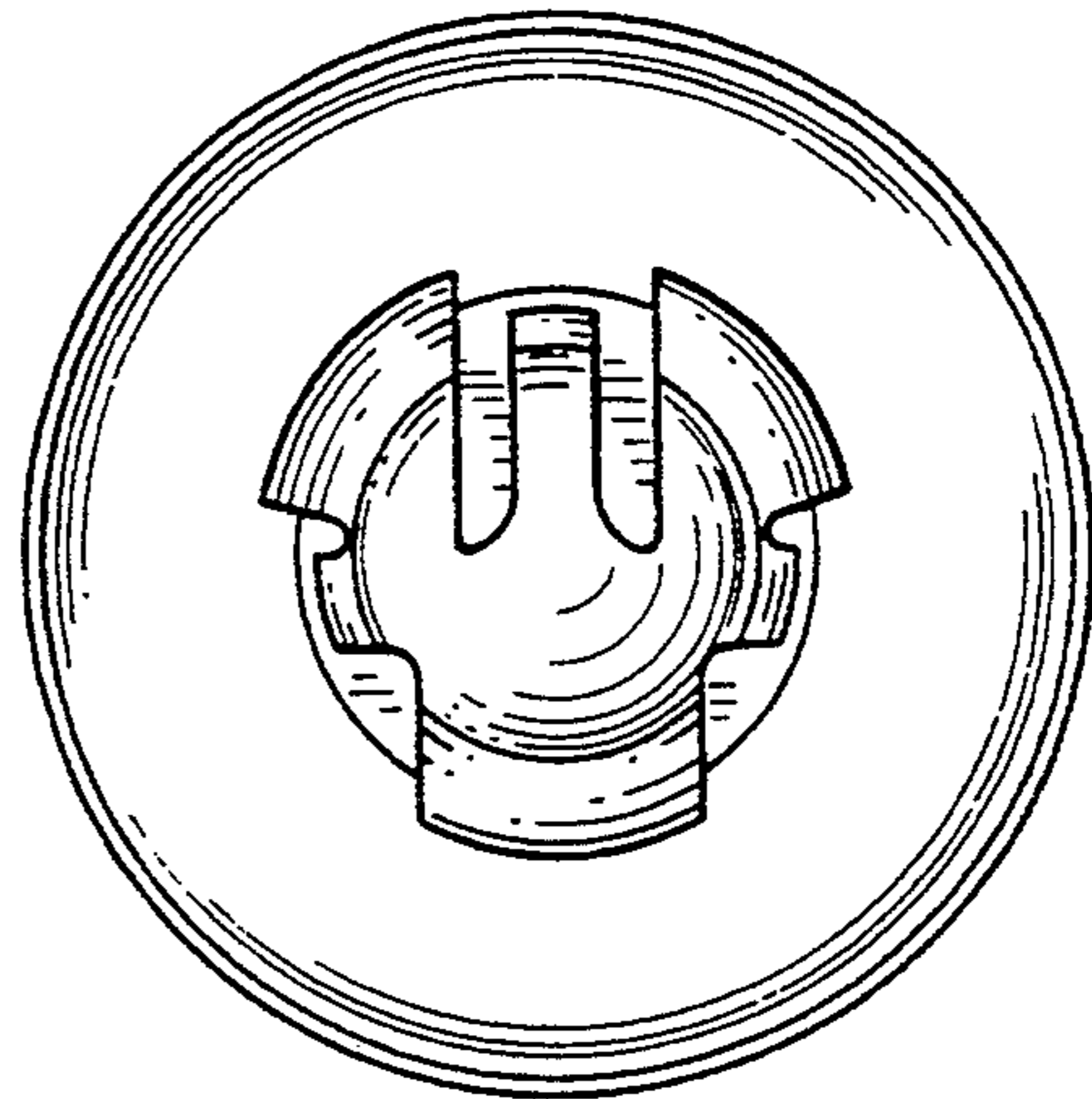
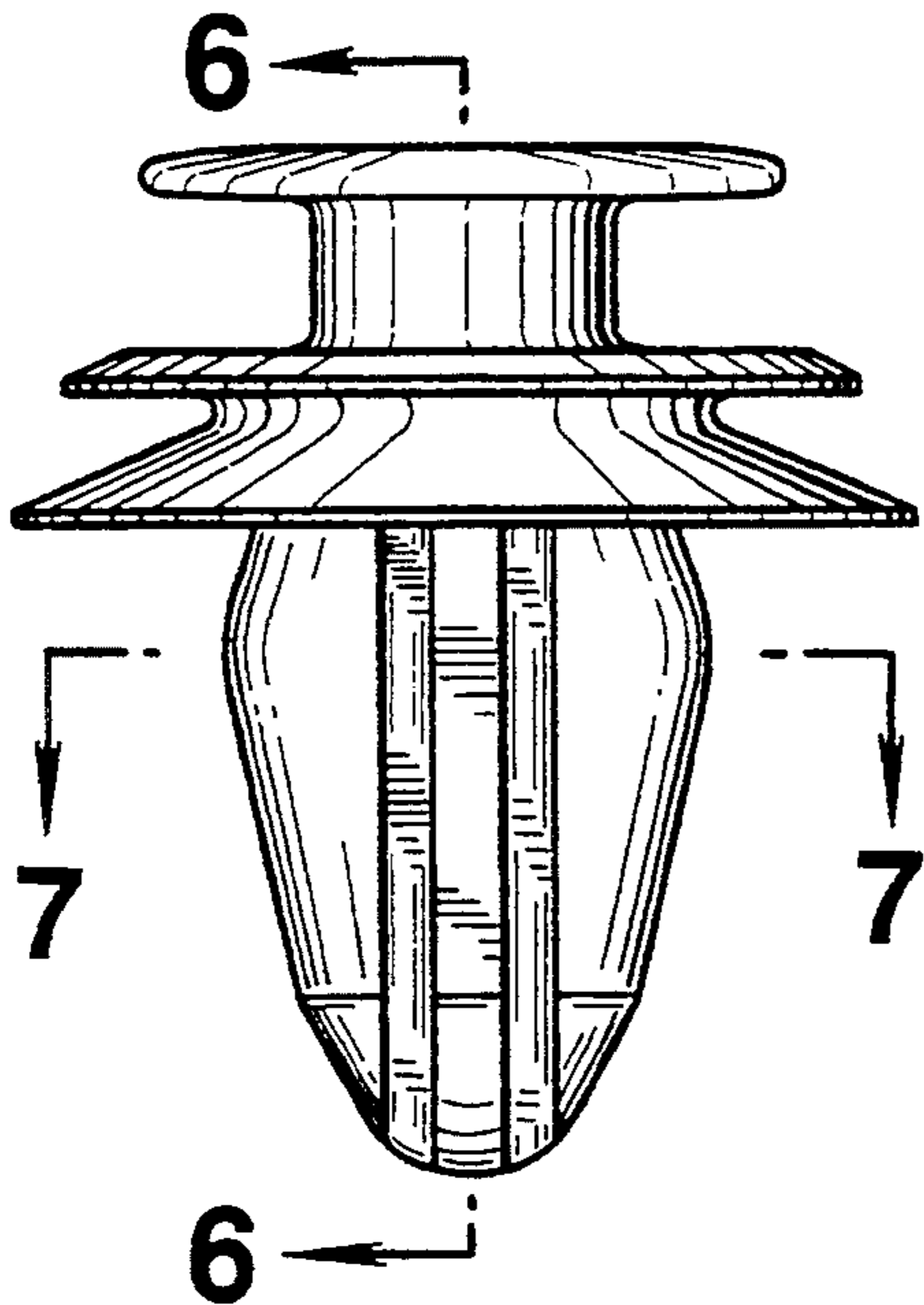


FIG. 1

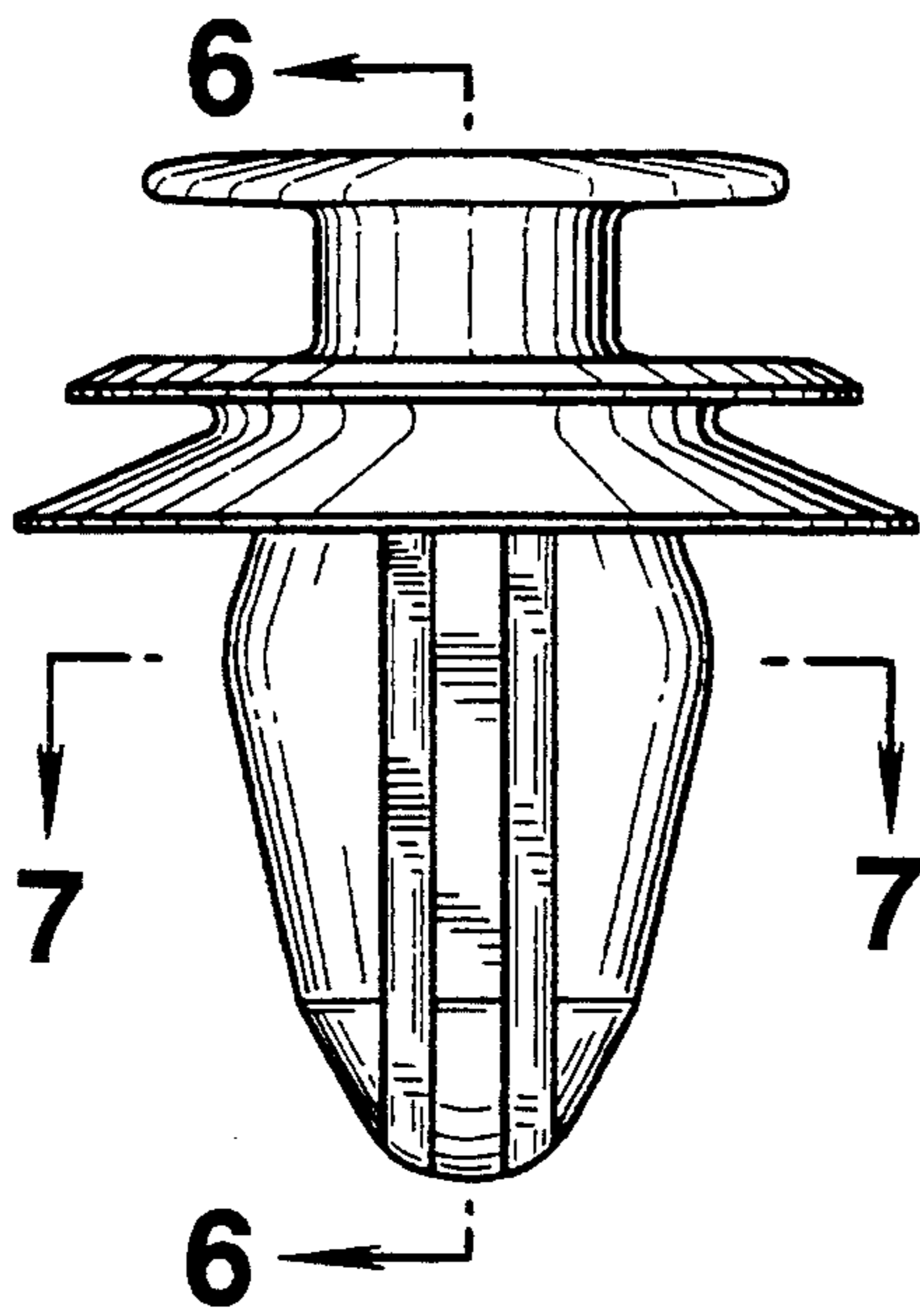


FIG. 2

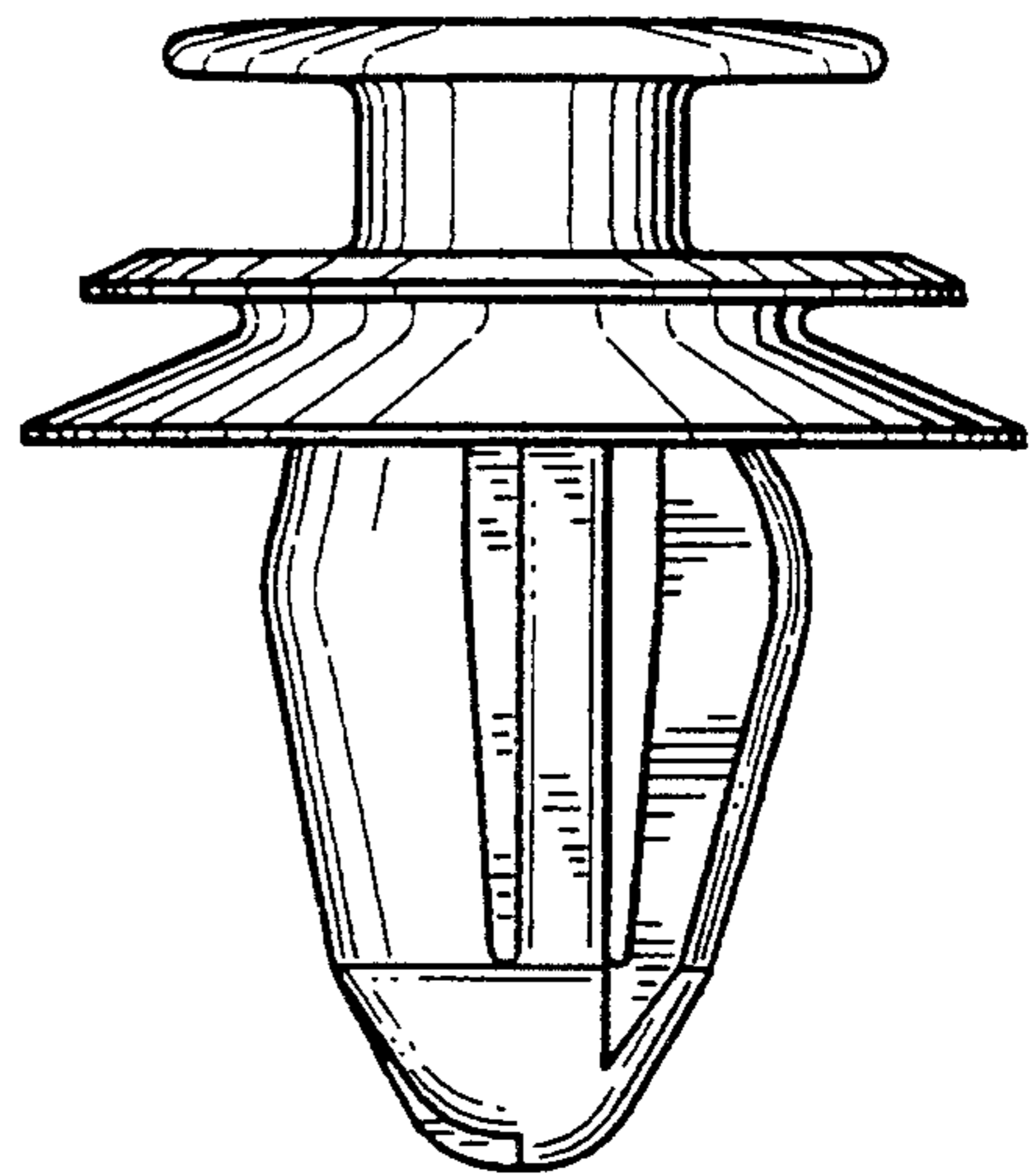


FIG. 4

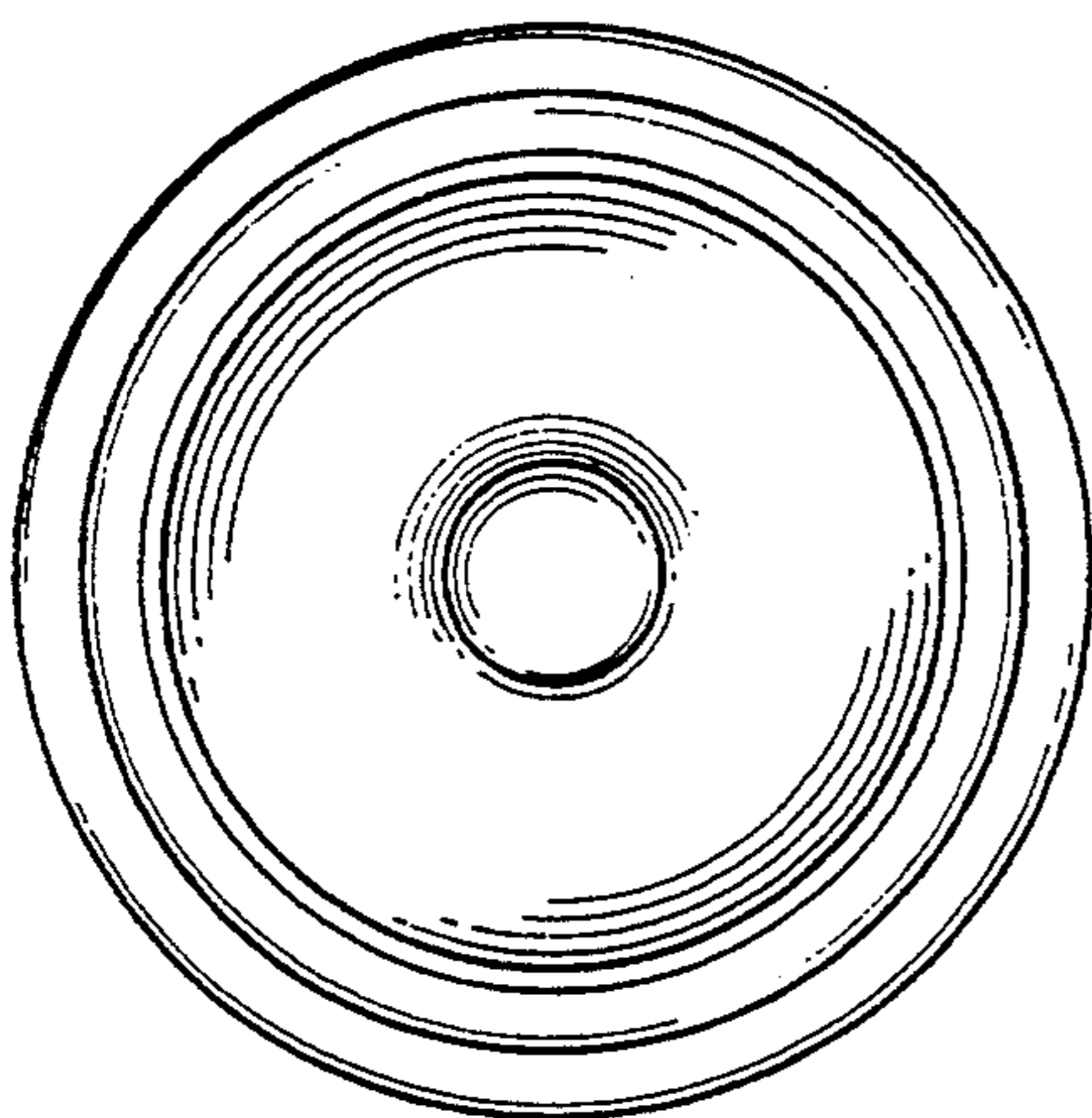


FIG. 3

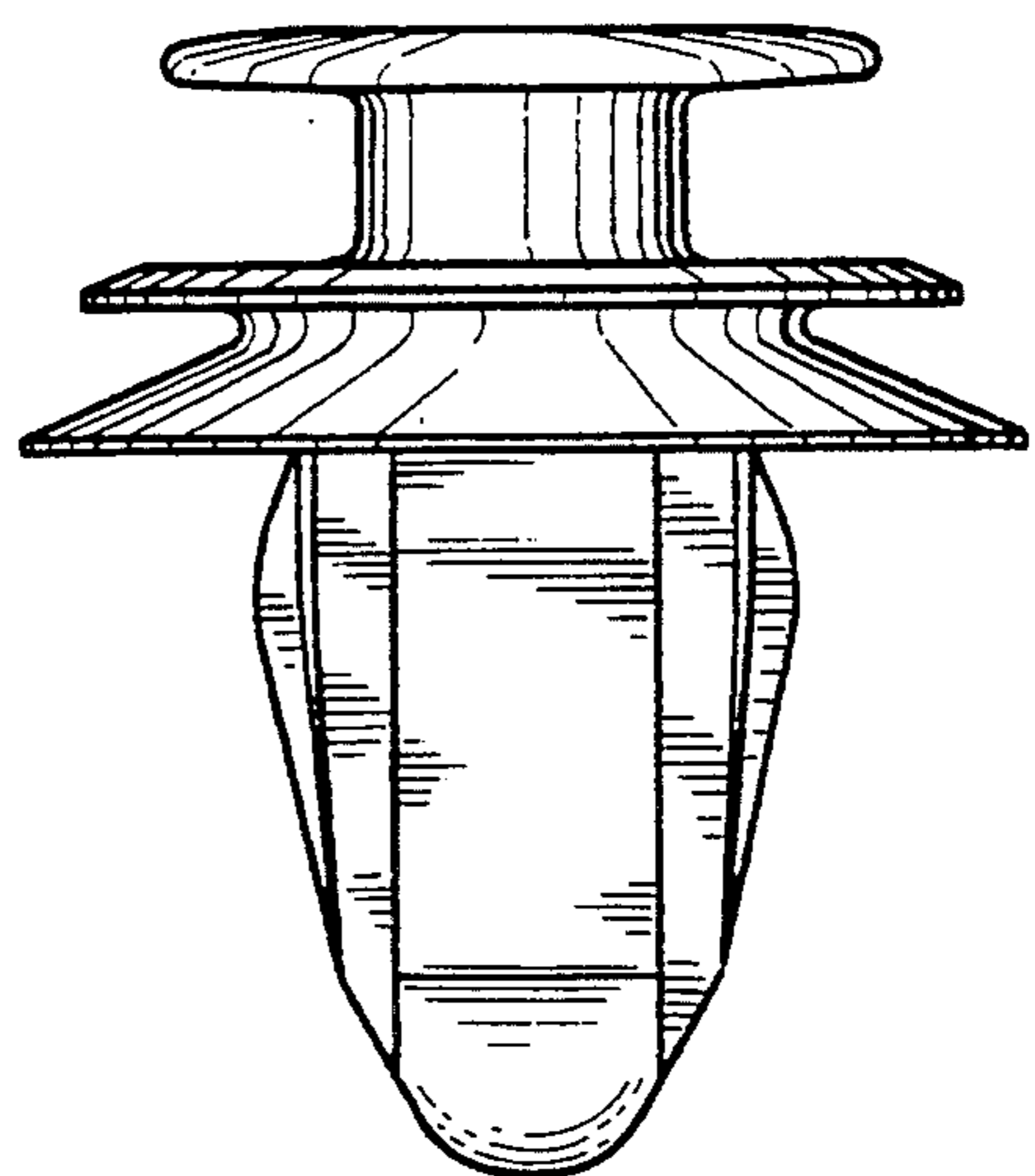


FIG. 5

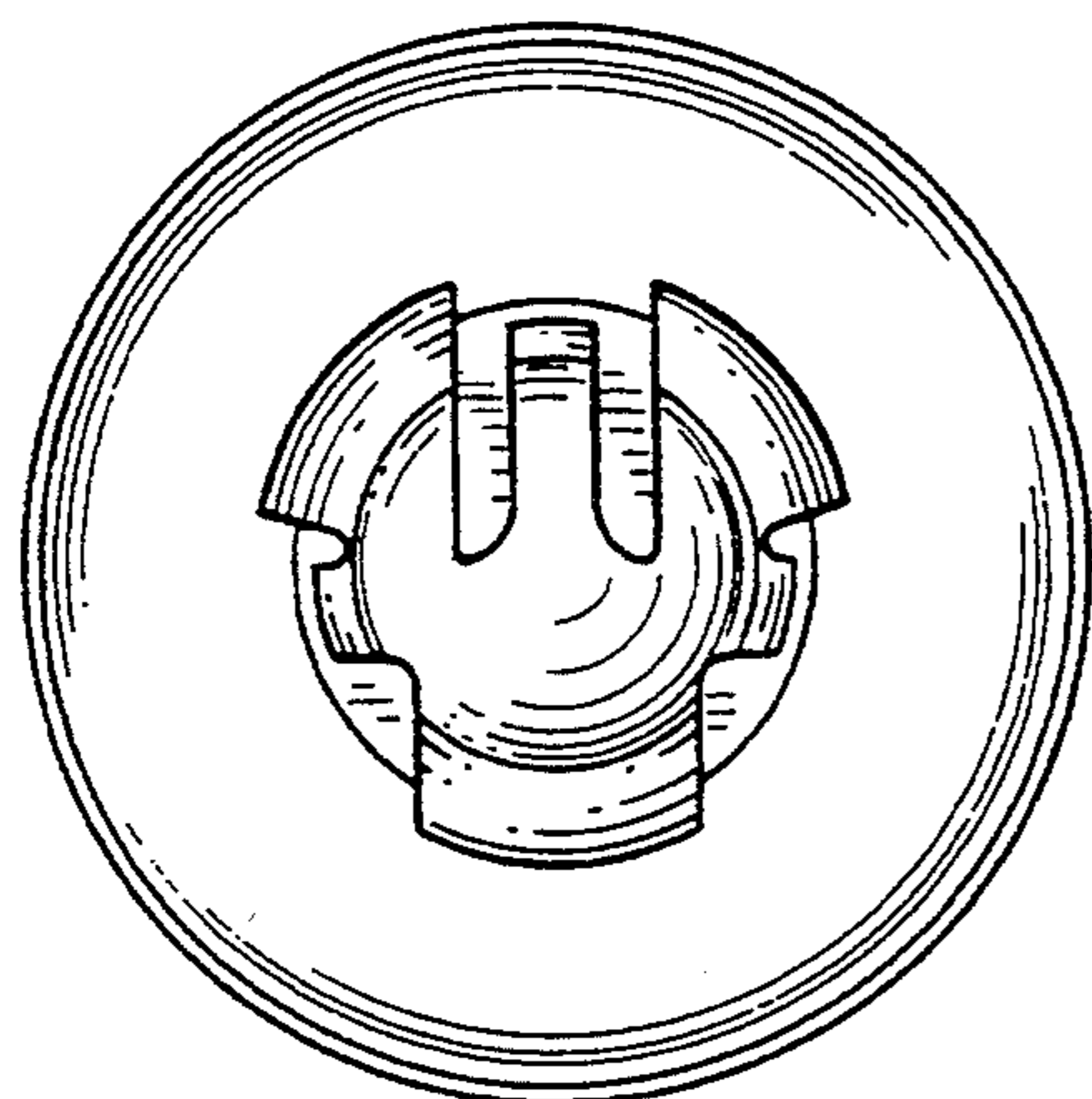


FIG.6

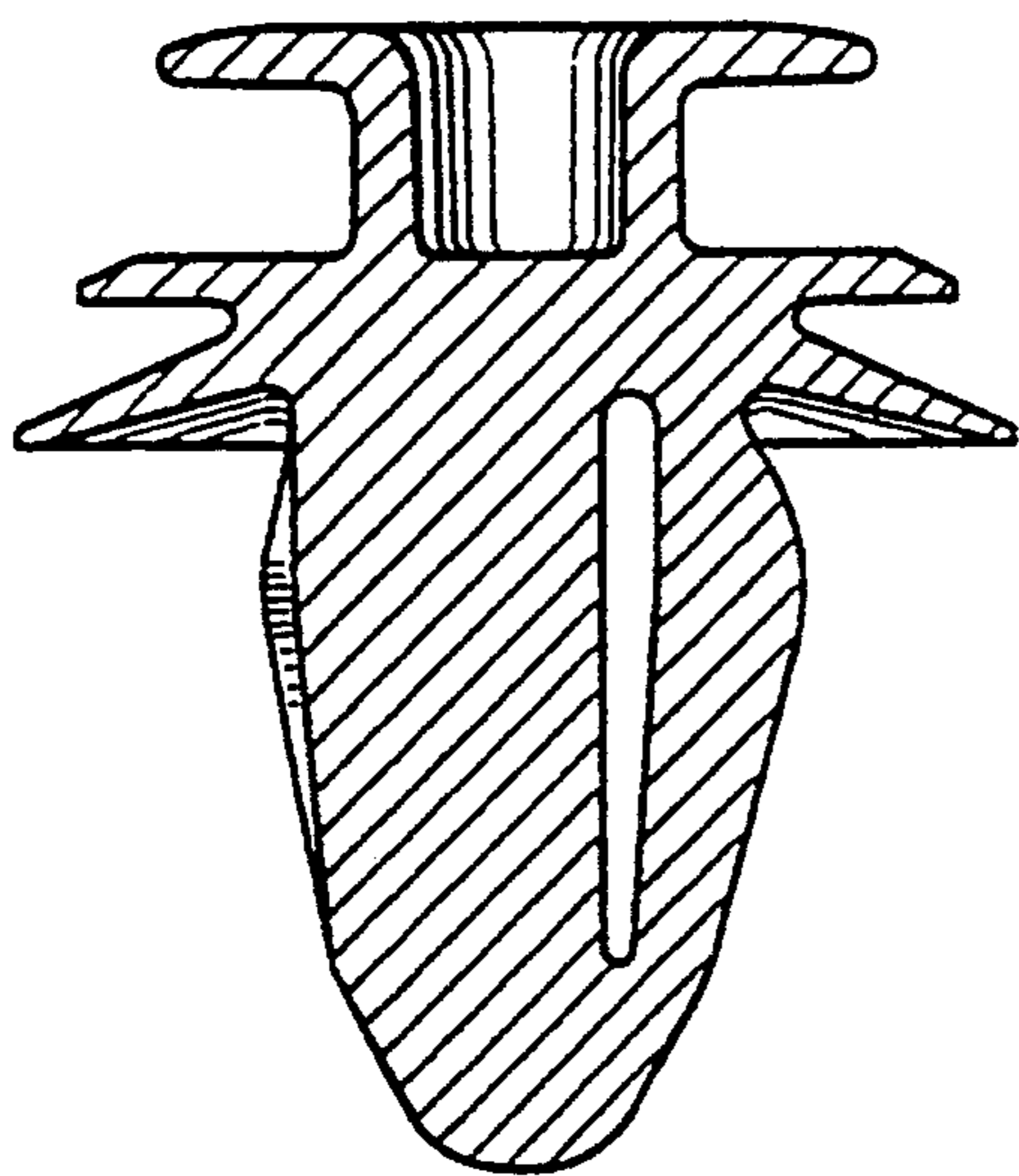


FIG.7

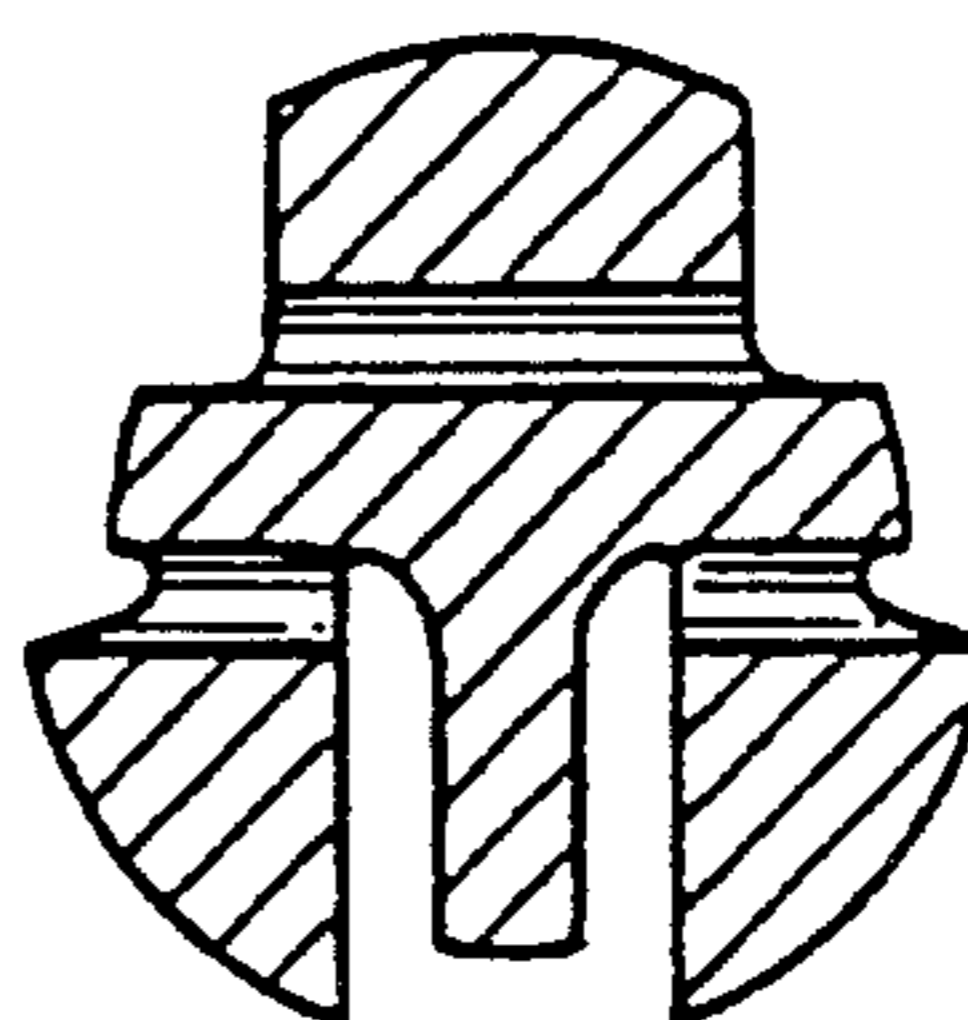


FIG.8

