



US00D354218S

United States Patent [19]

[11] Patent Number: **Des. 354,218**

Van de Peer

[45] Date of Patent: **** Jan. 10, 1995**

[54] **SPACER FOR USE IN CONCRETE CONSTRUCTION**

4,063,397 12/1977 Follows 52/684

[75] Inventor: **Christopher Van de Peer**, Seven Hills, Australia

FOREIGN PATENT DOCUMENTS

612486 1/1961 Canada 52/677
1255275 11/1967 Germany 52/684
986450 3/1965 United Kingdom 52/677

[73] Assignee: **Fiberslab Pty Limited**, New South Wales, Australia

Primary Examiner—Wallace R. Burke
Assistant Examiner—H. Baynham

[**] Term: **14 Years**

[57] CLAIM

[21] Appl. No.: **6,542**

The ornamental design for a spacer for use in concrete construction, as shown.

[22] Filed: **Mar. 31, 1993**

[30] Foreign Application Priority Data

DESCRIPTION

Oct. 1, 1992 [AU] Australia 2755/92

[52] U.S. Cl. **D8/354**

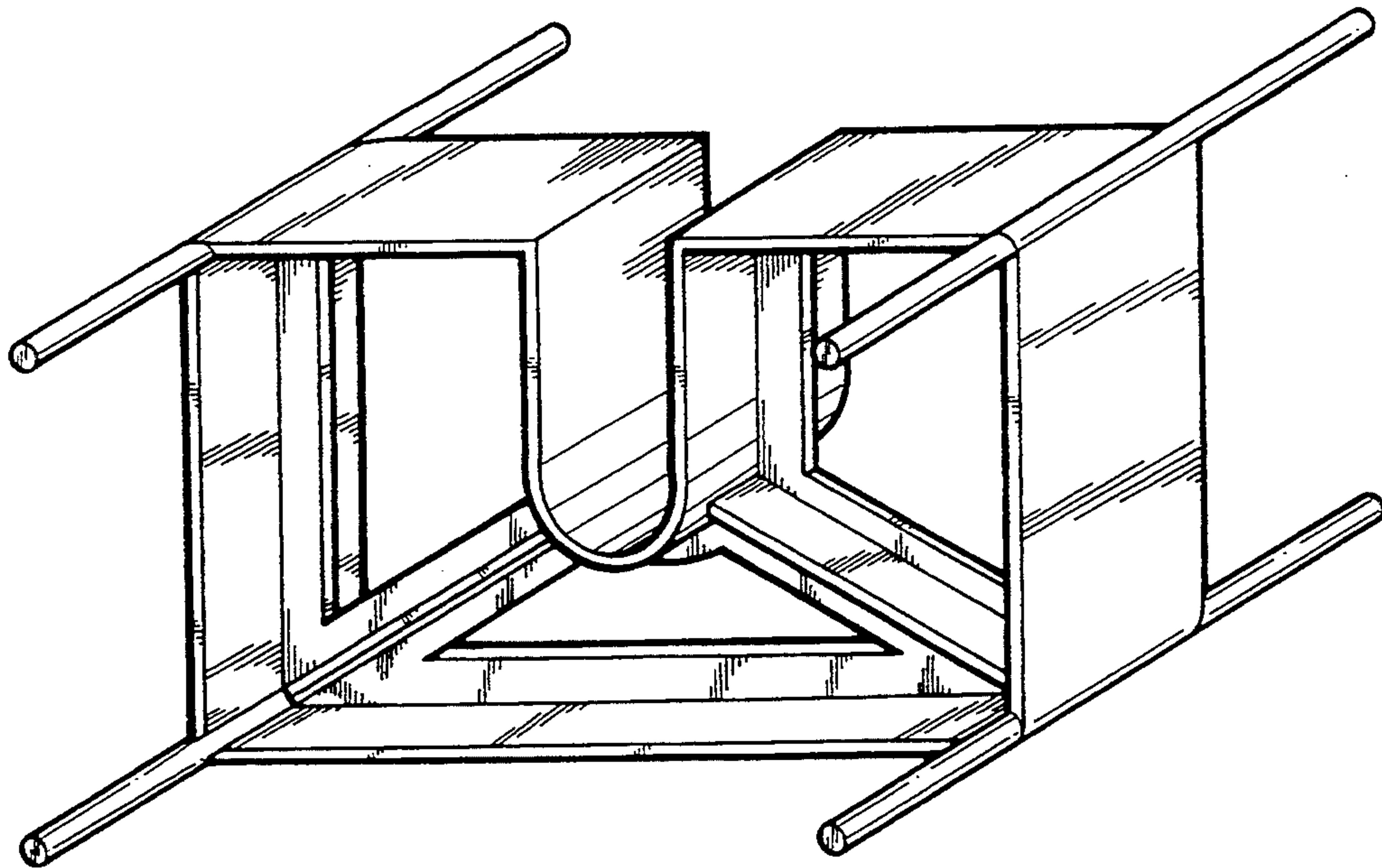
[58] Field of Search D8/354; 52/677, 684

FIG. 1 is a perspective view of a spacer for use in concrete construction showing my new design; FIG. 2 is an end elevational view thereof with the opposite end being a mirror image thereof; FIG. 3 is a side elevational view thereof with the opposite side being a mirror image thereof; and, FIG. 4 is a top plan view thereof with the opposite plan view being a mirror image thereof.

[56] References Cited

U.S. PATENT DOCUMENTS

D. 232,807 9/1974 Toper D8/380
3,471,987 10/1969 Yelsma 52/684



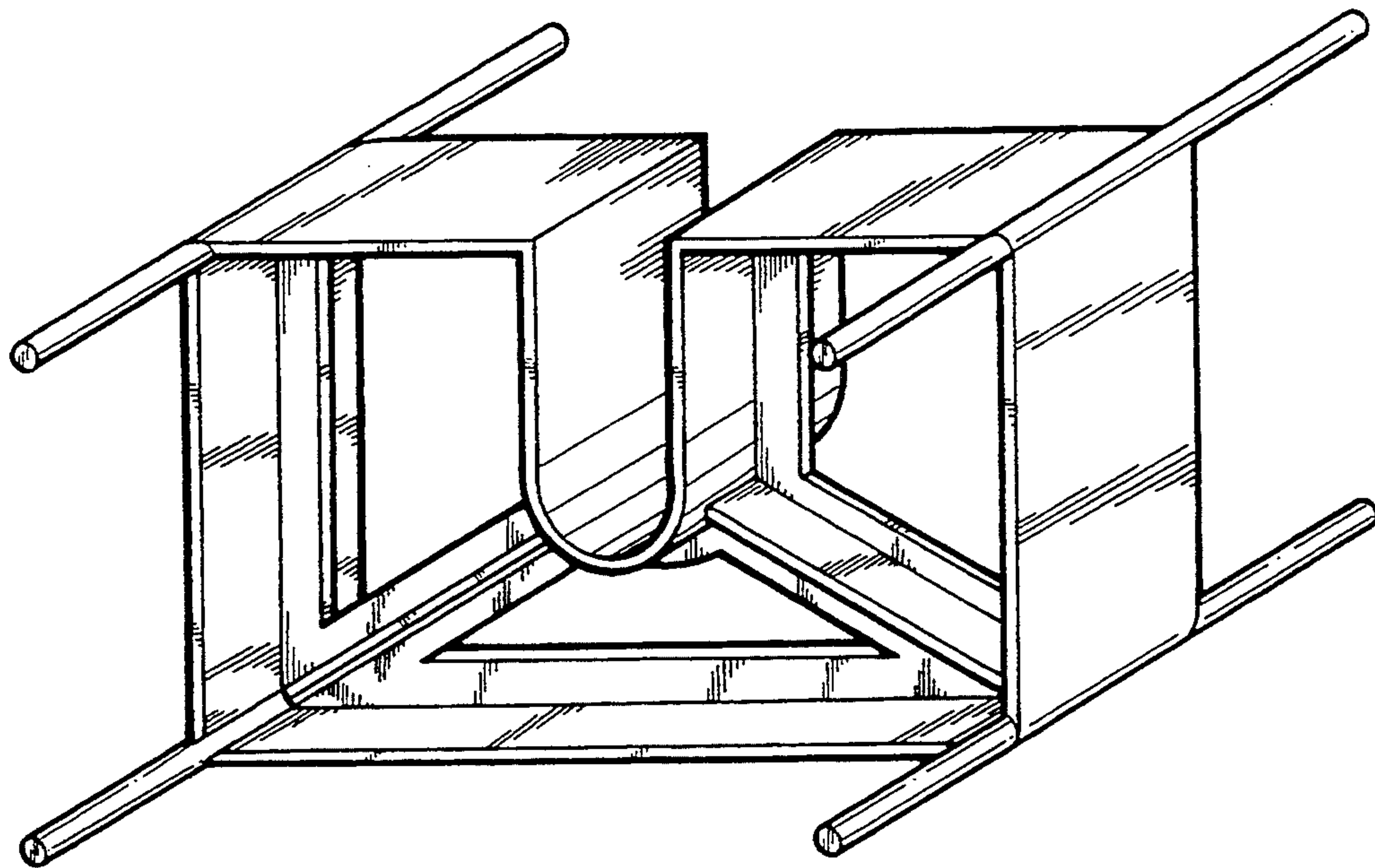


FIGURE 1

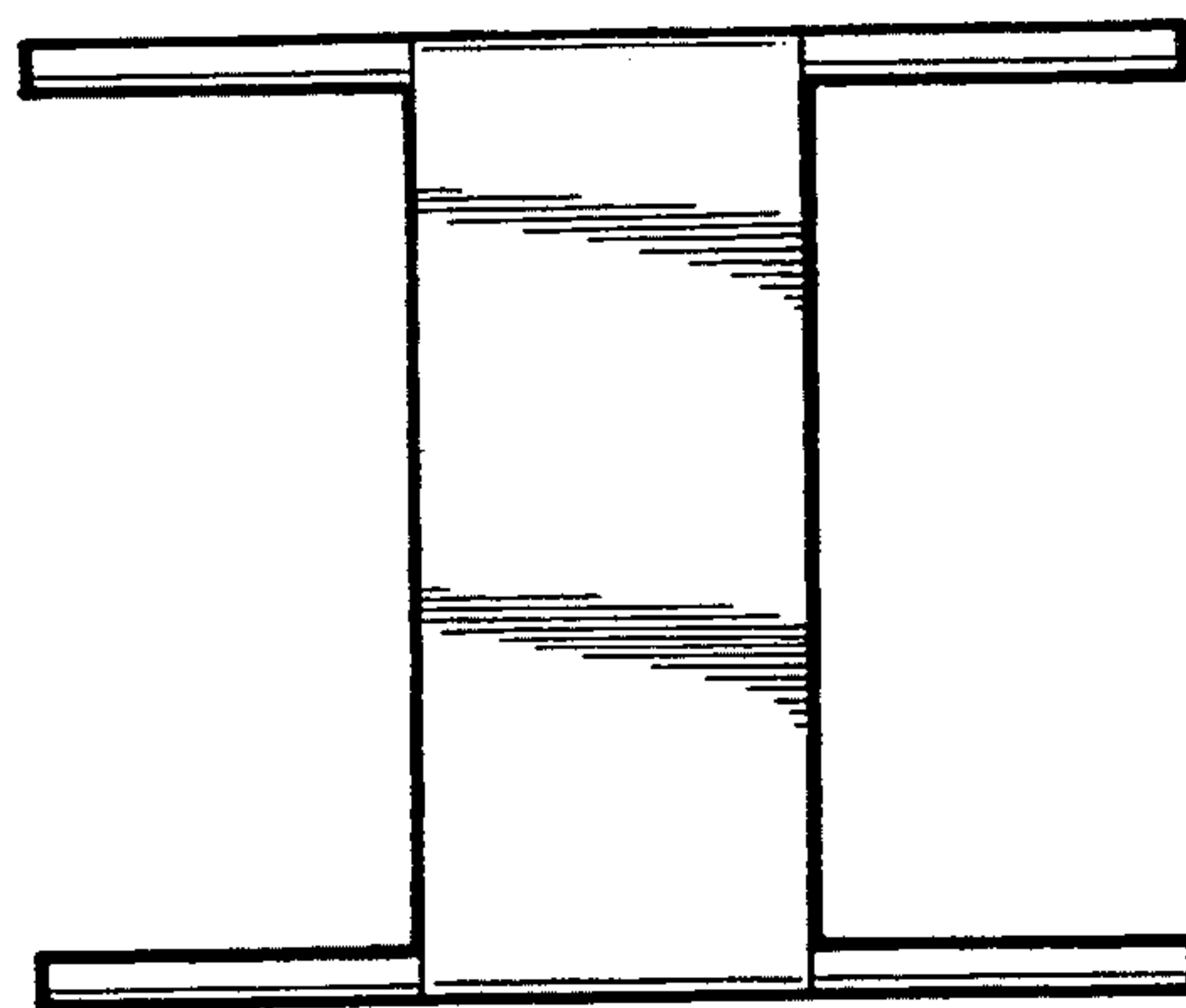


FIGURE 2

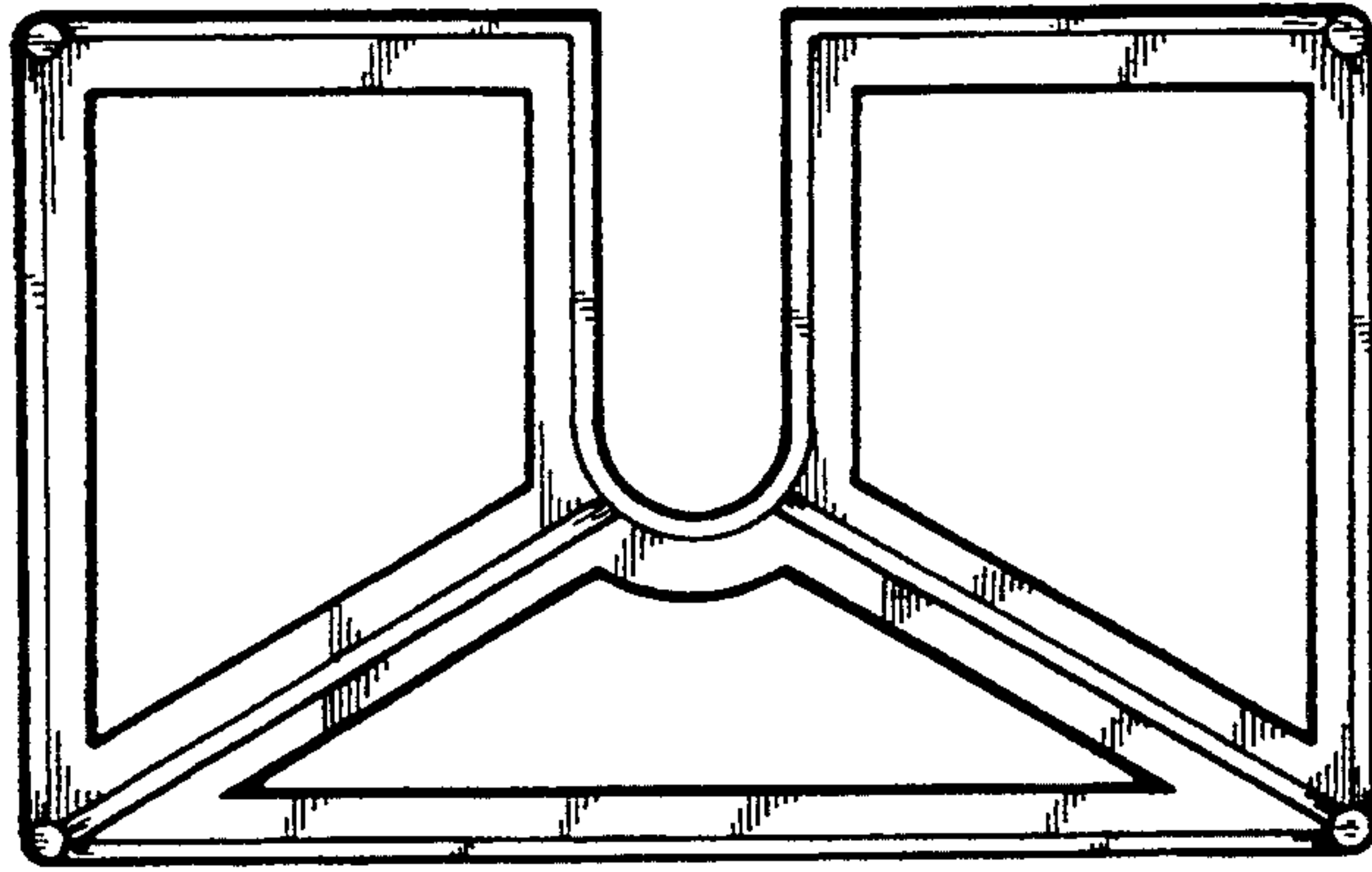


FIGURE 3

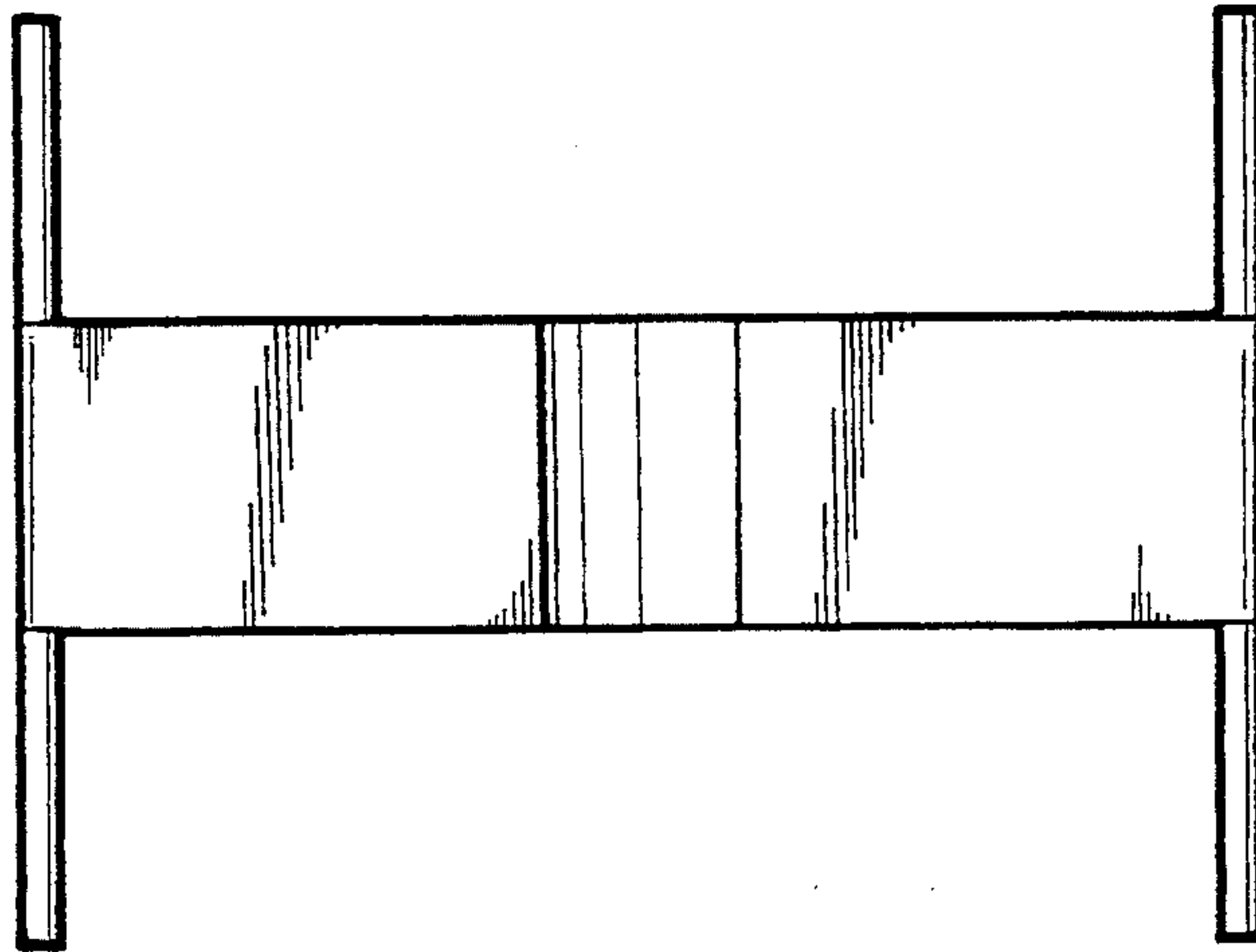


FIGURE 4