



US00D354215S

# United States Patent [19]

[11] Patent Number: **Des. 354,215**

Seals

[45] Date of Patent: **\*\* Jan. 10, 1995**

[54] **COMBINATION BICYCLE COMPONENT CLAMP AND MULTI-PURPOSE TOOL**

4,967,435 11/1990 Seals ..... 7/139  
5,251,341 10/1993 Seals ..... 7/138

[76] Inventor: **Robert L. Seals**, 13524 Autumn La., Chico, Calif. 95926

*Primary Examiner*—Bernard Ansher  
*Assistant Examiner*—Philip Hyder

[\*\*] Term: **14 Years**

[57] **CLAIM**

[21] Appl. No.: **13,224**

The ornamental design for a combination bicycle component clamp and multi-purpose tool, as shown and described.

[22] Filed: **Sep. 21, 1993**

[52] U.S. Cl. .... **D12/115; D8/26; D8/105**

### DESCRIPTION

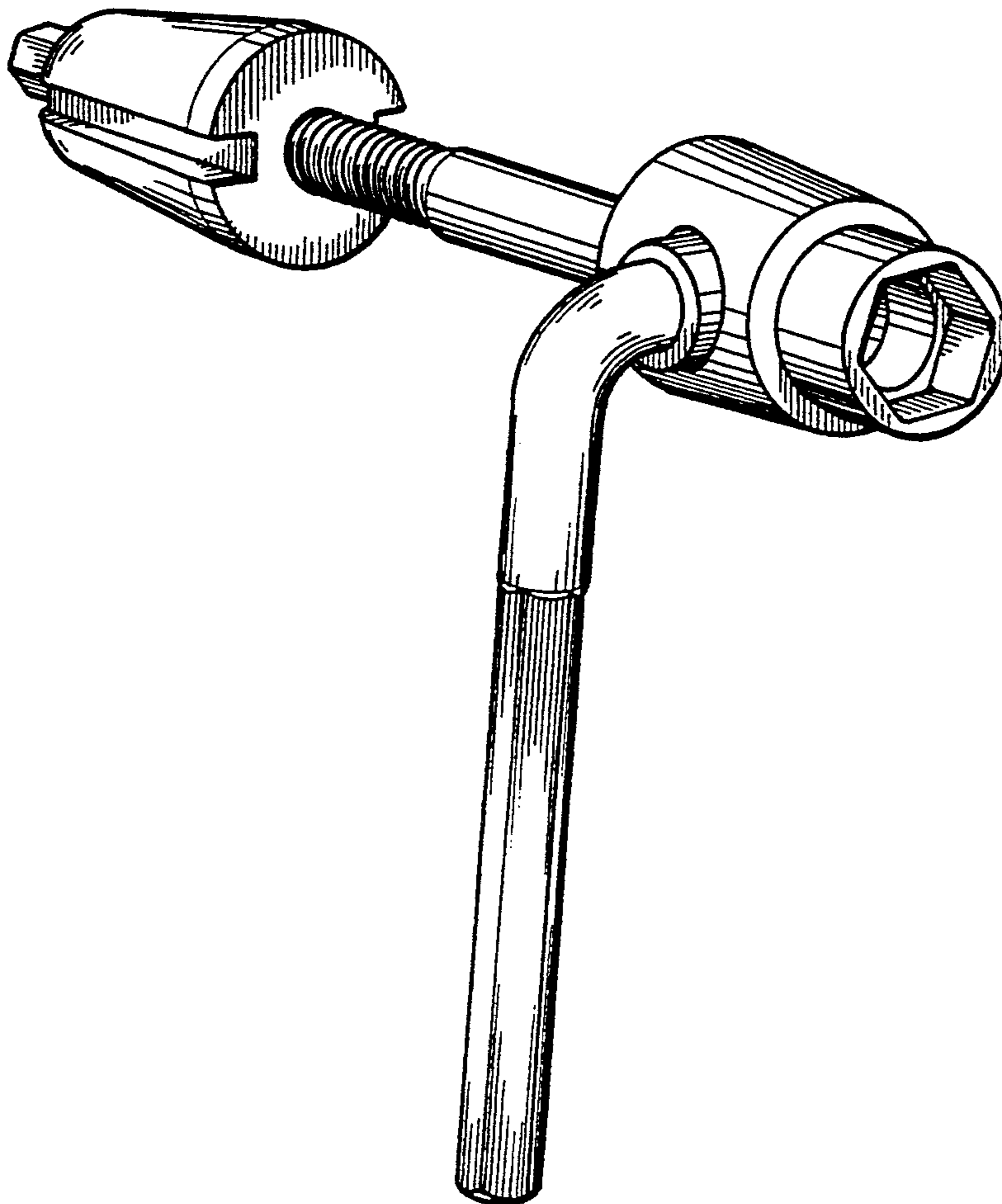
[58] **Field of Search** ..... D8/14, 21, 26, 105; D12/115, 114, 117; 301/124.2, 111; 7/139, 165, 167, 138

FIG. 1 is a left front perspective view of a combination bicycle component clamp and multi-purpose tool showing a first embodiment of my new design; FIG. 2 is a right rear perspective view thereof; FIG. 3 is a left side elevational view thereof; FIG. 4 is a front end elevational view thereof; FIG. 5 is a rear end elevational view thereof; FIG. 6 is a right rear perspective view of a combination bicycle component clamp and multi-purpose tool showing a second embodiment of my new design; FIG. 7 is a left front perspective view thereof; FIG. 8 is a left side elevational view thereof; FIG. 9 is a front end elevational view thereof; and, FIG. 10 is a rear end elevational view thereof.

### [56] References Cited

#### U.S. PATENT DOCUMENTS

D. 243,506	3/1977	Hess	.....	D8/105
D. 308,327	6/1990	Klippel	.....	D8/105
D. 315,122	3/1991	Schramm	.....	D12/115
D. 322,208	12/1991	Shaw	.....	D8/105
4,400,038	8/1983	Hosokawa	.....	301/124.2
4,477,936	10/1984	Weston	.....	7/139
4,789,206	12/1988	Ozaki	.....	301/124.2
4,805,941	2/1989	Downing et al.	.....	301/124.2



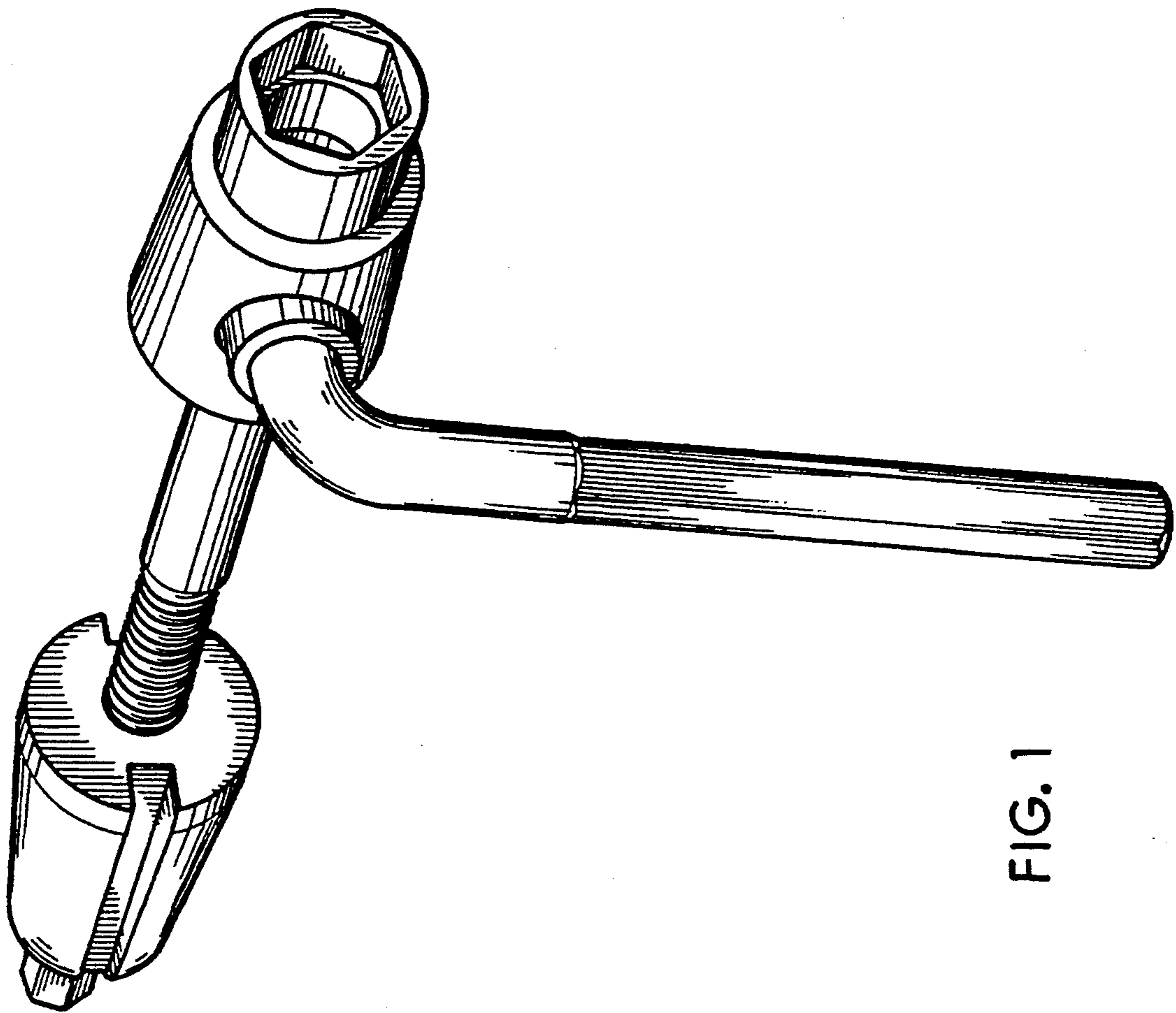


FIG. 1

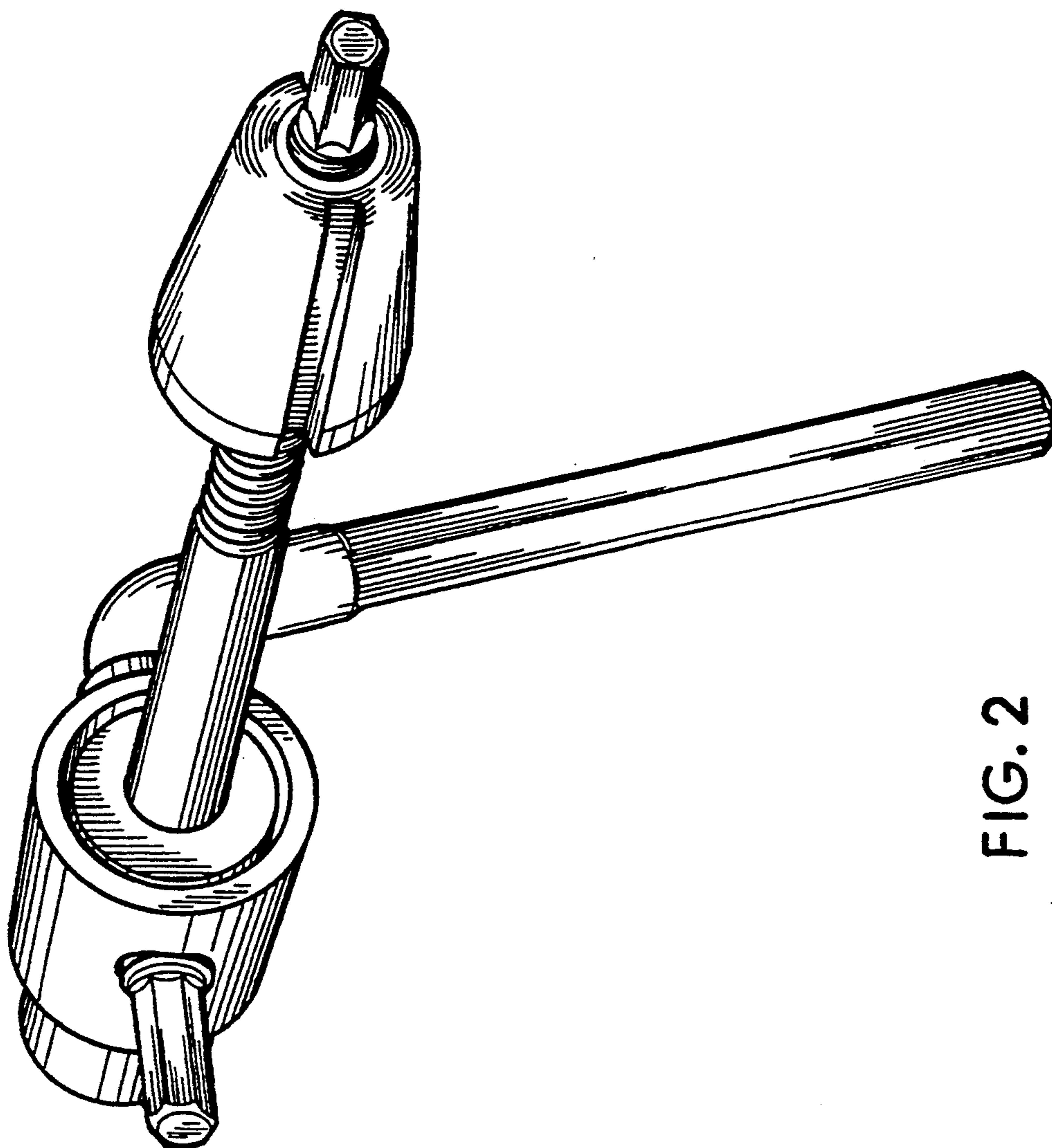


FIG. 2

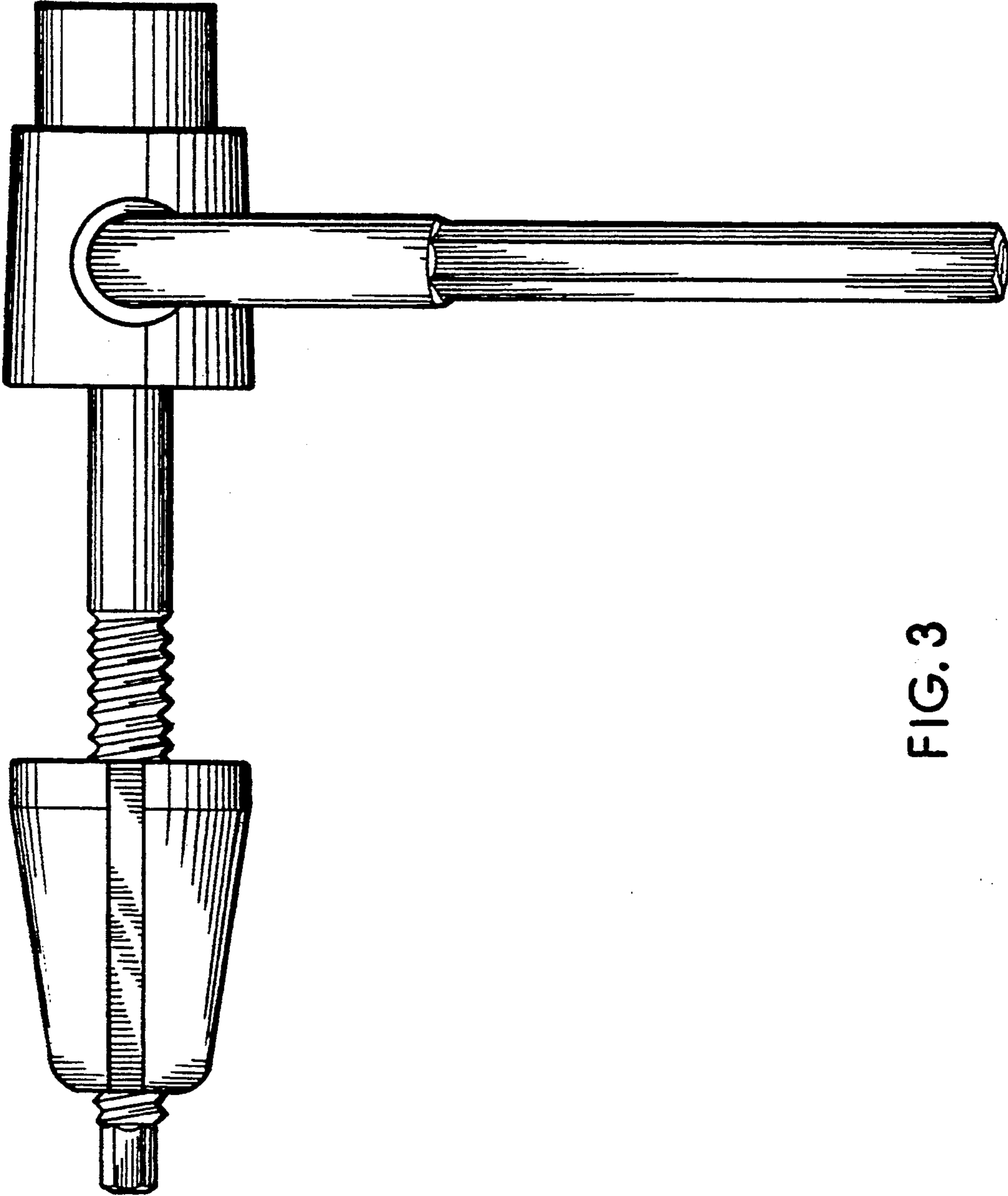


FIG. 3

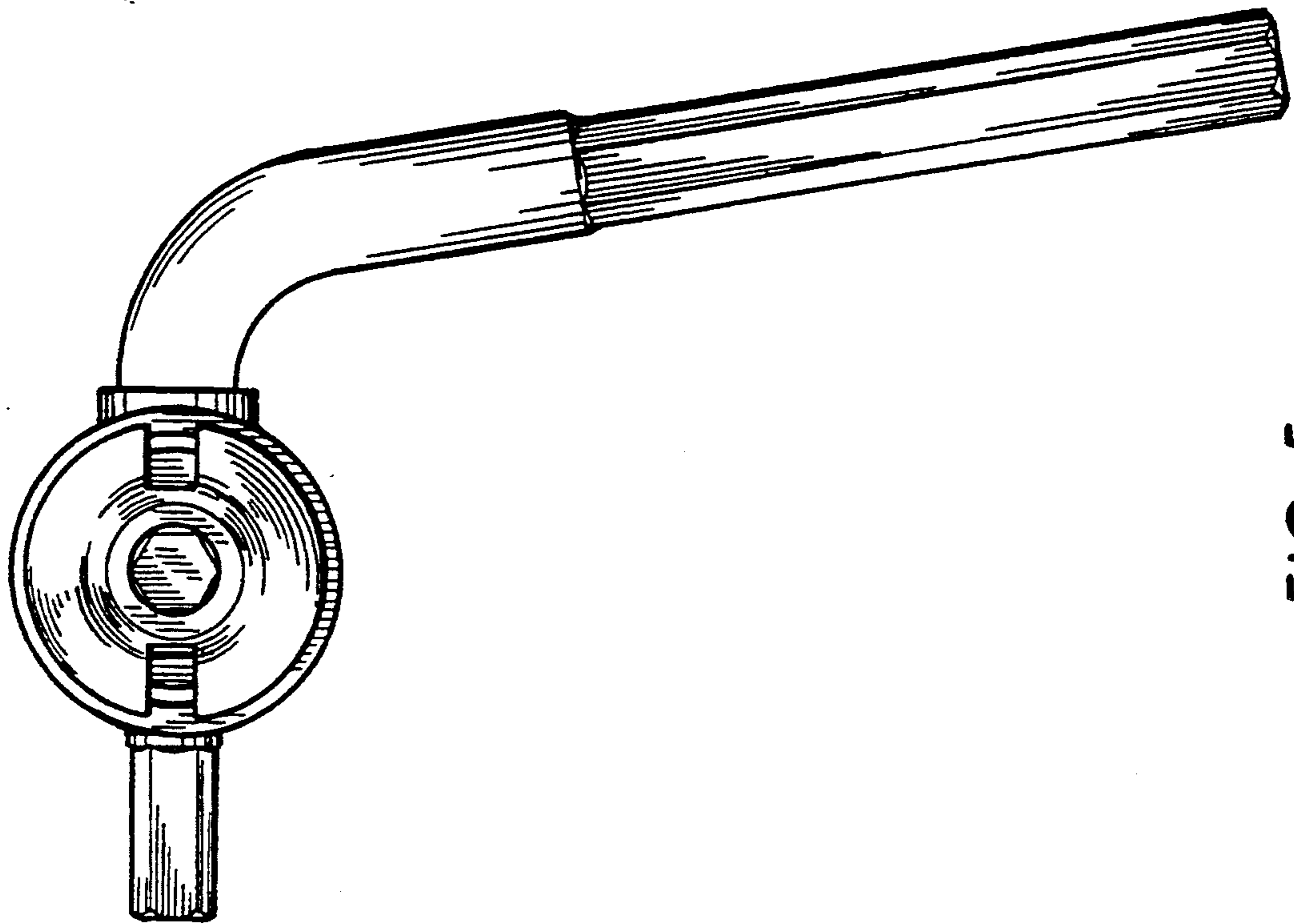


FIG. 4

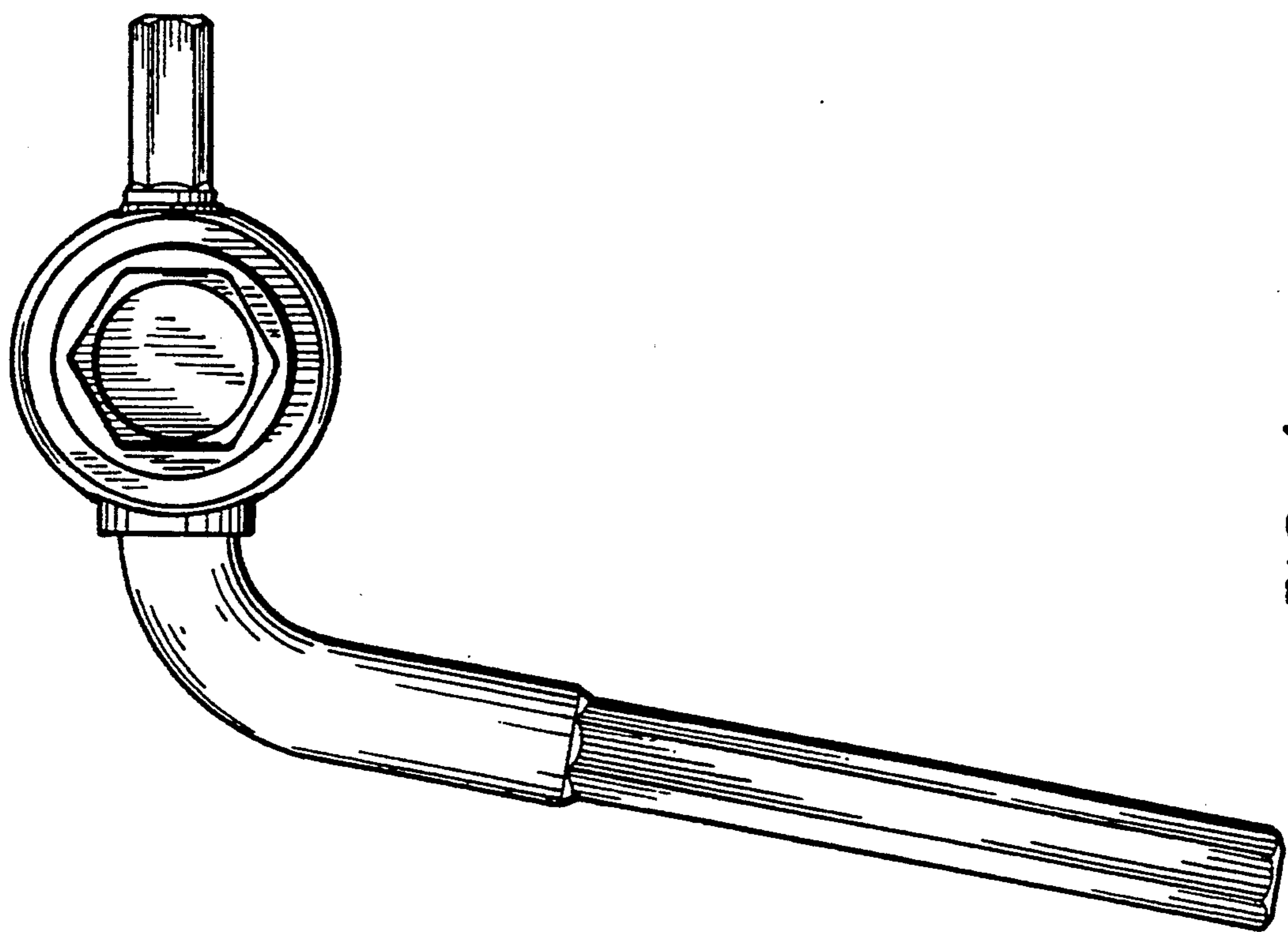


FIG. 5

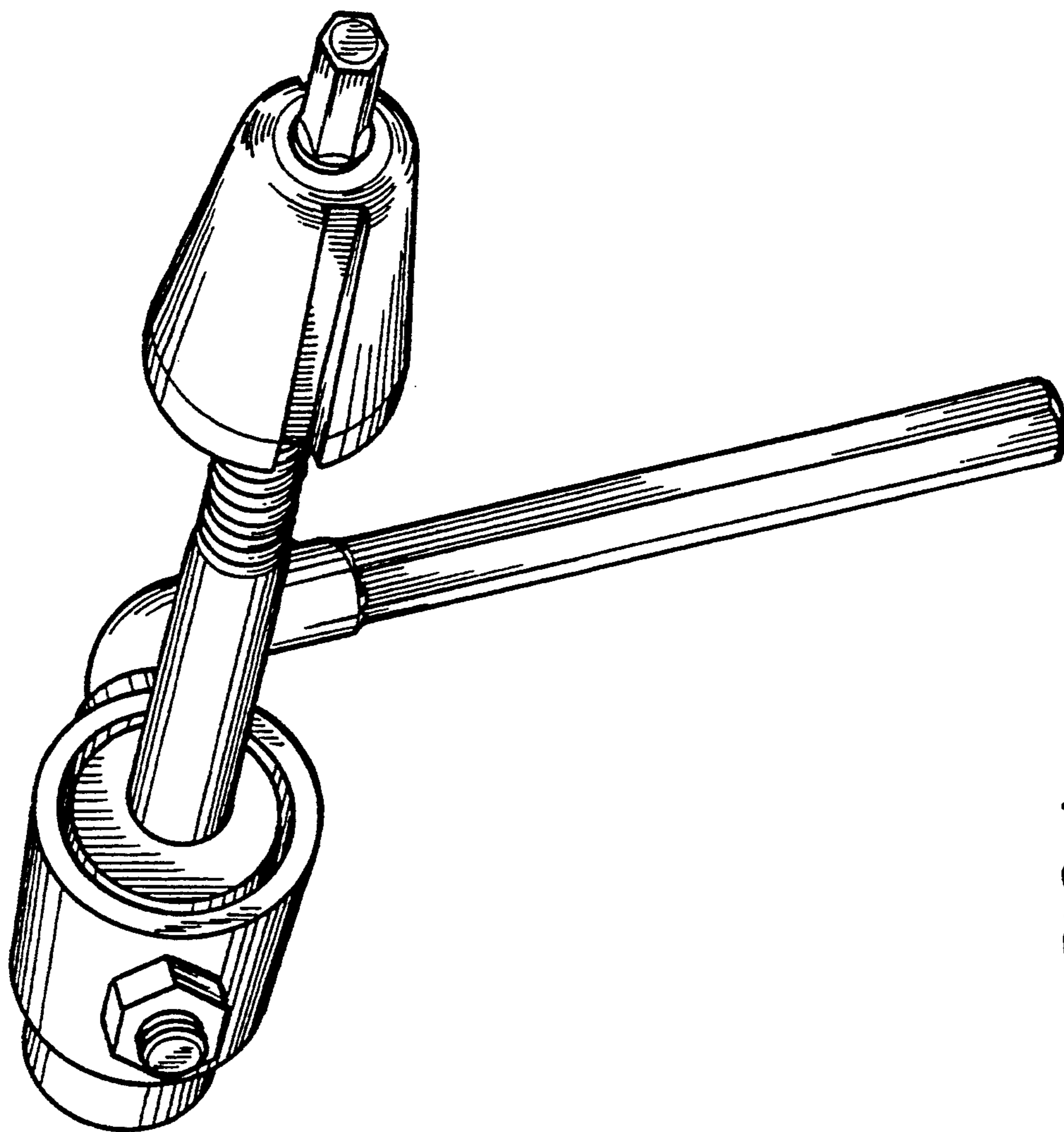


FIG. 6

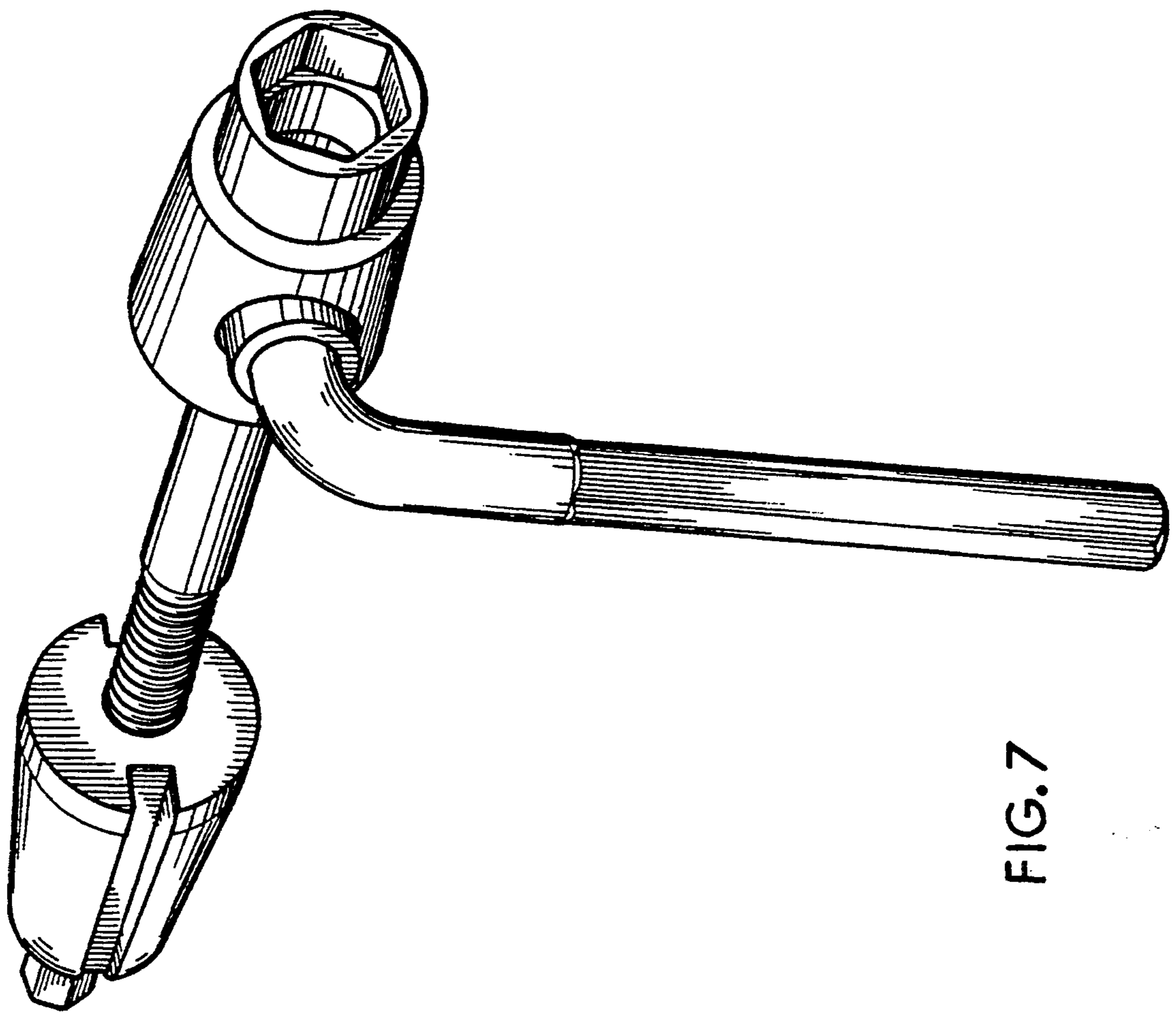


FIG. 7

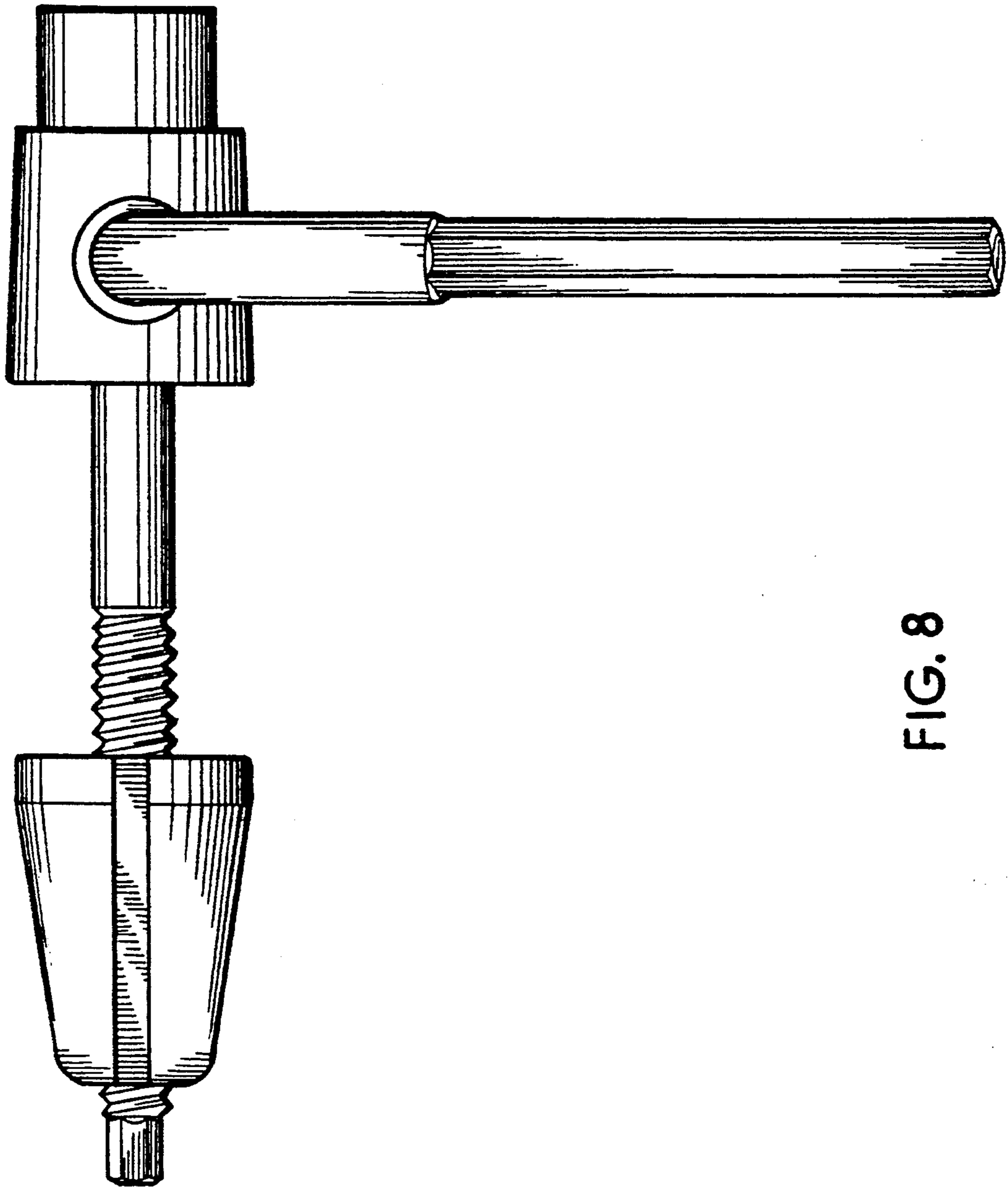


FIG. 8



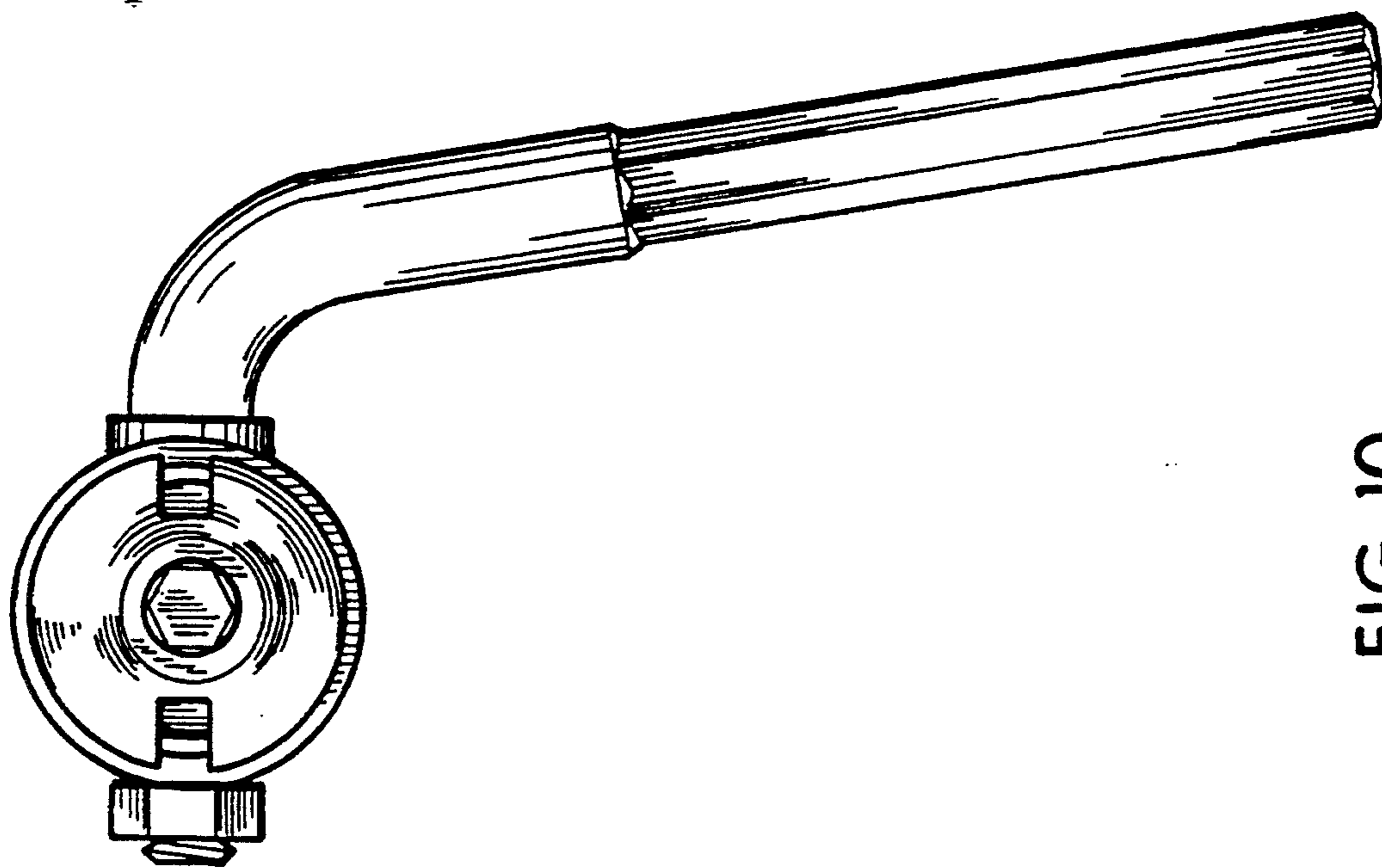


FIG. 10

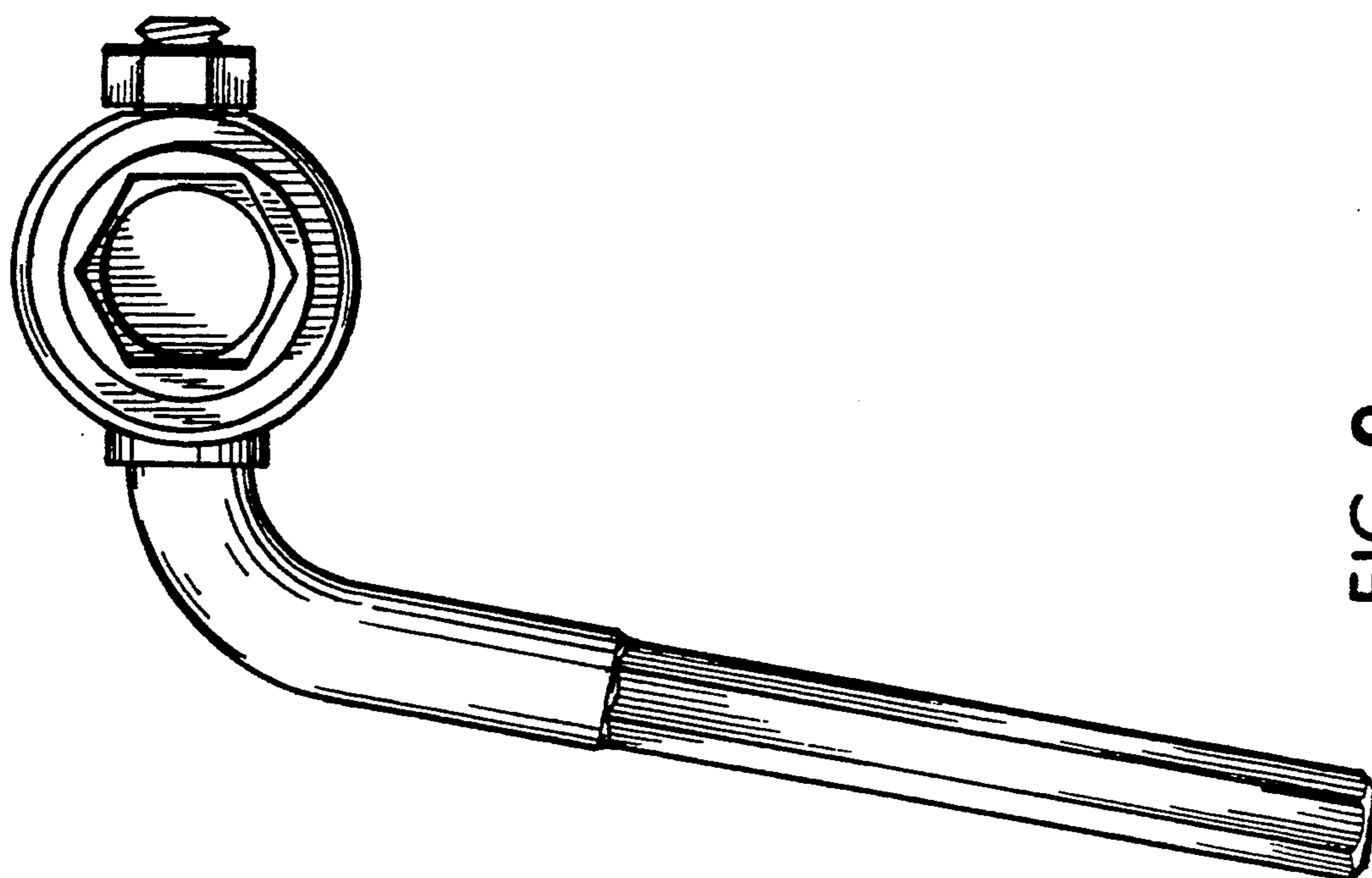


FIG. 9