



US00D354214S

United States Patent [19] Lage

[11] Patent Number: Des. 354,214
[45] Date of Patent: ** Jan. 10, 1995

[54] ENVELOPE OPENER

[75] Inventor: David P. Lage, Manchester, Mo.

[73] Assignee: Quick Point, Inc., Fenton, Mo.

[**] Term: 14 Years

[21] Appl. No.: 6,670

[22] Filed: Apr. 2, 1993

[52] U.S. Cl. D8/103

[58] Field of Search D8/102-104,
D8/98; 30/294, DIG. 3, 2, 314, 315-317

[56] References Cited

U.S. PATENT DOCUMENTS

D. 240,190	6/1976	Cleveland	D8/103
D. 256,883	9/1980	Wharmby	D8/98
D. 306,394	3/1990	Koenig	D8/102
D. 329,183	9/1992	Lage et al.	D8/102
D. 329,184	9/1992	Lage et al.	D8/103
D.329,584	9/1992	Shevin et al.	D8/102
D. 342,008	12/1993	Lage et al.	D8/103
1,553,449	9/1925	Kennedy	.	
2,291,294	7/1942	Holste	30/294
2,439,639	4/1948	Tilly	30/294
2,442,694	6/1948	Keiser	30/289
2,535,555	12/1950	Tilly	30/125
2,599,439	6/1952	Drake	30/151
3,009,248	11/1961	Tilly	30/294
3,028,670	4/1962	Tilly	30/294
3,290,780	12/1966	Oehlert	30/294
4,530,154	7/1985	DiCarlo	30/294
5,285,577	2/1994	Carney et al.	30/294

FOREIGN PATENT DOCUMENTS

407789 11/1944 Italy .

59068 3/1947 Netherlands 30/294

OTHER PUBLICATIONS

Quick Point catalog, 1981, title page and p. 30.

Quick Point catalog, 1990, title page and pp. 29, 30 and 53.

Primary Examiner—Melvin B. Feifer

Assistant Examiner—Adir Aronovich

Attorney, Agent, or Firm—Polster, Lieder, Woodruff & Lucchesi

[57] CLAIM

The ornamental design for an envelope opener, as shown and described.

DESCRIPTION

FIG. 1 is a top perspective view of an envelope opener showing my new design;

FIG. 2 is a bottom view of the letter opener thereof;

FIG. 3 is a left side elevational view thereof;

FIG. 4 is a right side elevational view thereof;

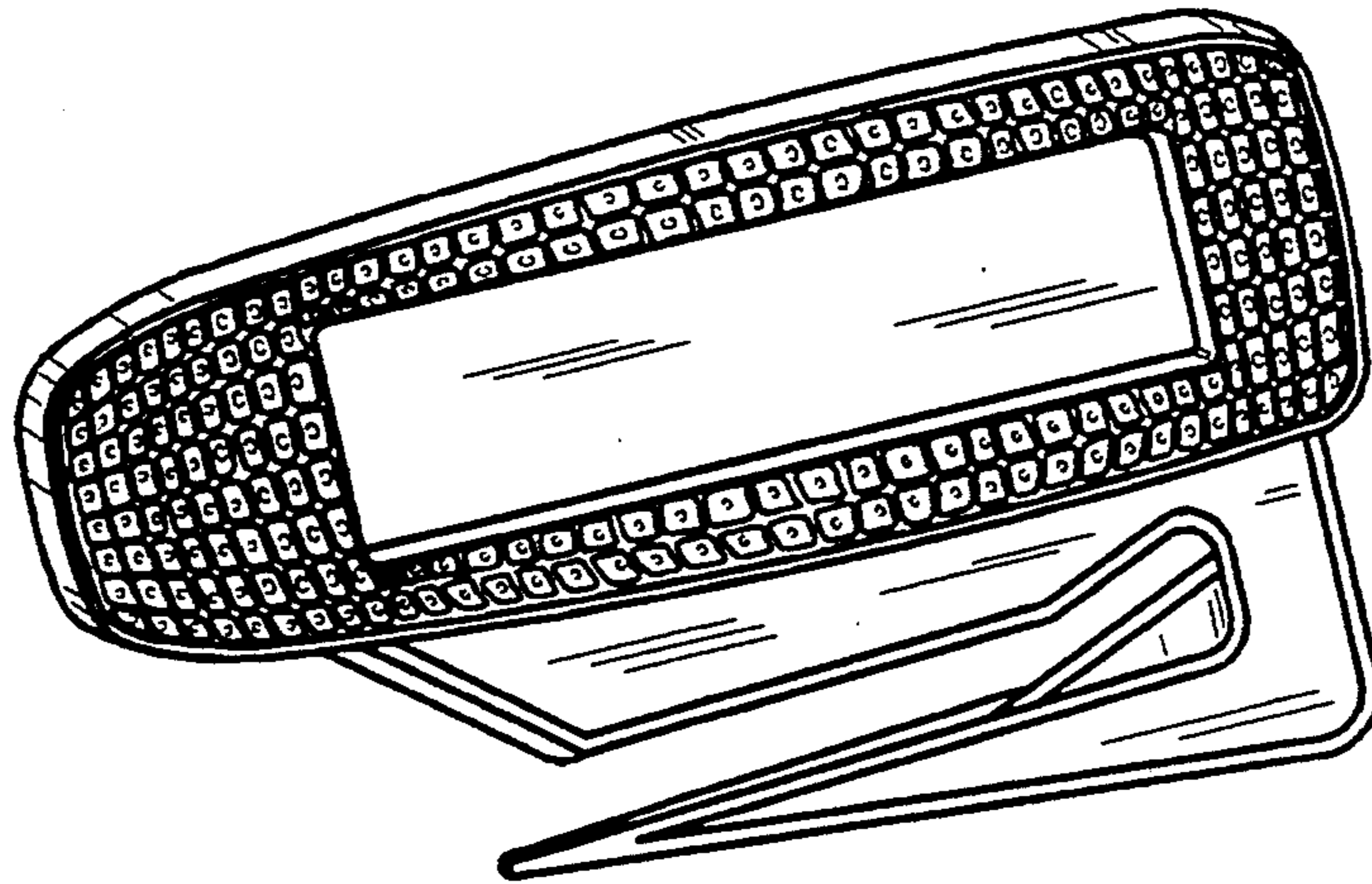
FIG. 5 is a sectional view taken along line 5—5 of FIG. 2;

FIG. 6 is a rear edge elevational view of the envelope opener of this invention;

FIG. 7 is a front edge elevational view of the envelope opener of this invention;

FIG. 8 is a bottom view of a modification of the envelope opener, the top plan, left, right, rear and front edge views being the same as in FIGS. 1, 3, 4, 5, 6 and 7; and,

FIG. 9 is a sectional view taken along line 9—9 of FIG. 8.



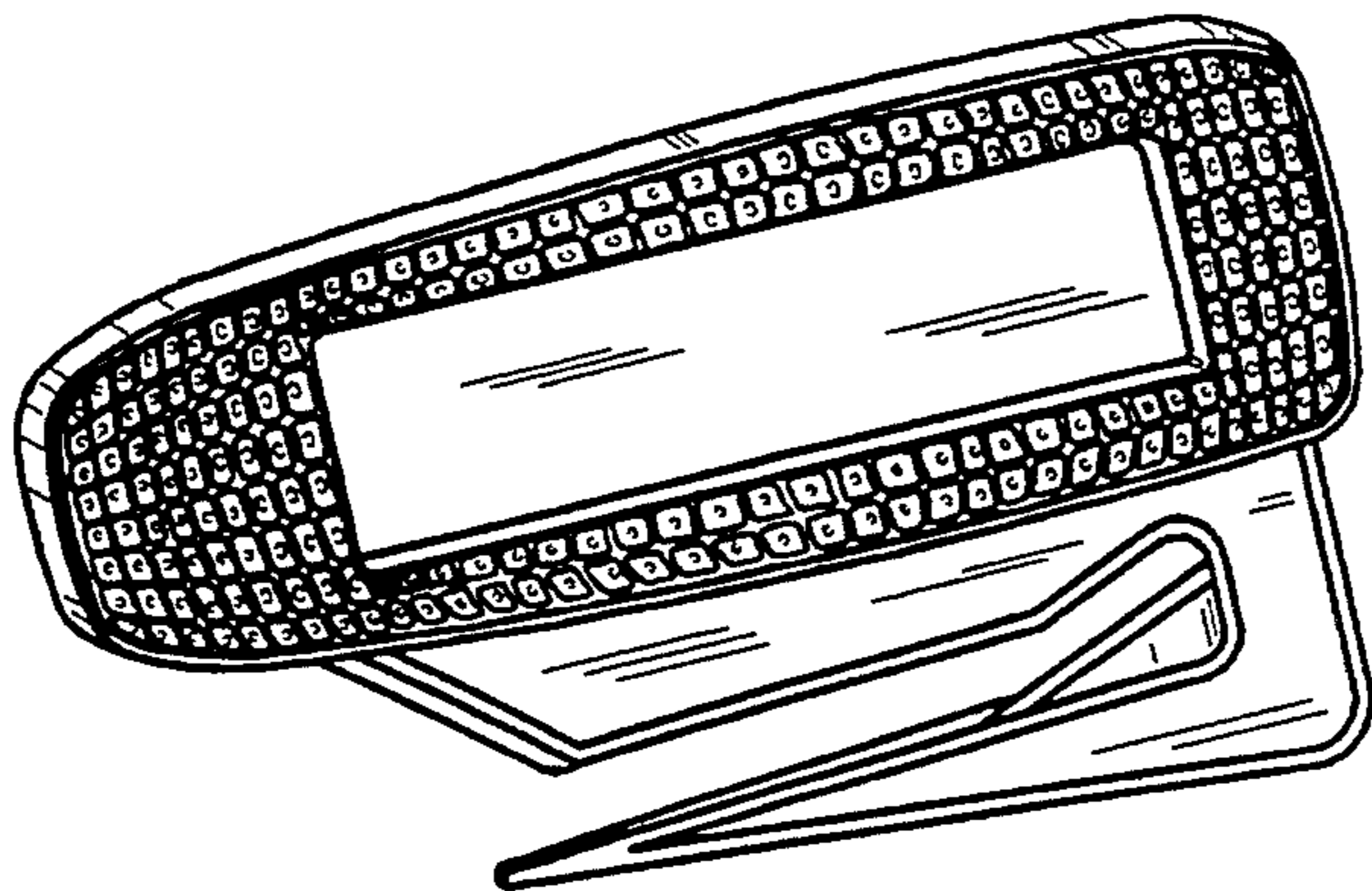


FIG. 1

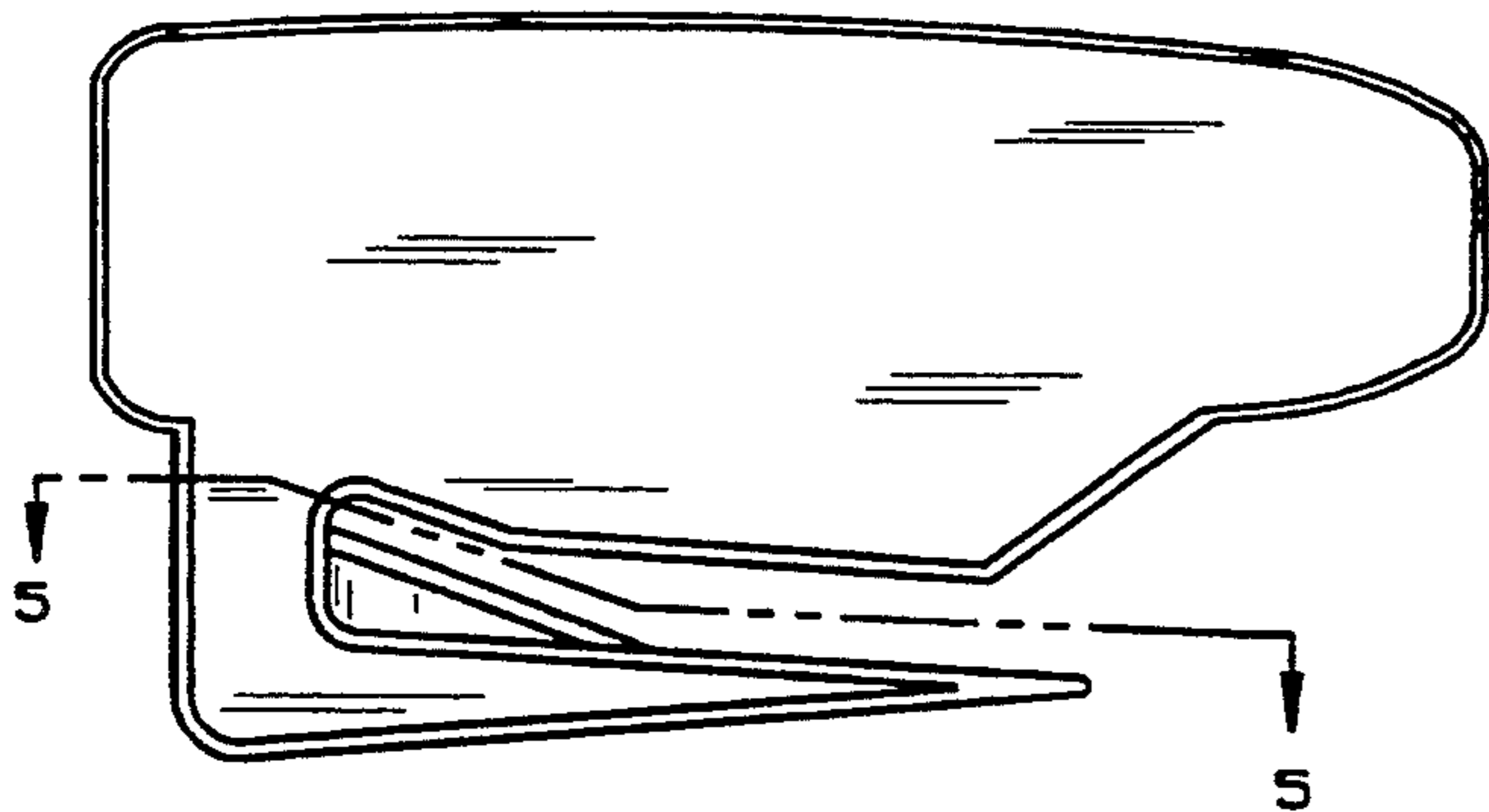


FIG. 2



FIG. 3



FIG. 4



FIG. 5



FIG. 6



FIG. 7

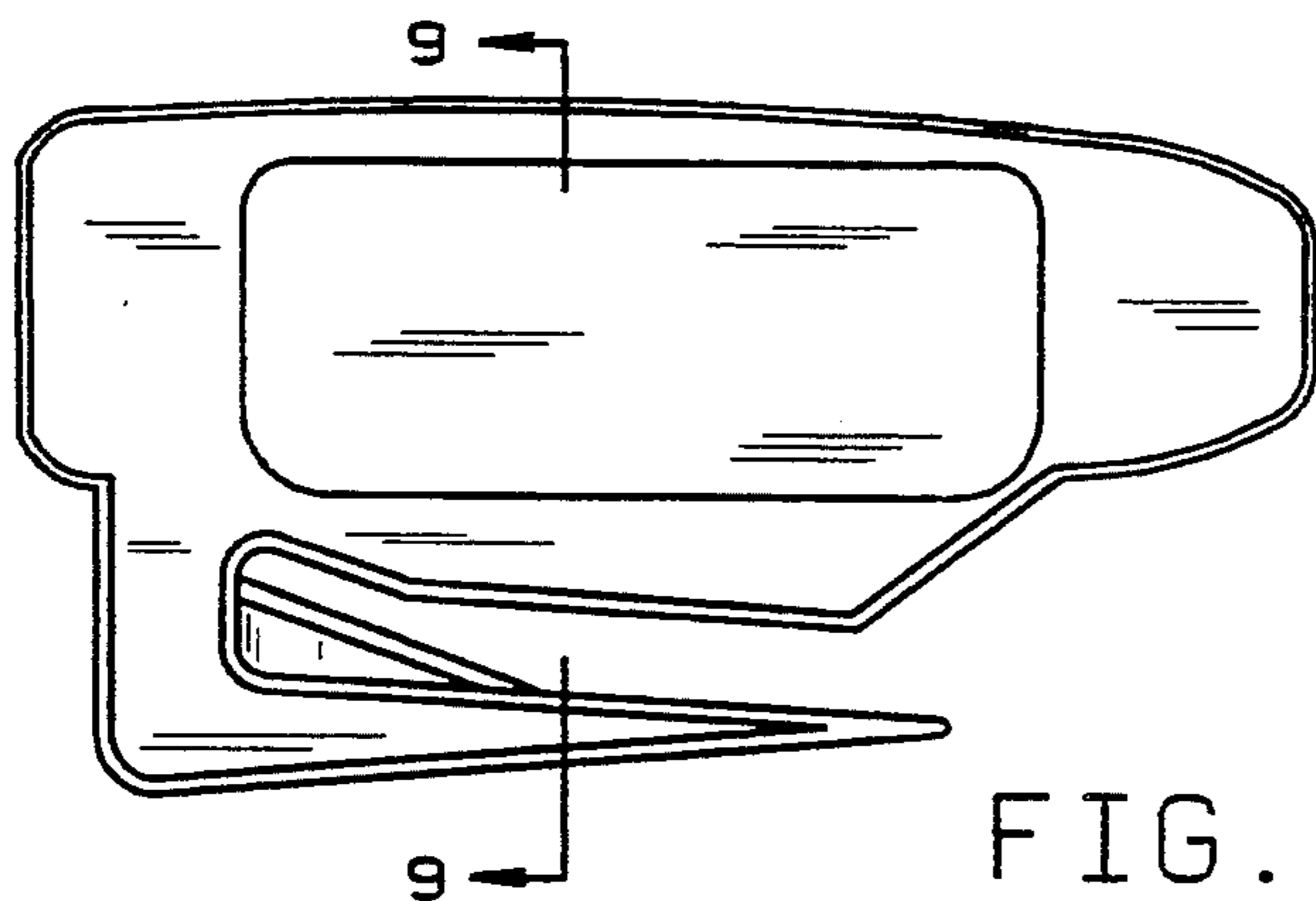


FIG. 8



FIG. 9