



US00D354213S

United States Patent [19]

[11] Patent Number: **Des. 354,213**

French

[45] Date of Patent: **** Jan. 10, 1995**

[54] **COMBINED CASE AND SEAT BELT CUTTING TOOL**

[76] Inventor: **Larry W. French, Rural Route #2, Tillsonburg, Ontario, Canada, N4G 4G7**

[**] Term: **14 Years**

[21] Appl. No.: **950,050**

[22] Filed: **Sep. 24, 1992**

[52] U.S. Cl. **D8/98**

[58] Field of Search **D8/98, 99; D28/83; D9/420; 30/294, 314, 317, 286, 315, 316**

[56] **References Cited**

U.S. PATENT DOCUMENTS

D. 118,781	1/1940	Landwehr	D28/83
D. 119,798	4/1940	Zell	D28/83
D. 254,243	2/1980	Florian et al.	D8/98
D. 282,300	1/1986	Bakic	D28/83
D. 285,414	9/1986	Goetz et al.	D28/83
D. 287,418	12/1986	Trabattoni	D28/83
D. 294,797	3/1988	Itoh	D8/98
3,673,687	7/1972	Phillips et al.	30/294
4,062,117	12/1977	Coleman	30/294
4,134,206	1/1979	Beermann	30/294
5,046,253	9/1991	Ireland	30/294

FOREIGN PATENT DOCUMENTS

2568162 1/1986 France 30/314

Primary Examiner—Melvin B. Feifer
Assistant Examiner—Philip Hyder
Attorney, Agent, or Firm—Hugh E. Smith

[57] **CLAIM**

The ornamental design for a combined case and seat belt cutting tool, as shown and described.

DESCRIPTION

FIG. 1 is a front elevational view of the combined case and seat belt cutting tool showing my new design; FIG. 2 is a rear elevational view thereof; FIG. 3 is a left side elevational view thereof; FIG. 4 is a right side elevational view thereof; FIG. 5 is a top plan view thereof; FIG. 6 is a bottom plan view thereof; FIG. 7 is an isometric view thereof, shown with the cutting tool in an alternate position; FIG. 8 is an enlarged bottom perspective view of the cutting tool the case being omitted from the view for clarity of illustration; and, FIG. 9 is an enlarged rear perspective view thereof the case being omitted from the view for clarity of illustration.

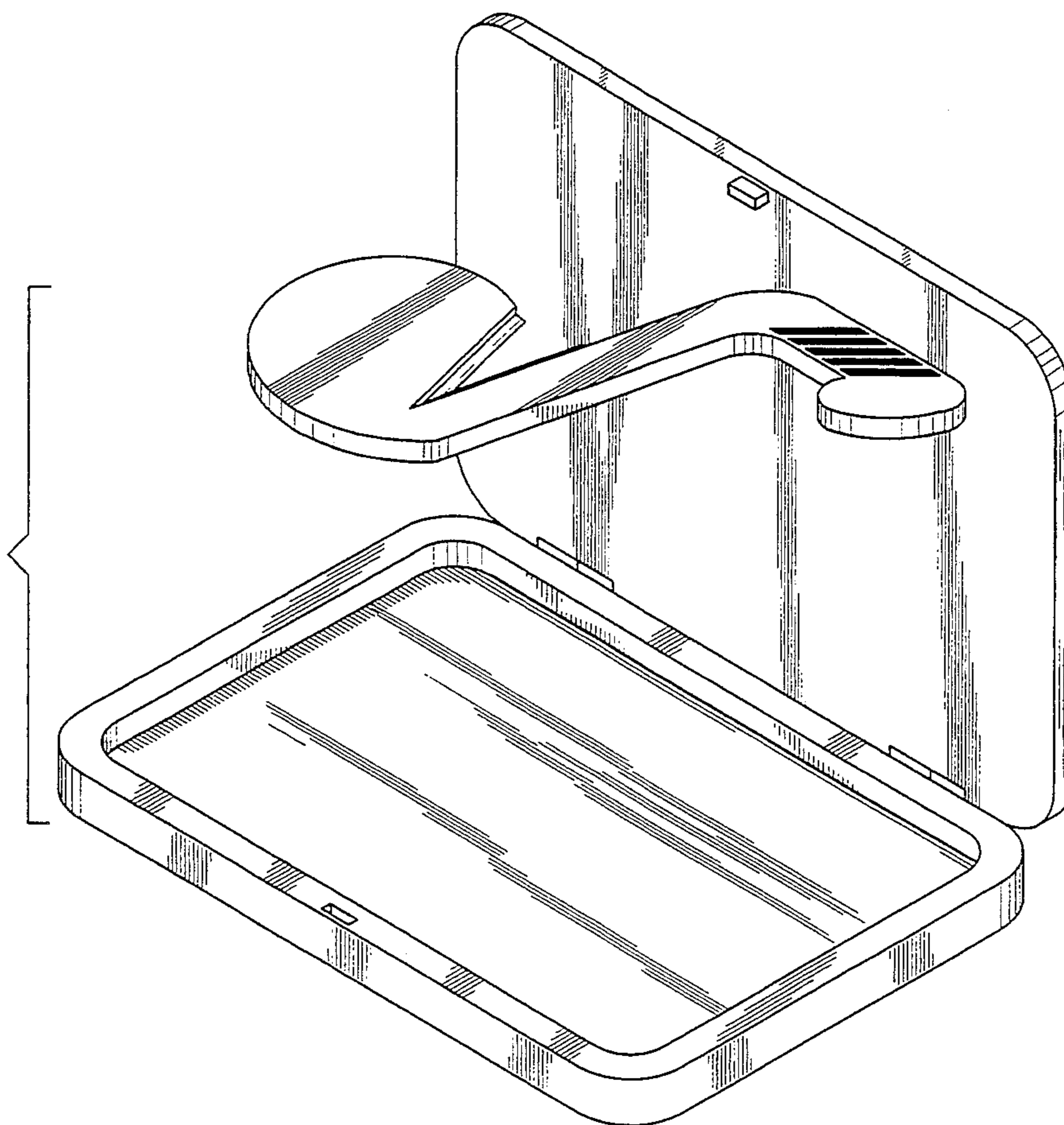


FIG. 1

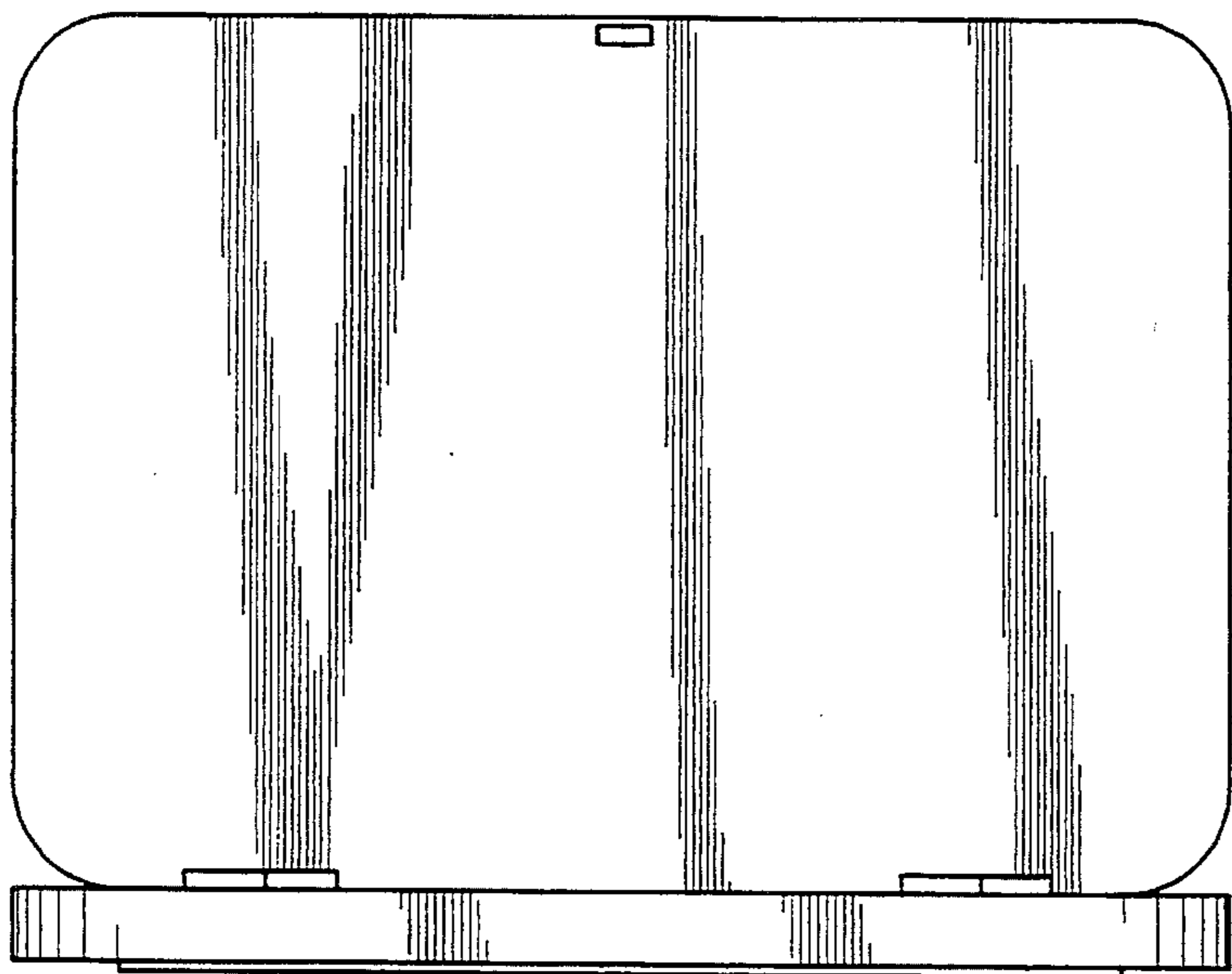


FIG. 2

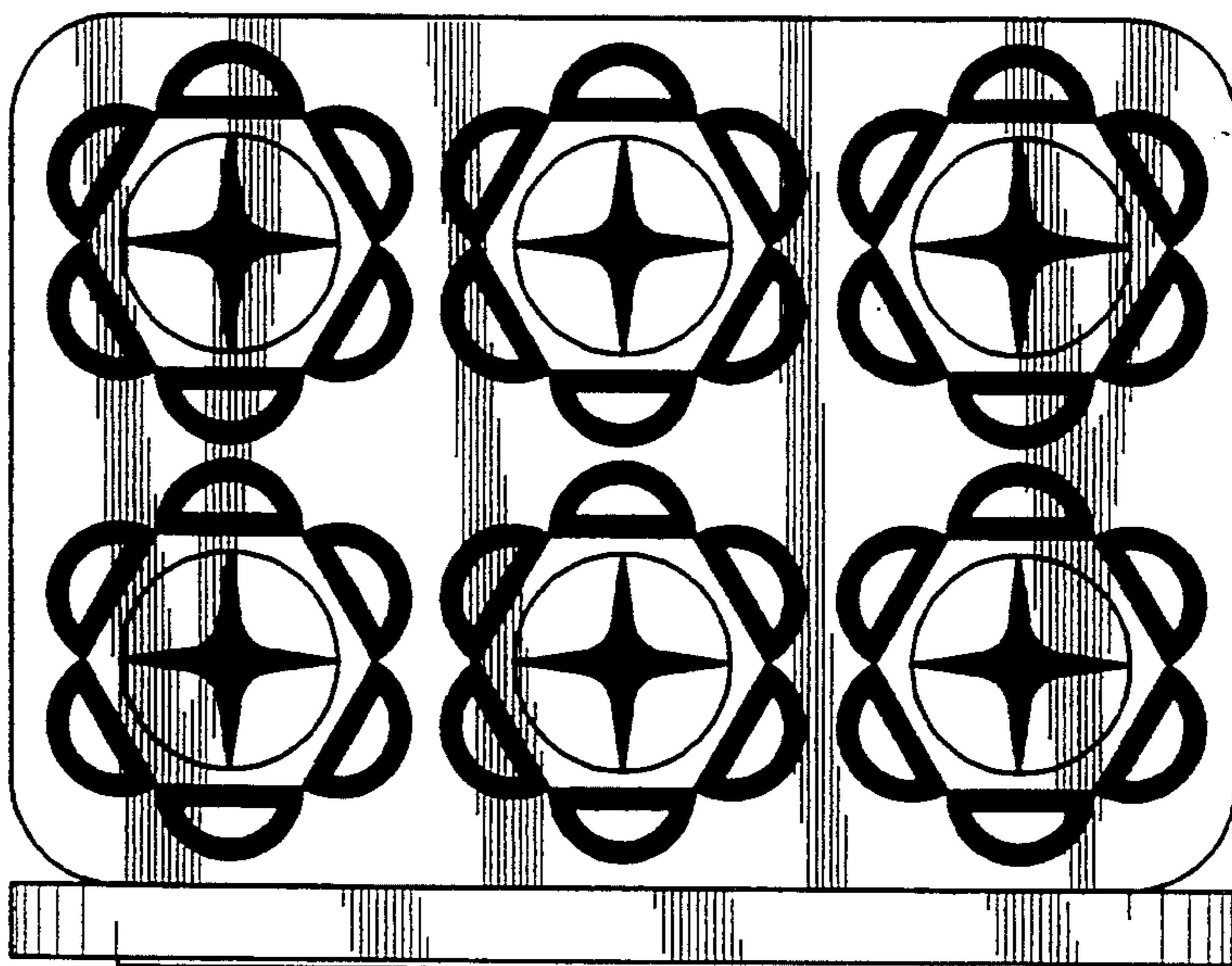


FIG. 3

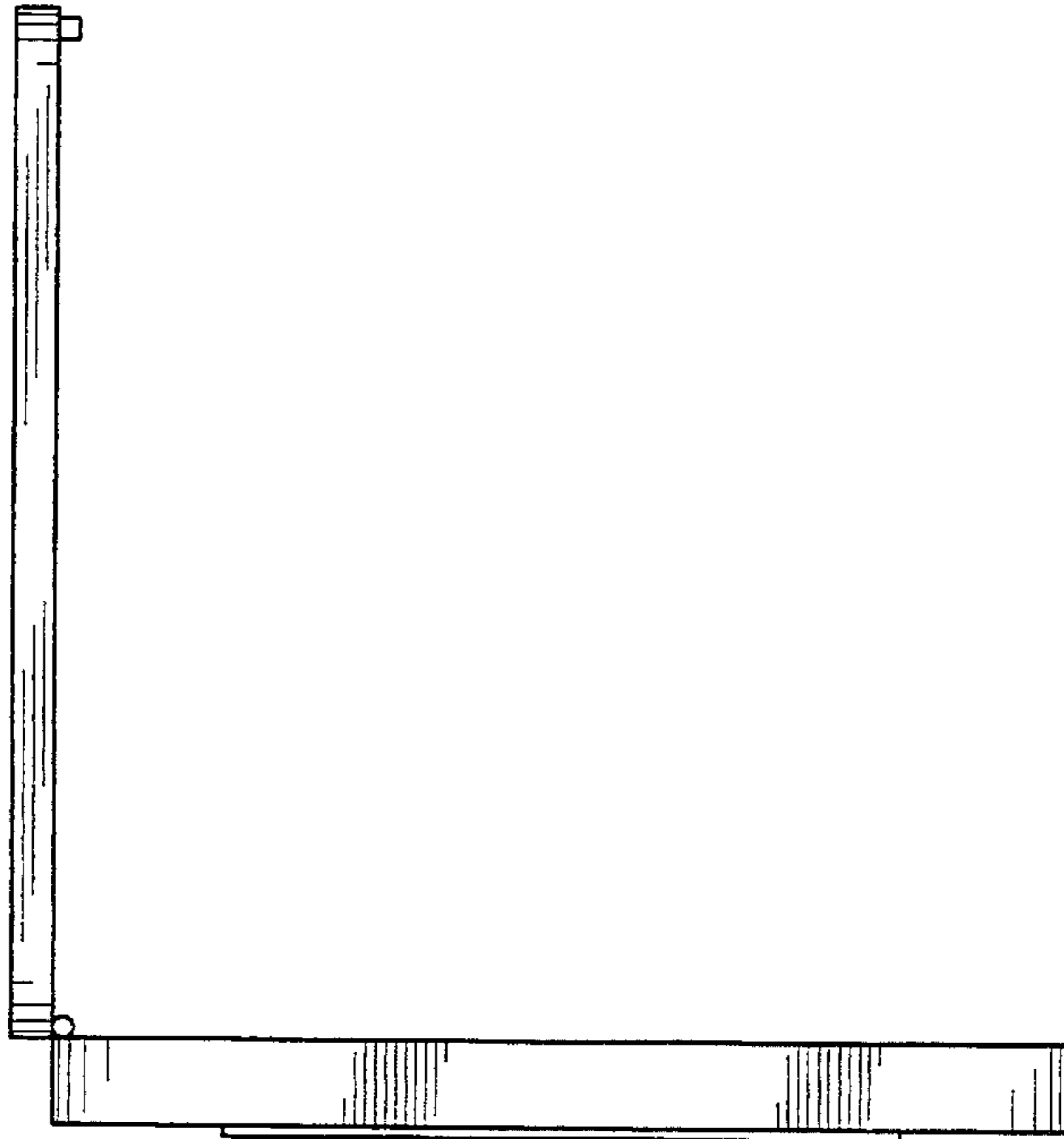


FIG. 4

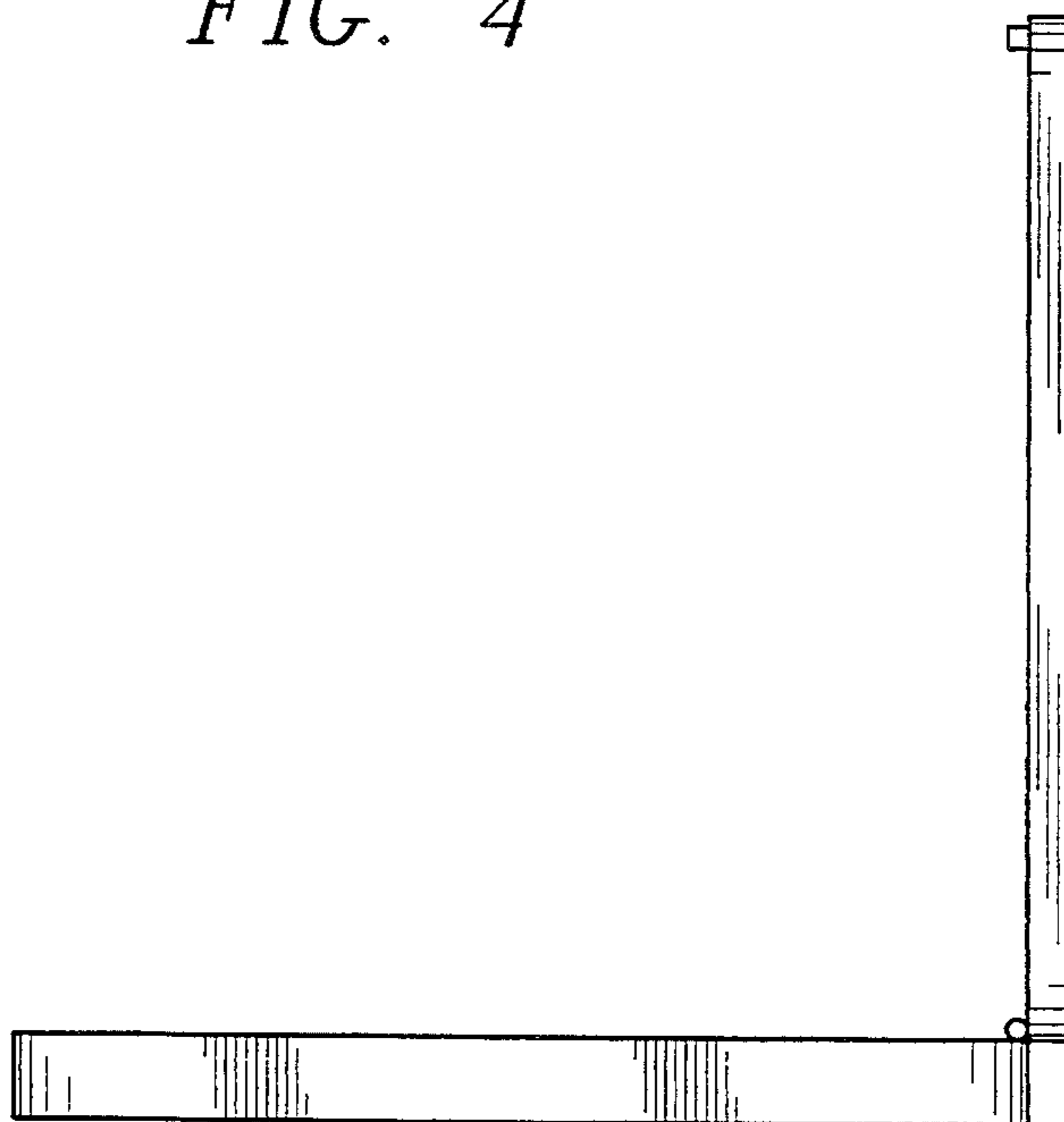


FIG. 5

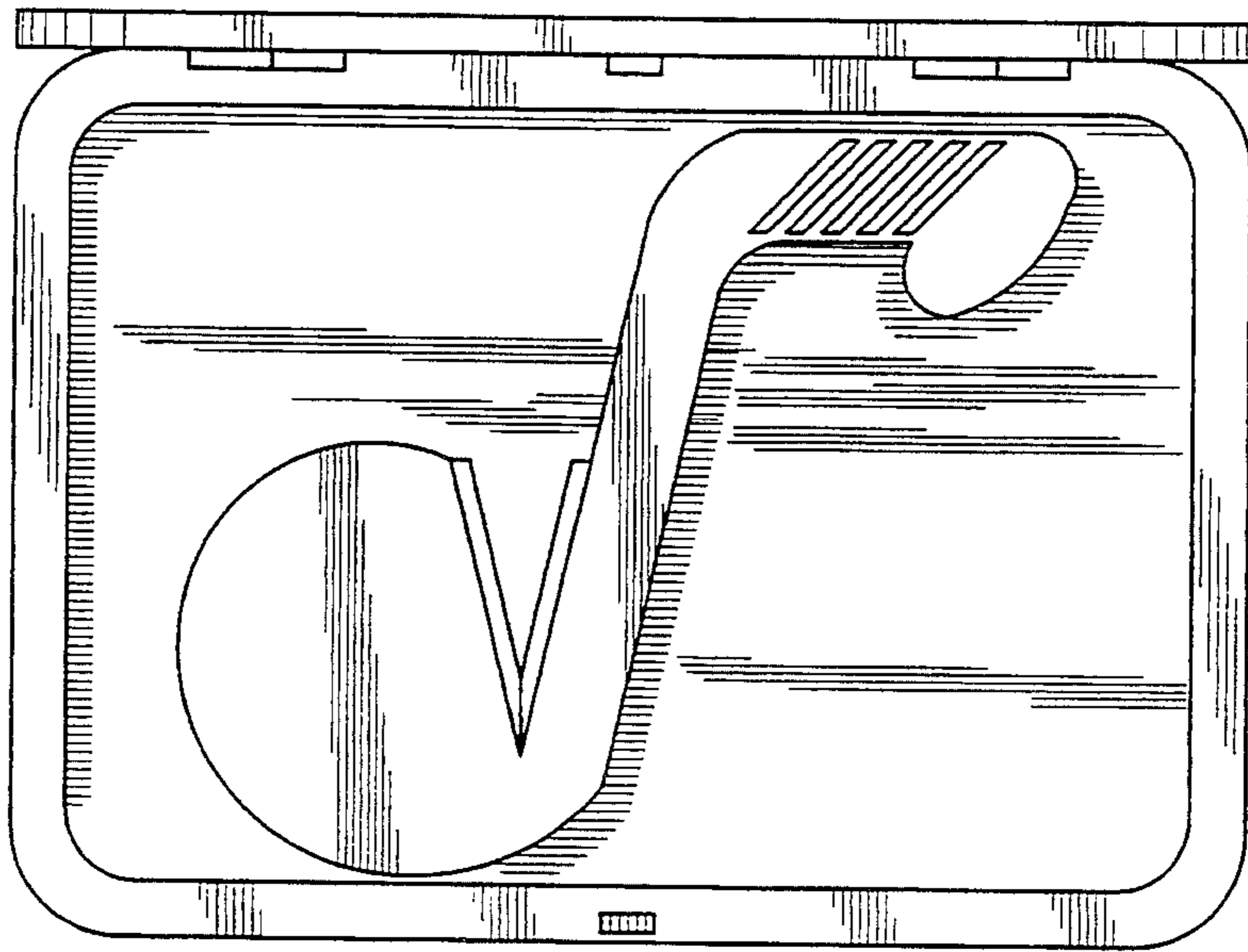


FIG. 6

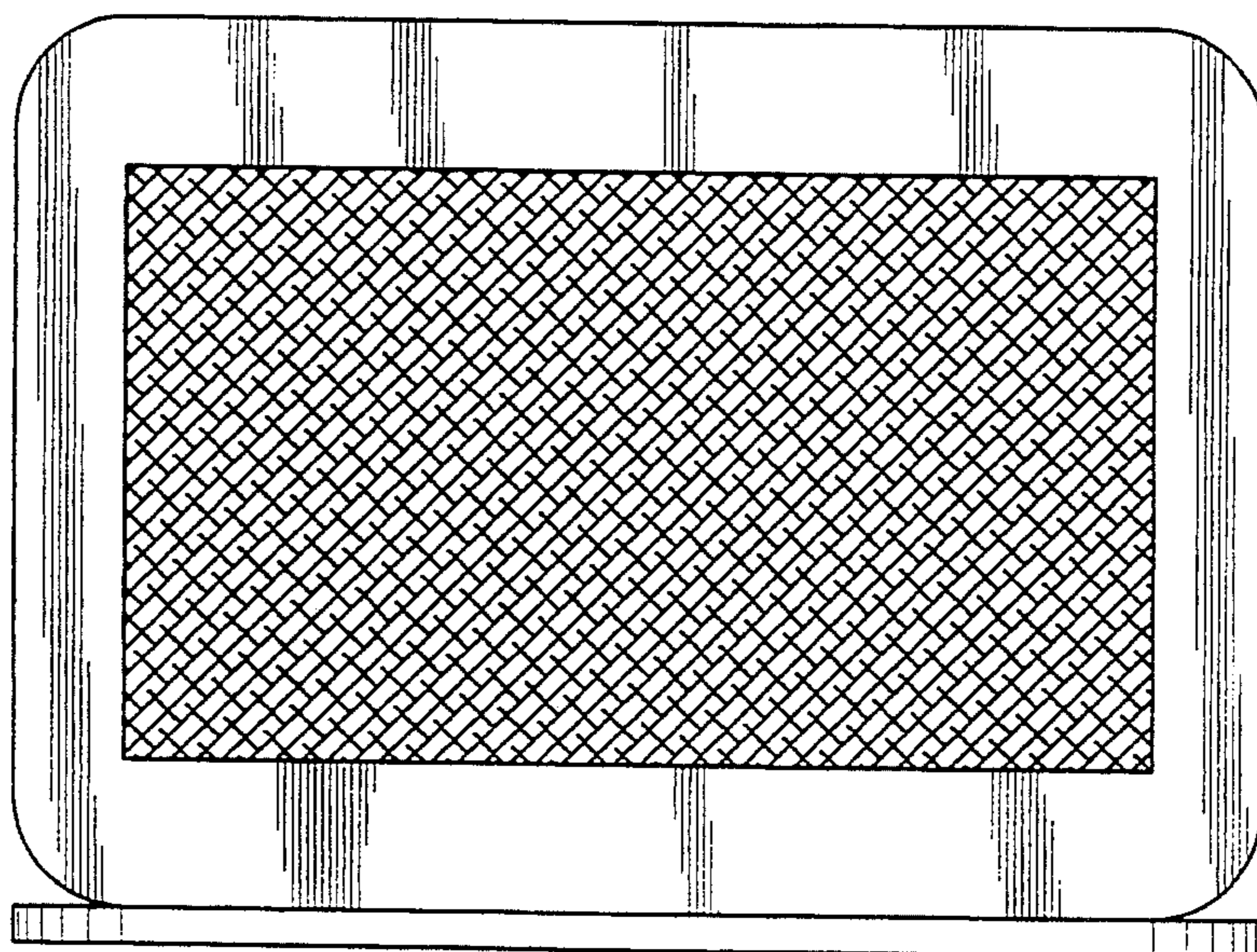


FIG. 7

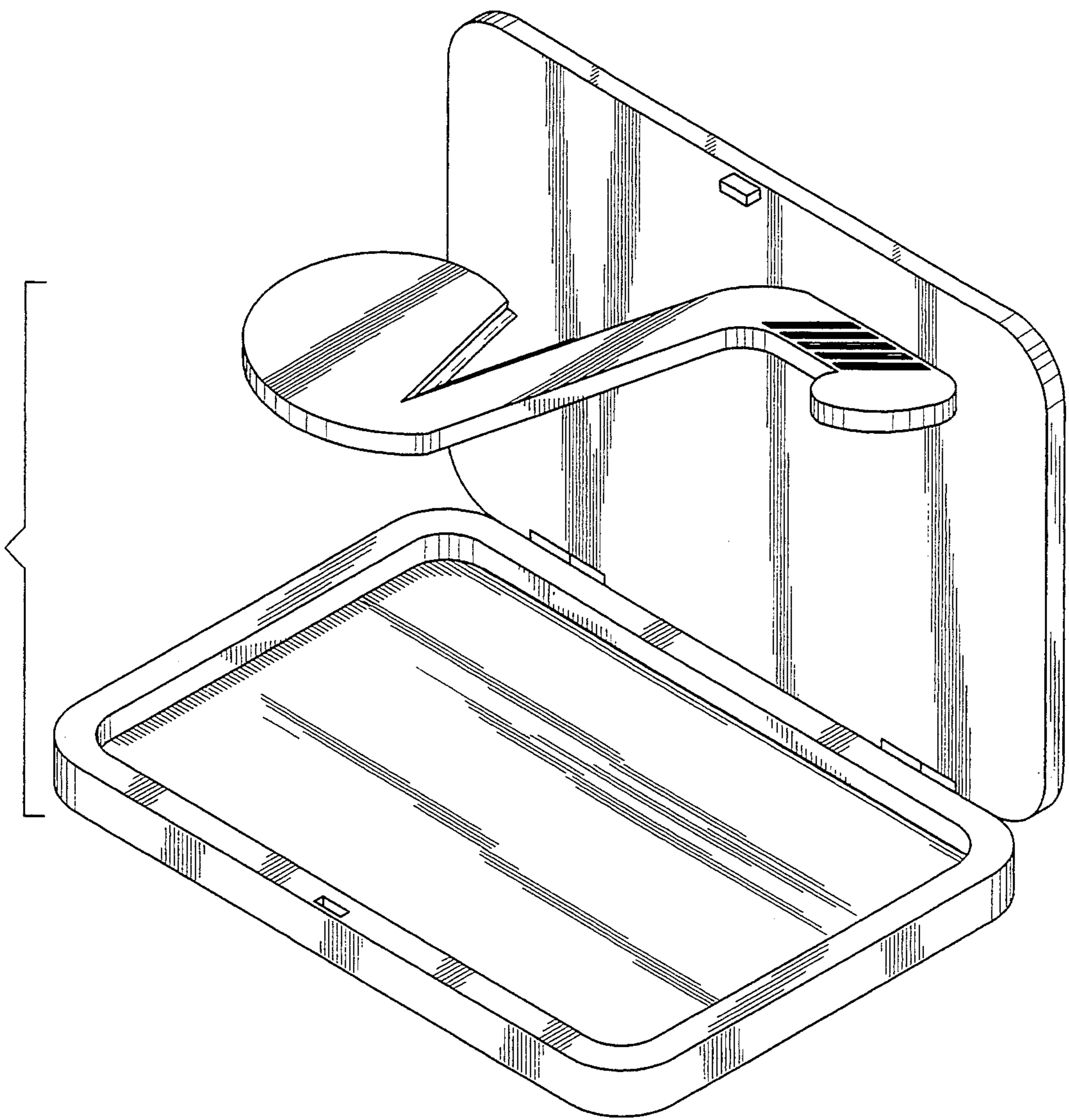


FIG. 8

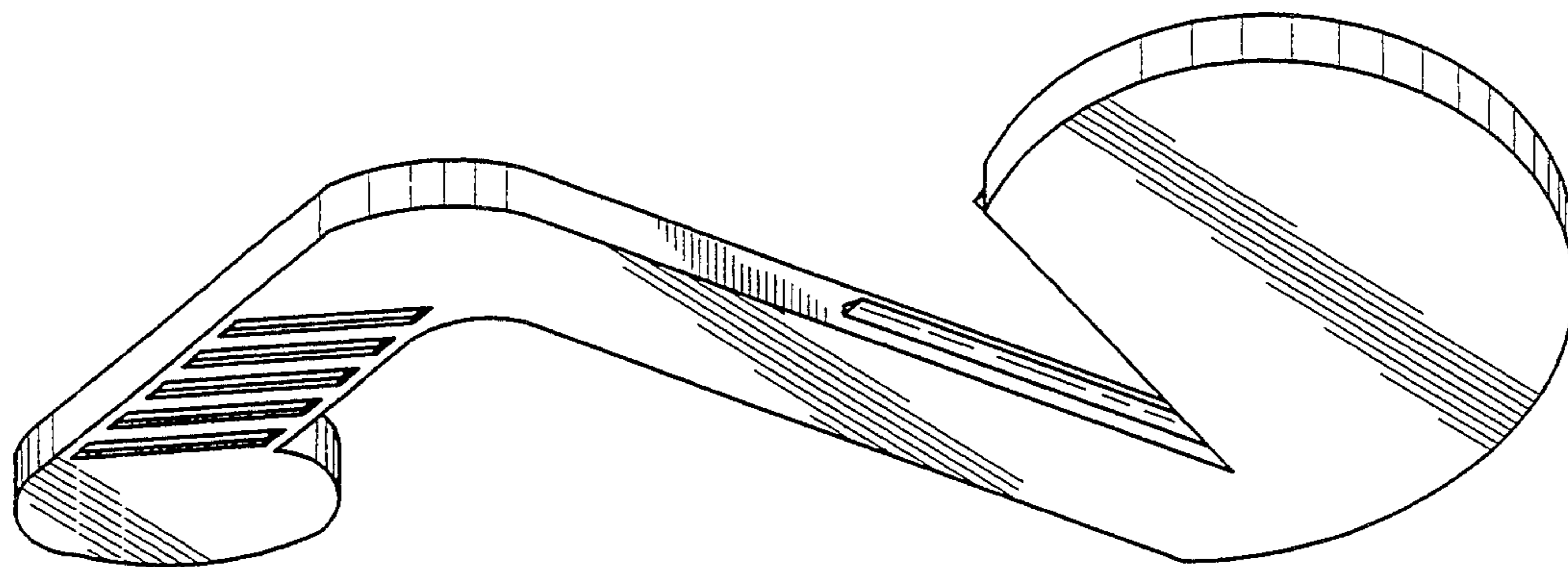


FIG. 9

