



US00D354210S

United States Patent [19]

[11] Patent Number: **Des. 354,210**

Dickinson et al.

[45] Date of Patent: **** Jan. 10, 1995**

[54] **TWO-STEP TOOL BOX**

[75] Inventors: **Thomas Dickinson; Bradley D. Gale,**
both of St. Louis, Mo.

[73] Assignee: **Contico International, Inc.,** St. Louis,
Mo.

[**] Term: **14 Years**

[21] Appl. No.: **16,194**

[22] Filed: **Dec. 9, 1993**

[52] U.S. Cl. **D8/71; D6/336;**
D6/350

[58] Field of Search **D8/71; D6/349, 336,**
D6/350; 297/188, 217; D25/65

[56] **References Cited**

U.S. PATENT DOCUMENTS

- D. 244,494 5/1977 Dottinger D6/350
- D. 271,256 11/1983 McClelland .
- D. 276,861 12/1984 Keddie .
- D. 298,674 11/1988 Koller, Sr. D6/336
- D. 307,800 5/1990 Hradisky .
- D. 314,472 2/1991 Brantingham et al. .
- D. 317,677 6/1991 Posso .
- D. 317,839 7/1991 Pino .
- D. 319,016 8/1991 Kahl .
- D. 322,164 12/1991 Hanna et al. .
- D. 326,815 6/1992 Meisner et al. .
- D. 327,292 6/1992 Klodt .
- D. 328,507 8/1992 Campbell .
- D. 330,462 10/1992 Szablak et al. .
- D. 335,966 6/1993 Schwartzkopf et al. .
- D. 337,211 7/1993 Bergkvist .
- D. 347,527 6/1994 Breen et al. D6/349
- 3,206,266 9/1965 Holloway et al. .
- 4,366,998 1/1983 Kaiser .
- 4,458,963 7/1984 Keddie .
- 4,460,085 7/1984 Jantzen .
- 4,550,828 11/1985 Baldwin et al. .
- 4,744,613 5/1988 Brantingham et al. .
- 5,011,013 4/1991 Meisner et al. .
- 5,044,691 9/1991 Guichon .

FOREIGN PATENT DOCUMENTS

- 2559-352-A 8/1985 France .
- 261-008-A 3/1988 United Kingdom .

OTHER PUBLICATIONS

Copy of Contico Automotive (a Division of Contico International, Inc.) catalog sheet entitled "Organizer-s-Containers-Accessories", p. 85-10. The Examiner should assume that all of the products shown on this sheet were on sale in the U.S. more than a year prior to the filing of this application.

Copy of Keter Plastic Ltd. brochure entitled "Keter Stools". The Examiner should assume that all of the stools shown in this brochure were on sale in the U.S. more than a year prior to the filing of this application. Copy of Rubbermaid 1993 catalog sheet entitled "Step Stools and Totes", p. 18. The Examiner should assume that the step stools shown in the upper left and upper right of the catalog sheet were on sale in the U.S. more than a year prior to the filing of this application.

Photographs of Rubbermaid ROUGHNECK step stool tool box. The Examiner should assume that the tool box shown in these photographs was on sale in the U.S. more than a year prior to the filing of this application.

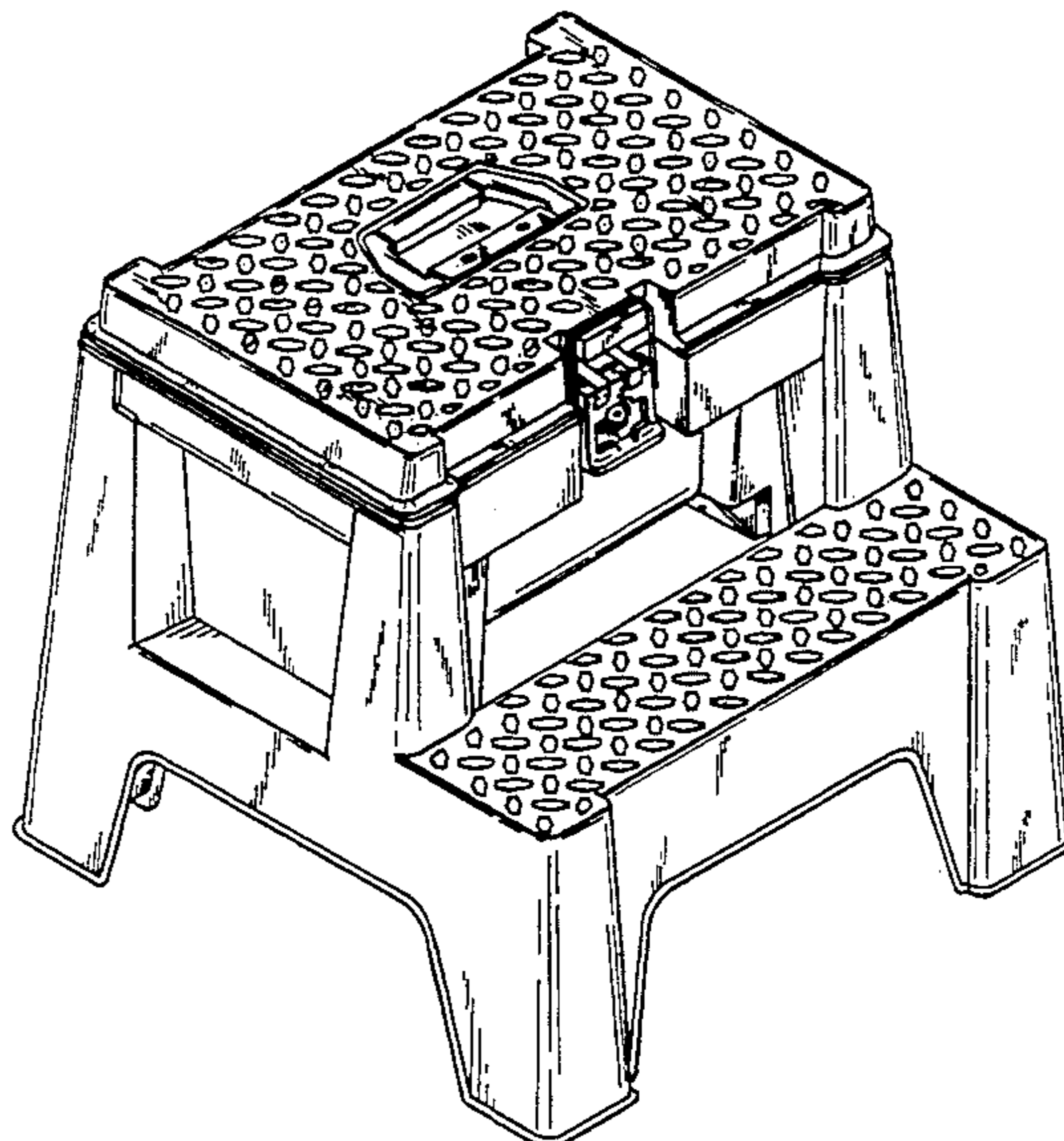
Primary Examiner—Alan P. Douglas
Assistant Examiner—Jeffrey H. Musgrove
Attorney, Agent, or Firm—Rogers, Howell & Haferkamp

[57] **CLAIM**

The ornamental design for a two-step tool box, as shown and described.

DESCRIPTION

FIG. 1 is an orthographic projection of a two-step tool box showing our new design;
FIG. 2 is a top elevational view thereof;
FIG. 3 is a front elevational view thereof;
FIG. 4 is a right side elevational view thereof;
FIG. 5 is a left side elevational view thereof; and,
FIG. 6 is a back elevational view thereof.



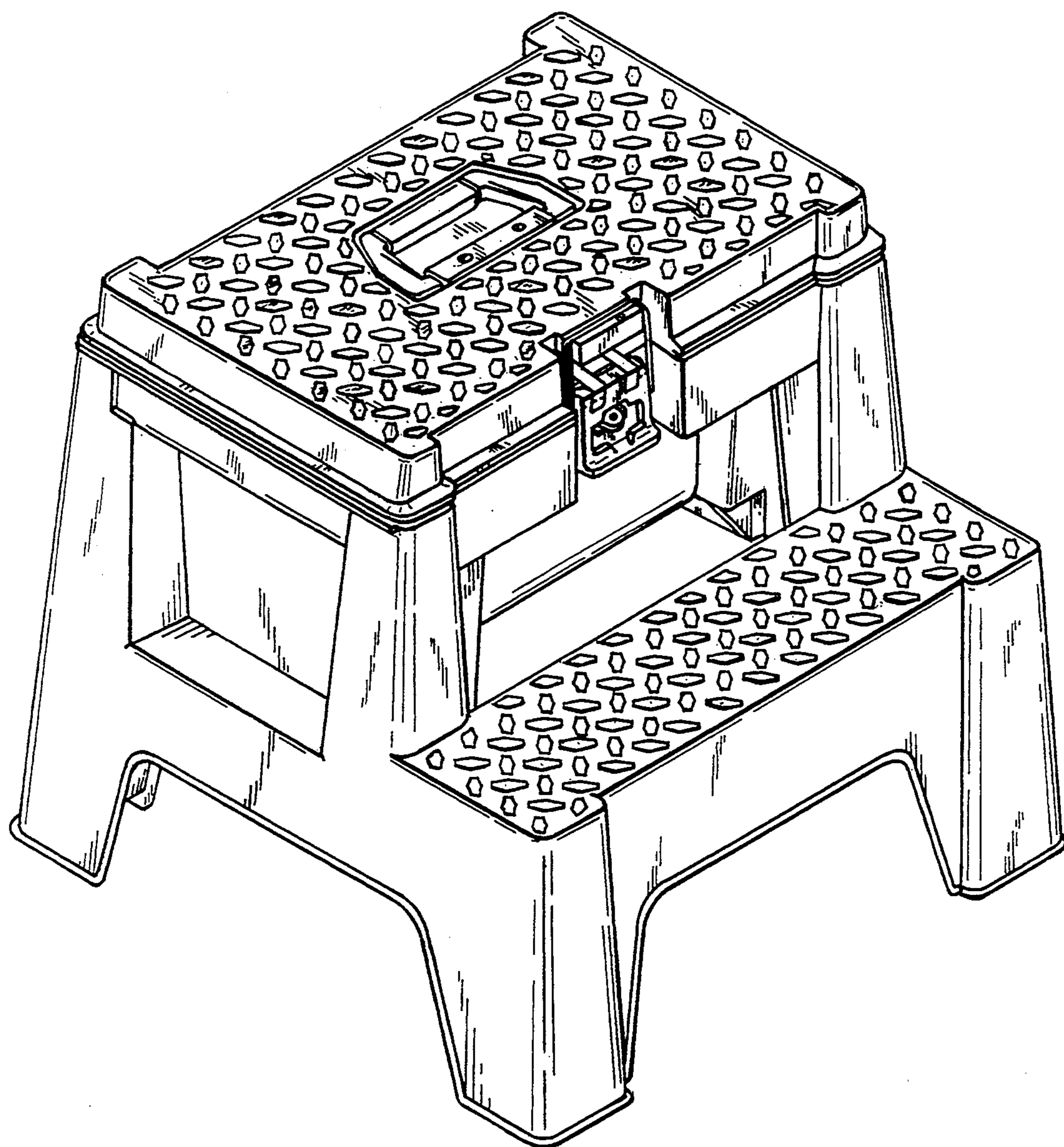


FIG. 1.

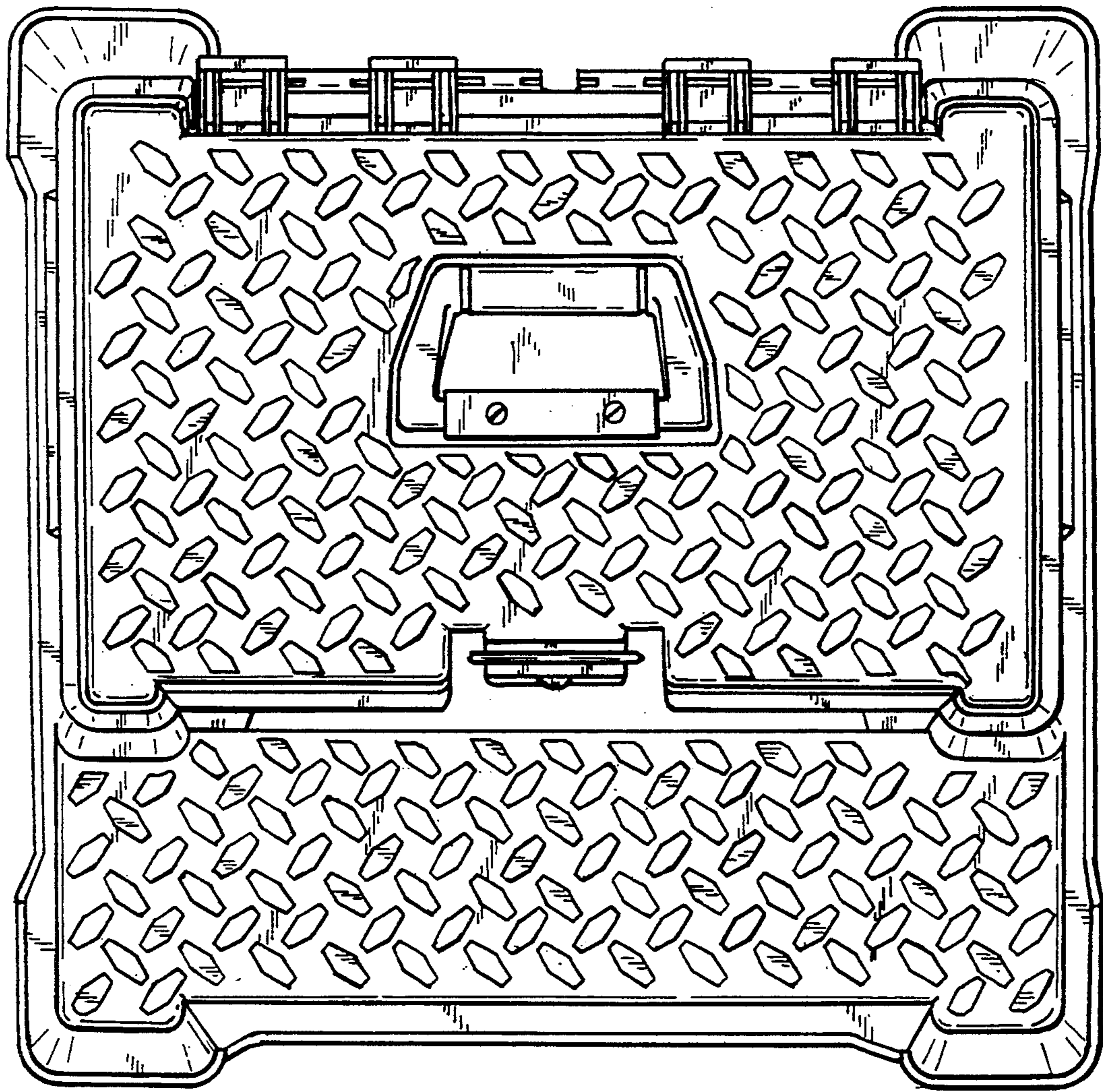


FIG. 2.

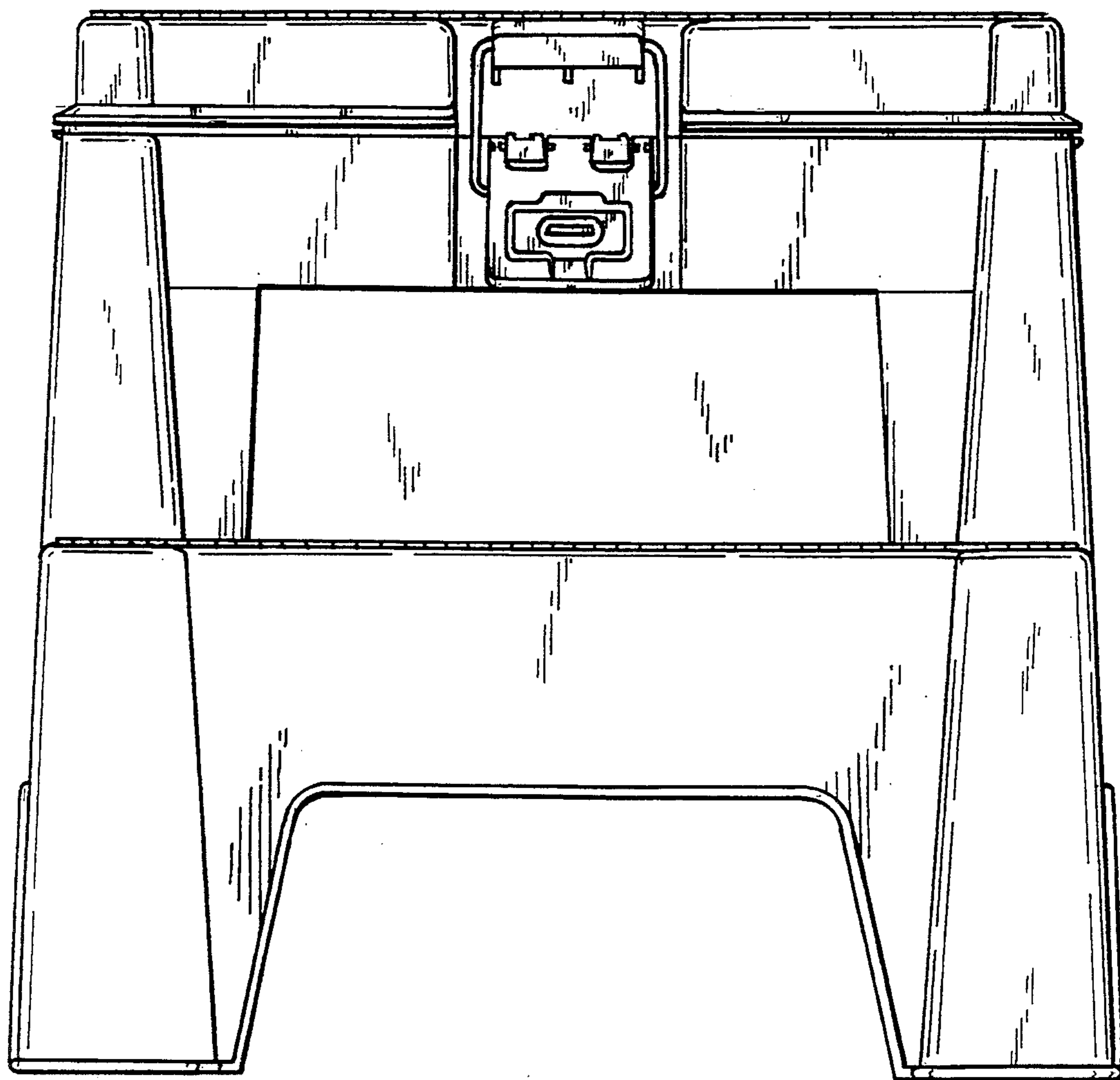


FIG. 3.

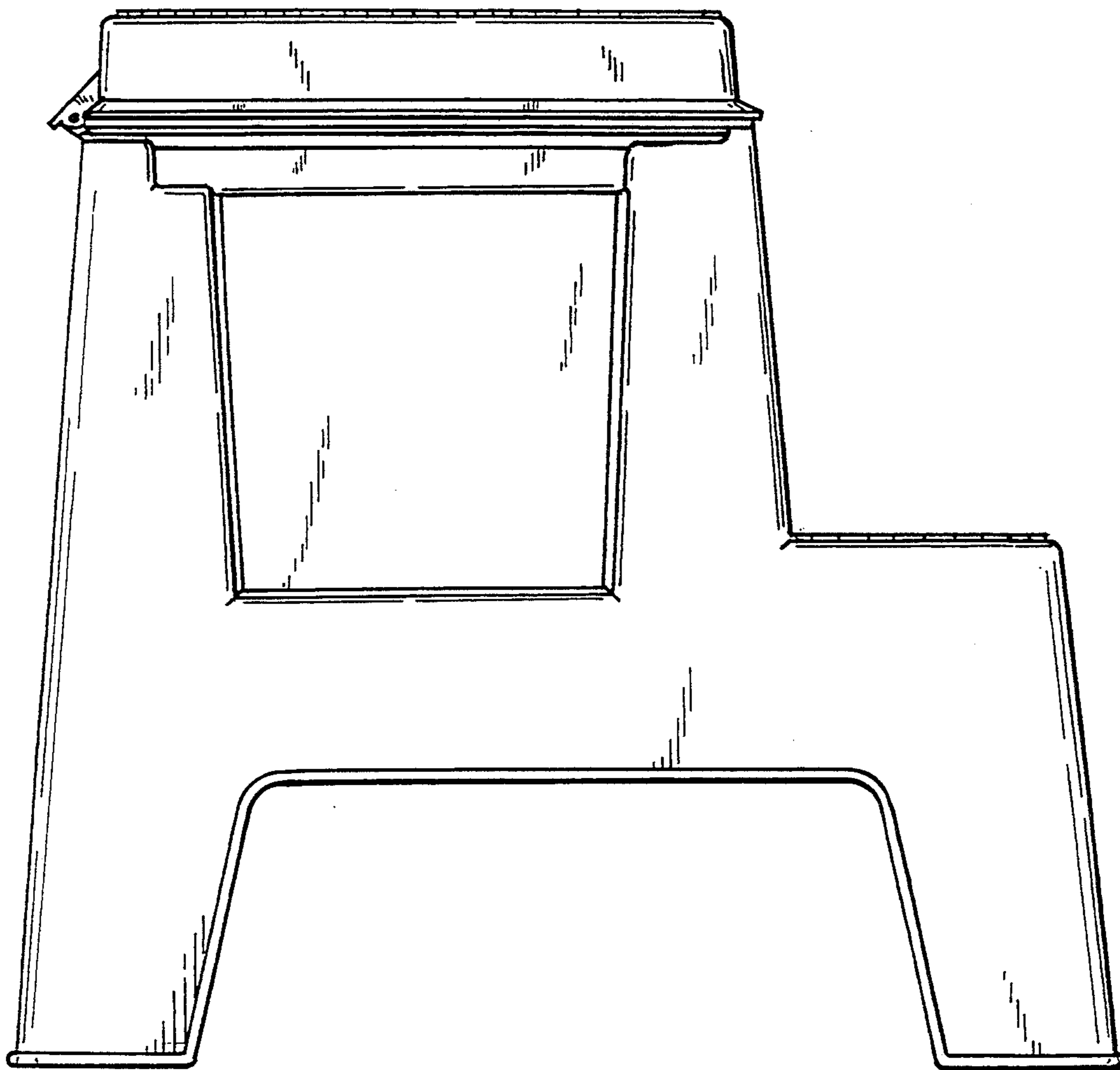


FIG. 4.

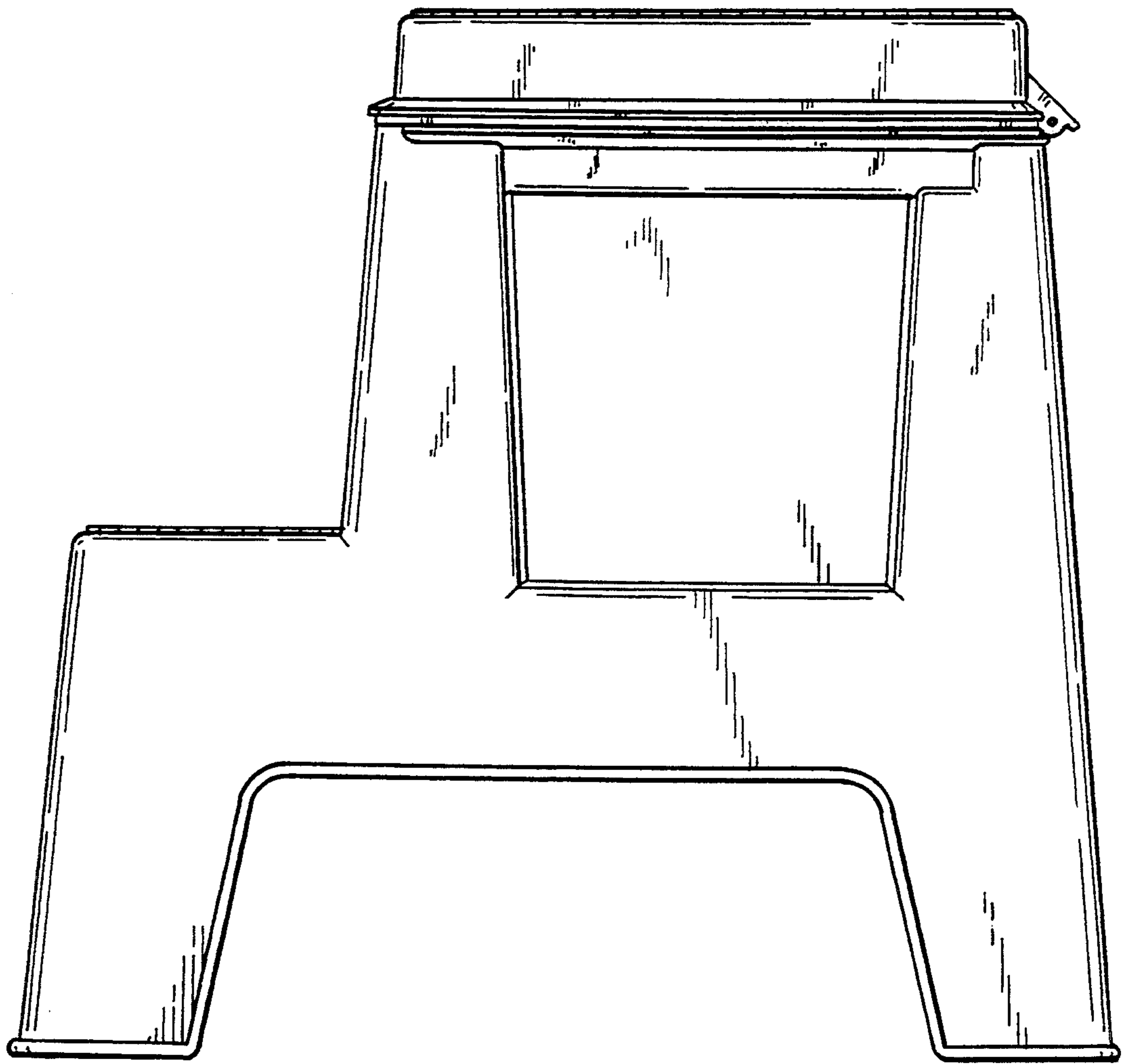


FIG. 5.

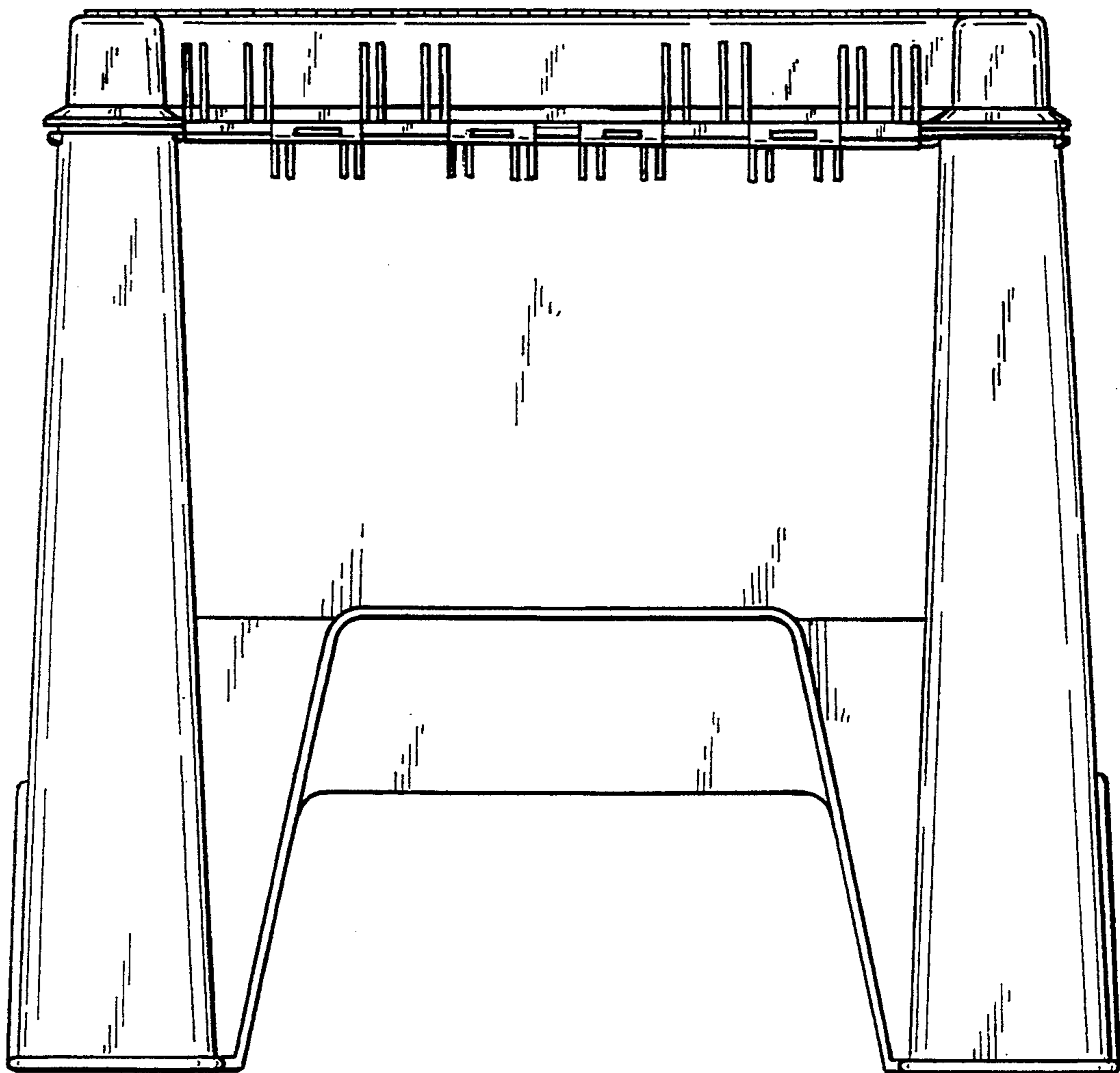


FIG. 6.