



US00D354206S

# United States Patent [19]

[11] Patent Number: **Des. 354,206**

**Künzle**

[45] Date of Patent: **\*\* Jan. 10, 1995**

[54] **BLADE FOR A CULTIVATING TOOL**

[75] Inventor: **Albert Künzle**, Bischofszell, Switzerland

[73] Assignee: **Künzle Farma AG**, Oberaach, Switzerland

[\*\*] Term: **14 Years**

[21] Appl. No.: **15,855**

[22] Filed: **Dec. 1, 1993**

[30] **Foreign Application Priority Data**

Jul. 13, 1993 [XH] Hague Agreement ..... DM/026680

[52] U.S. Cl. .... **D8/9**

[58] Field of Search ..... **D8/1, 7, 9;**  
**172/371-372, 375-376; 7/114-116**

[56] **References Cited**

**U.S. PATENT DOCUMENTS**

D. 195,042	4/1963	Harrison	.....	D8/9
D. 274,687	7/1984	Hass	.....	D8/7
1,946,006	2/1934	Struckmeyer	.....	D8/9 X
2,240,705	5/1941	Klopfenstein	.....	172/372
2,251,048	7/1941	Garland	.....	172/372
3,015,930	1/1962	Campbell	.....	D8/9 X
3,643,744	2/1972	Turnquist	.....	172/372

*Primary Examiner*—Wallace R. Burke  
*Assistant Examiner*—H. Baynham  
*Attorney, Agent, or Firm*—Martin A. Farber

[57] **CLAIM**

The ornamental design for a blade for a cultivating tool, as shown and described.

**DESCRIPTION**

FIG. 1 is a top plan view of a blade for a cultivating tool showing my new design;

FIG. 2 is a top plan view of a second embodiment of the design shown in FIG. 1;

FIG. 3 is a top plan view of the third embodiment of the design shown in FIG. 1;

FIG. 4 is a top view of the fourth embodiment of the design shown in FIG. 1;

FIG. 5 is a bottom end, left side, top perspective view of the design shown in FIG. 1;

FIG. 6 is a bottom end, left side, top perspective view of the design shown in FIG. 2;

FIG. 7 is a bottom end, left side, top perspective view of the design shown FIG. 3;

FIG. 8 is a bottom end, left side, top perspective view of the design shown FIG. 4;

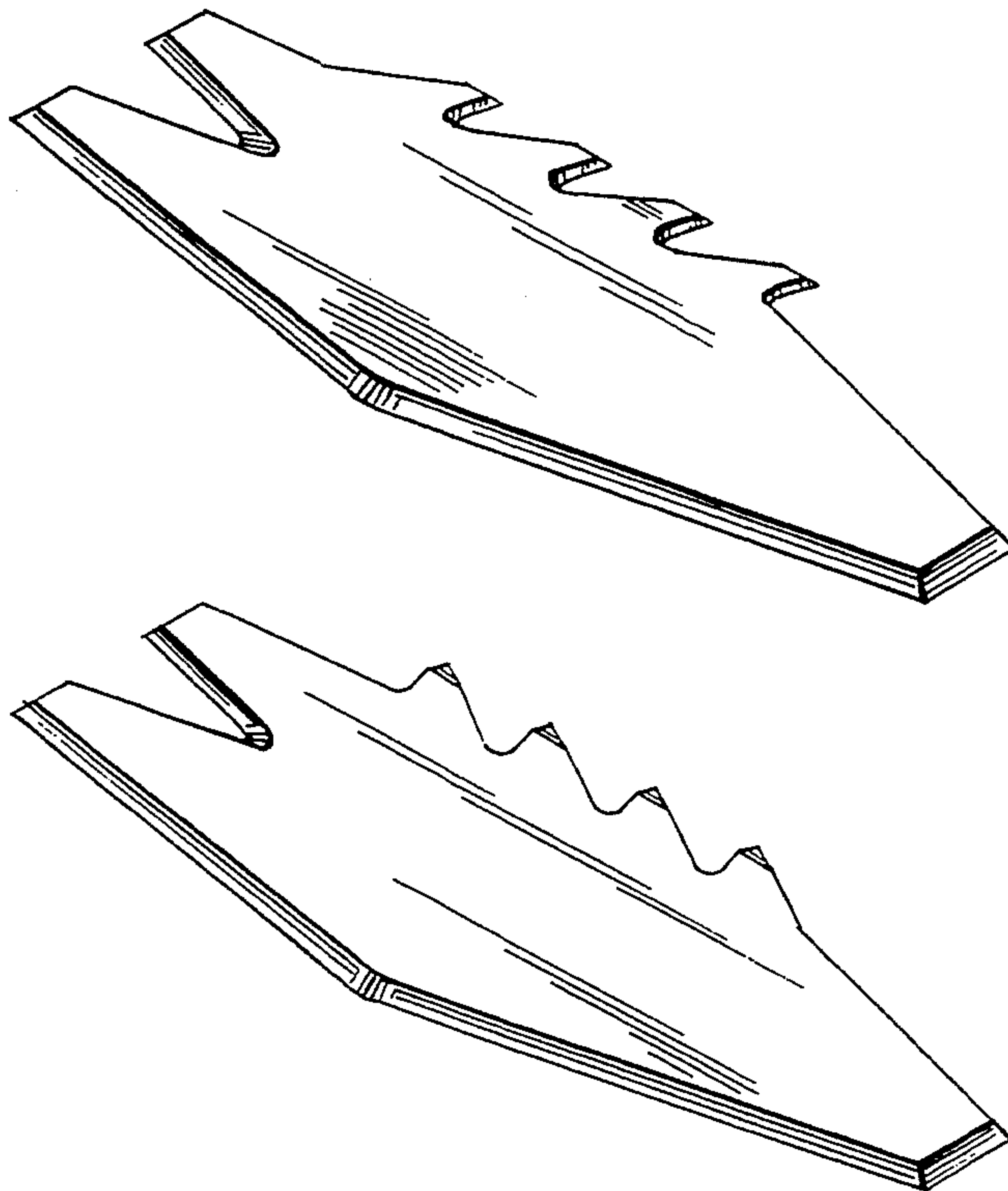
FIG. 9 is a top end, right side, top perspective view of the design shown FIG. 1;

FIG. 10 is a top end, right side, top perspective view of the design shown in FIG. 2;

FIG. 11 is a top end, right side, top perspective view of the design shown FIG. 3, and,

FIG. 12 is a top end, right side, top perspective view of the design shown FIG. 4.

The bottom plan views of each embodiment are mirror images of the top views except for the absence of the beveled edges.



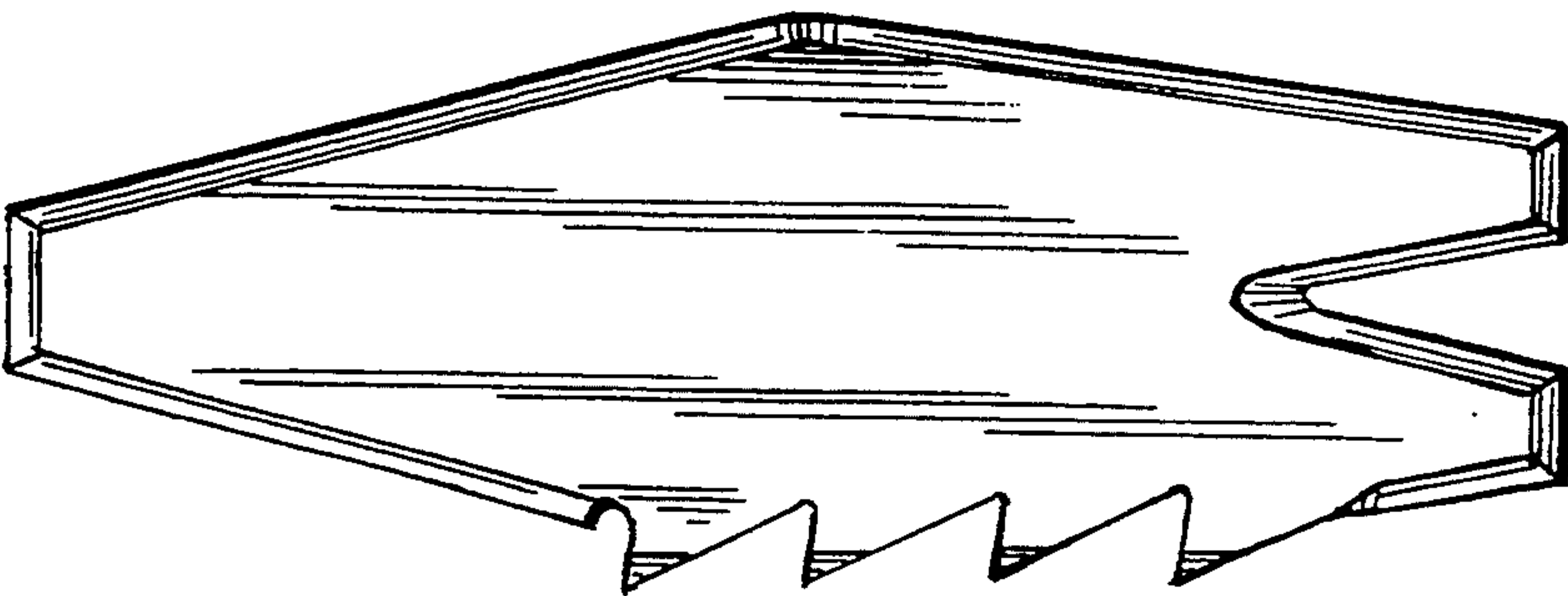


FIG. 1

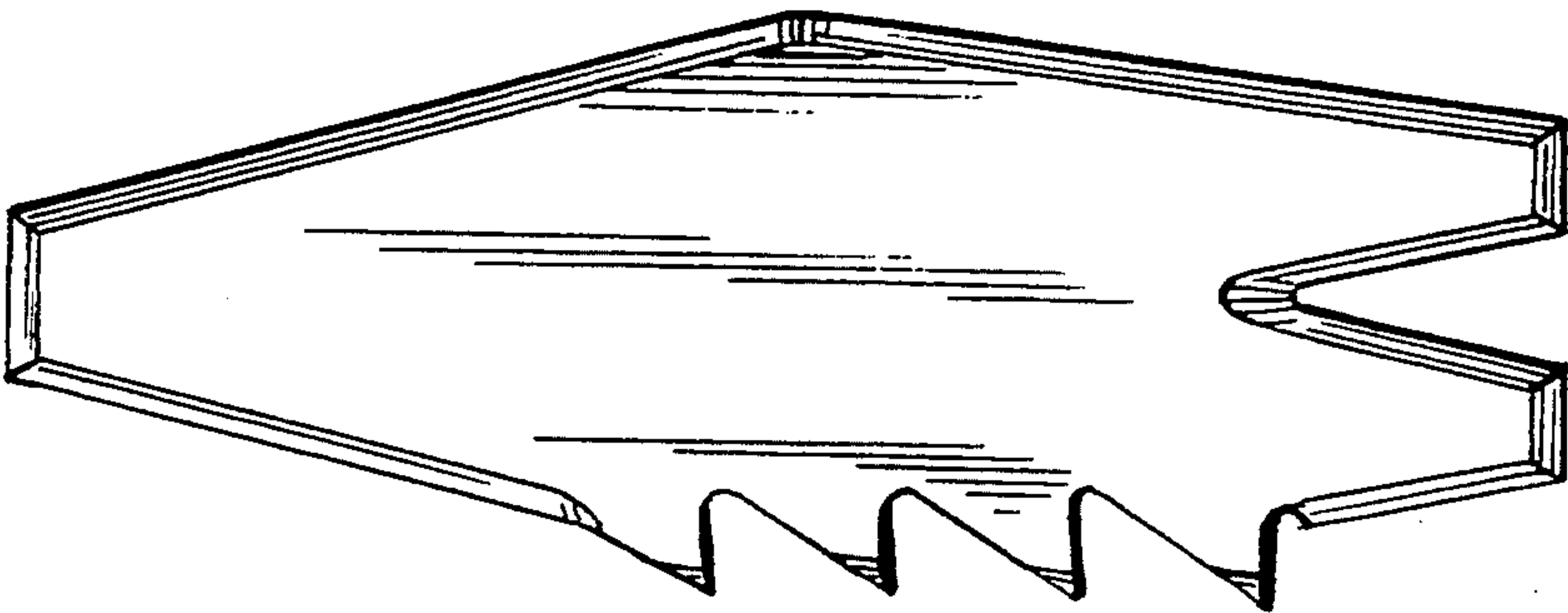


FIG. 2

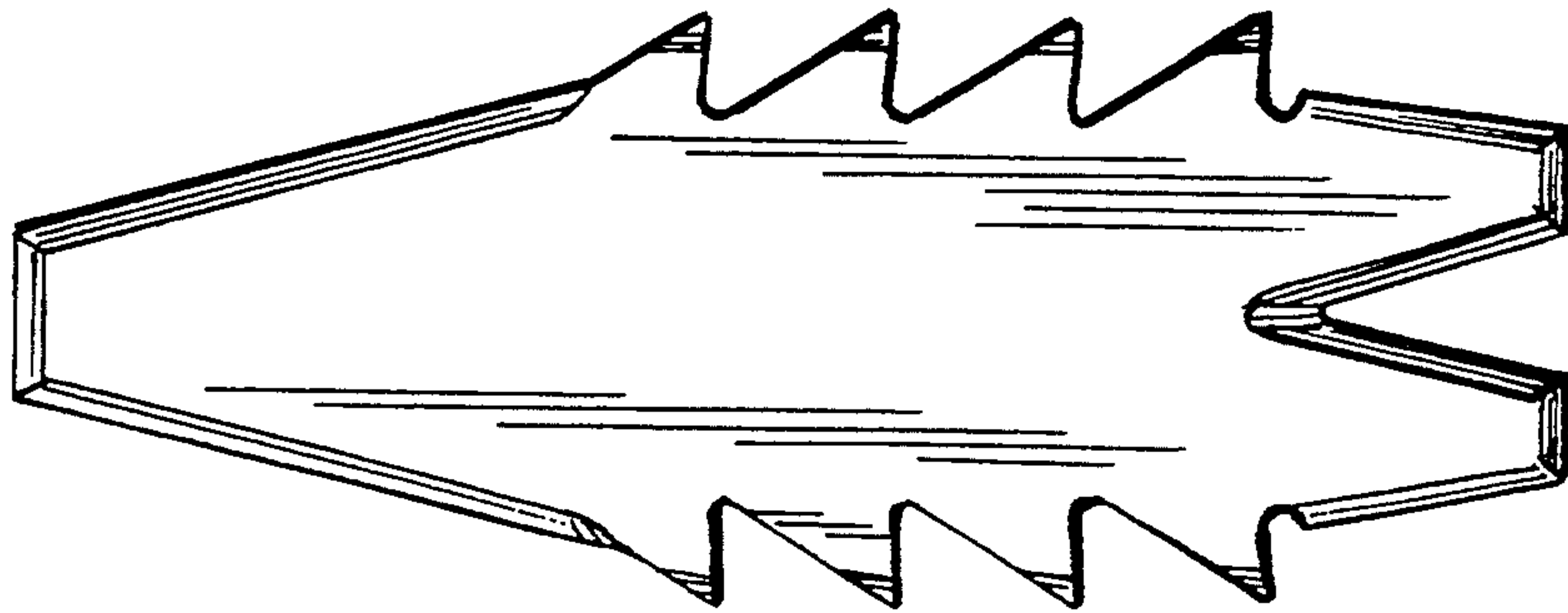


FIG. 3

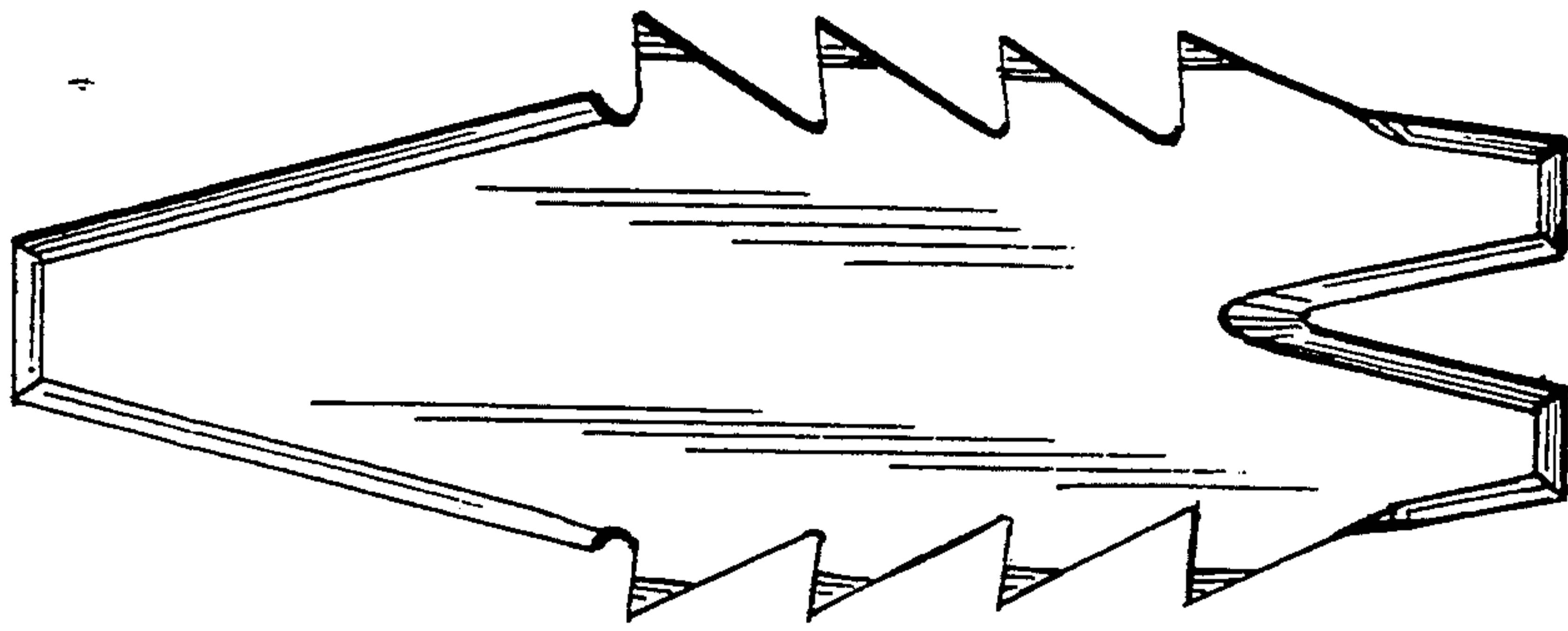


FIG. 4

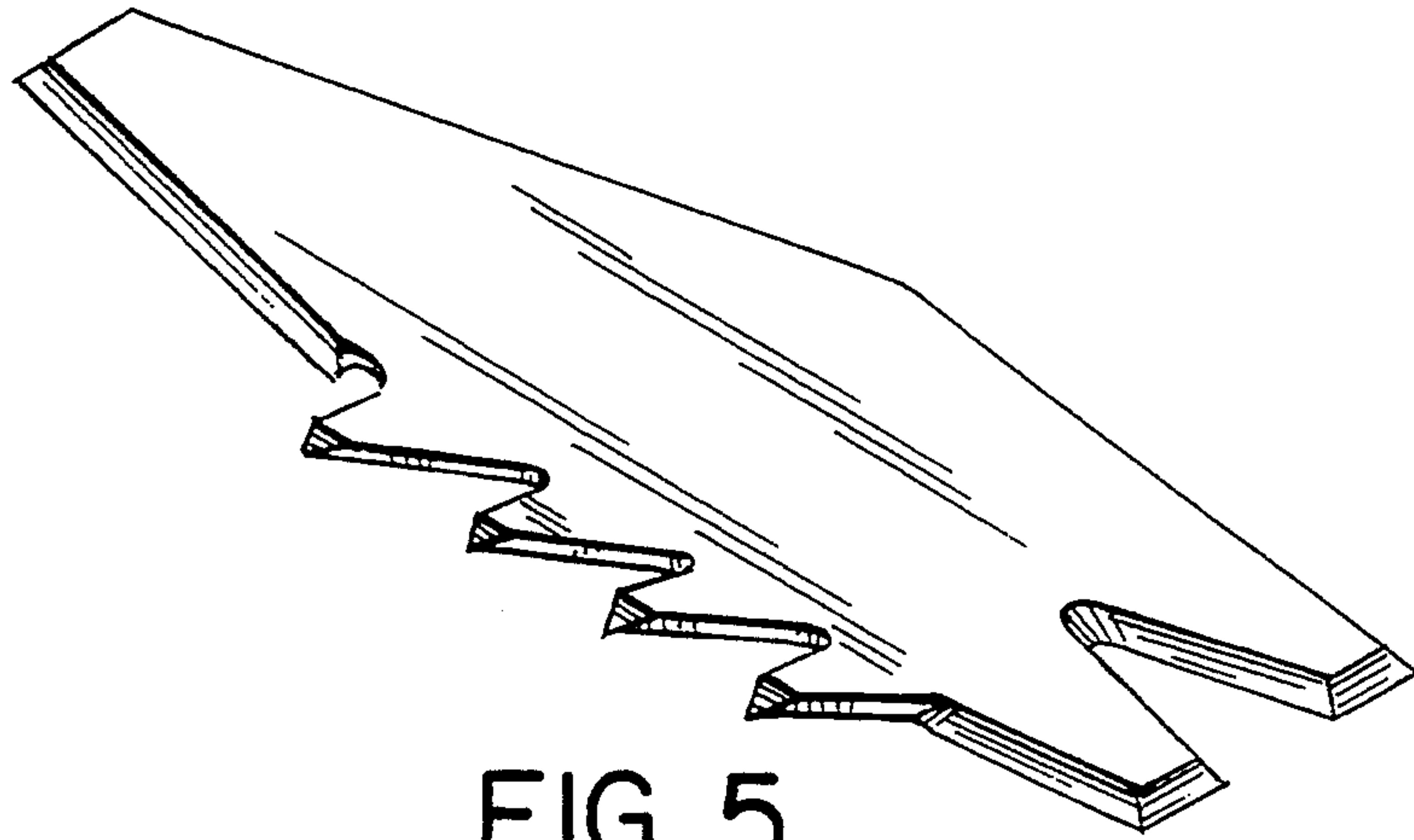


FIG. 5

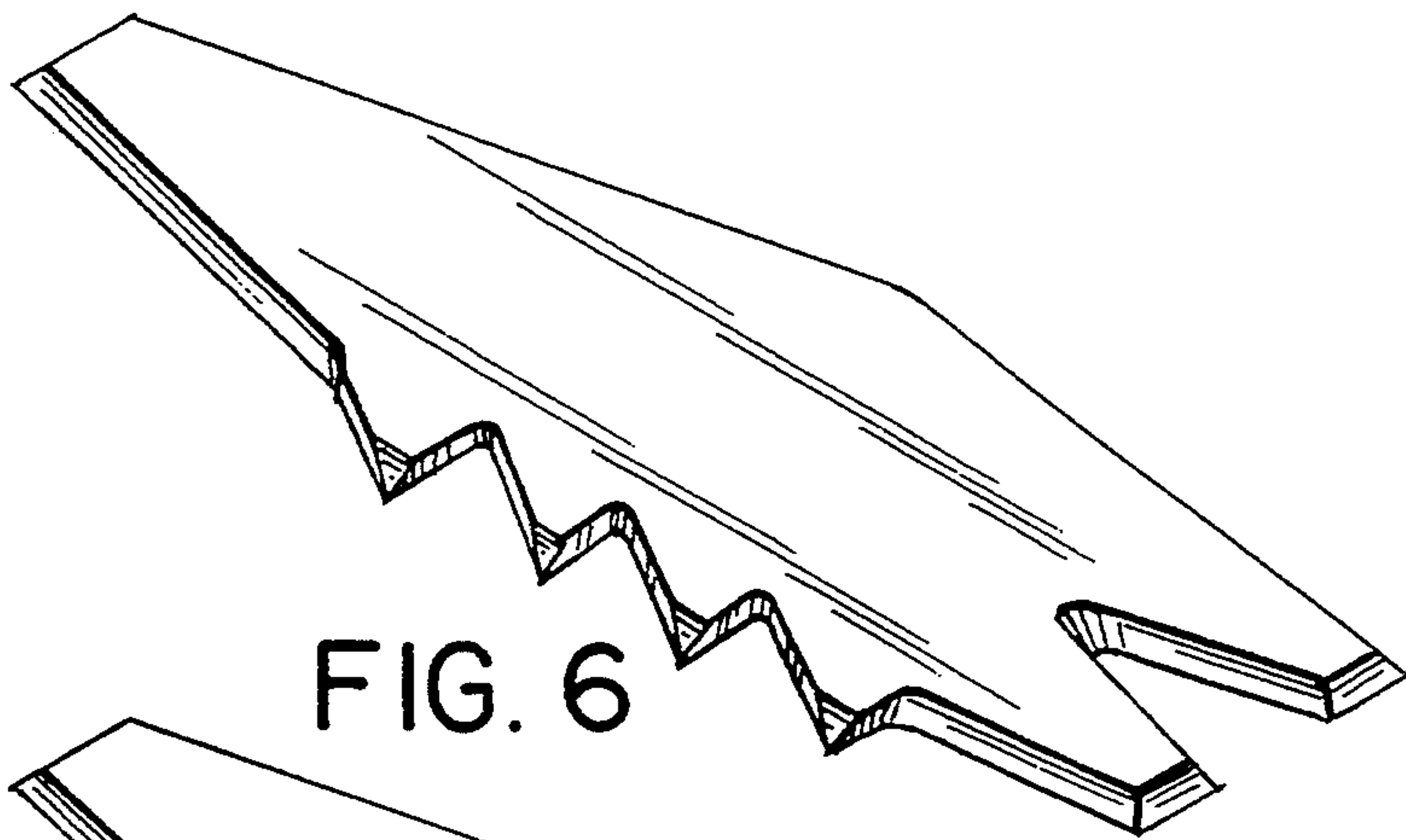


FIG. 6

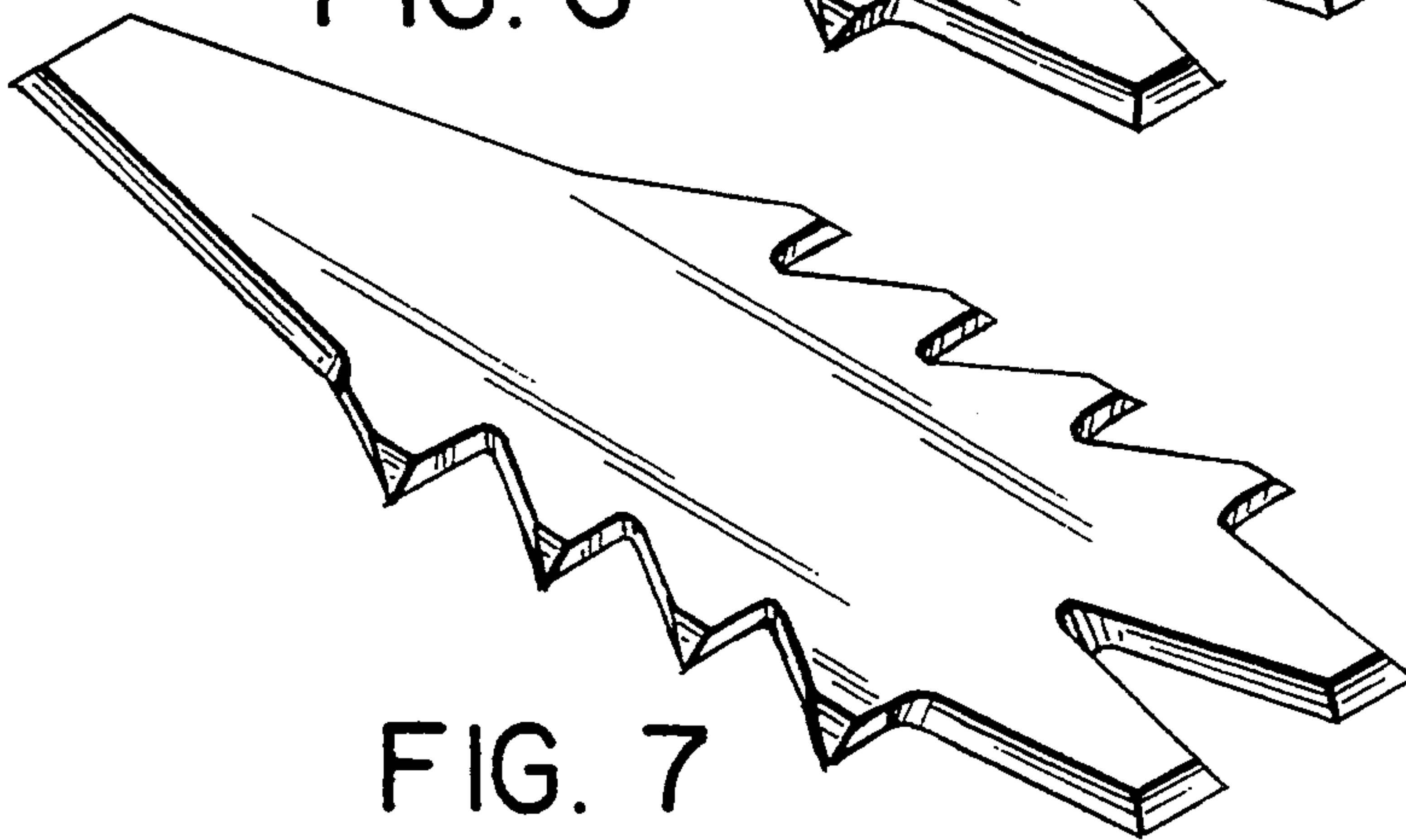


FIG. 7

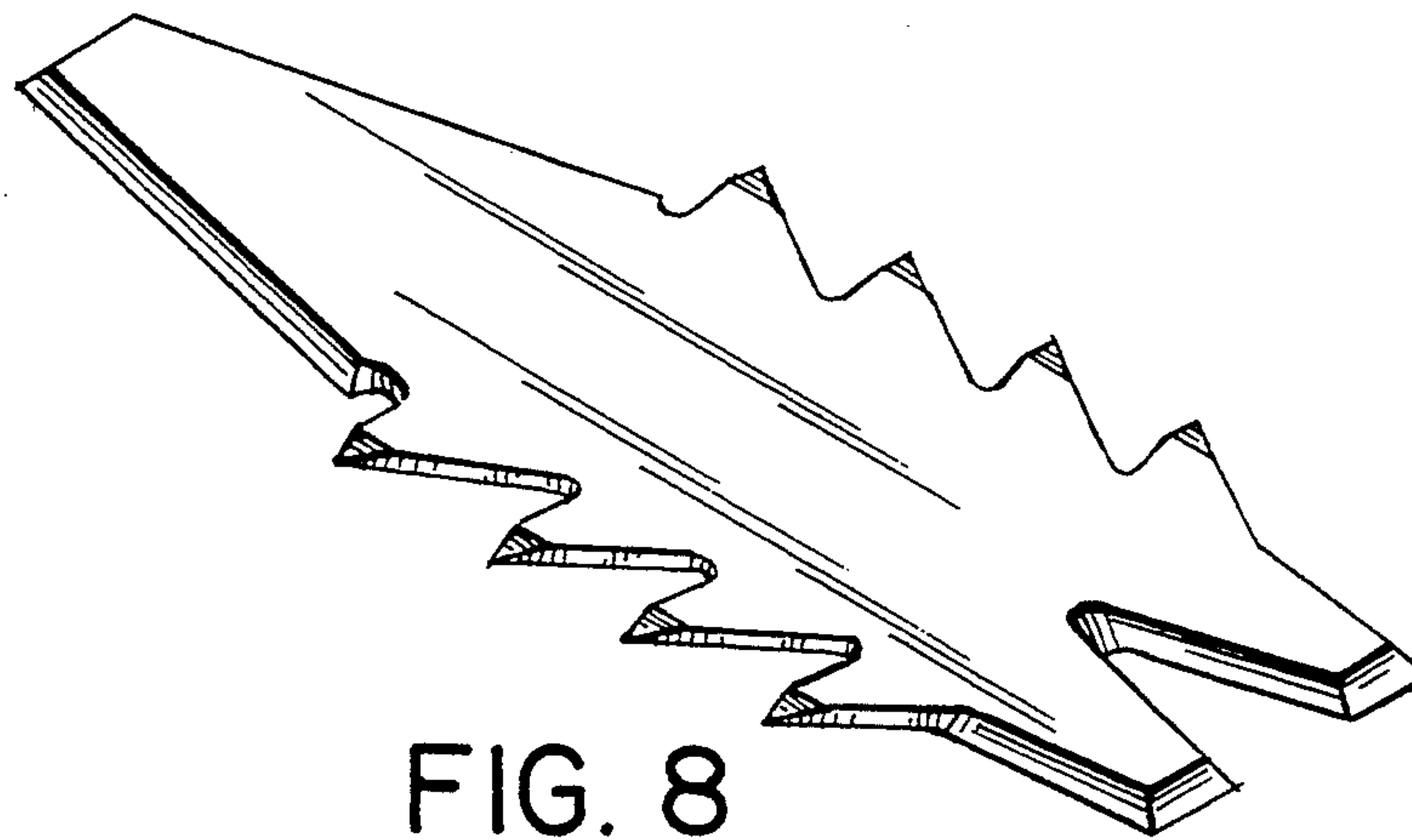


FIG. 8



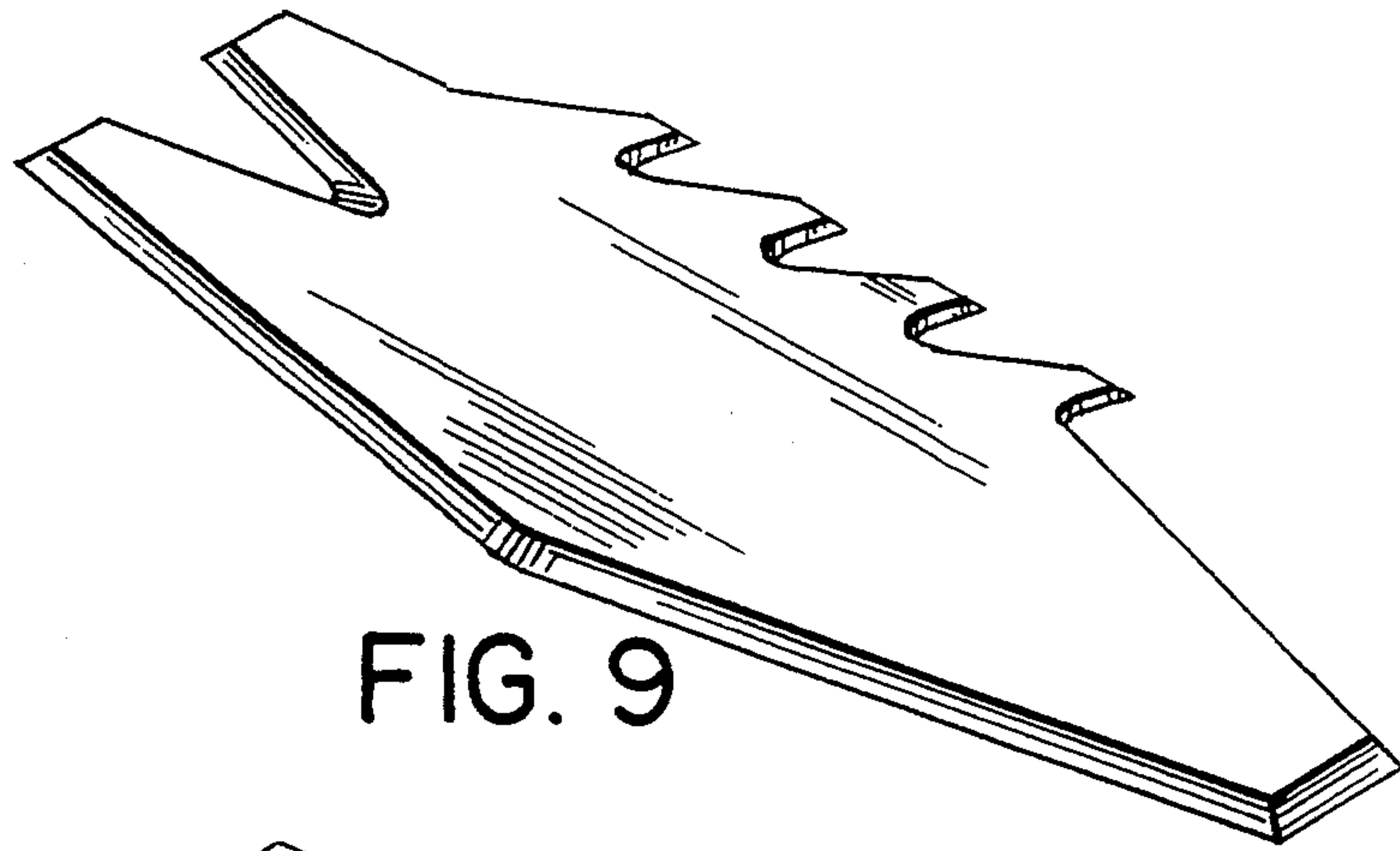


FIG. 9

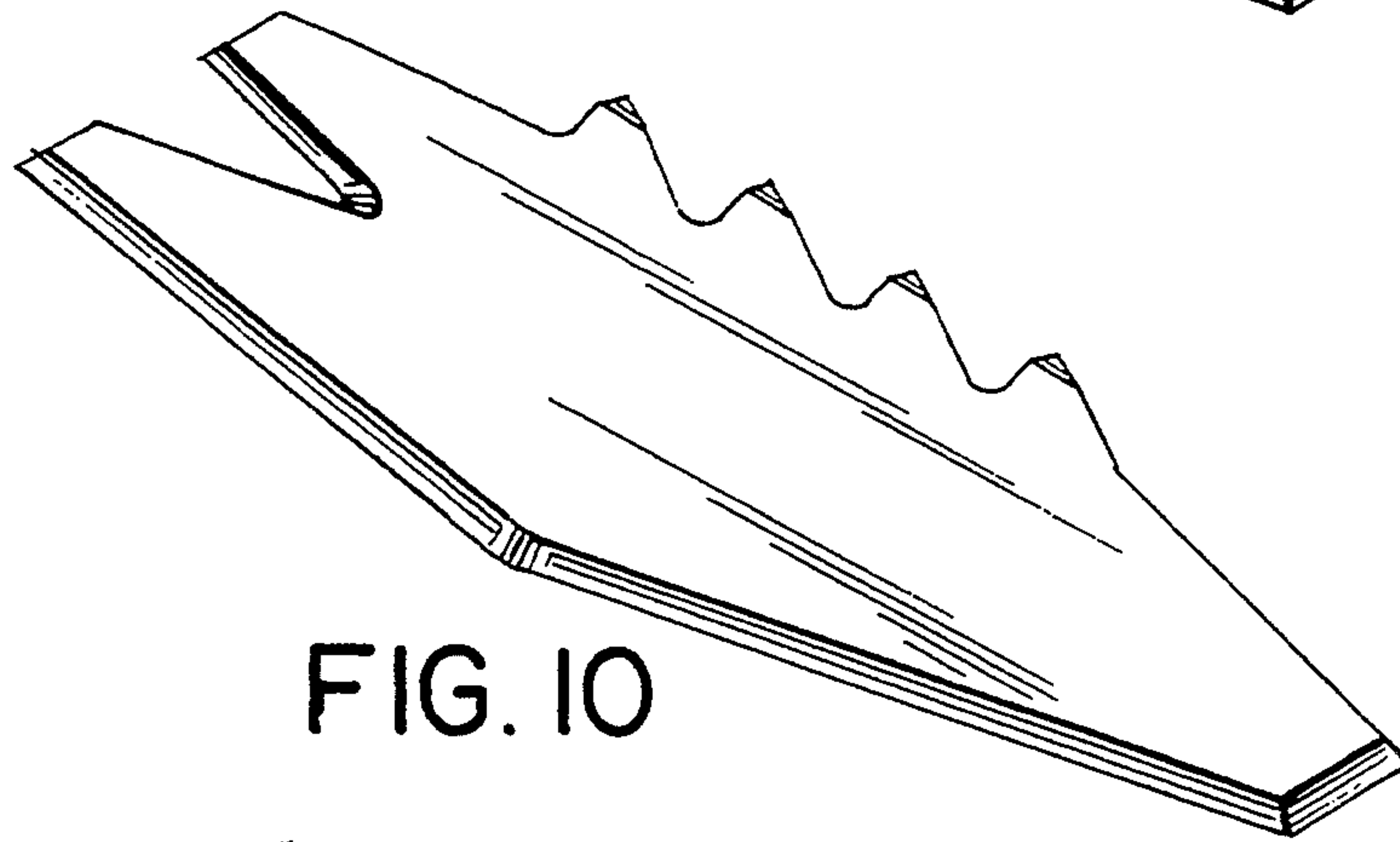


FIG. 10

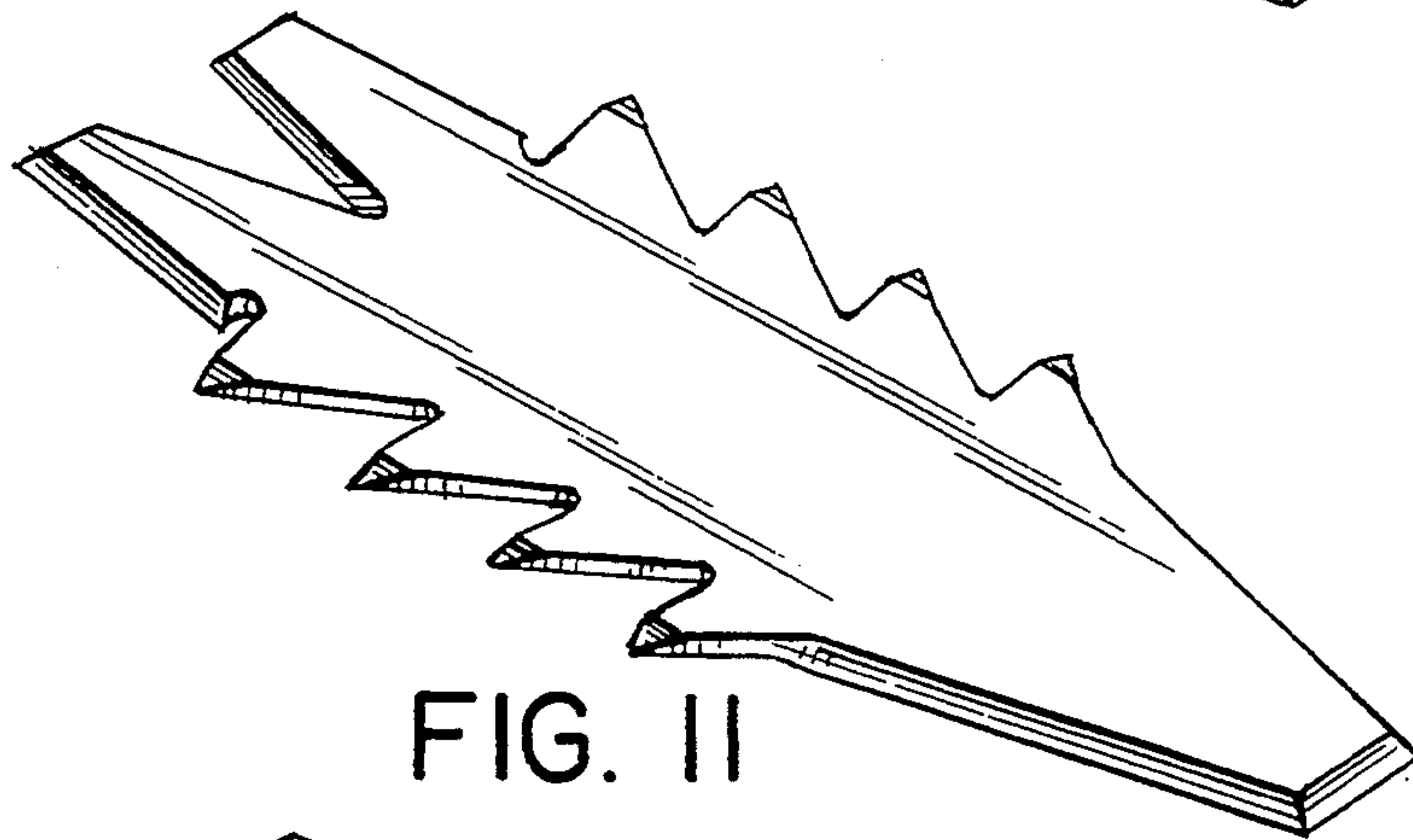


FIG. 11

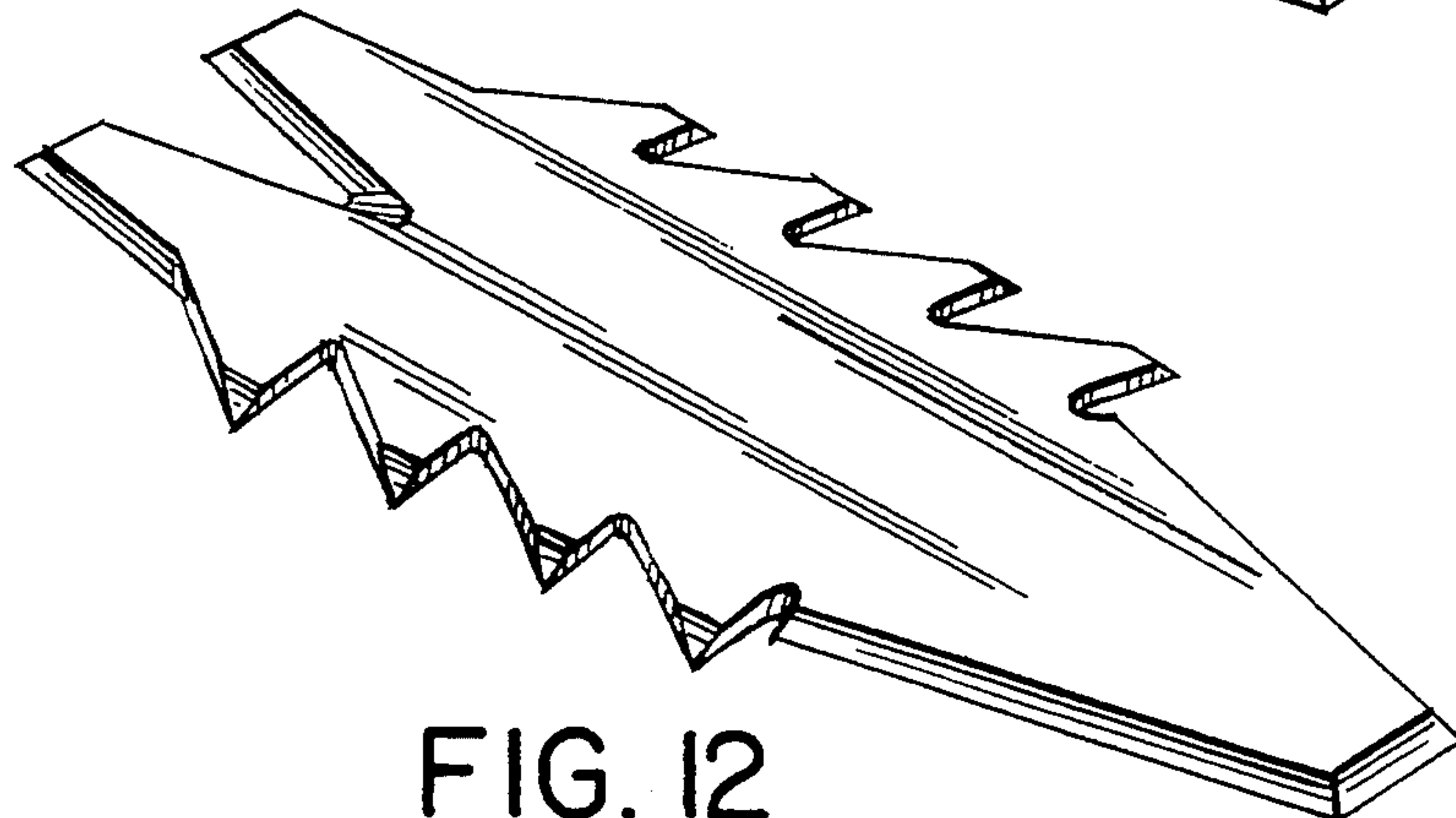


FIG. 12