



US00D354195S

United States Patent [19]
Kaneko

[11] **Patent Number: Des. 354,195**
[45] **Date of Patent: ** Jan. 10, 1995**

[54] **BREADMAKER**
[75] **Inventor: Takuji Kaneko, Daito, Japan**
[73] **Assignee: Funai Electric Co., Ltd., Daito, Japan**
[**] **Term: 14 Years**
[21] **Appl. No.: 4,227**
[22] **Filed: Jan. 29, 1993**

D. 325,147 4/1992 Watanabe et al. D7/348
D. 330,306 10/1992 Kim D7/350
D. 341,515 11/1993 Hamada et al. D7/350
D. 346,303 4/1994 Kaneko D7/350

Primary Examiner—Ruth McInroy
Attorney, Agent, or Firm—Lackenbach Siegel Marzullo
Aronson & Greenspan

[30] **Foreign Application Priority Data**

Jul. 31, 1992 [JP] Japan 4-22963

[52] **U.S. Cl. D7/350**

[58] **Field of Search D7/347-348,
D7/350; 99/325, 341, 359, 353, 467-468;
219/391, 400, 402; 126/275 R, 275 E**

[56] **References Cited**

U.S. PATENT DOCUMENTS

D. 310,615 9/1990 Kitai et al. D7/348
D. 311,848 11/1990 Mikami et al. D7/348
D. 314,687 2/1991 Kim D7/350

[57] **CLAIM**

The ornamental design for a breadmaker, as shown and described.

DESCRIPTION

FIG. 1 is a perspective view of a breadmaker showing my new design with the cover in an open position; FIG. 2 is a front elevational view thereof with the cover in a closed position; FIG. 3 is a rear elevational view thereof; FIG. 4 is a top plan view thereof; FIG. 5 is a bottom plan view thereof; FIG. 6 is a right side elevational view thereof; and, FIG. 7 is a left side elevational view thereof.

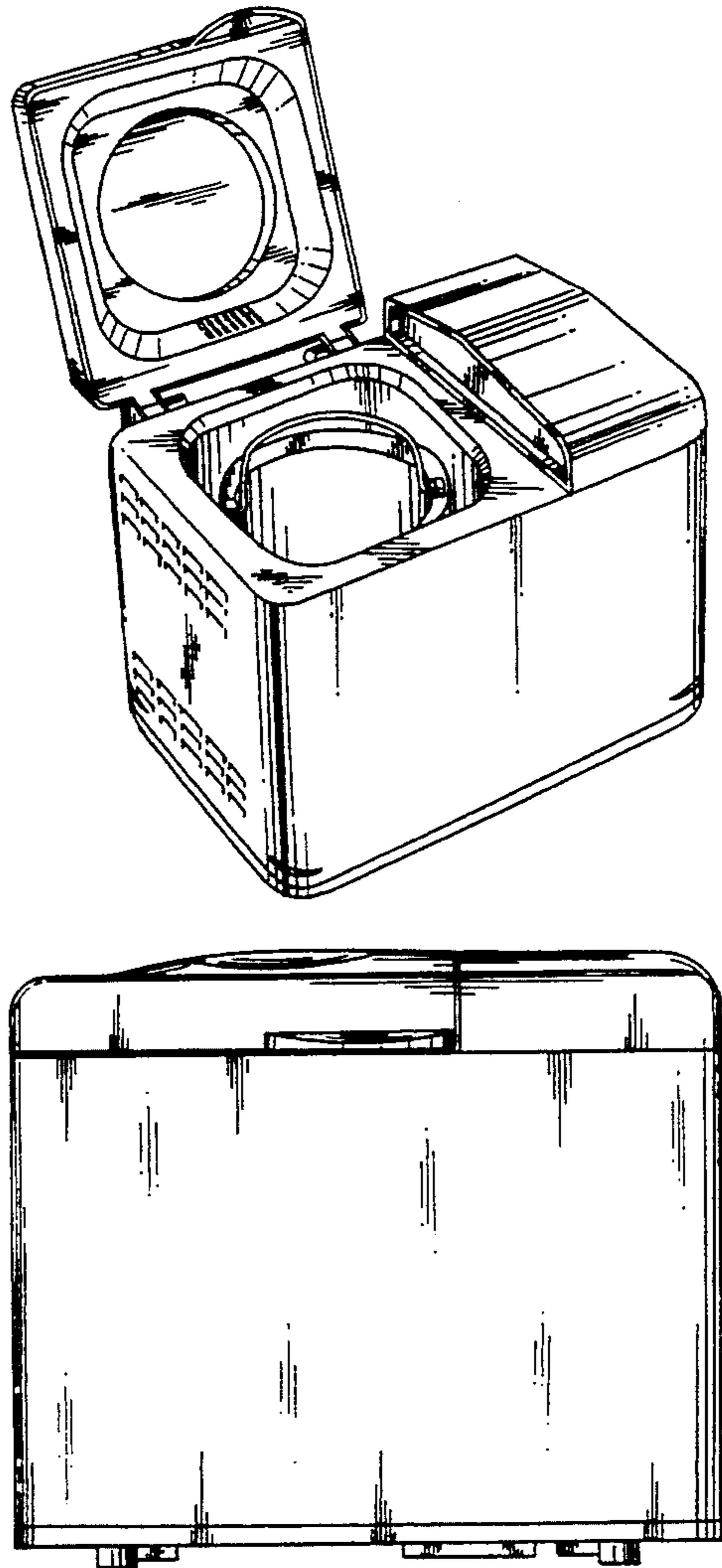


FIG. 1

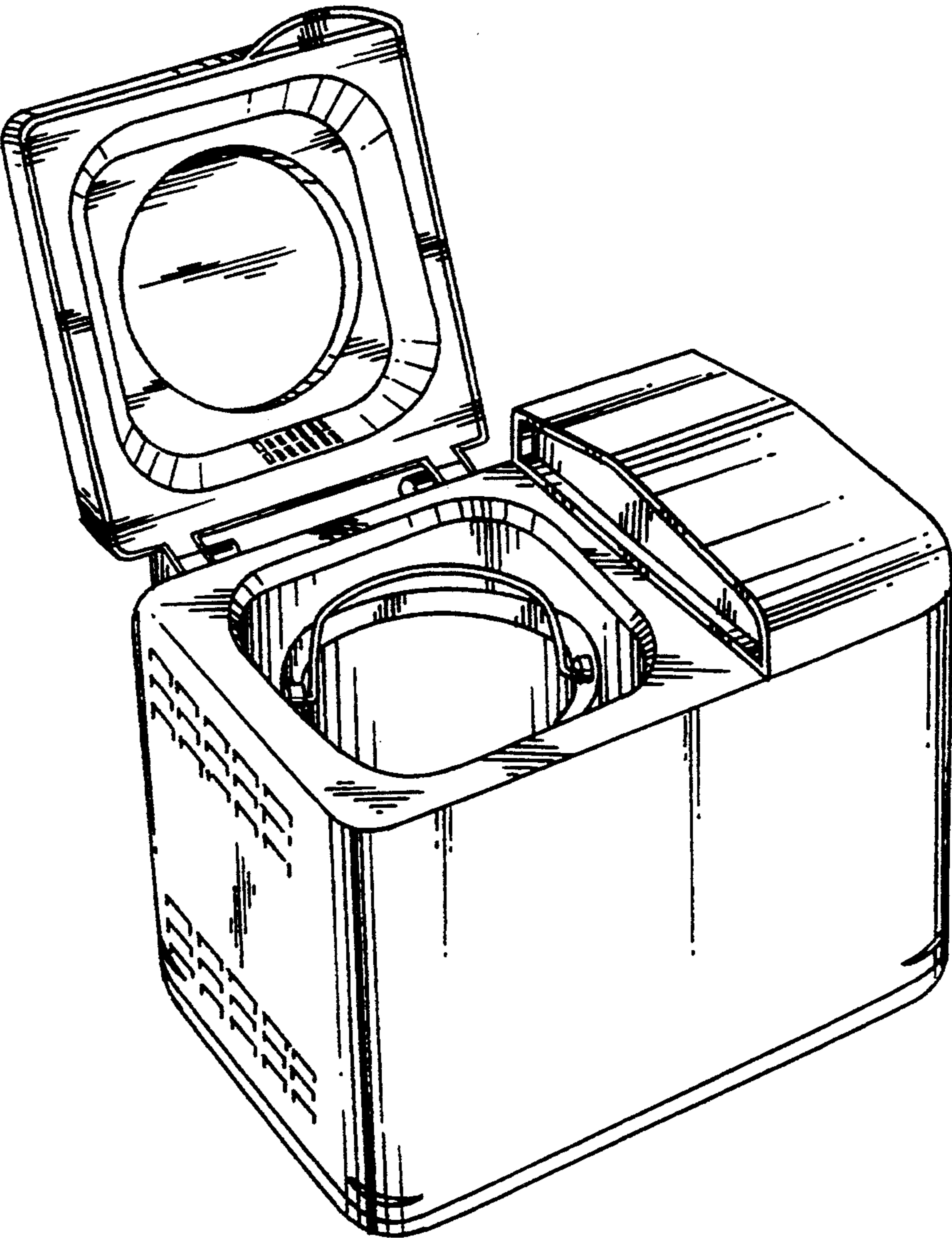


FIG. 2

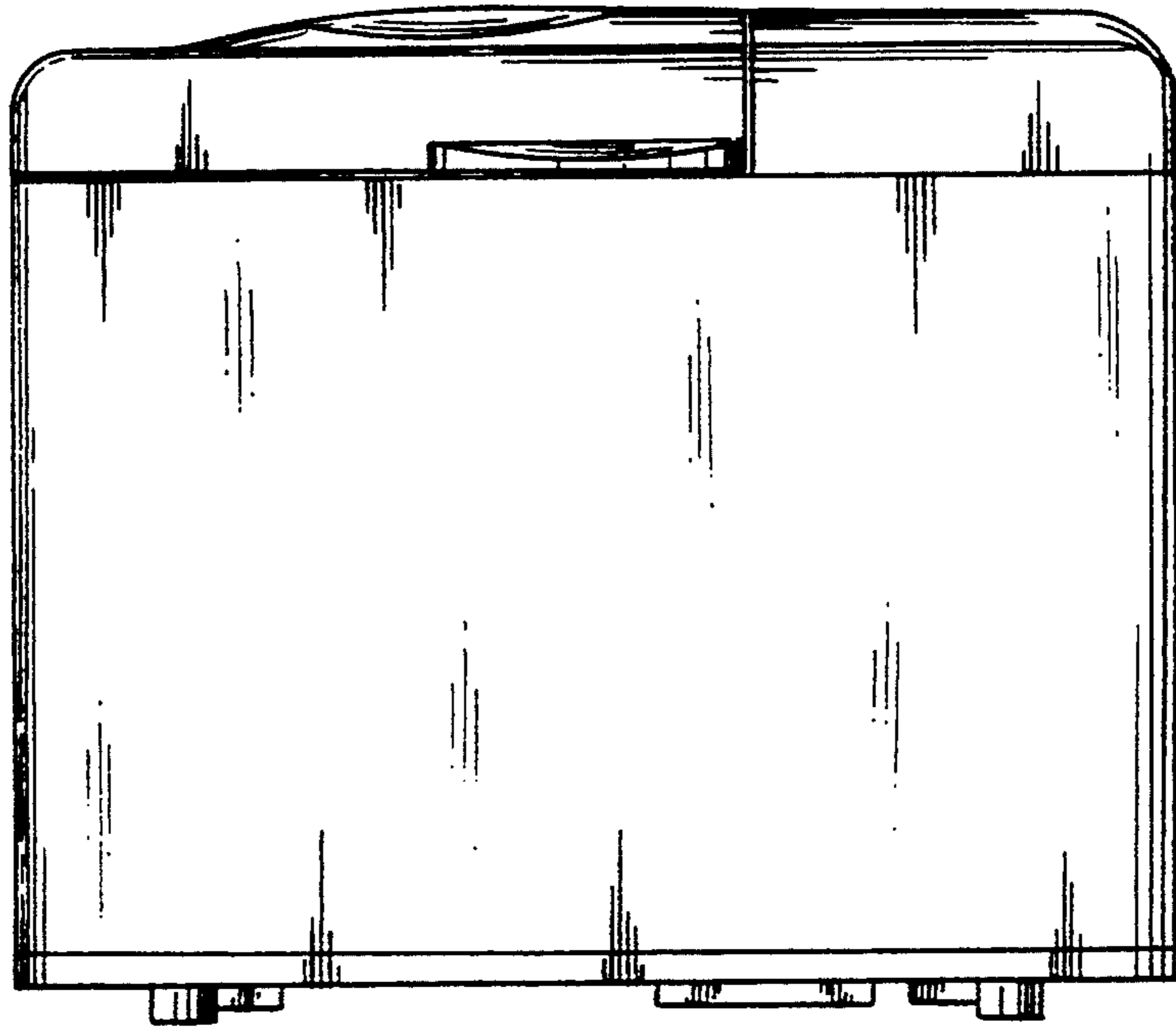


FIG. 3

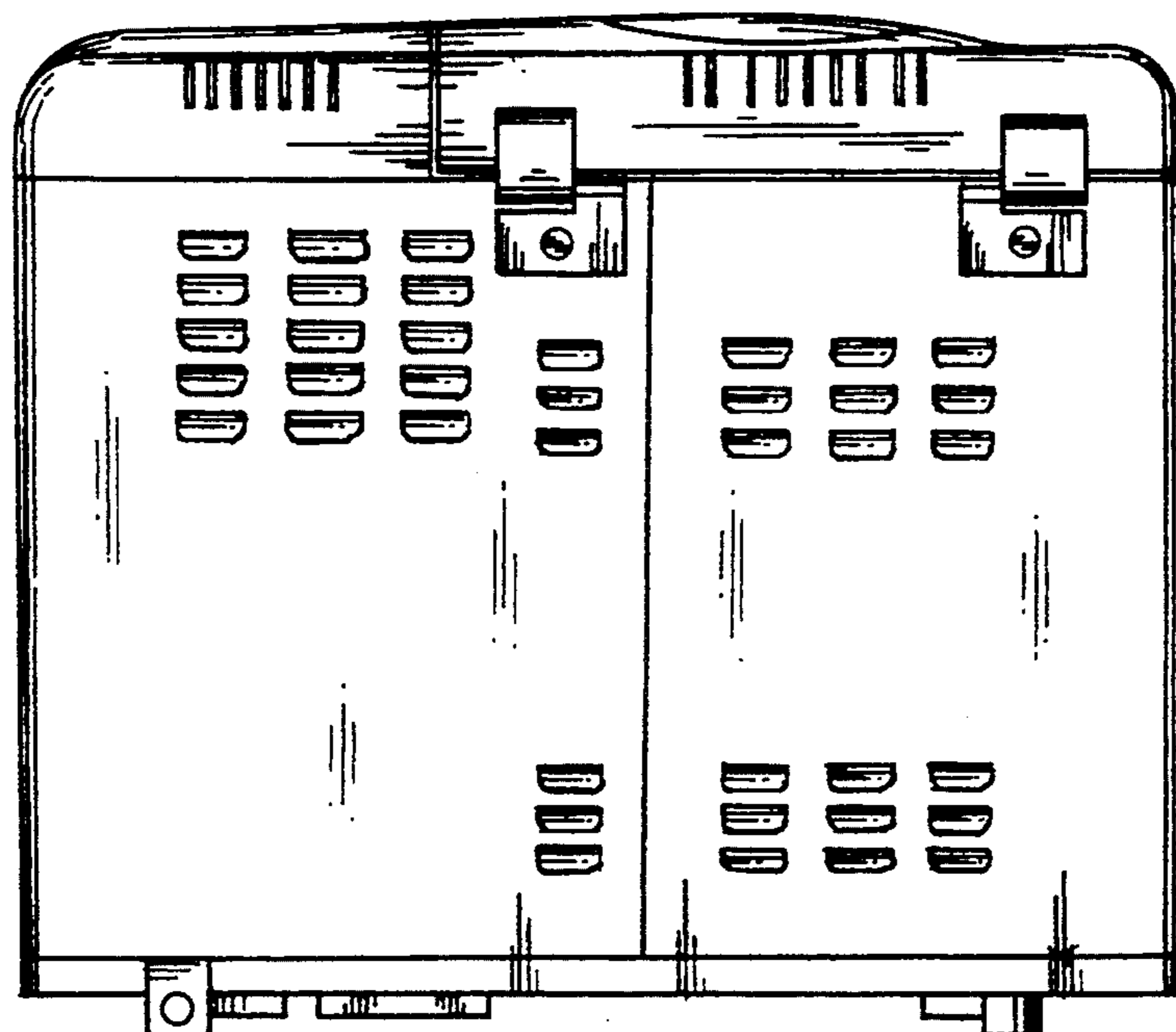


FIG. 4

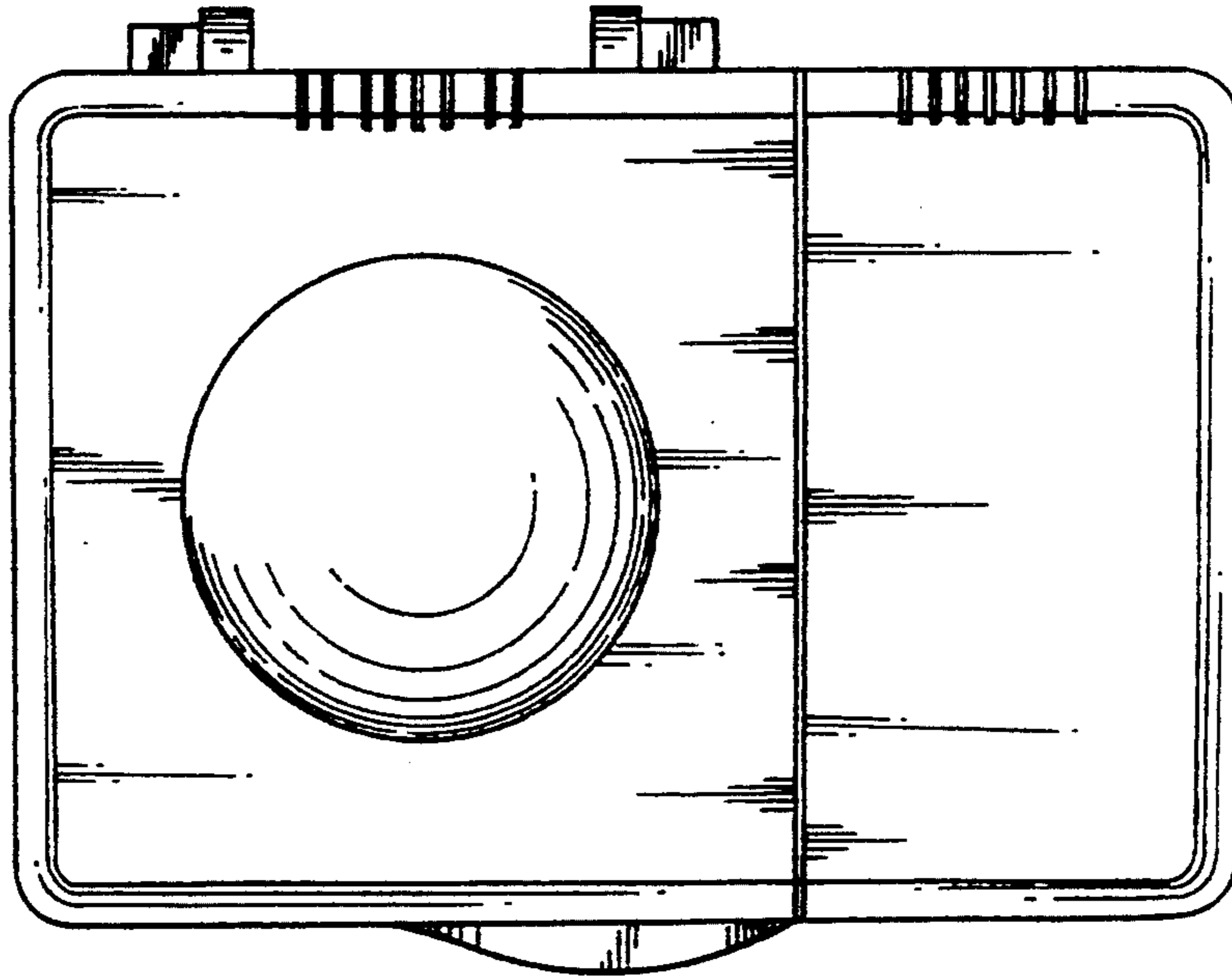


FIG. 5

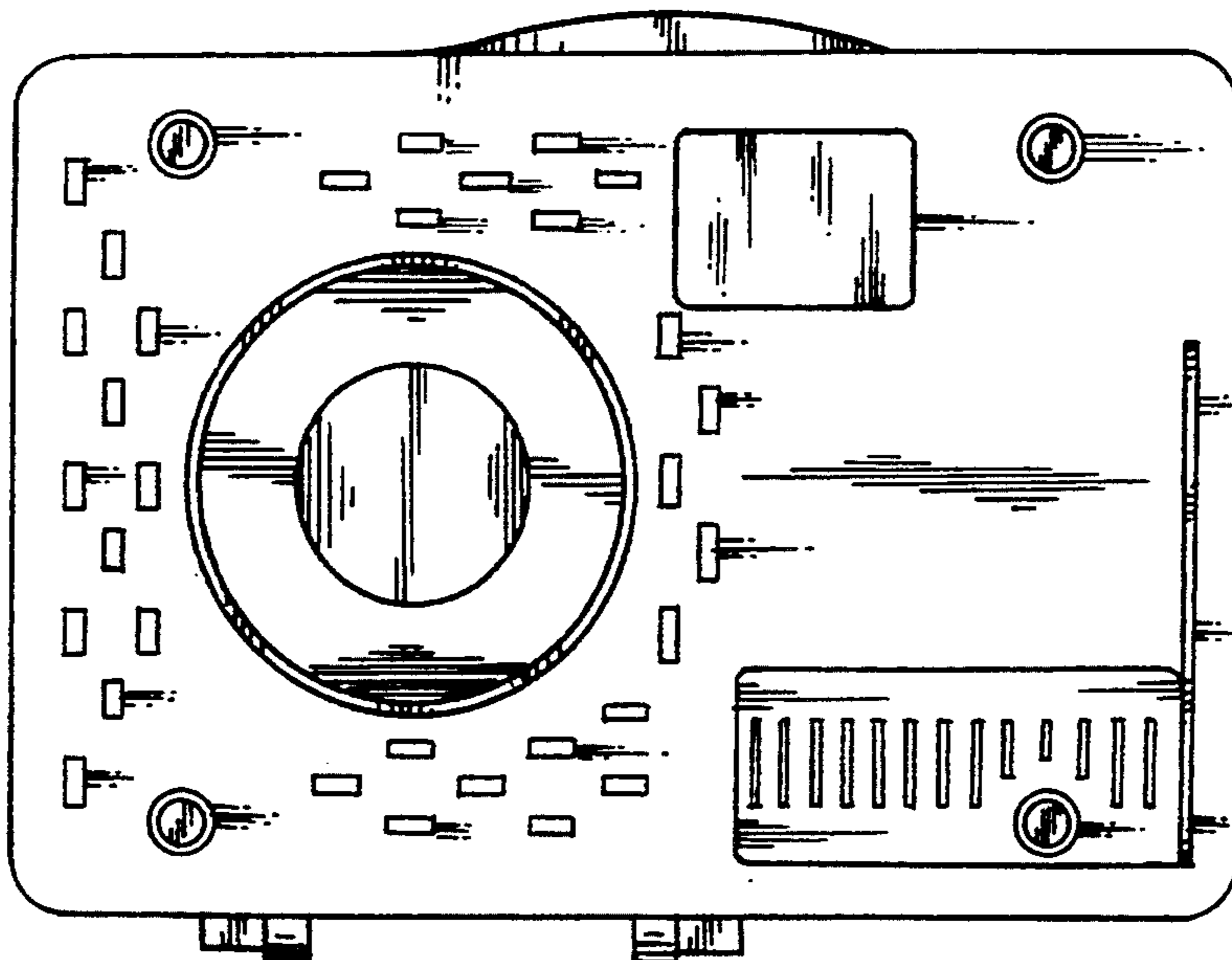


FIG. 6

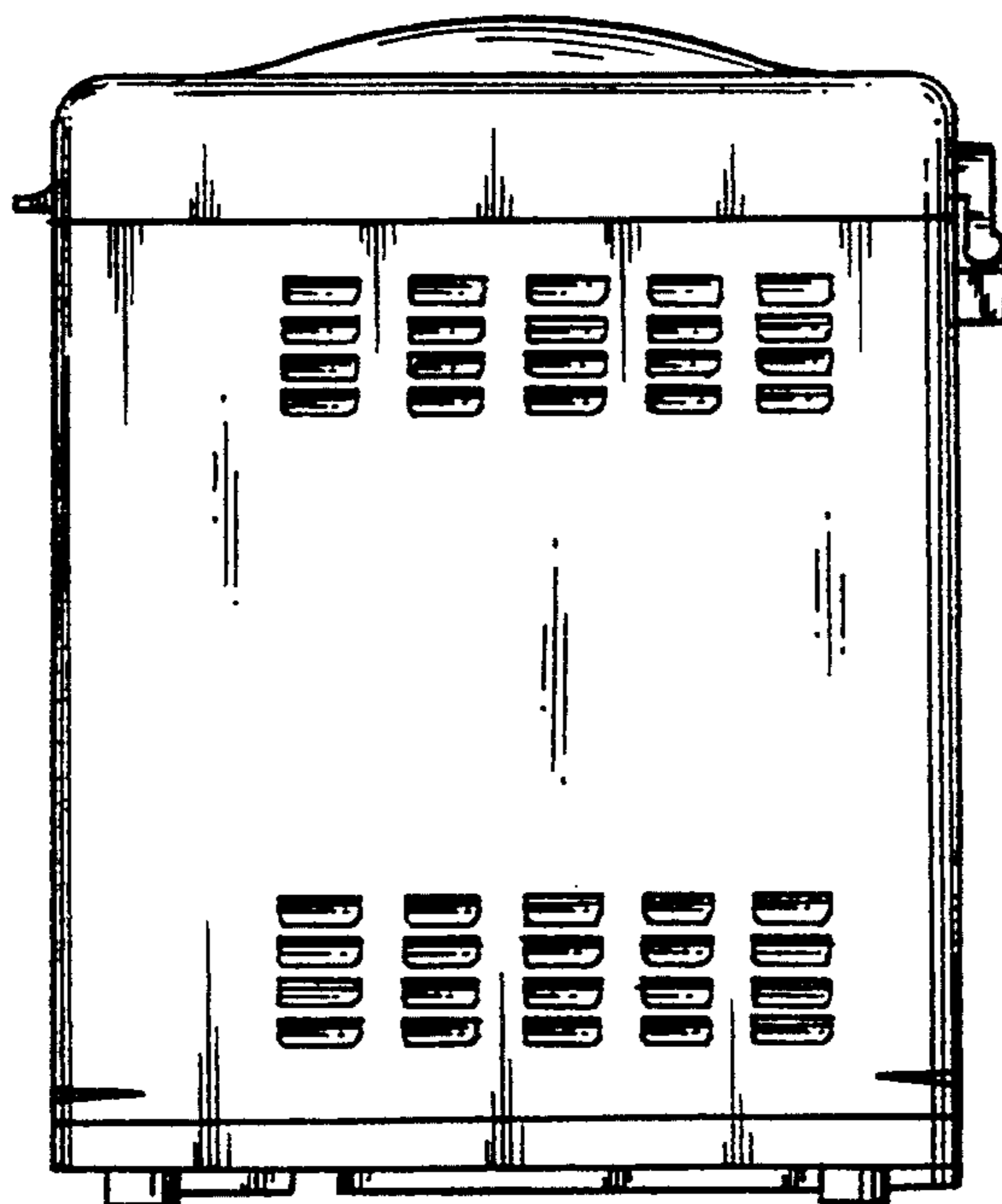


FIG. 7

