



US00D354193S

United States Patent [19] Storsberg

[11] Patent Number: **Des. 354,193**
[45] Date of Patent: **** Jan. 10, 1995**

- [54] **ELECTRIC ESPRESSO MAKER**
- [75] Inventor: **Gunter Storsberg, Solingen, Germany**
- [73] Assignee: **Robert Krups GmbH & Co. KG, Solingen, Germany**
- [**] Term: **14 Years**
- [21] Appl. No.: **9,332**
- [22] Filed: **Jun. 11, 1993**
- [30] **Foreign Application Priority Data**
Dec. 11, 1992 [FR] France 927,519
- [52] U.S. Cl. **D7/309; D7/310; D7/311**
- [58] Field of Search D7/300, 213, 304, 305, D7/306, 307, 308, 309, 310, 311, 312; 99/279

- D. 339,499 6/1993 Seiffert D7/311 X
- D. 340,381 10/1993 Mermillod D7/309
- D. 344,206 2/1994 Azpiri D7/309
- 4,852,474 8/1989 Malich et al. D7/309 X

OTHER PUBLICATIONS

Espresso Maker by Ronoco, HFD Jun. 30, 1980 p. 54.
Espresso Machine, HFD, (Mar. 19, 1984) p. 52.

Primary Examiner—Nelson C. Holtje
Assistant Examiner—M. N. Pandozzi
Attorney, Agent, or Firm—Young & Thompson

[57] CLAIM

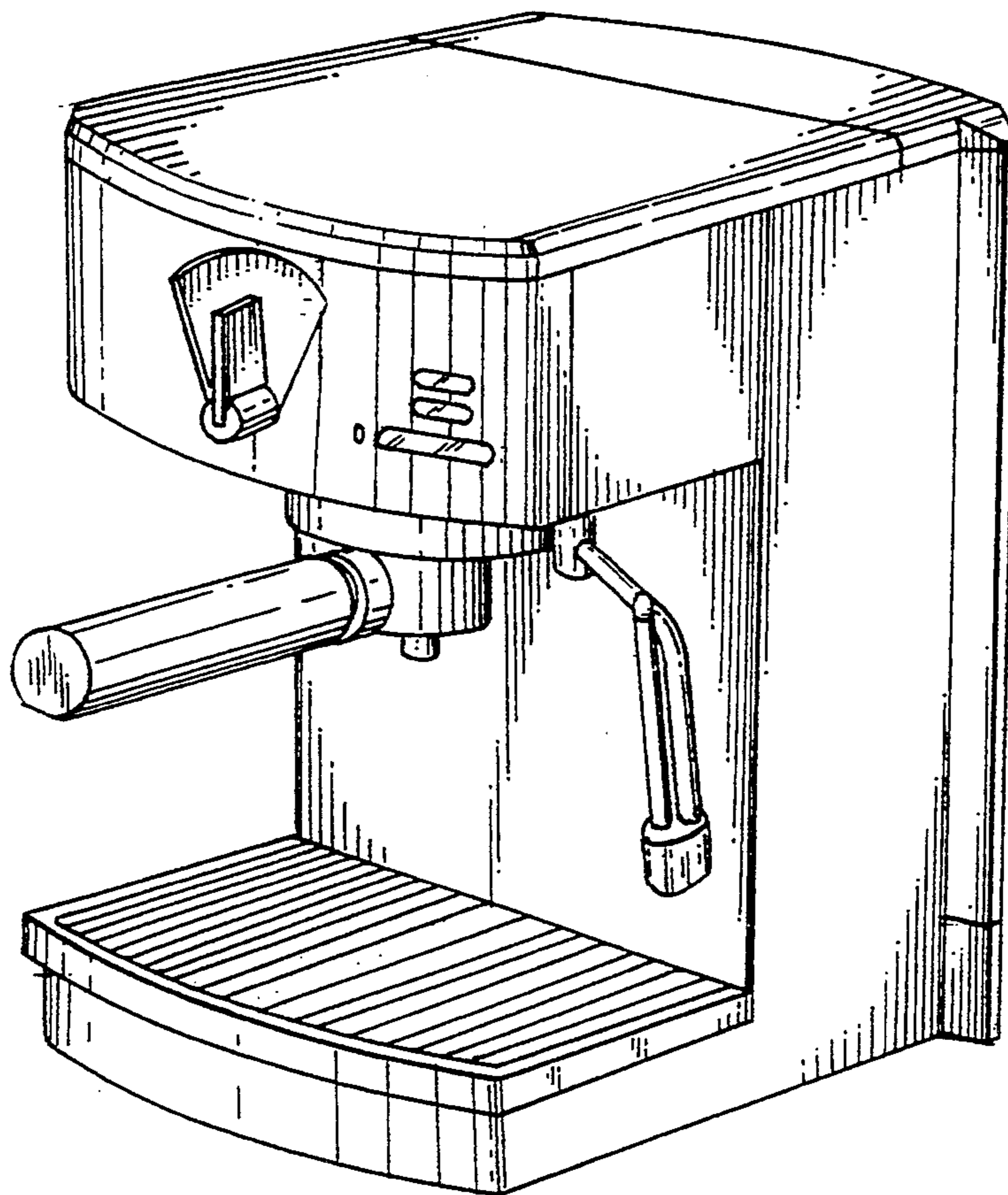
The ornamental design for an electric espresso maker, as shown.

DESCRIPTION

FIG. 1 is a top, front and side perspective view of an electric espresso maker showing my new design;
FIG. 2 is a front elevational view thereof;
FIG. 3 is a side elevational view thereof from the left of FIG. 2;
FIG. 4 is a side elevational view thereof from the right of FIG. 2;
FIG. 5 is a rear elevational view thereof;
FIG. 6 is a top plan view thereof; and,
FIG. 7 is a bottom plan view thereof.

[56] References Cited U.S. PATENT DOCUMENTS

- D. 298,402 11/1988 Seiffert D7/310 X
- D. 323,949 2/1992 Kahlcke D7/309
- D. 324,621 3/1992 Haslacher D7/309
- D. 336,206 6/1993 Littmann D7/309
- D. 337,475 7/1993 Seiffert D7/309



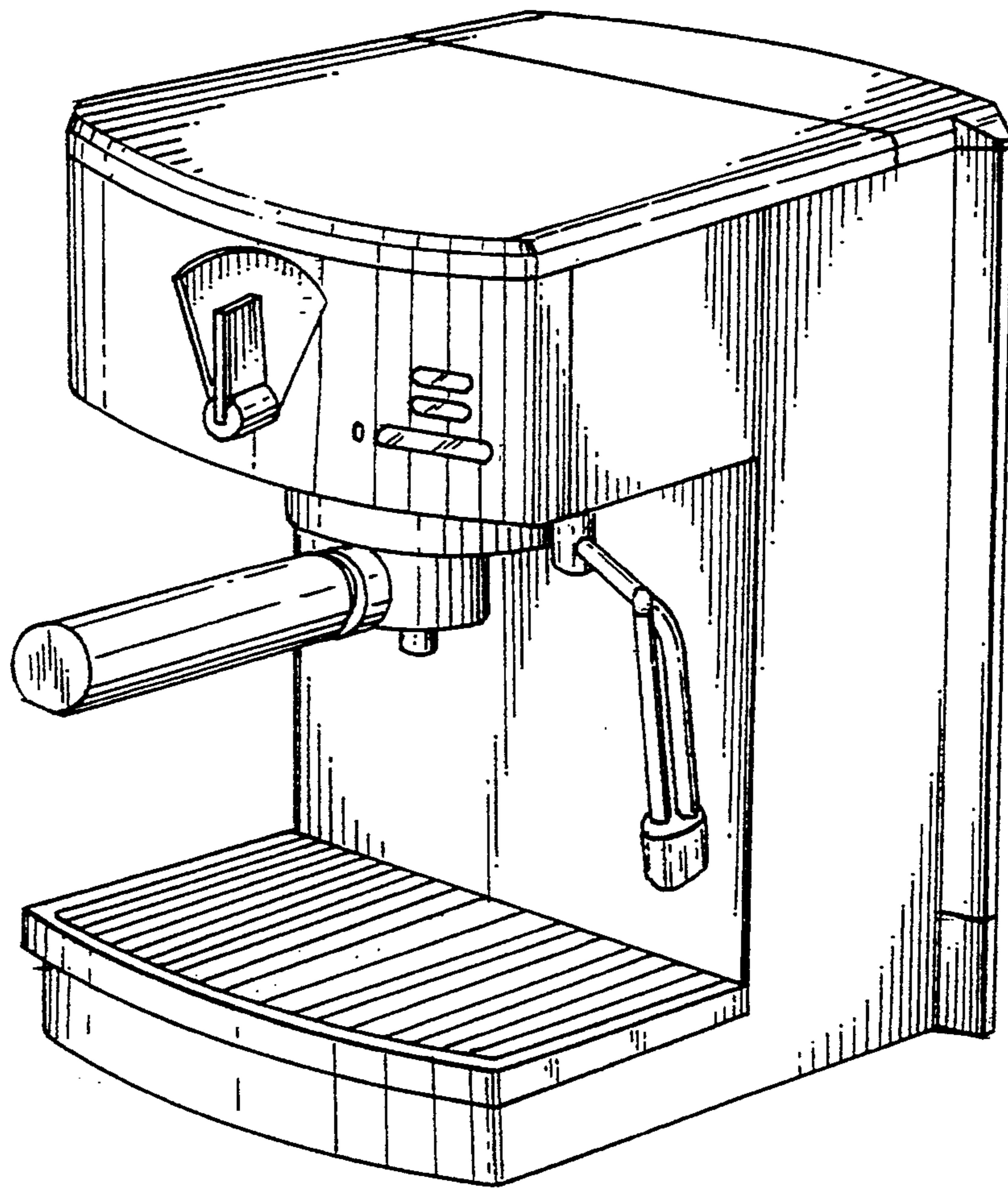


FIG. 1

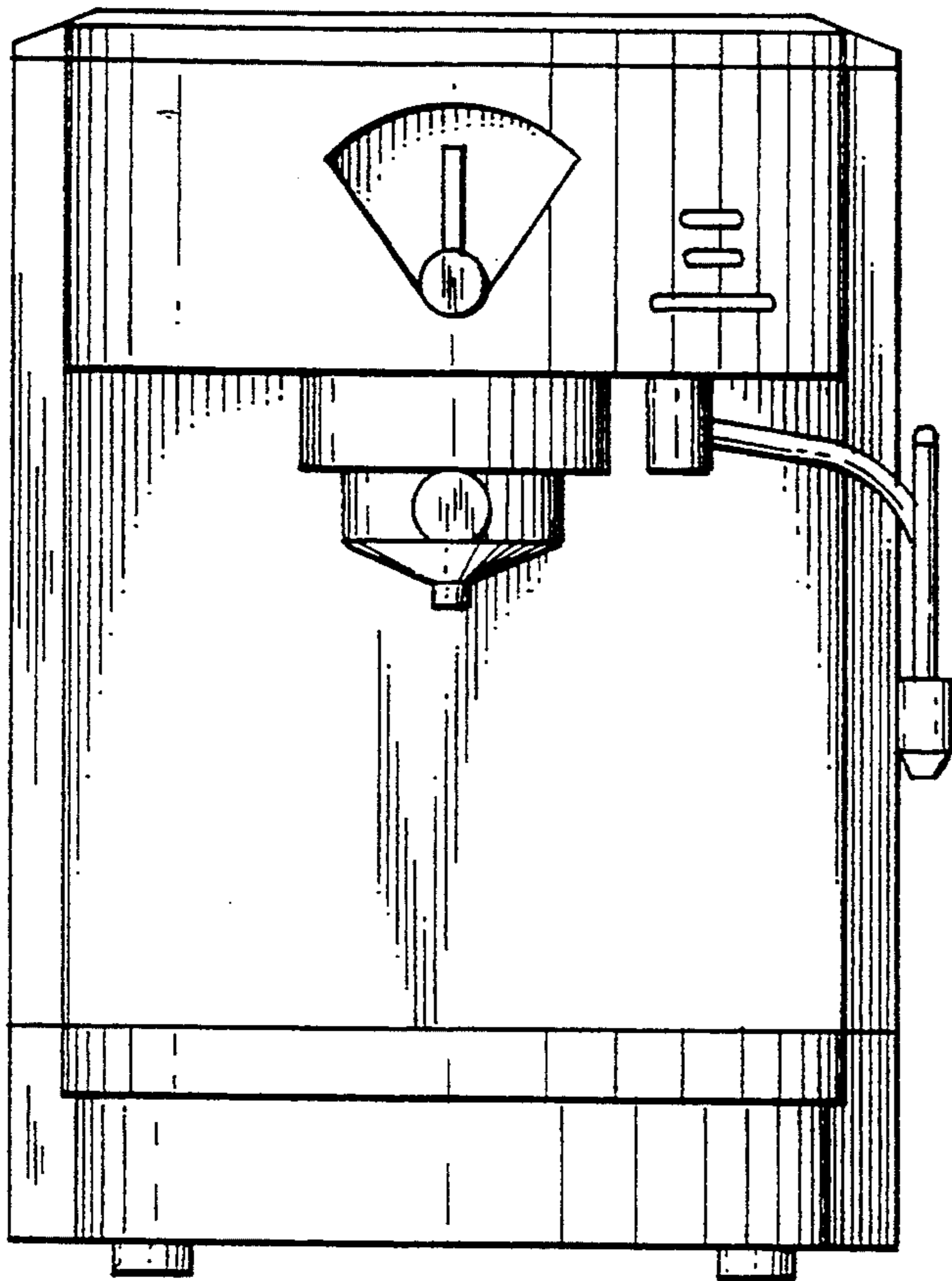


FIG. 2

FIG. 3

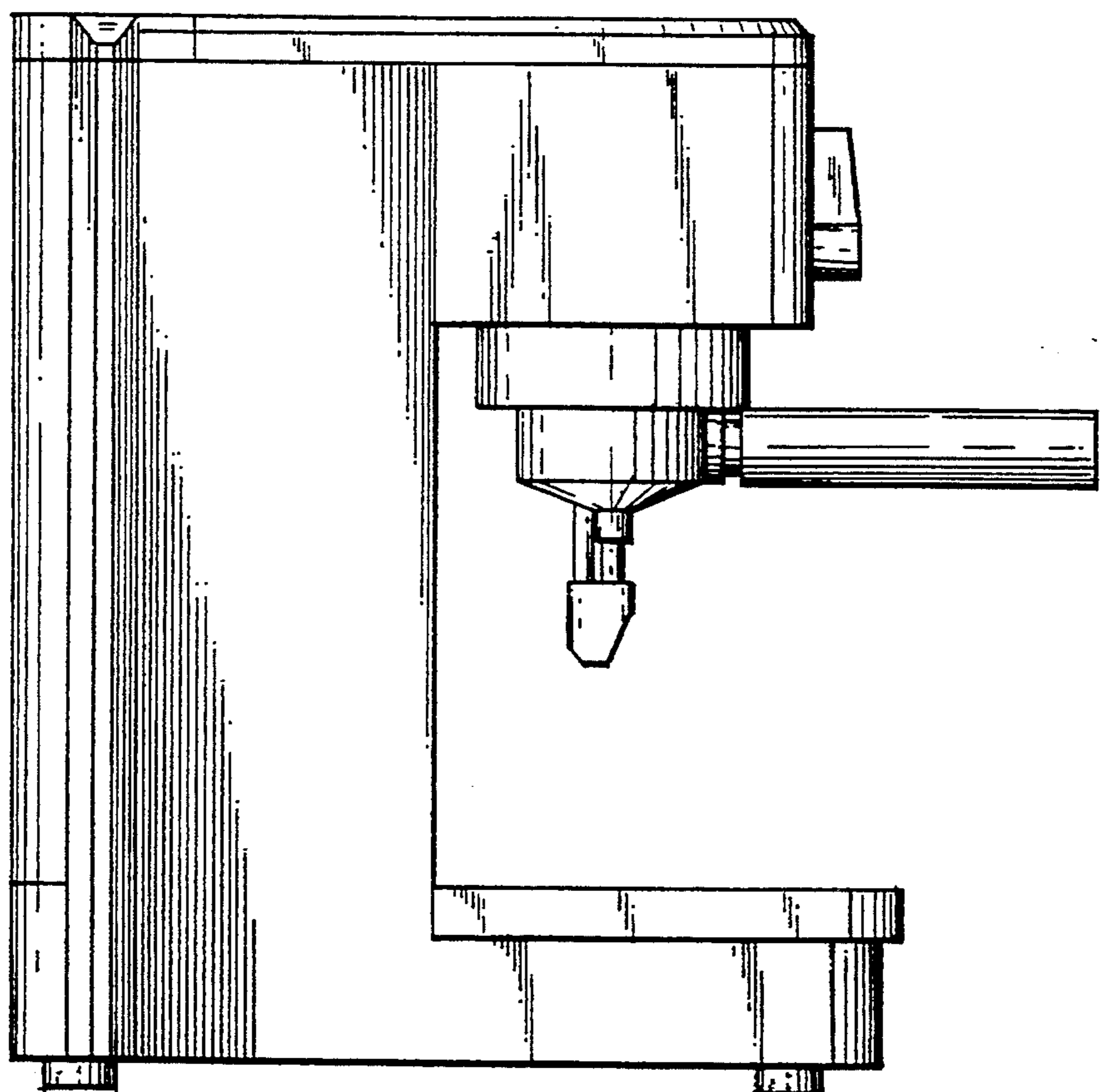


FIG. 4

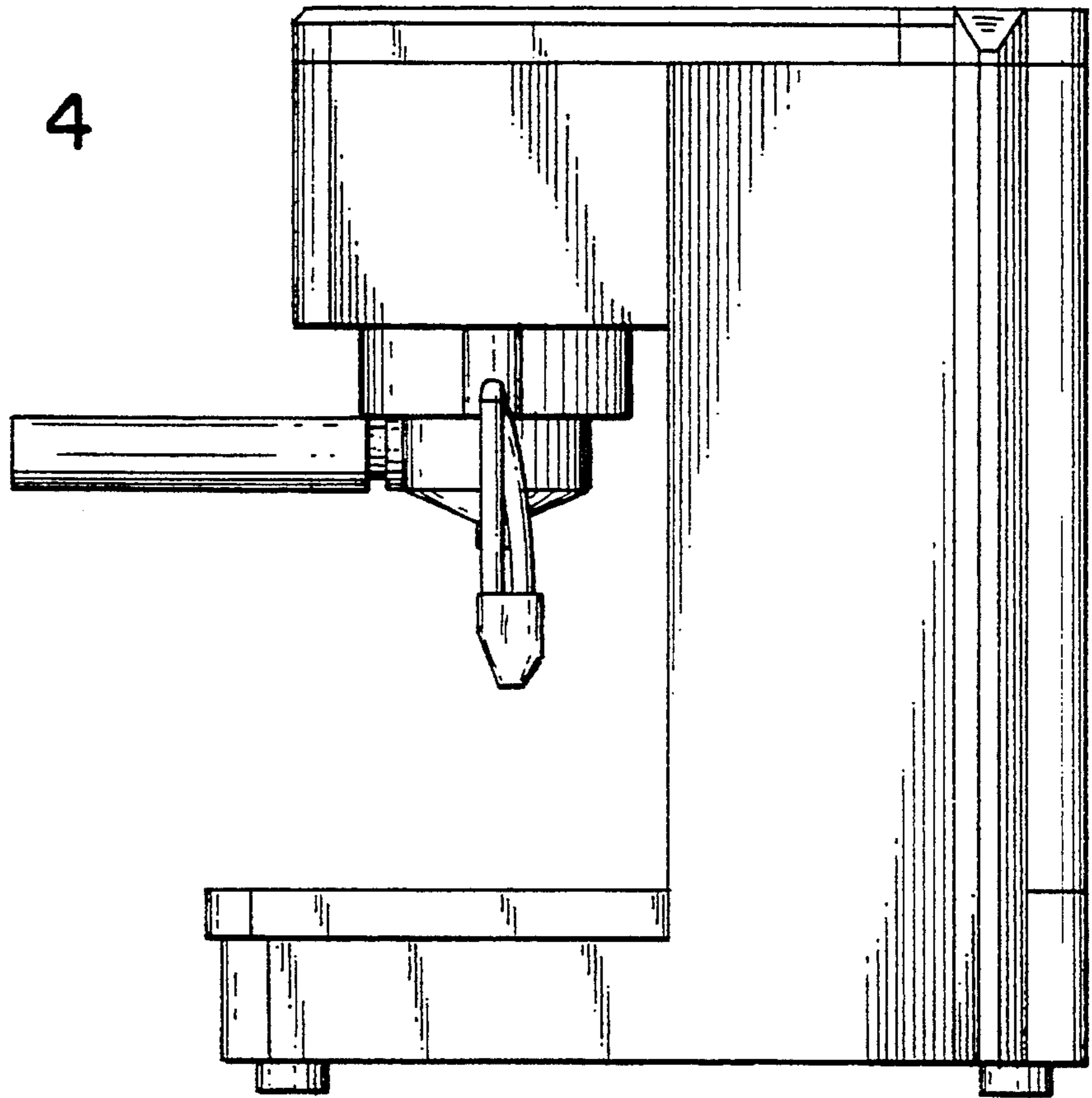
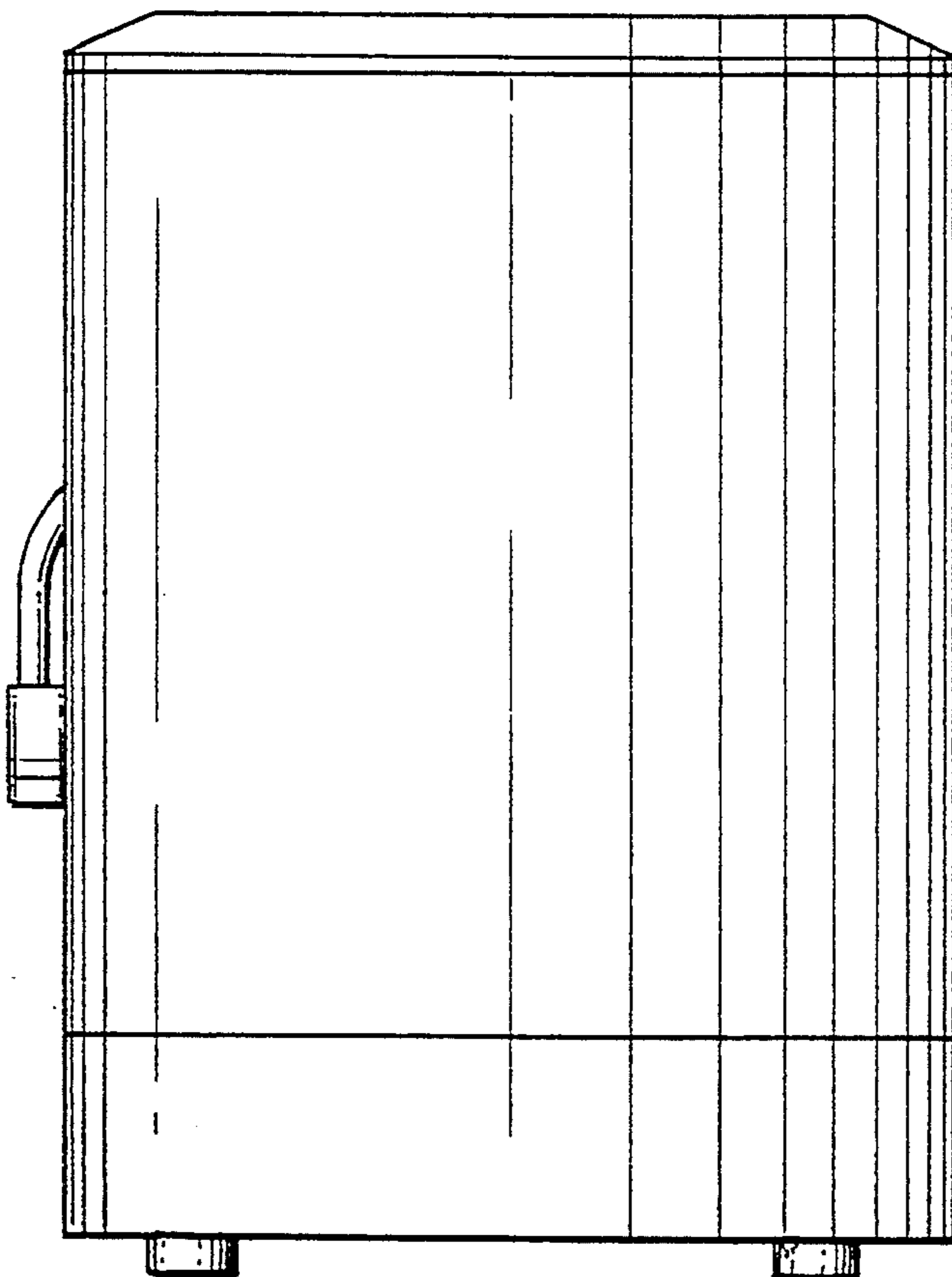


FIG. 5



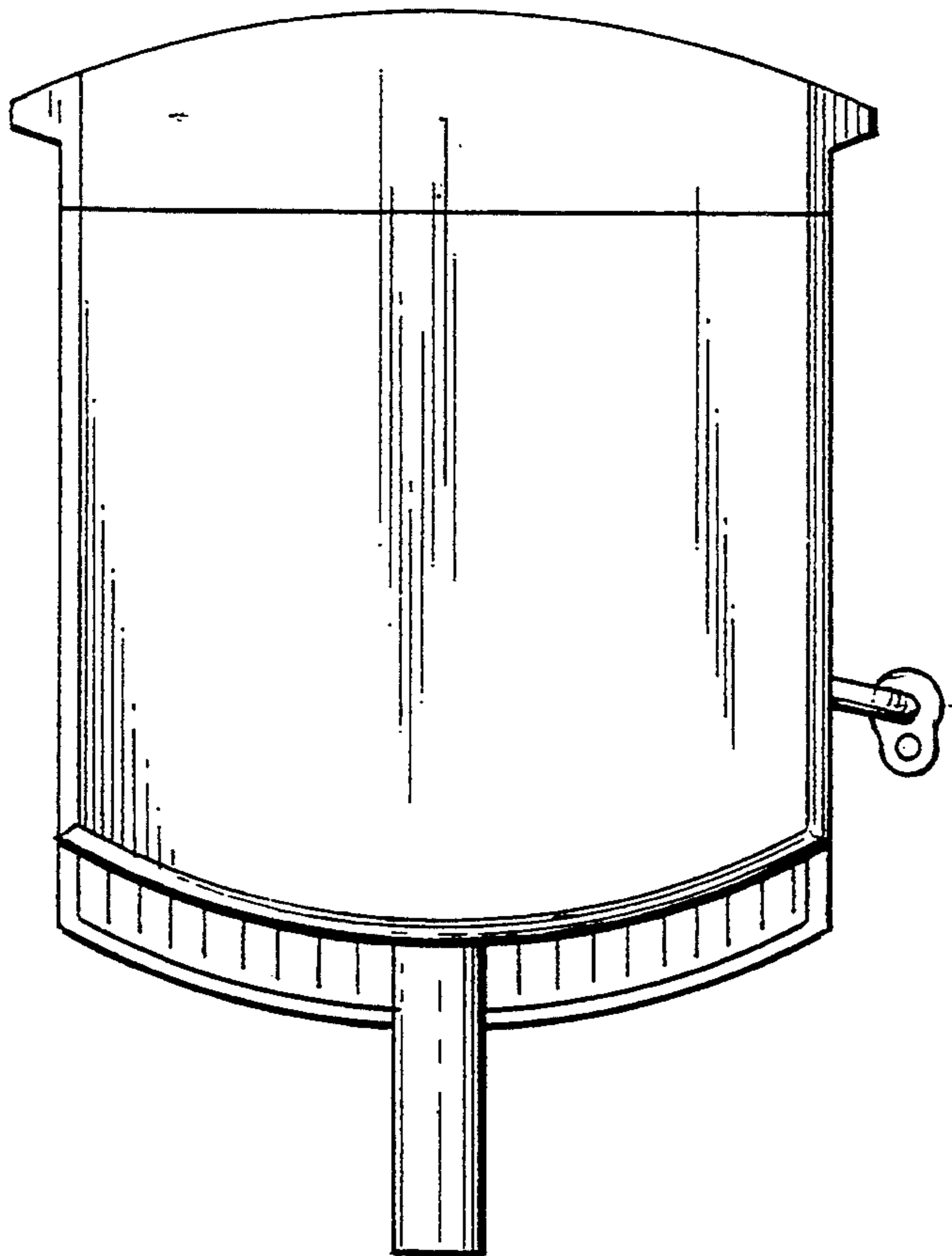


FIG. 6

FIG. 7

