



US00D354189S

United States Patent [19] Underdahl

[11] Patent Number: **Des. 354,189**

[45] Date of Patent: **** Jan. 10, 1995**

[54] **ORNAMENTAL LOUVER**

[75] Inventor: **Russell H. Underdahl**, Arden Hills, Minn.

[73] Assignee: **Pinecrest, Inc.**, Minneapolis, Minn.

[**] Term: **14 Years**

[21] Appl. No.: **2,174**

[22] Filed: **Dec. 3, 1992**

[52] U.S. Cl. **D6/580; D6/575; D6/577**

[58] Field of Search **D6/575, 577, 580; 49/74.1, 92.1; 160/236; D25/47, 53**

[56] **References Cited**

U.S. PATENT DOCUMENTS

- D. 169,811 6/1953 Heinley D6/580
- D. 304,497 11/1989 Briggs, Sr. .
- 345,689 7/1886 Hayes .
- 4,887,391 12/1989 Briggs, Sr. .
- 4,974,362 12/1990 Briggs, Sr. .

FOREIGN PATENT DOCUMENTS

- 928192 11/1947 France 49/74.1
- 983857 6/1951 France 49/92.1
- 1186733 4/1959 France 160/236

OTHER PUBLICATIONS

2-page brochure re. the Pinecrest Light Shapers, © Pinecrest, 1988.

Primary Examiner—Nelson C. Holtje
Assistant Examiner—Monica A. Hannon
Attorney, Agent, or Firm—Merchant, Gould, Smith, Edell, Welter & Schmidt

[57] **CLAIM**

The ornamental design for an ornamental louver, as shown and described.

DESCRIPTION

FIG. 1 is a perspective view of a louver according to the principles of the present invention;
FIG. 2 is a left end view thereof, a right end view not being shown, as it is a mirror image of the left end view;
FIG. 3 is a front elevational view thereof;
FIG. 4 is a bottom plan view thereof;
FIG. 5 is a rear elevational view thereof; and,
FIG. 6 is a top plan view thereof.

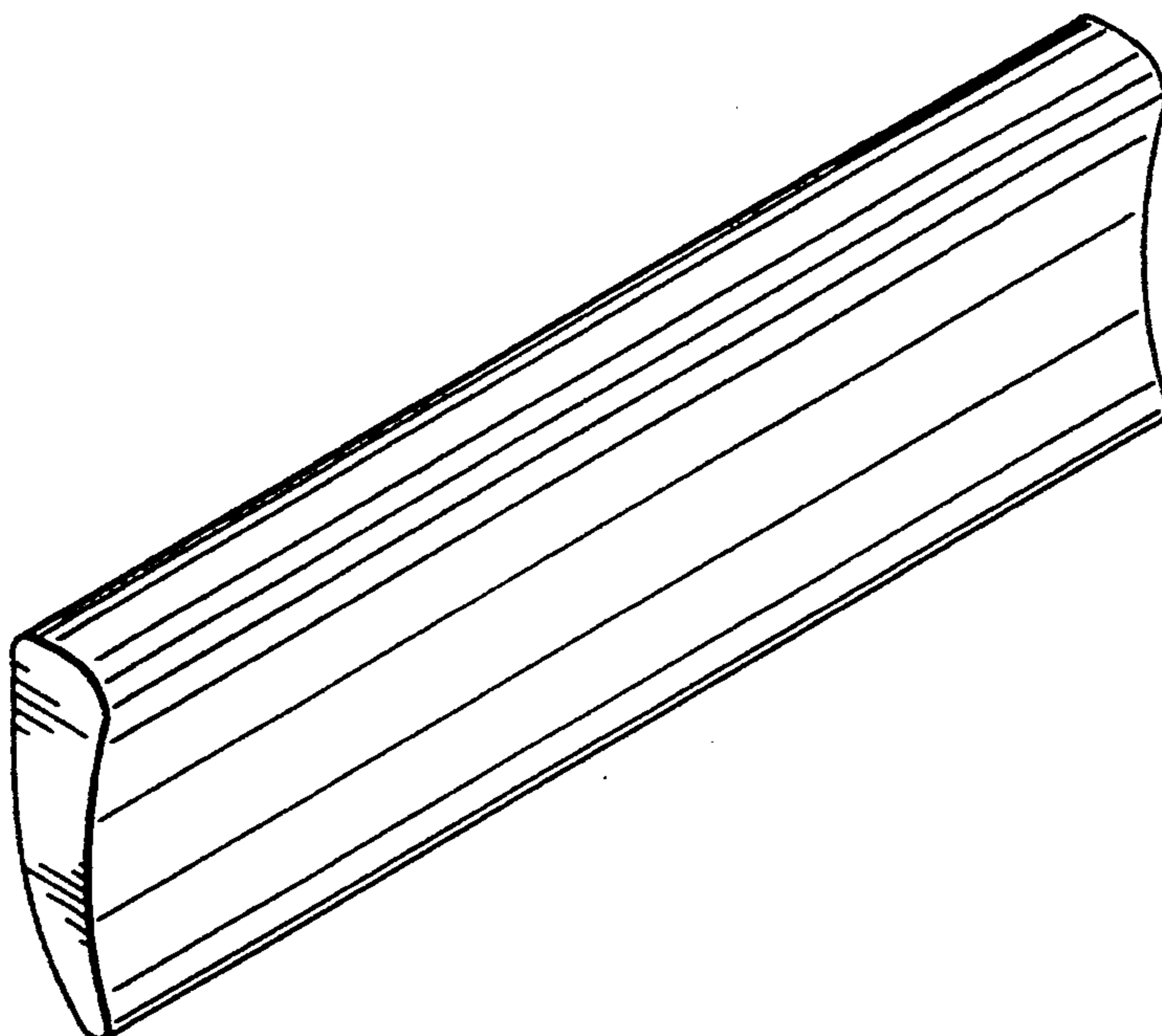


FIG. 1

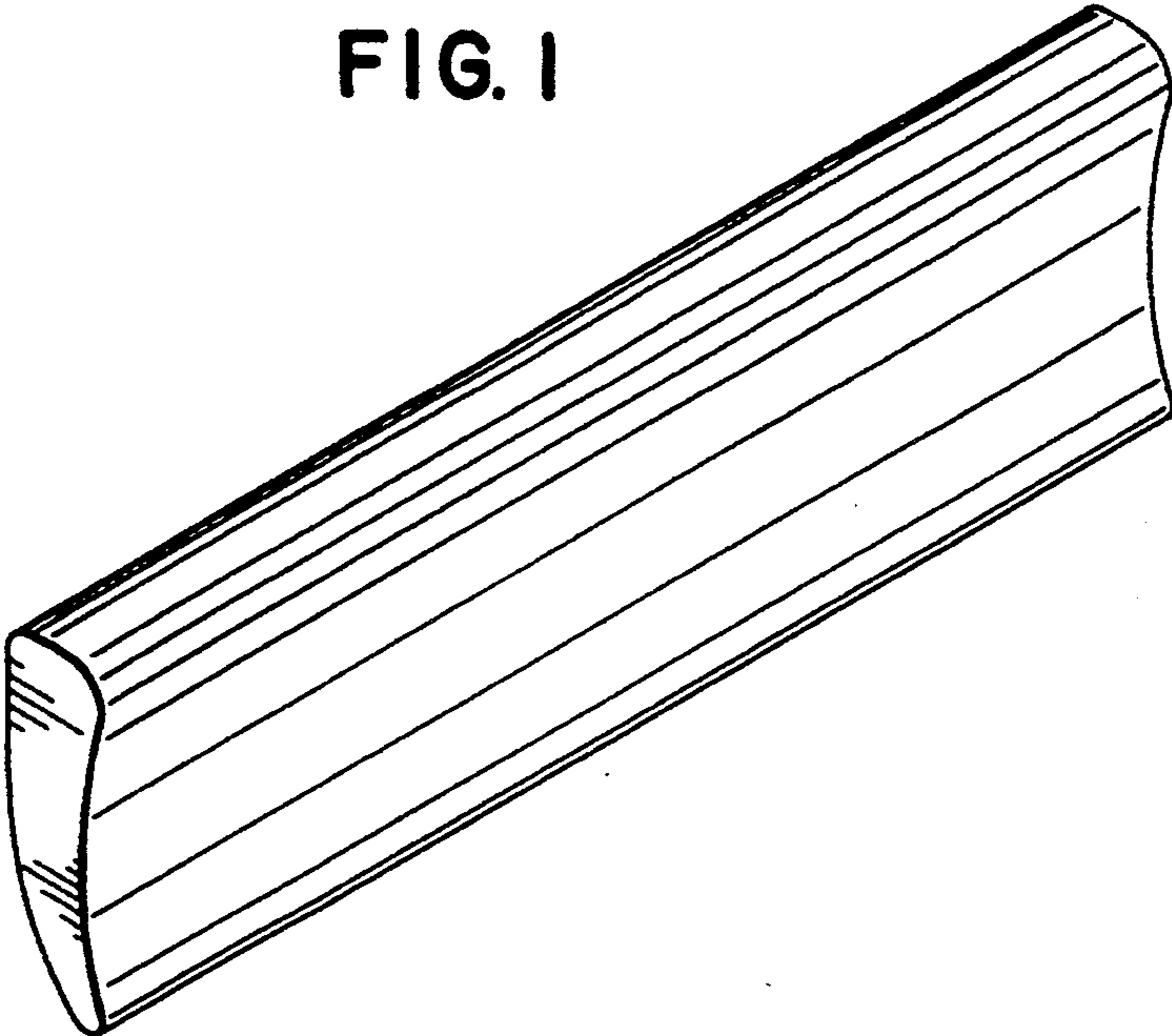


FIG. 2



FIG. 3

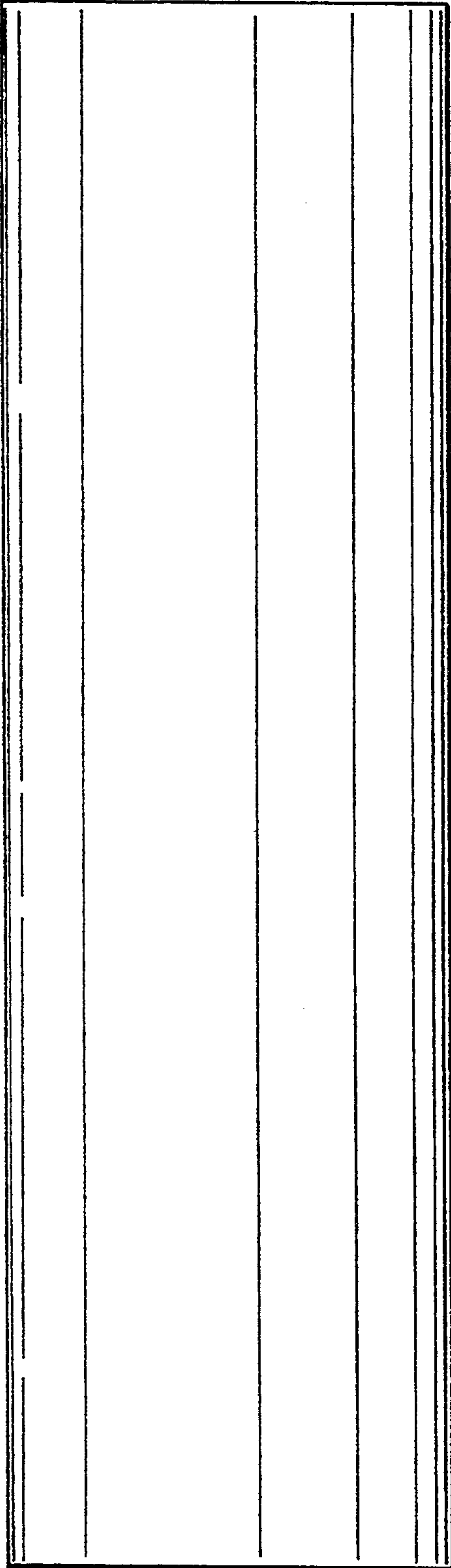


FIG. 4

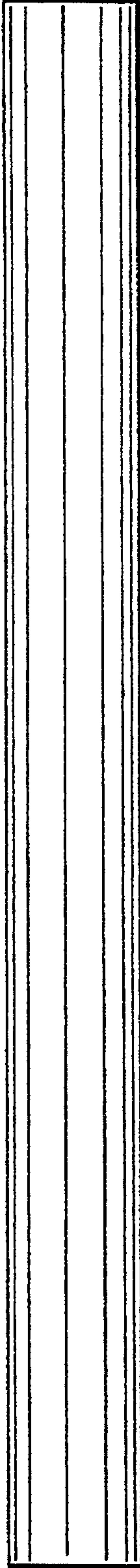


FIG. 5

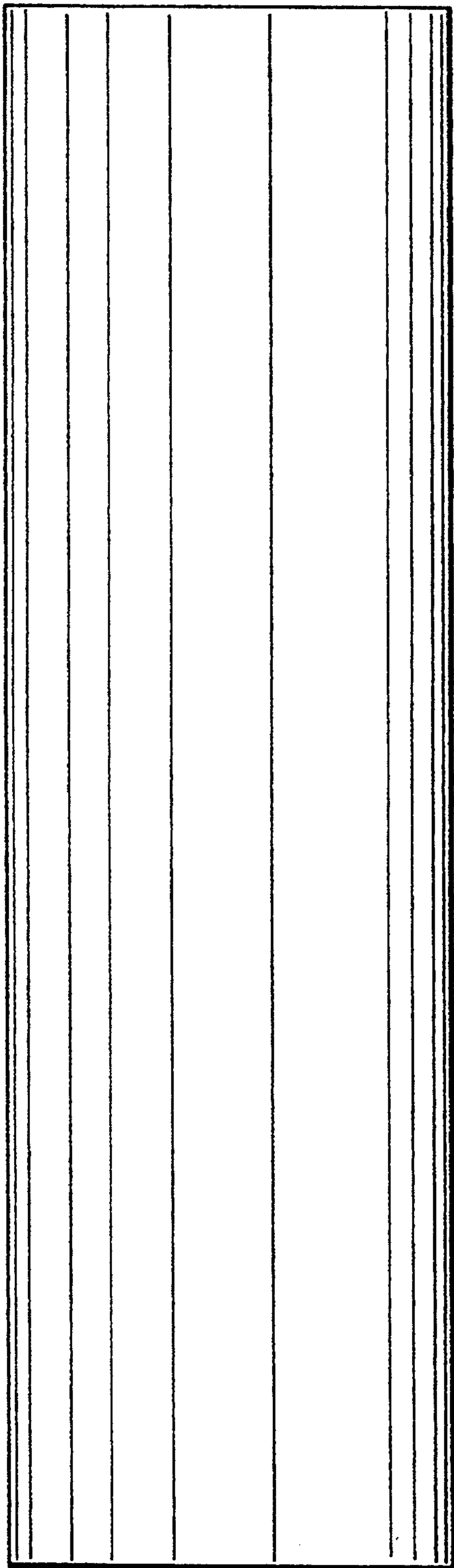


FIG. 6

