



US00D354187S

United States Patent [19]

[11] Patent Number: **Des. 354,187**

Daukus et al.

[45] Date of Patent: **** Jan. 10, 1995**

[54] **DESK TOP PANEL**

[76] Inventors: **Patricia J. Daukus**, 1206 S. Ridge, Arlington Heights, Ill. 60005; **Joanne Robinson**, 16 Aldine Rd., Lake Zurich, Ill. 60047; **Richard Daukus**, 1206 S. Ridge, Arlington Heights, Ill. 60005

[**] Term: **14 Years**

[21] Appl. No.: **2,012**

[22] Filed: **Nov. 30, 1992**

[52] U.S. Cl. **D6/511; D6/406; D6/419**

[58] Field of Search **D6/510, 511, 406, 419, D6/420, 422-425, 338; 108/12, 17, 43, 33, 63; 297/174; D3/74; 312/231-233, 140.3**

[56] **References Cited**

U.S. PATENT DOCUMENTS

D. 56,168	8/1920	Schreiber	D6/420
D. 234,560	3/1975	Hauner	D6/425
D. 282,218	1/1986	Catelli	D6/406 X
D. 329,547	9/1992	Hageman	D6/406
910,041	1/1909	Campbell	312/232
1,358,004	11/1920	Lietz	312/232 X
1,689,890	10/1928	Roberts	312/232 X
3,744,435	7/1973	Tracey et al.	312/231 X
4,094,255	6/1978	Zaccaria	108/150 X
5,028,048	7/1991	Watson et al.	D6/406 X

Primary Examiner—Janice E. Seeger
Attorney, Agent, or Firm—Olson & Hierl, Ltd.

[57] **CLAIM**

The ornamental design for a desk top panel, as shown and described.

DESCRIPTION

FIG. 1 is a perspective view of a desk top panel, showing our new design;
FIG. 2 is a front elevational view of the embodiment shown in FIG. 1;
FIG. 3 is a rear elevational view of the embodiment shown in FIG. 2;
FIG. 4 is a left side elevational view of the embodiment shown in FIG. 1;

FIG. 5 is a top plan view of the embodiment shown in FIG. 1;
FIG. 6 is a right side elevational view of the embodiment shown in FIG. 1;
FIG. 7 is a perspective view, showing a second embodiment of our new design;
FIG. 8 is a front elevational view of the embodiment shown in FIG. 7;
FIG. 9 is a rear elevational view of the embodiment shown in FIG. 7;
FIG. 10 is a right side elevational view of the embodiment shown in FIG. 7;
FIG. 11 is a left side elevational view of the embodiment shown in FIG. 7;
FIG. 12 is a top plan view of the embodiment shown in FIG. 7;
FIG. 13 is a perspective view, showing a third embodiment of our new design;
FIG. 14 is a front elevational view of the embodiment shown in FIG. 13;
FIG. 15 is a rear elevational view of the embodiment shown in FIG. 13;
FIG. 16 is a right side elevational view of the embodiment as shown in FIG. 13;
FIG. 17 is a left side elevational view of the embodiment as shown in FIG. 13;
FIG. 18 is a top plan view of the embodiment shown in FIG. 13;
FIG. 19 is a perspective view of the embodiment shown in FIG. 13 but showing the hinged front portion of the desk top in an open position;
FIG. 20 is a perspective view, showing a fourth embodiment of our new design;
FIG. 21 is a front elevational view of the embodiment shown in FIG. 20;
FIG. 22 is a rear elevational view of the embodiment shown in FIG. 20;
FIG. 23 is a left side elevational view of the embodiment shown in FIG. 20;
FIG. 24 is a top plan view of the embodiment shown in FIG. 20; and,
FIG. 25 is a right side elevational view of the embodiment shown in FIG. 20.
The broken lines in FIGS. 1, 7, 13 and 20 are for environmental purposes only and form no part of the claimed design.

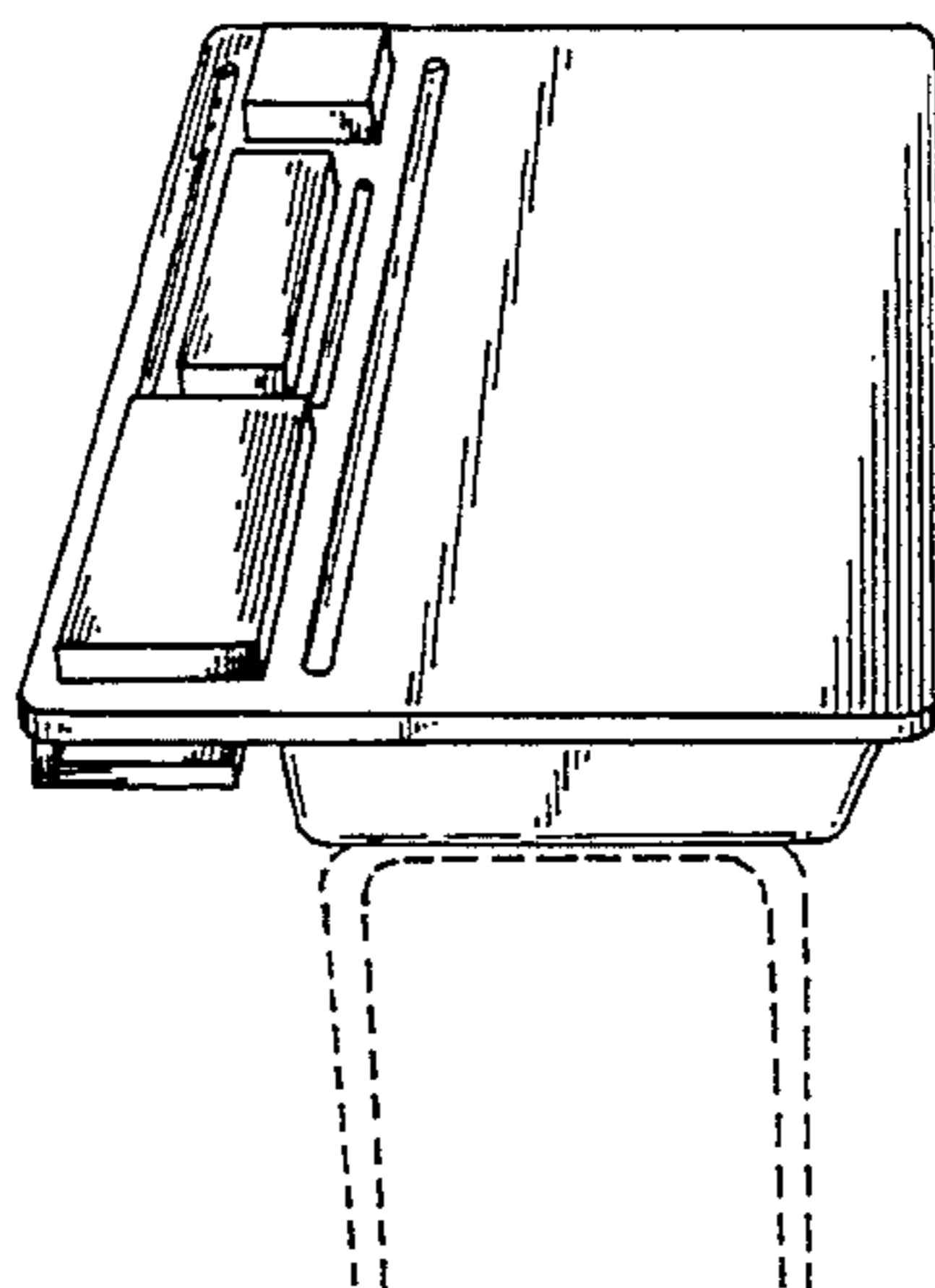


FIG. 1

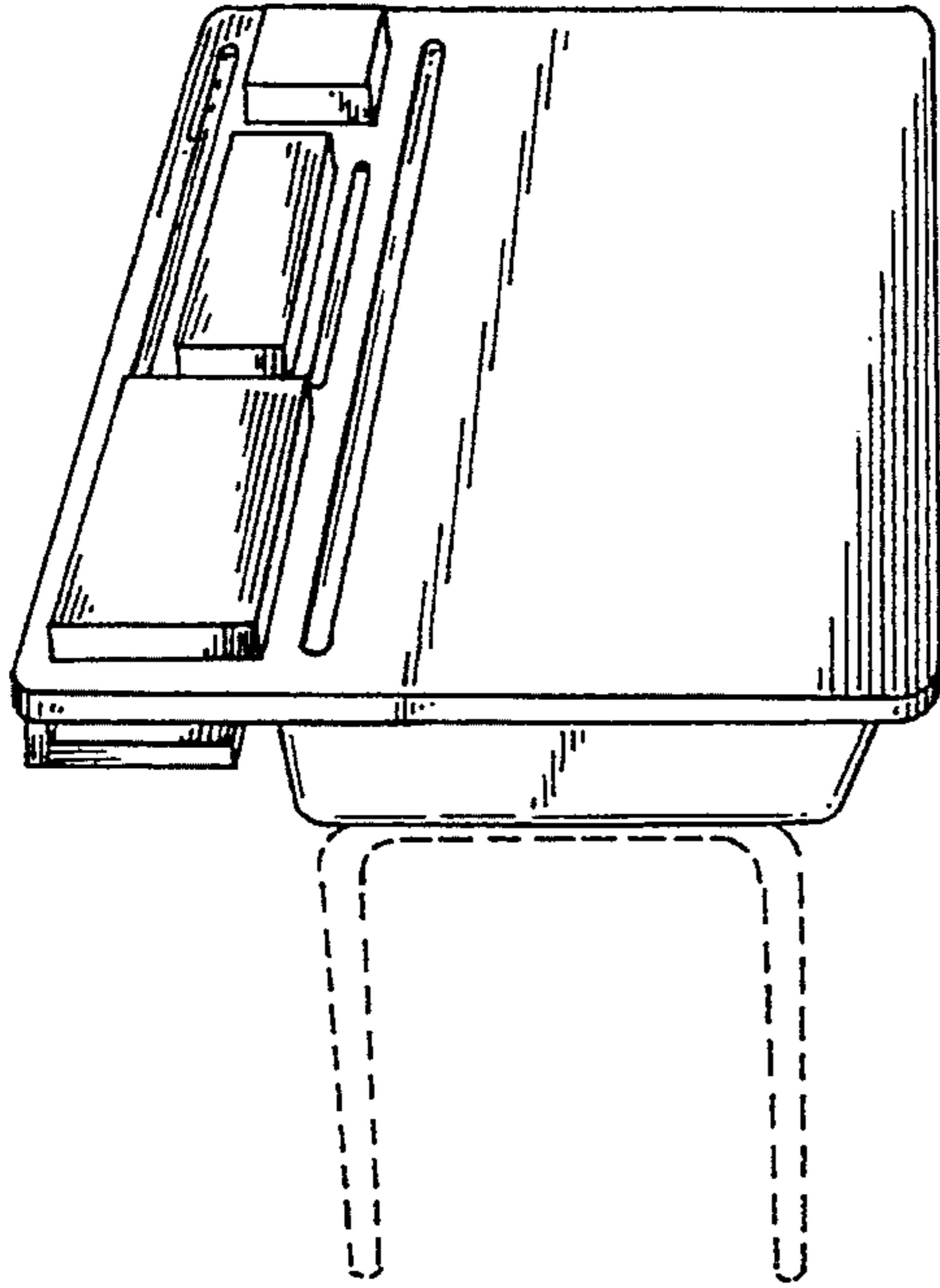


FIG. 2

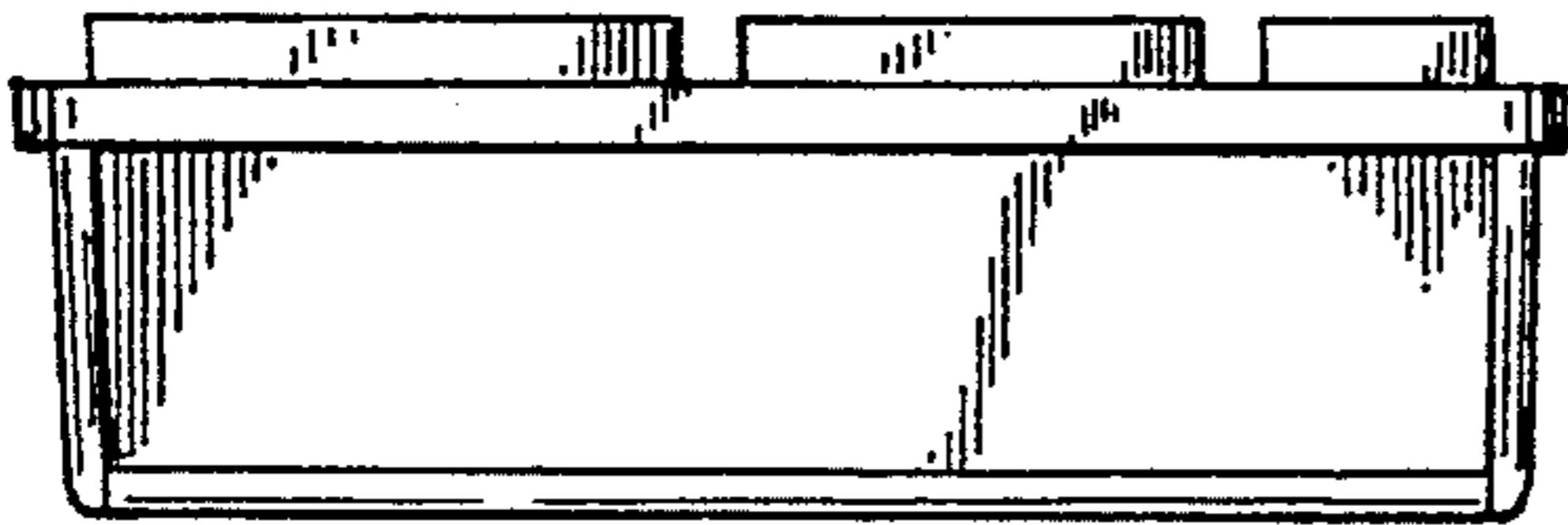


FIG. 3

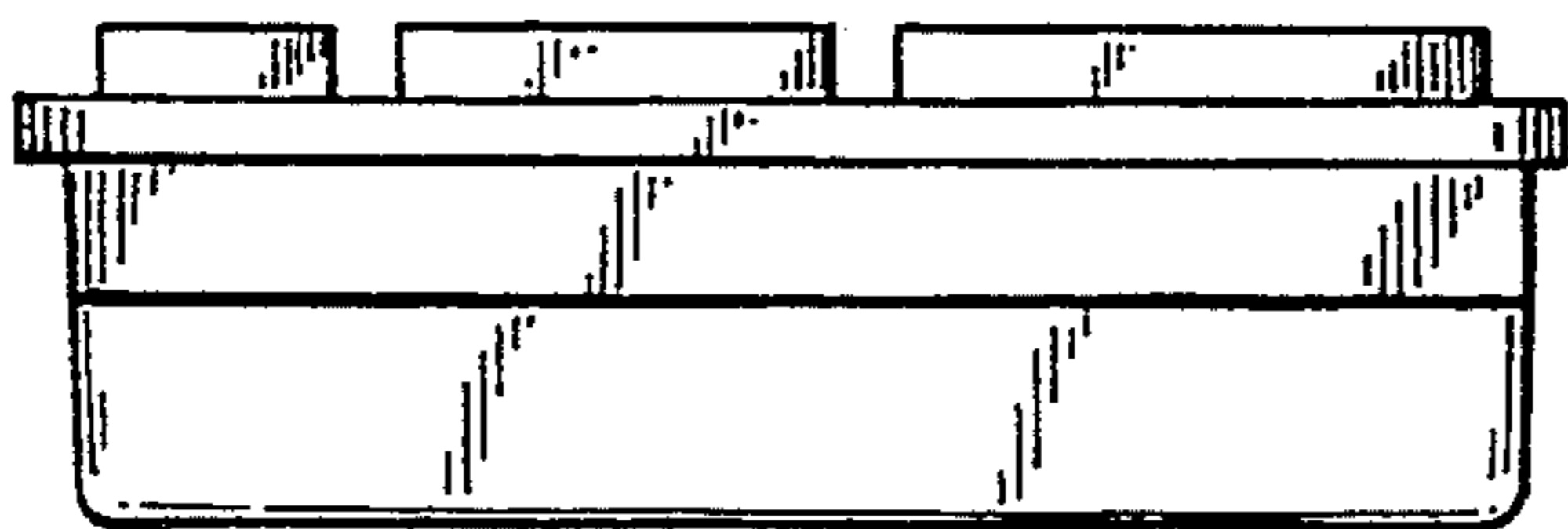


FIG. 4

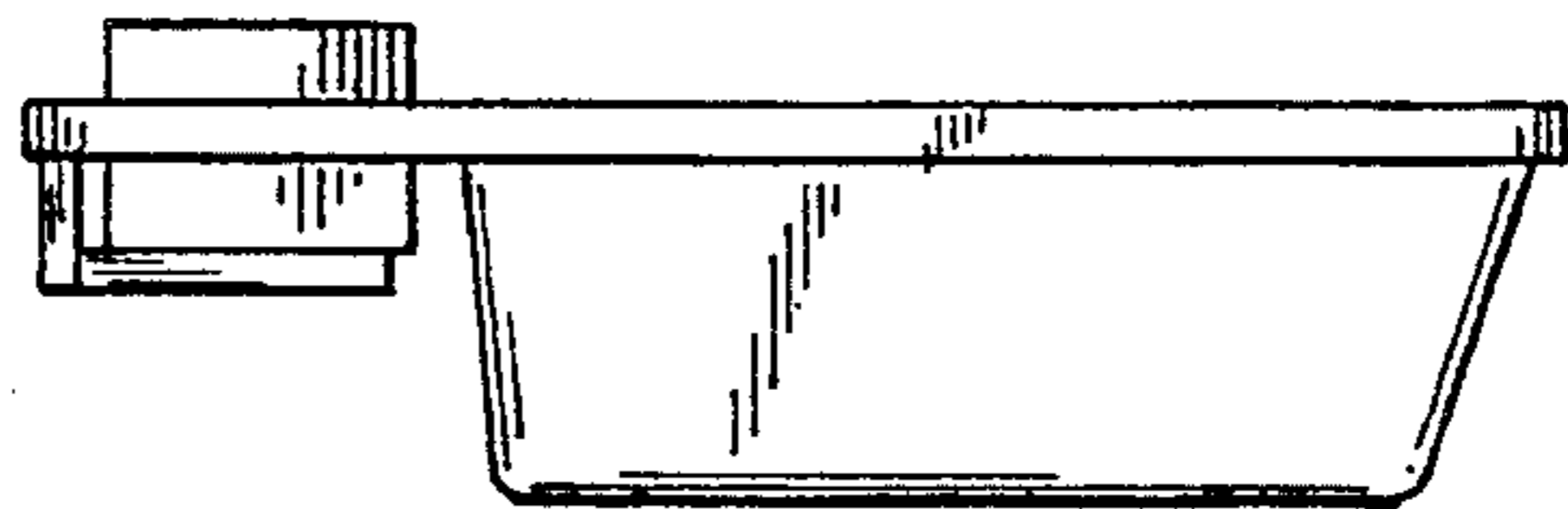


FIG. 5

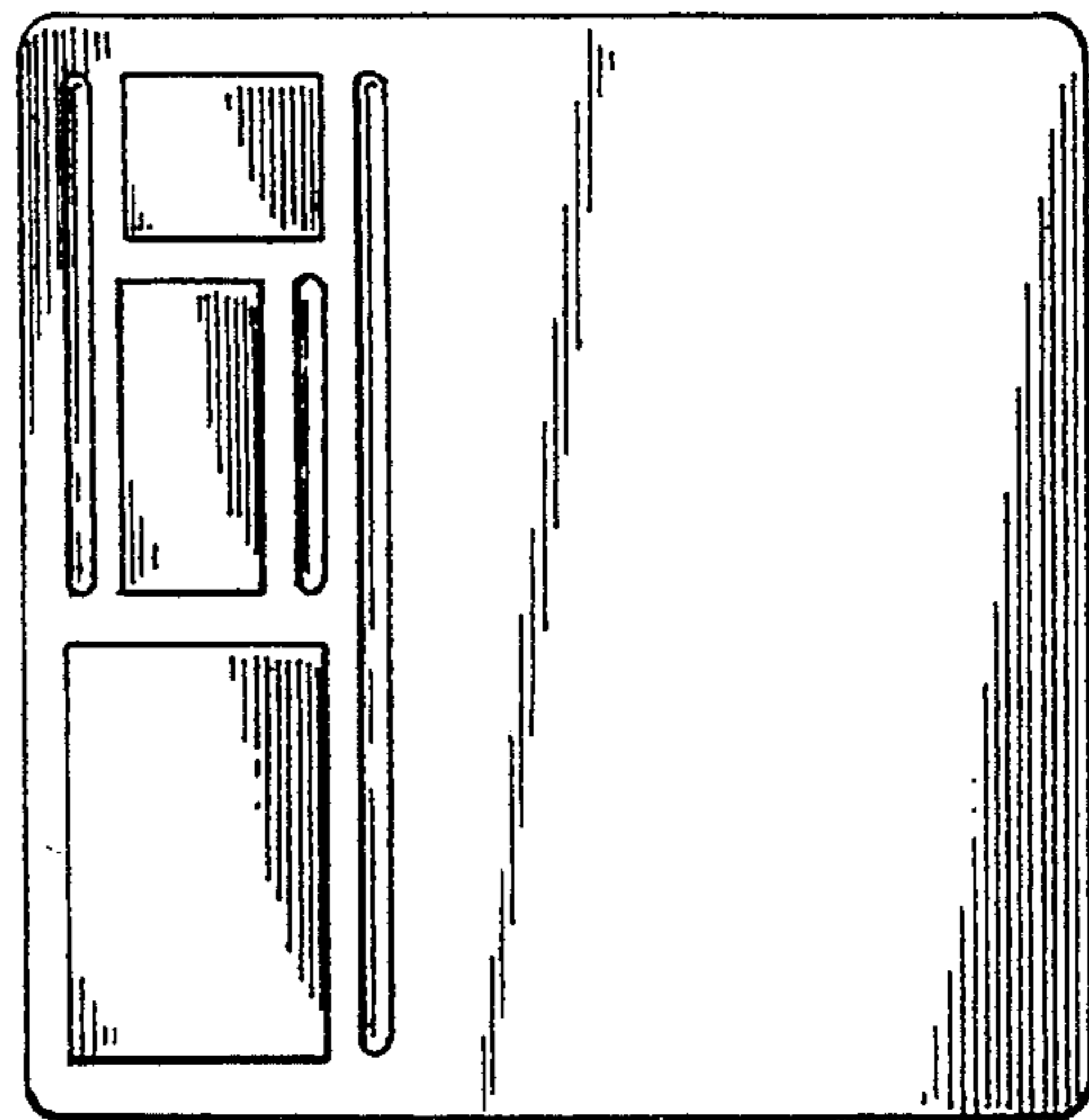


FIG. 6

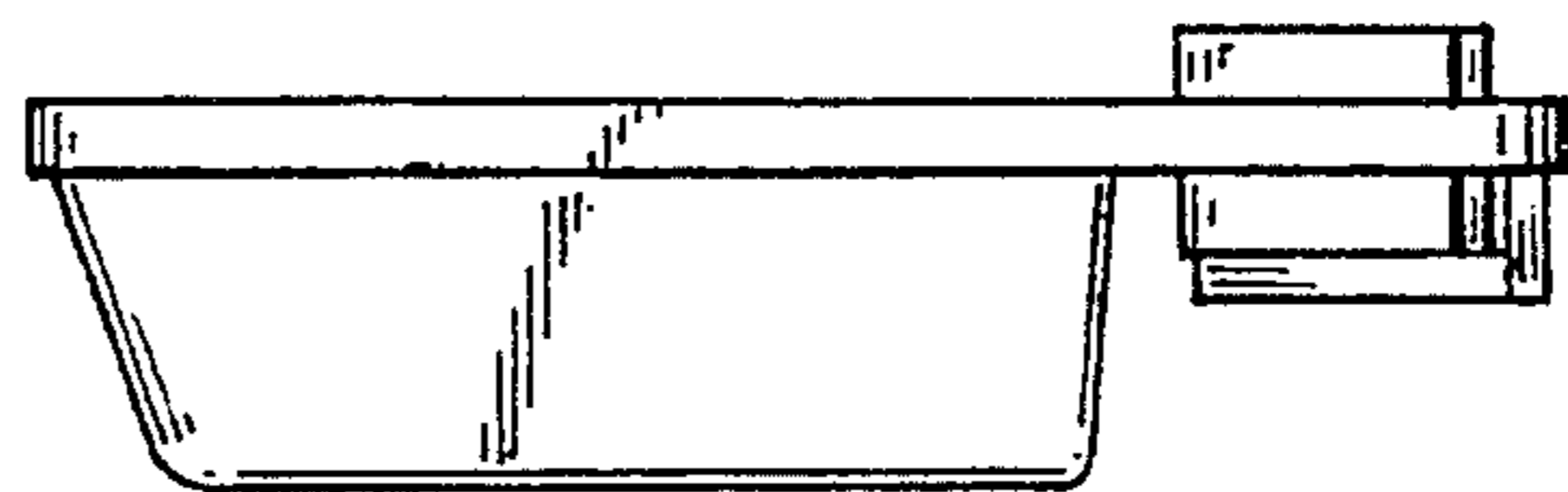


FIG. 7

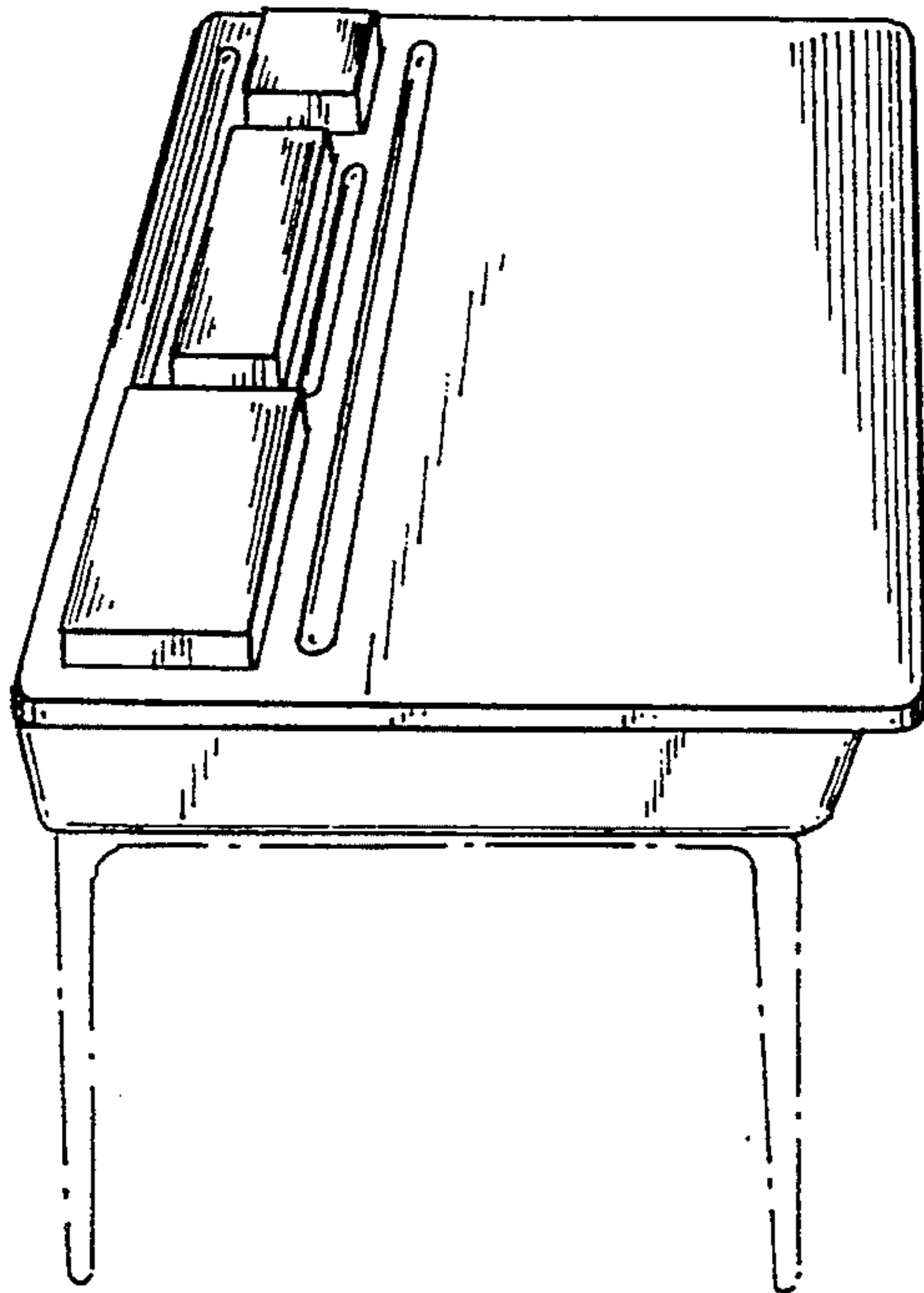


FIG. 11

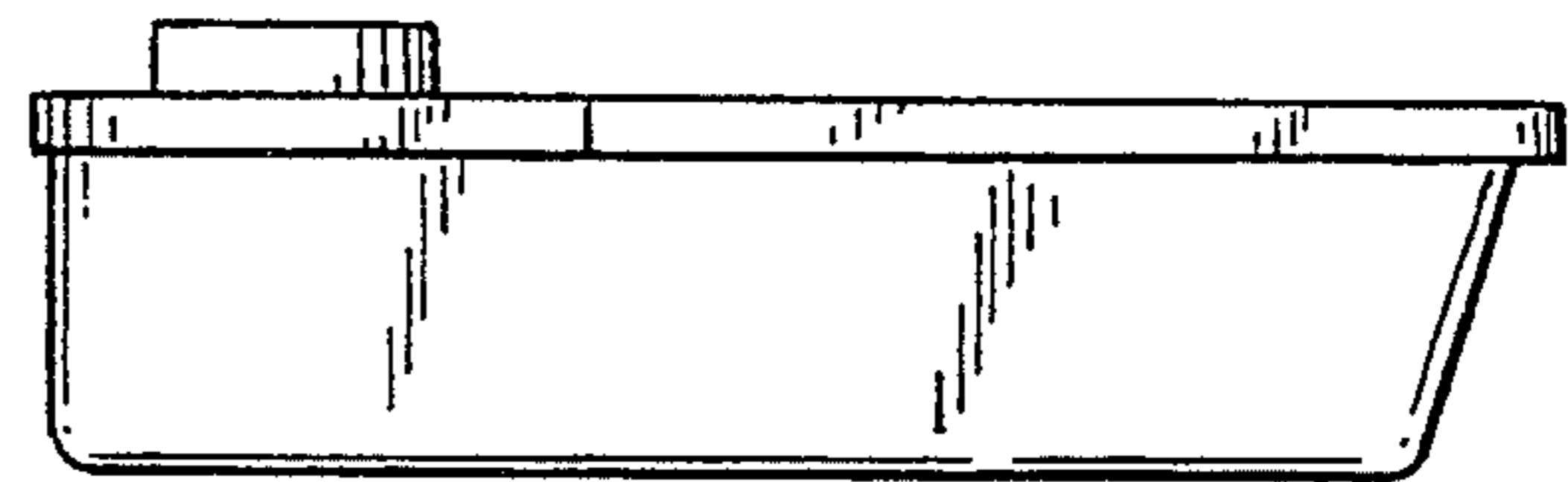


FIG. 12

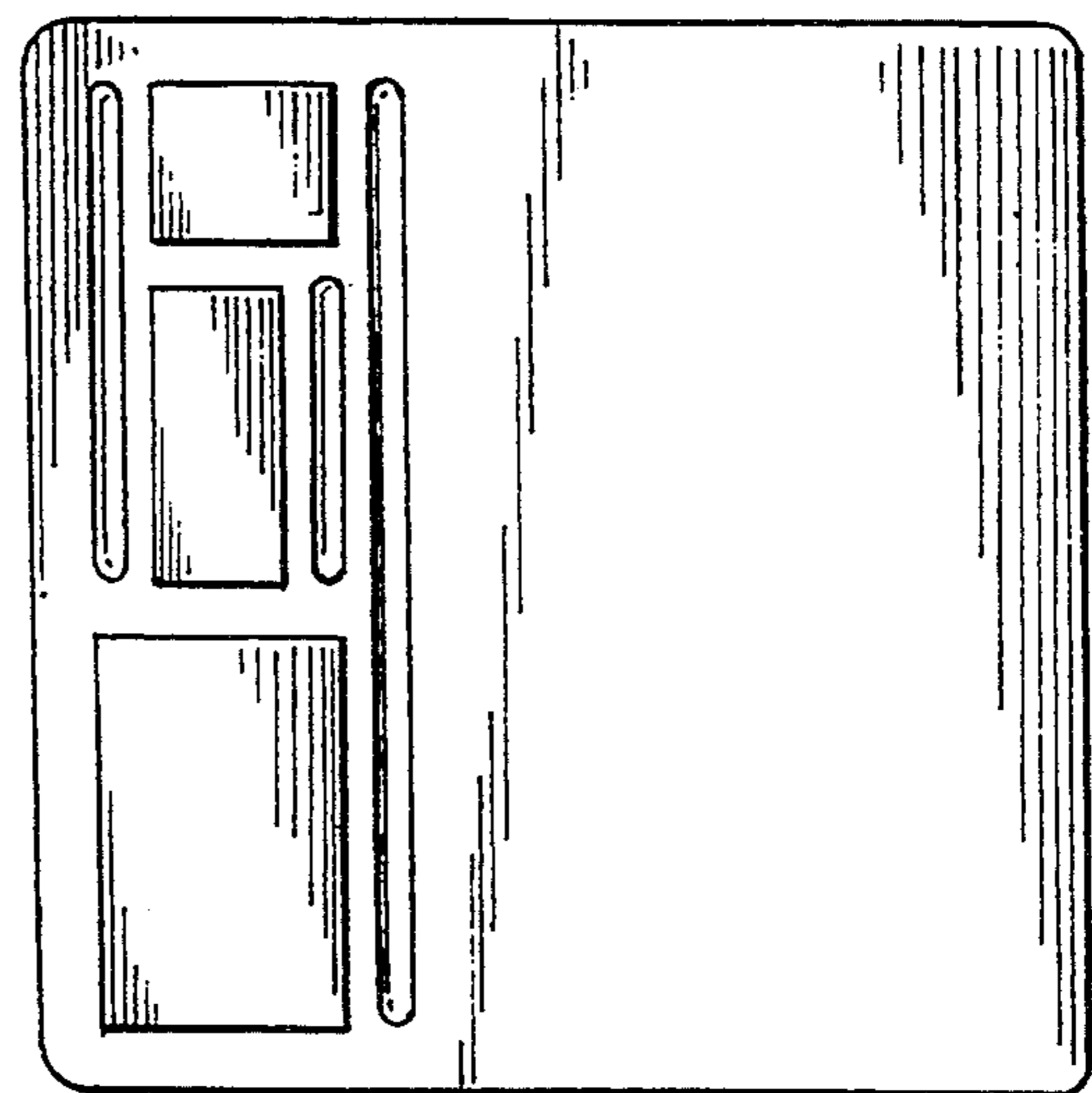


FIG. 8

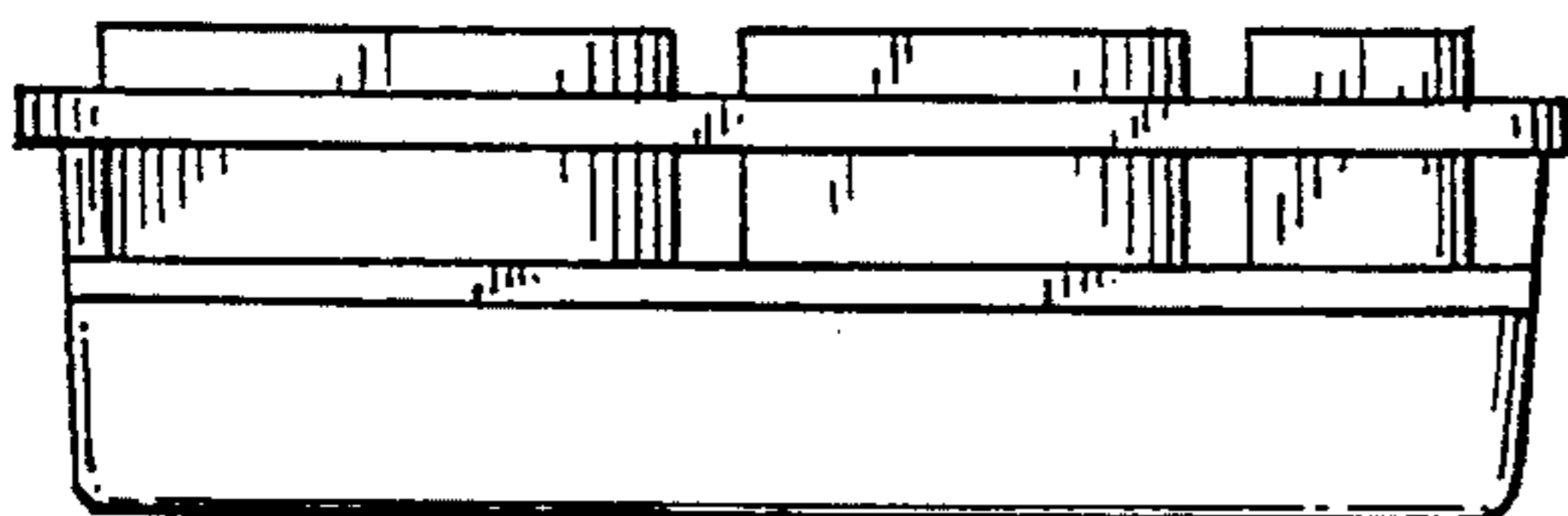


FIG. 9

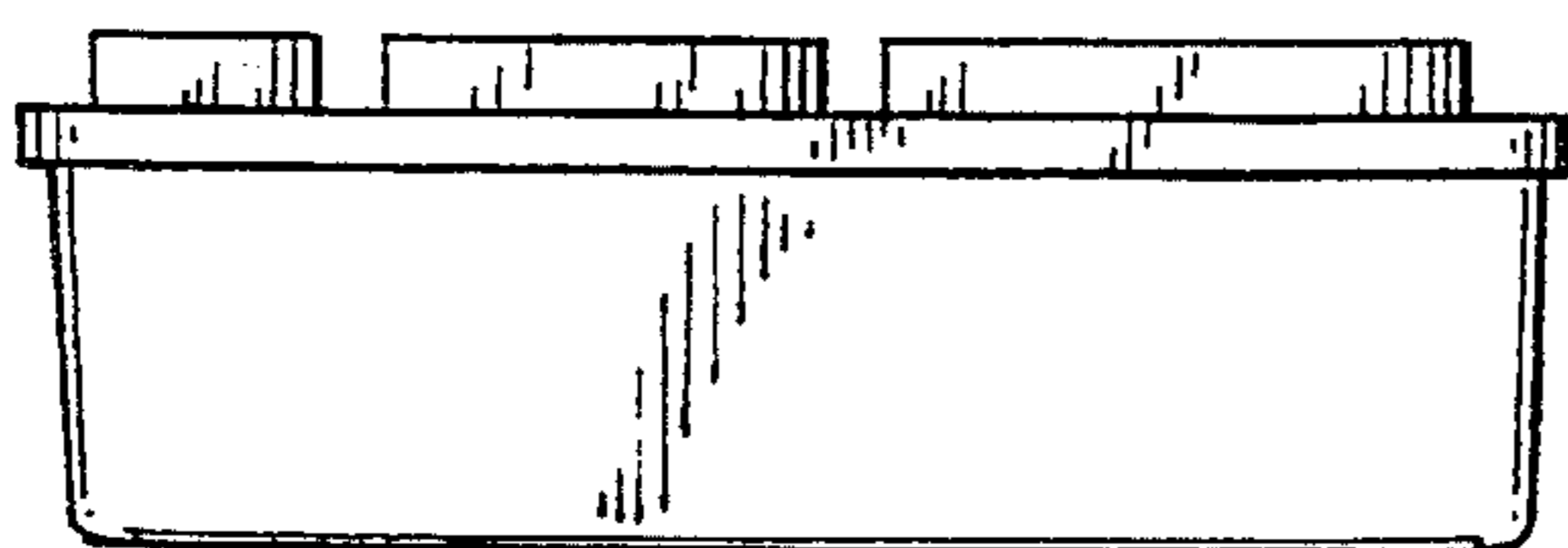


FIG. 10

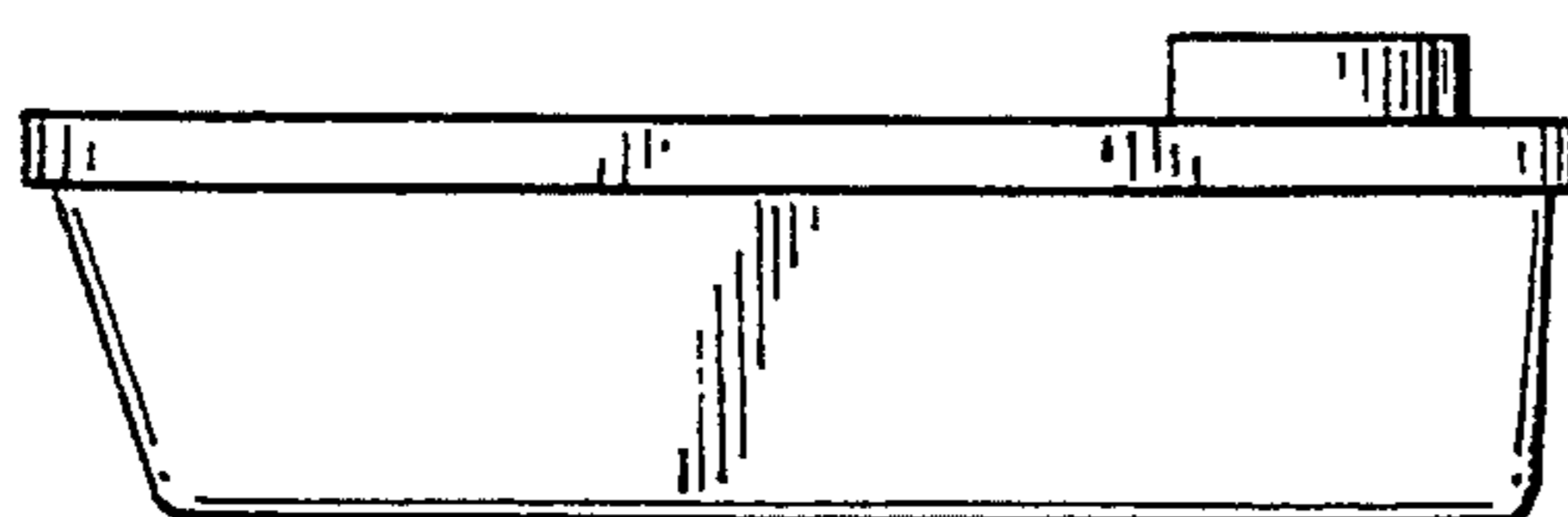


FIG. 13

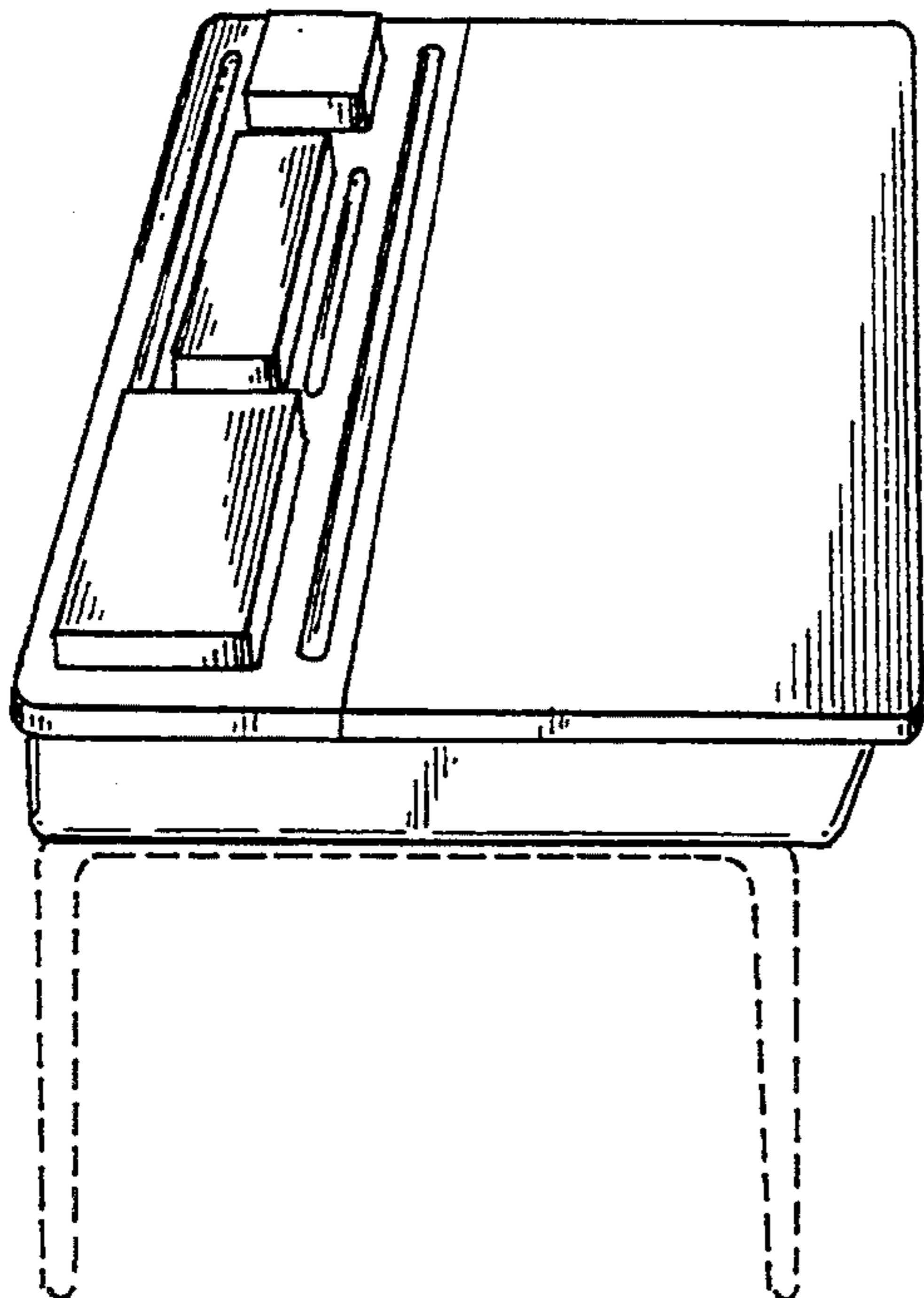


FIG. 17



FIG. 18

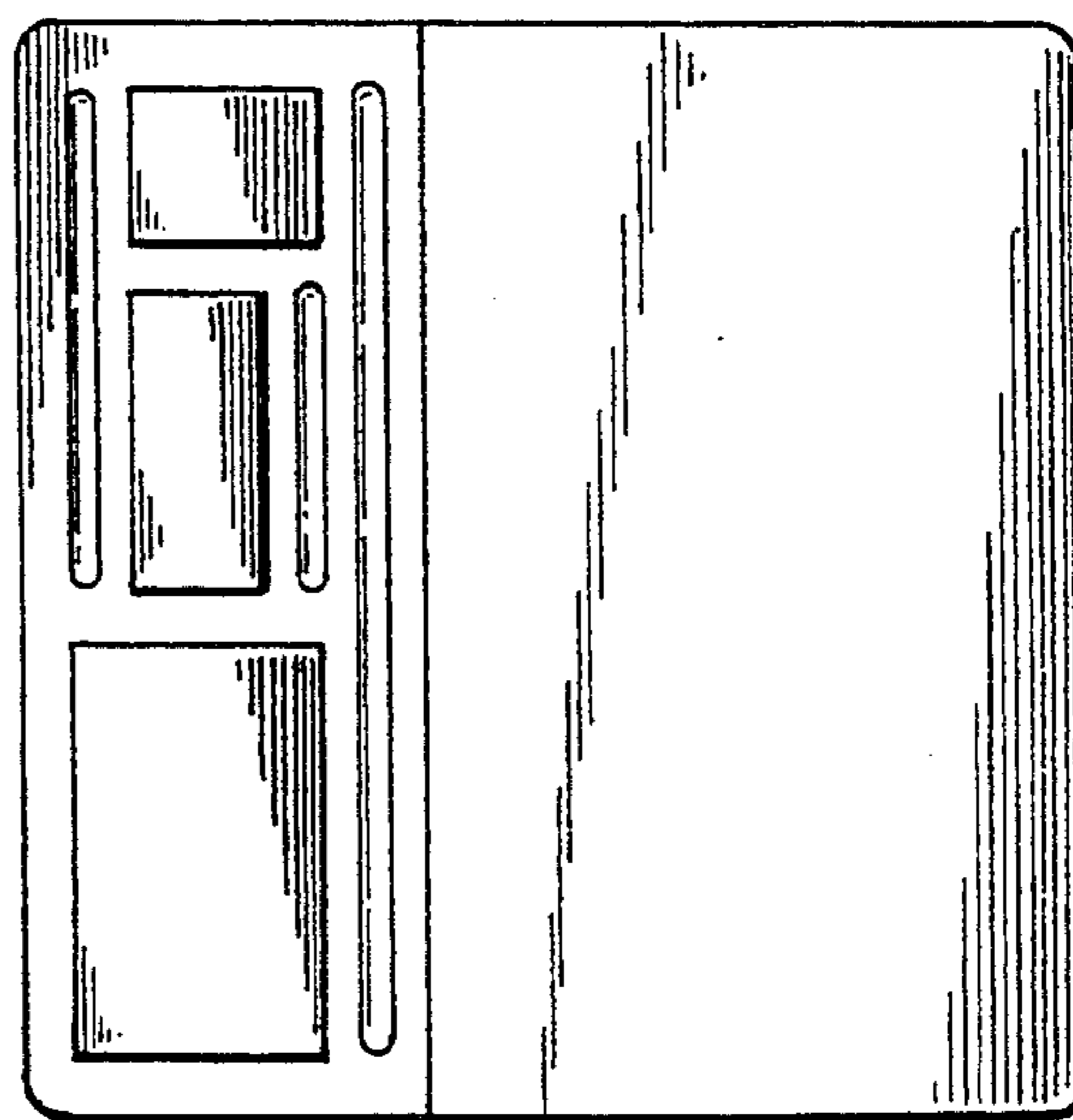


FIG. 14

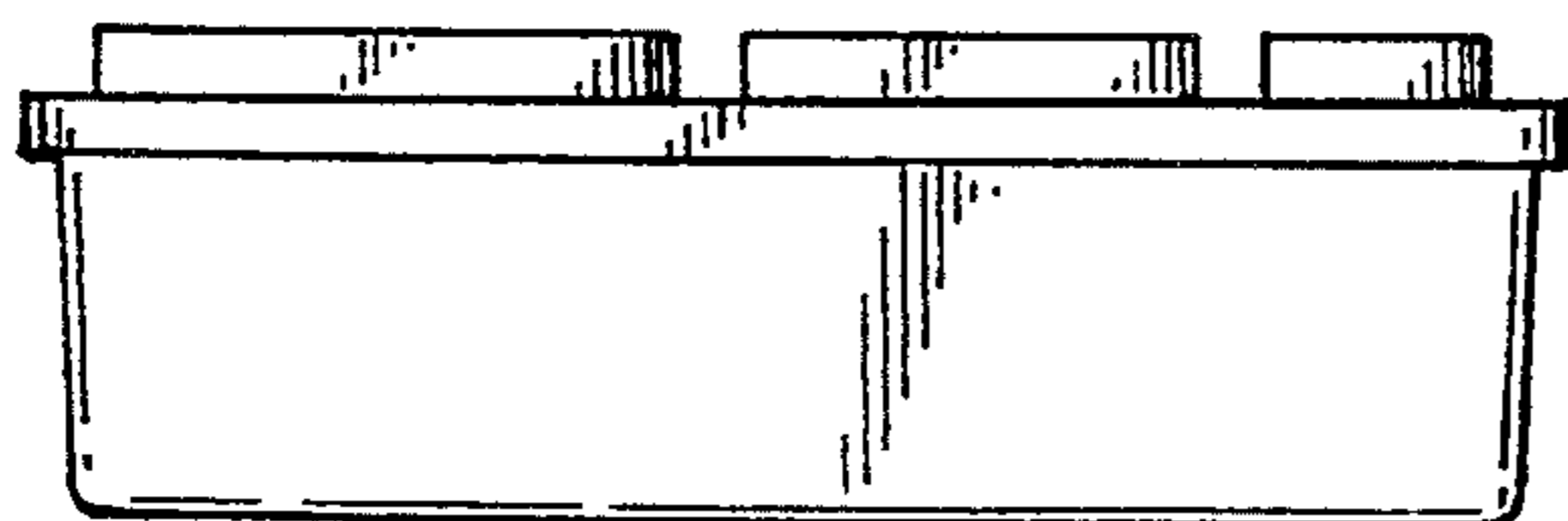


FIG. 15

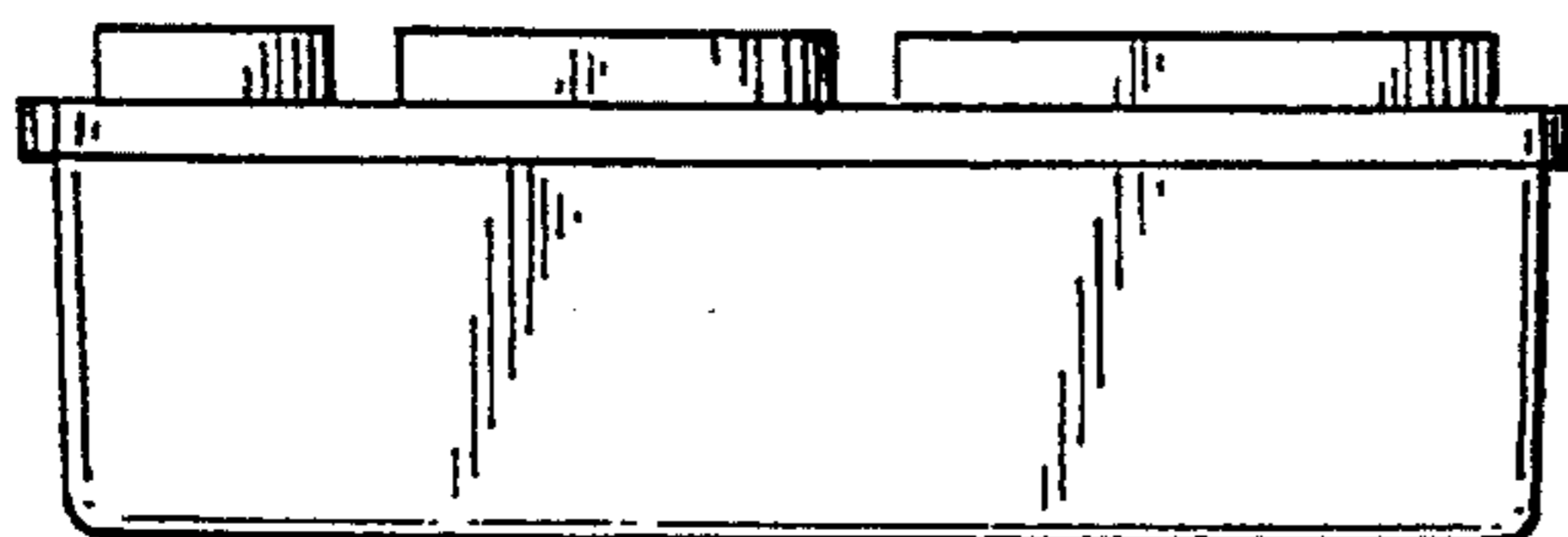


FIG. 19

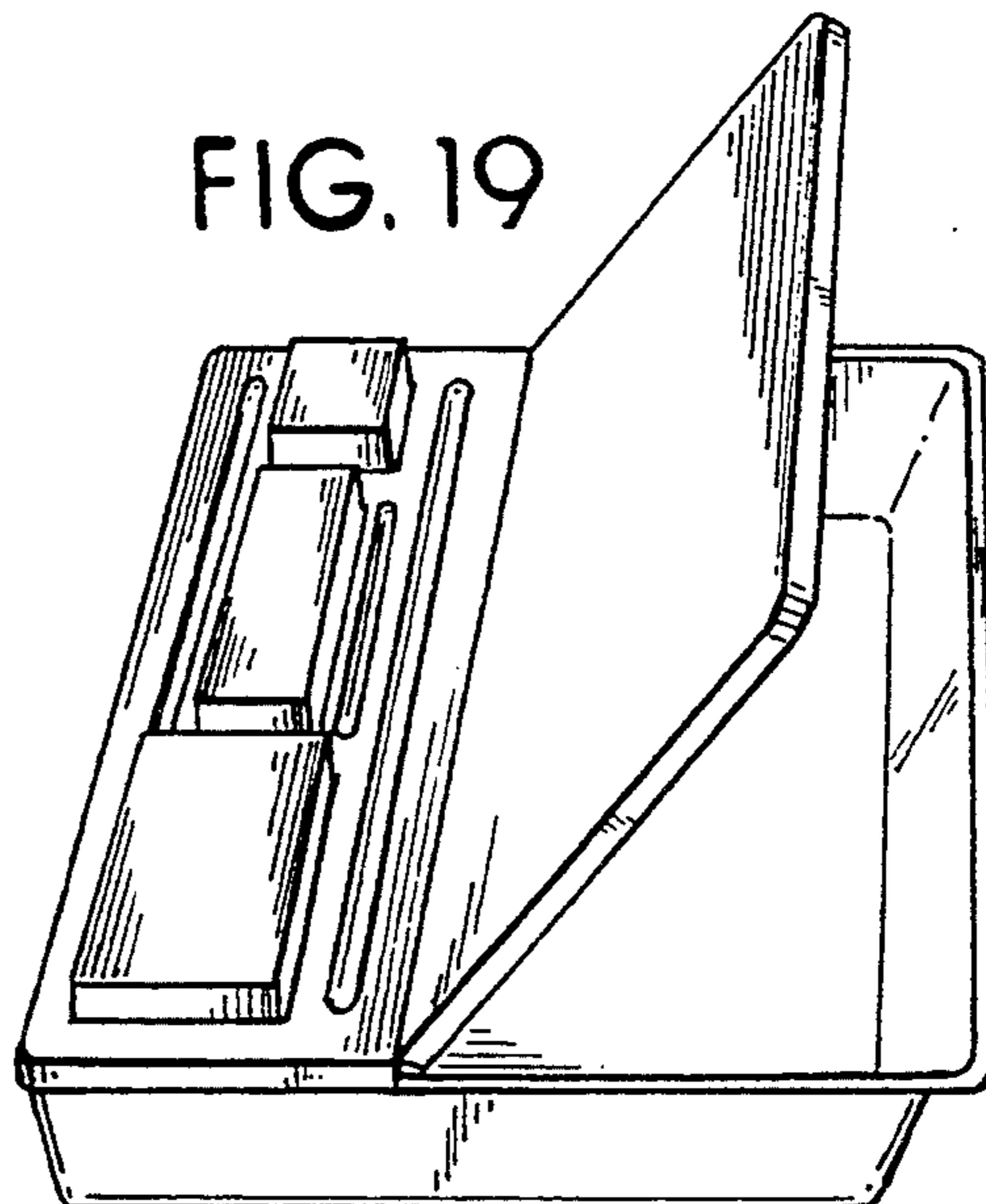


FIG. 16

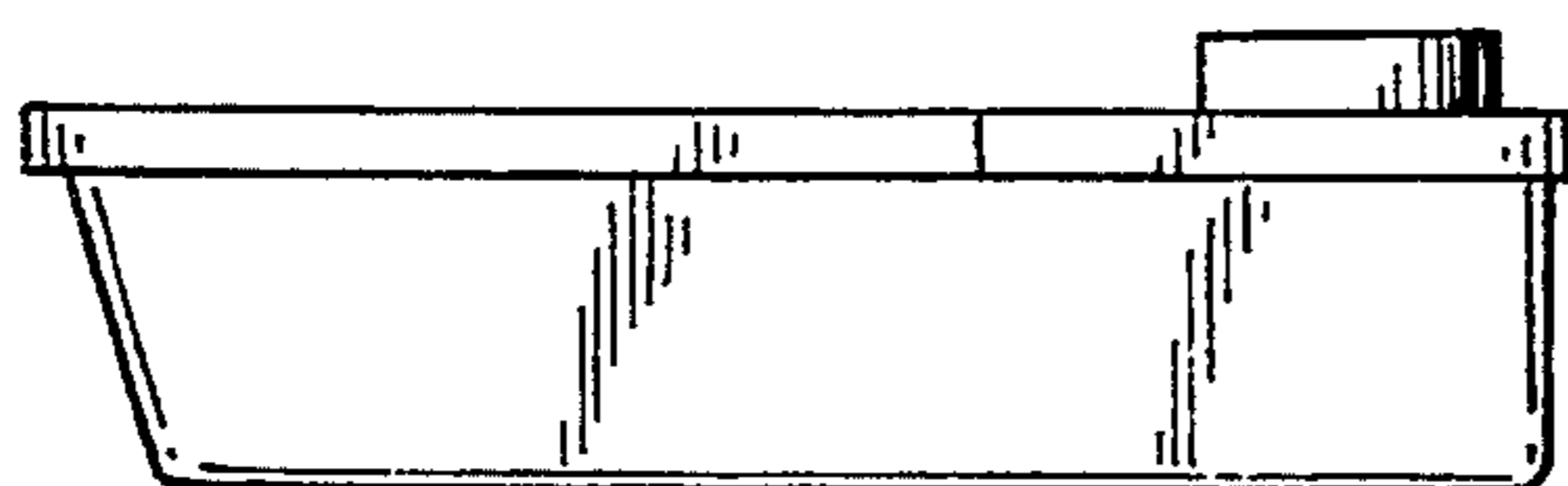


FIG. 20

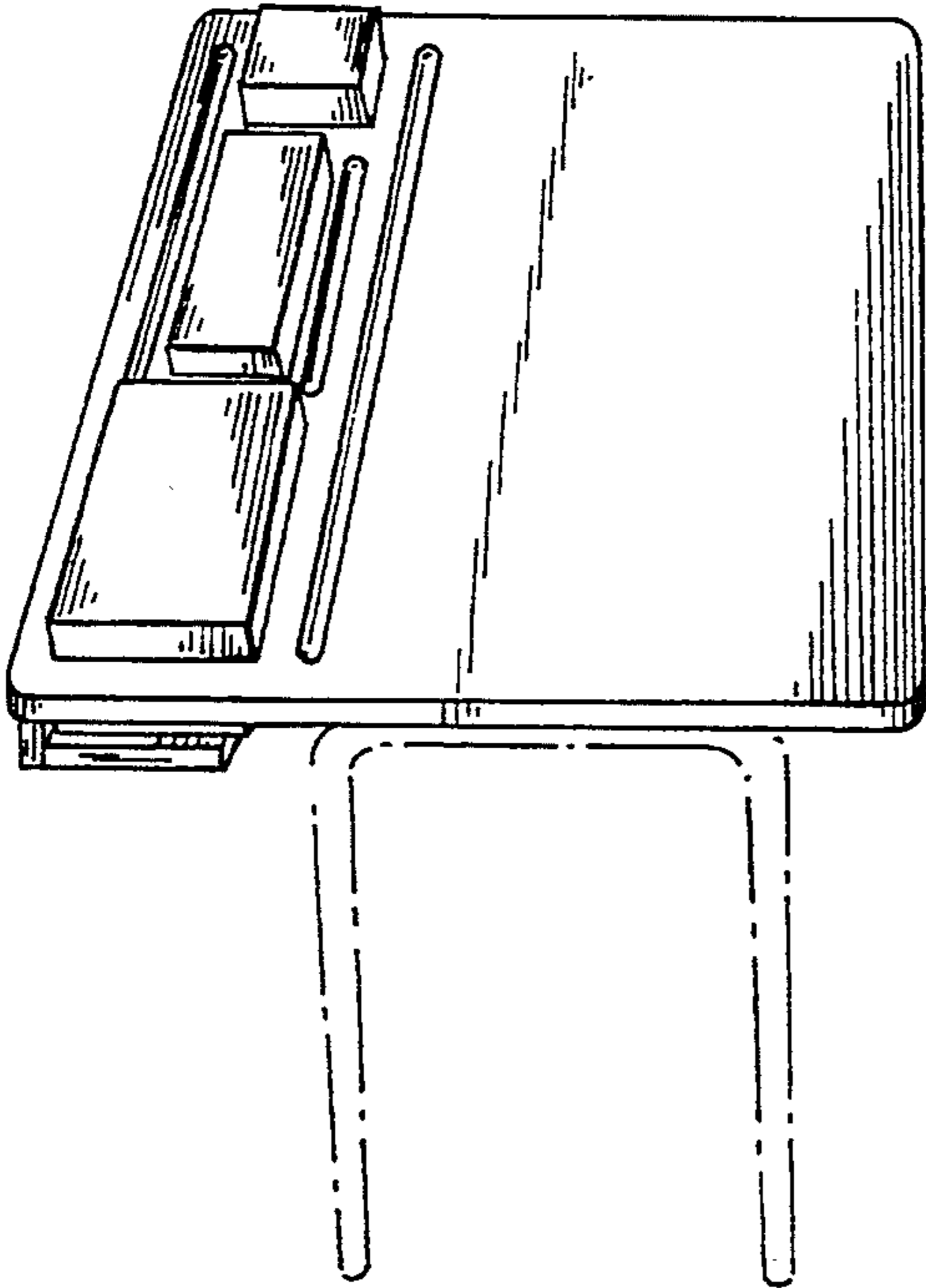


FIG. 21

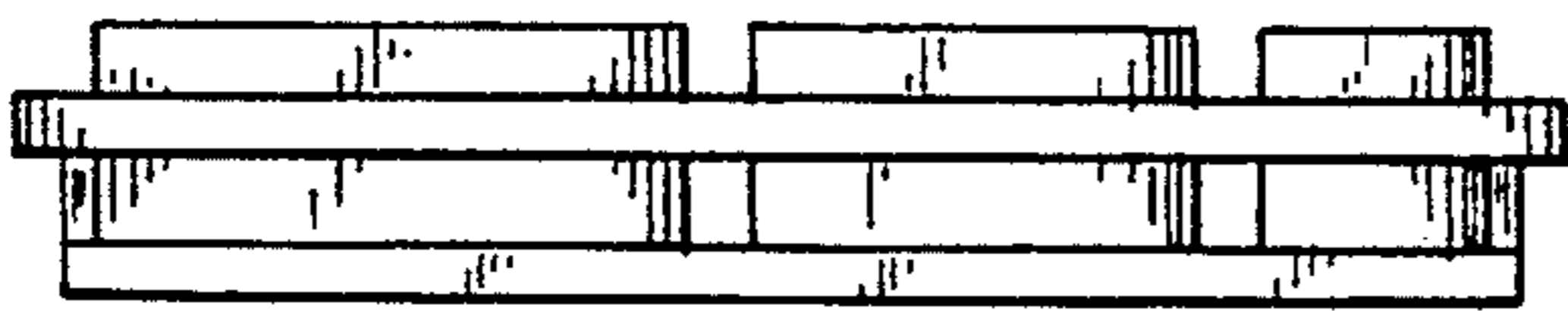


FIG. 22

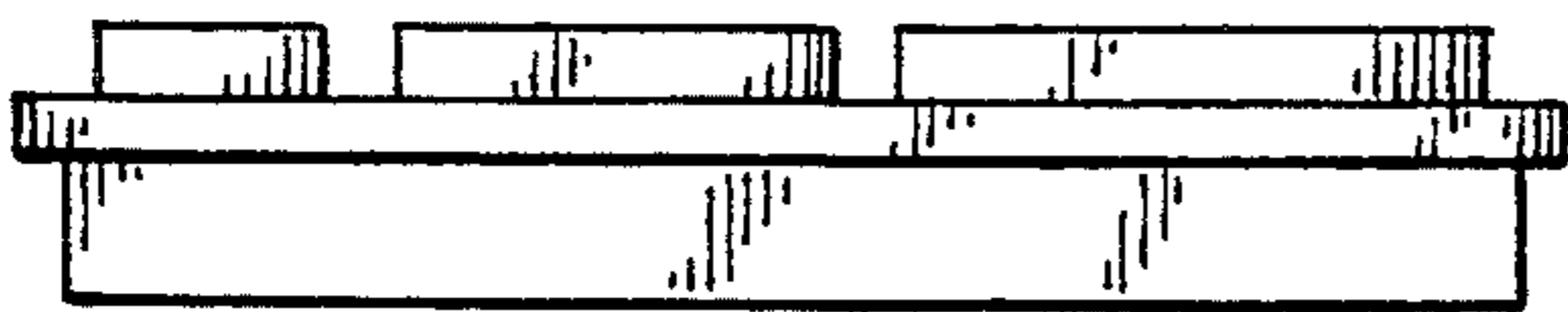


FIG. 23

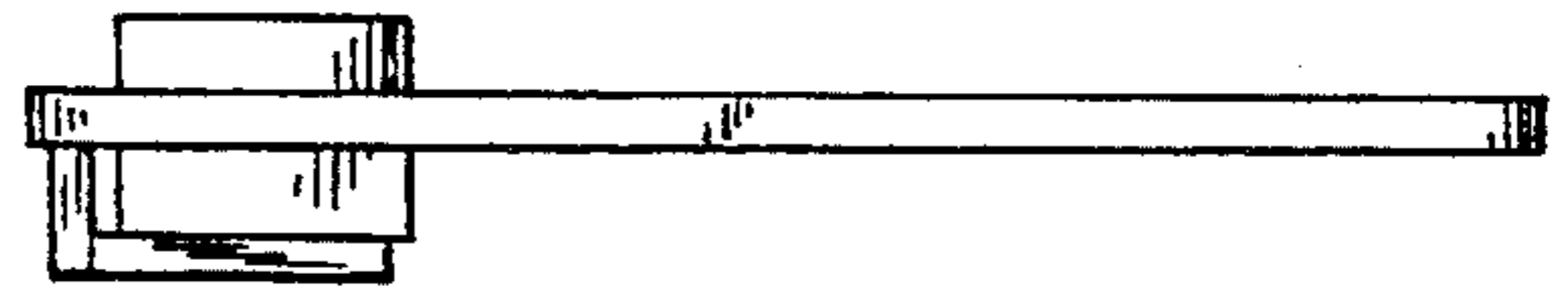


FIG. 24

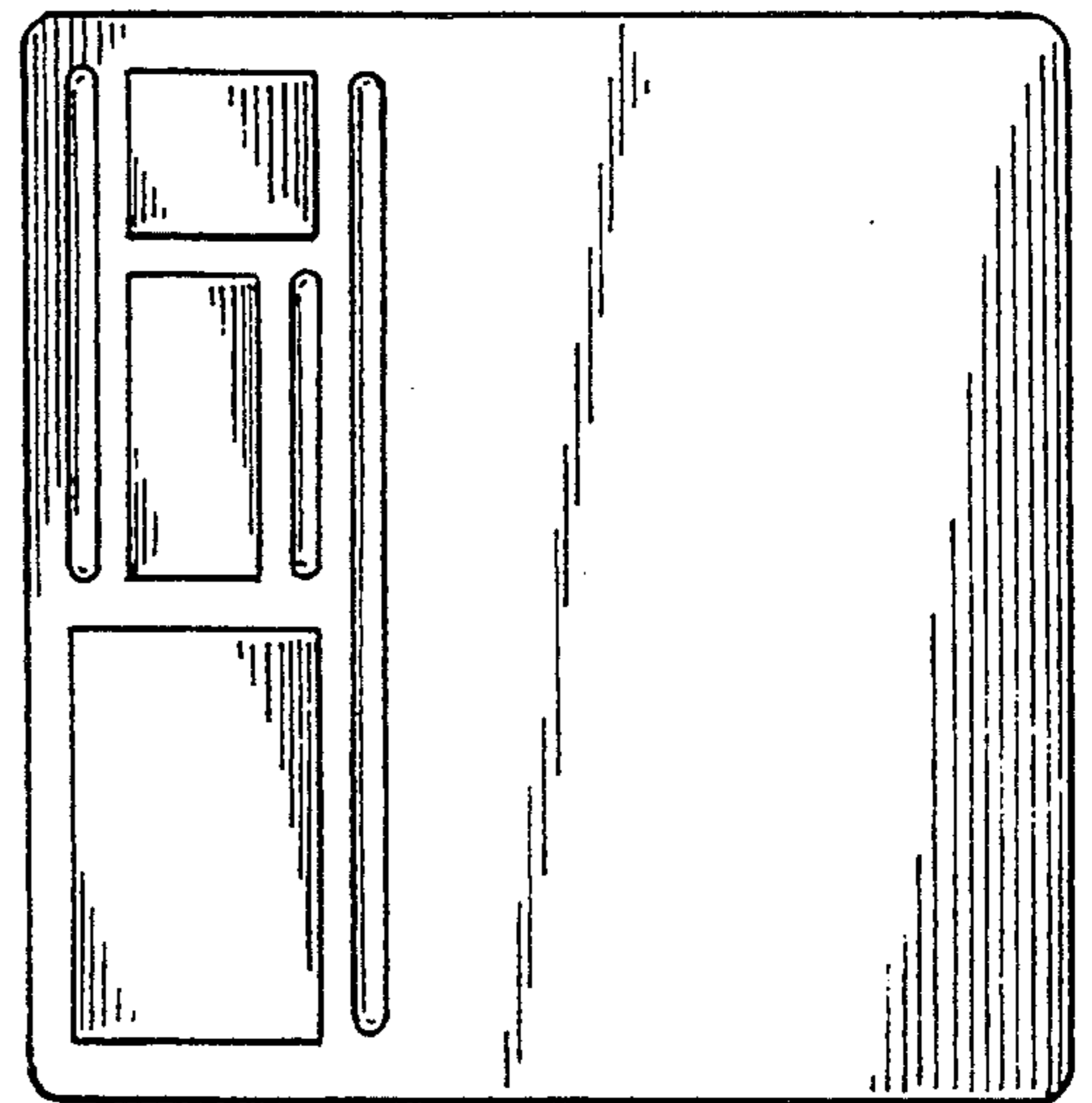


FIG. 25

