



US00D354184S

# United States Patent [19] Markson

[11] Patent Number: **Des. 354,184**  
[45] Date of Patent: **\*\* Jan. 10, 1995**

[54] **ADVERTISING DISPLAY FOR SHELVING**  
[75] Inventor: **Richard Markson, Goshen, N.Y.**  
[73] Assignee: **Markson Rosenthal & Company, Edgewater, N.J.**  
[\*\*] Term: **14 Years**  
[21] Appl. No.: **951,692**  
[22] Filed: **Sep. 24, 1992**  
[52] U.S. Cl. .... **D6/449; D20/43**  
[58] Field of Search ..... **D6/511, 476, 449, 437, D6/450, 451; D19/75, 76; D20/10, 39, 40, 41, 42, 43, 44**

D. 309,158 7/1990 Shattan ..... D19/89  
D. 311,716 10/1990 Widrig ..... D12/191  
D. 319,362 8/1991 Kellems et al. .... D6/511  
D. 327,190 6/1992 Wear et al. .... D6/511  
D. 336,926 6/1993 Brüsing ..... D19/75  
1,813,881 5/1929 Peters ..... D12/191 X  
2,733,763 2/1956 Nygaard ..... D12/191 X  
2,828,562 4/1958 Warren ..... 40/493  
2,828,563 4/1958 Guess ..... D20/21 X  
3,859,744 1/1975 Holmes ..... D19/76 X  
4,129,215 12/1978 Halm ..... D19/76 X  
4,182,059 1/1980 Greene ..... 40/493 X  
4,270,291 6/1981 Babberl ..... 40/530 X

*Primary Examiner*—Alan P. Douglas  
*Assistant Examiner*—S. Snapp  
*Attorney, Agent, or Firm*—Abelman, Frayne & Schwab

[56] **References Cited**

**U.S. PATENT DOCUMENTS**

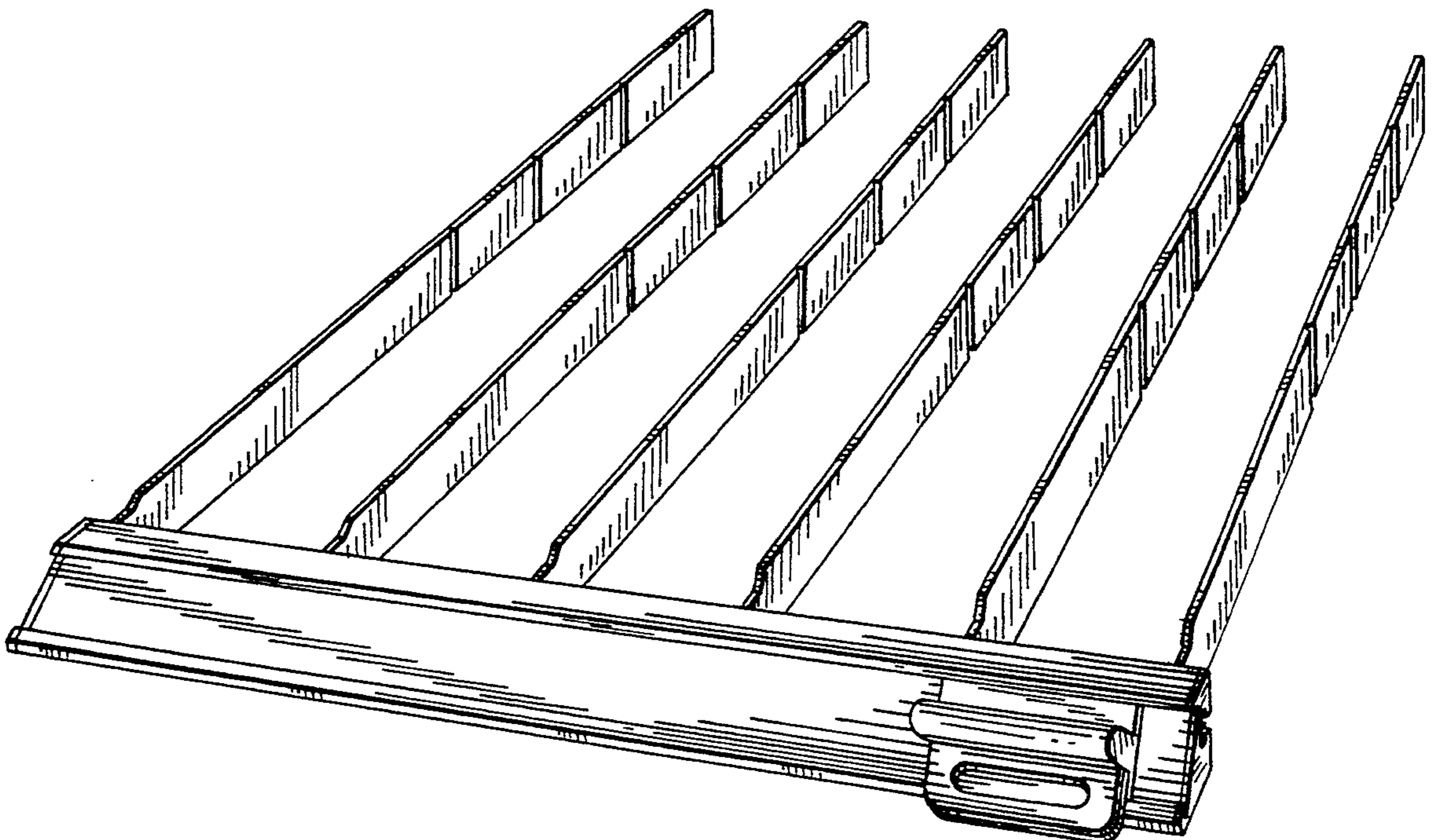
D. 117,447 11/1939 Campbell et al. .... D20/43  
D. 156,538 12/1949 Kingmon ..... D19/89 X  
D. 191,022 8/1961 Mackrell ..... D19/92 X  
D. 197,546 2/1964 Muscatiello ..... D6/476 X  
D. 222,400 10/1971 Barnes ..... D19/75 X  
D. 234,507 3/1975 Mori ..... D19/75  
D. 234,511 3/1975 Mori ..... D19/75 X  
D. 252,465 7/1979 Halm ..... D19/76  
D. 260,535 9/1981 Bovet ..... D19/76  
D. 277,394 1/1985 Assels ..... D19/76  
D. 277,395 1/1985 Ippen ..... D19/76  
D. 297,649 9/1988 Shiffner ..... D19/36  
D. 308,777 6/1990 Gambello ..... D6/449 X

[57] **CLAIM**

The ornamental design for an advertising display panel for shelving, as shown and described.

**DESCRIPTION**

FIG. 1 is a perspective view looking down from the top, showing my new design;  
FIG. 2 is a top view thereof;  
FIG. 3 is a front side view thereof;  
FIG. 4 is a left side view thereof;  
FIG. 5 is a right side view thereof;  
FIG. 6 is a rear view thereof; and,  
FIG. 7 is a bottom view thereof.



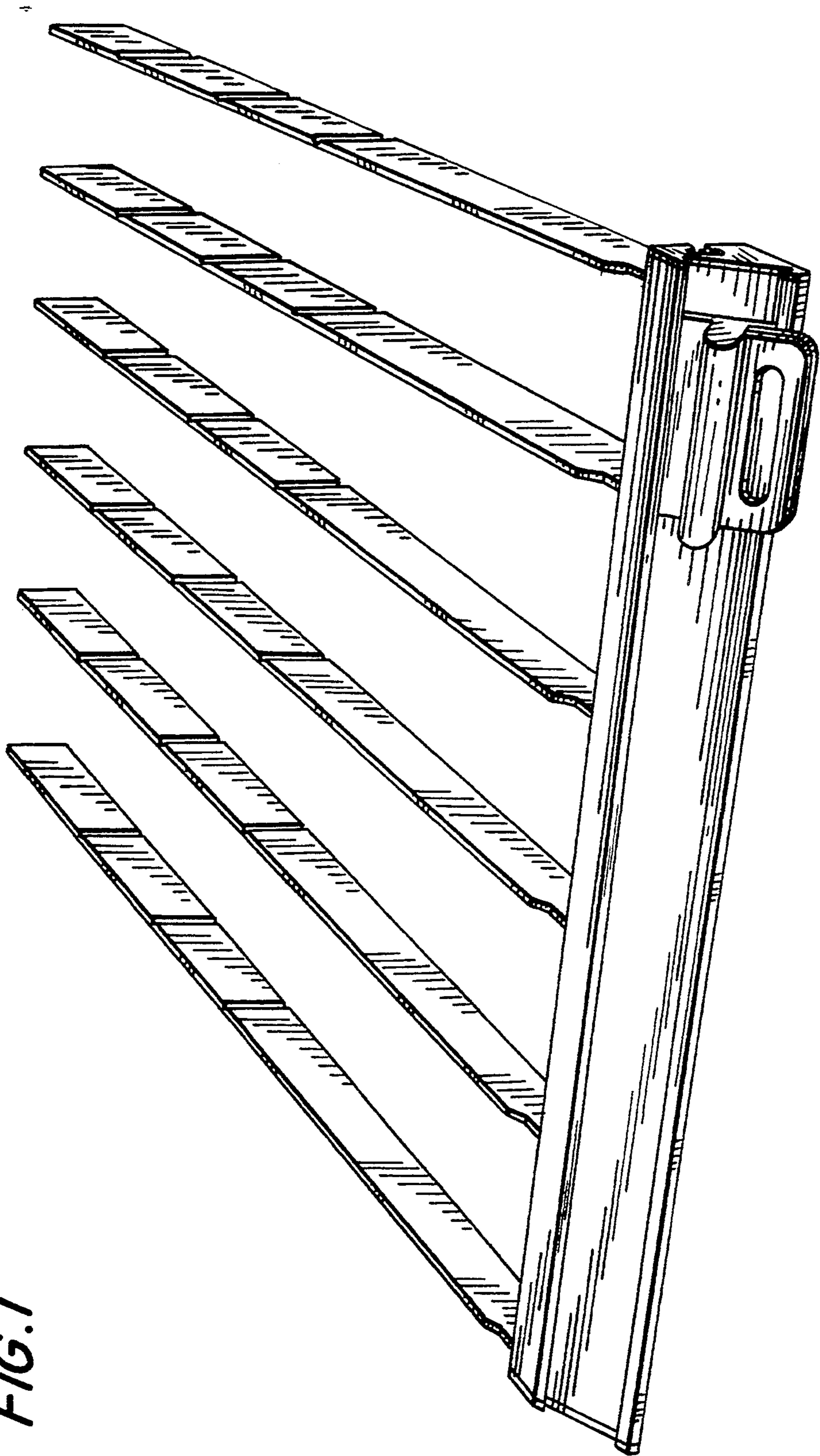
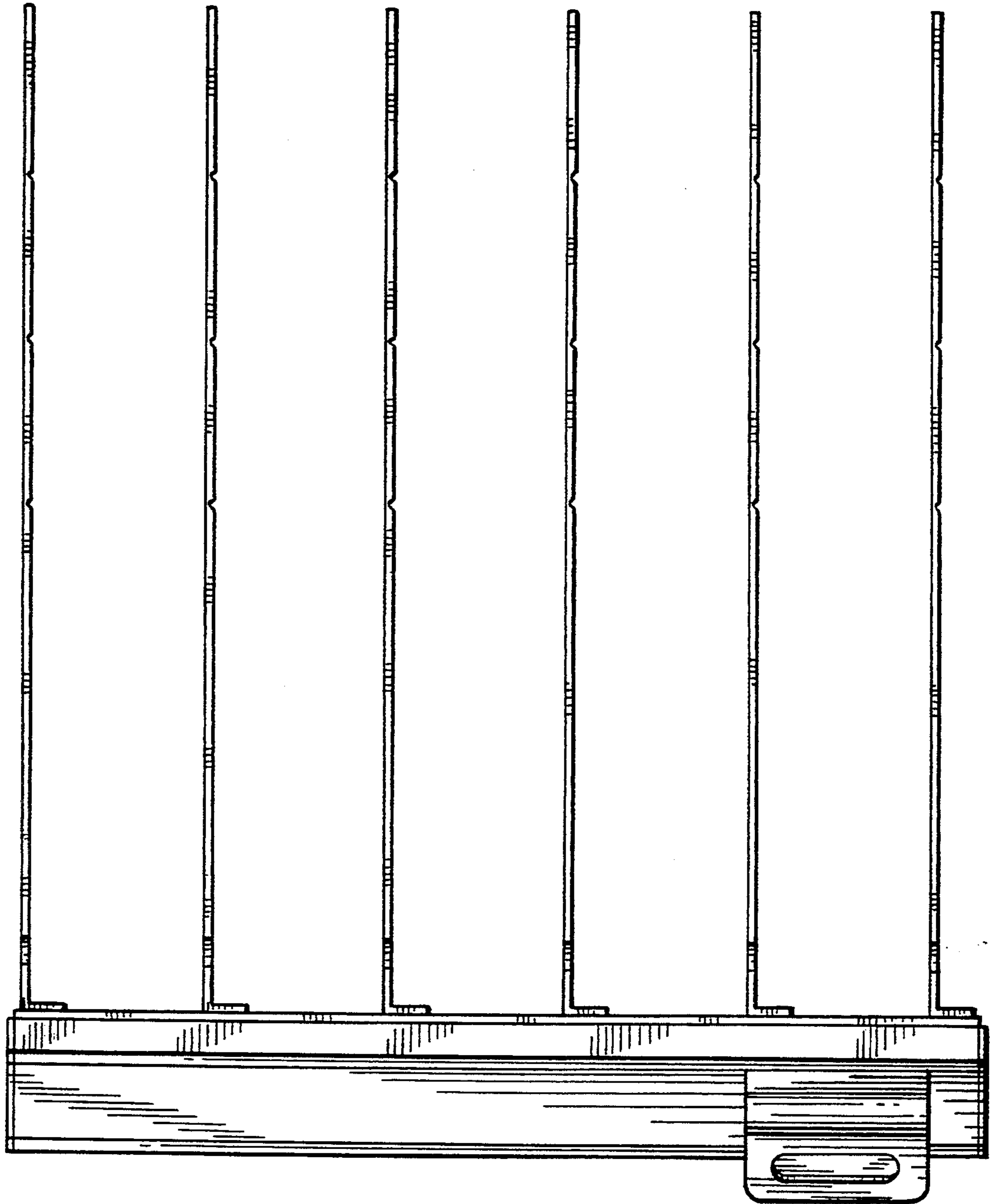
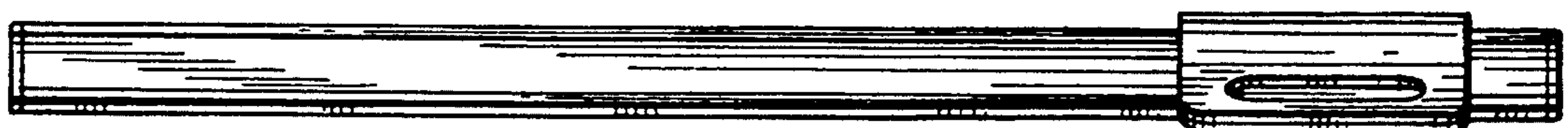


FIG. 1

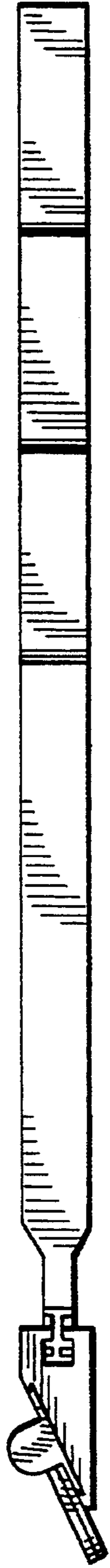
*FIG. 2*



*FIG. 3*



*FIG. 4*



*FIG. 5*

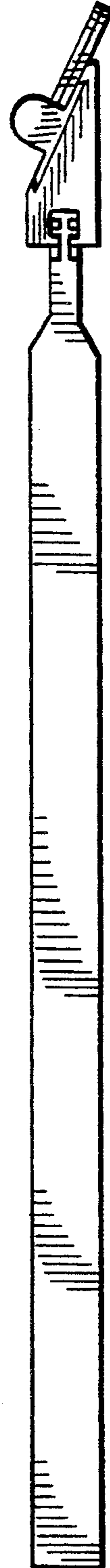


FIG. 6

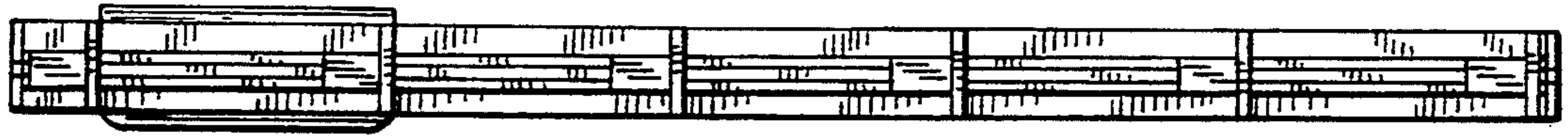


FIG. 7

