



US00D354181S

# United States Patent [19]

[11] Patent Number: **Des. 354,181**

Smith et al.

[45] Date of Patent: **\*\* Jan. 10, 1995**

[54] **GRAVITY FEED RACK FOR BEVERAGE CANS**

[75] Inventors: **Douglas W. Smith; Robert E. Dawson,**  
both of Ridgefield, Conn.

[73] Assignee: **Cadbury Beverages, Inc., Stamford,**  
Conn.

[\*\*] Term: **14 Years**

[21] Appl. No.: **19,861**

[22] Filed: **Jan. 25, 1994**

[52] U.S. Cl. .... **D6/408; D6/463;**  
**D6/515**

[58] Field of Search ..... **D6/407, 408, 462-465,**  
**D6/515, 512, 552; D3/305, 306; 206/505, 513,**  
**486; 211/59.2, 74, 181, 182, 189; 221/241, 281,**  
**242, 92; 222/478**

[56] **References Cited**

**U.S. PATENT DOCUMENTS**

- D. 185,660 7/1959 Crookes ..... D6/408
- D. 211,918 8/1968 Wilder et al. .... D6/408
- D. 290,790 7/1987 Nathan et al. .... D6/515 X
- D. 321,609 11/1991 Dardashti ..... D6/408

- D. 347,922 6/1994 Trevaskis ..... D6/515
- 2,408,380 10/1946 Dennis .
- 2,442,025 5/1948 Smith .
- 2,562,015 7/1951 Cattanch .
- 3,203,553 8/1965 Pendergrast, Jr. et al. .... 211/181 X
- 3,606,022 9/1971 Beesley, Jr. .... 211/181 X
- 3,938,700 2/1976 Camp et al. .
- 4,776,470 10/1988 Chap ..... 211/74 X
- 4,911,309 3/1990 Stefan ..... 211/189

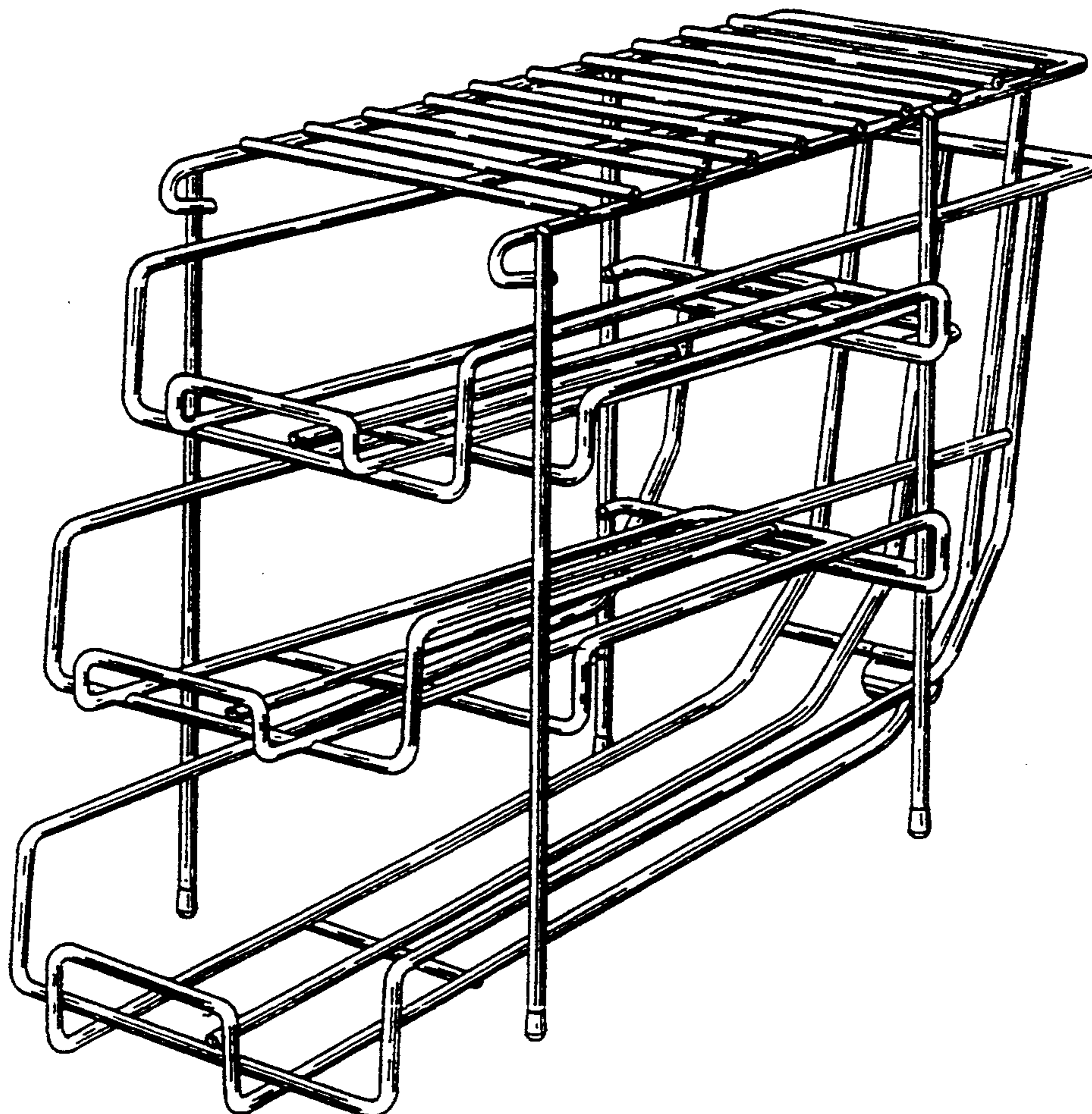
*Primary Examiner*—Alan P. Douglas  
*Assistant Examiner*—Jeffrey Asch  
*Attorney, Agent, or Firm*—Kenyon & Kenyon

[57] **CLAIM**

The ornamental design for a gravity feed rack for beverage cans, as shown and described.

**DESCRIPTION**

FIG. 1 is a perspective view of a gravity feed rack for beverage cans showing our new design;  
FIG. 2 is a side view thereof;  
FIG. 3 is an opposite side view thereof;  
FIG. 4 is a front view thereof;  
FIG. 5 is a rear view thereof;  
FIG. 6 is a top view thereof; and,  
FIG. 7 is a bottom view thereof.



*FIG. 1*

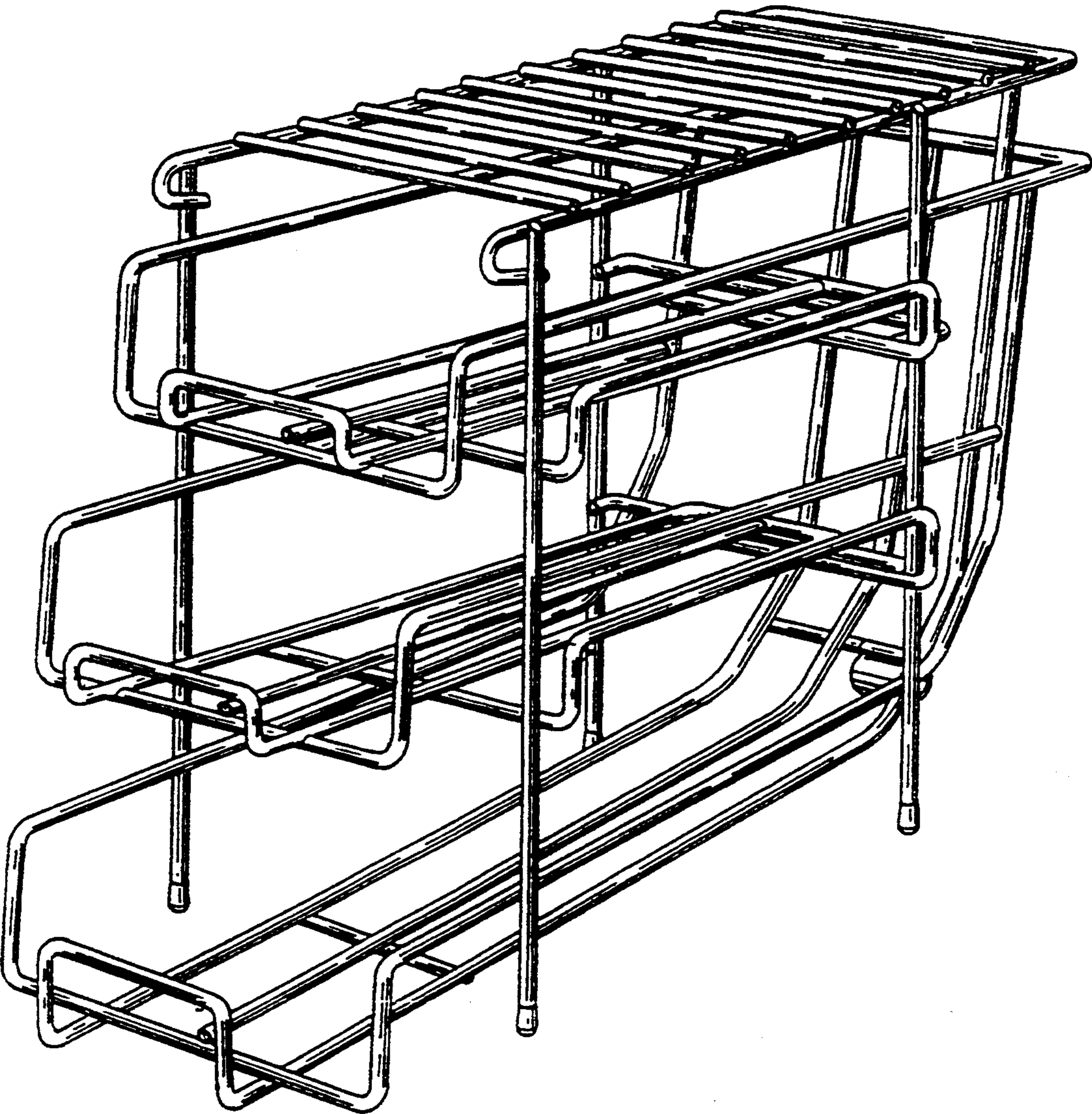




FIG. 2

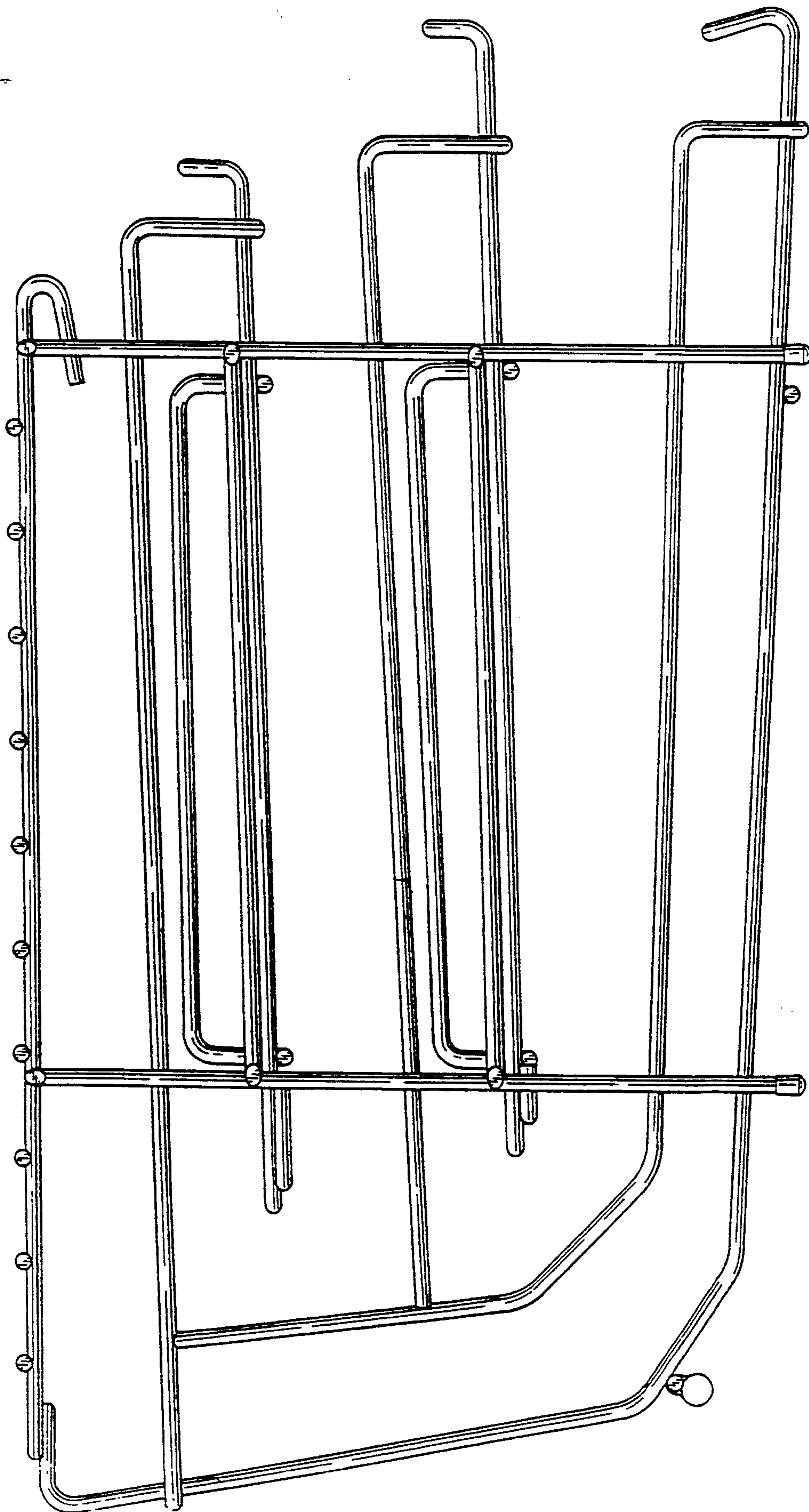
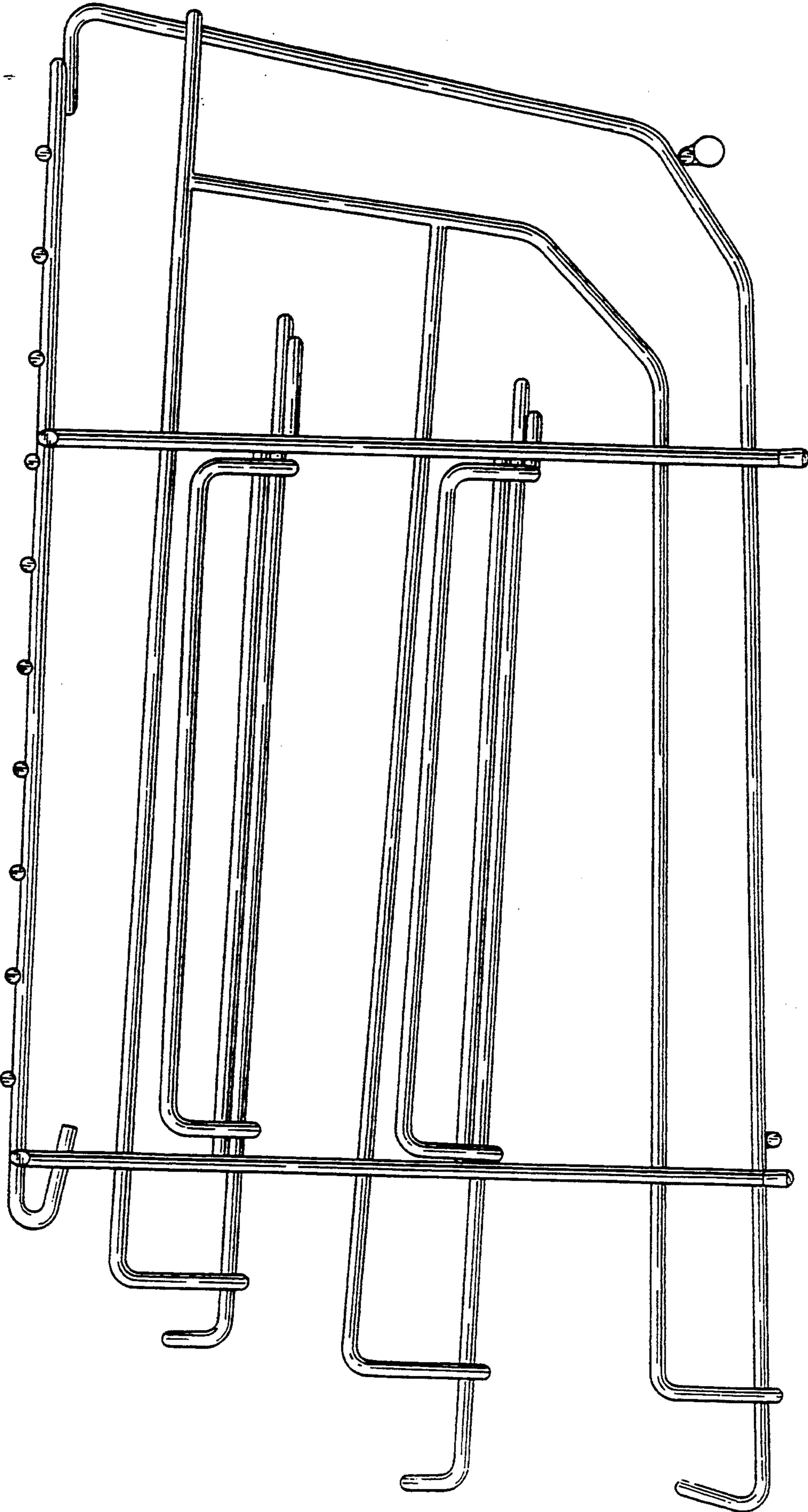
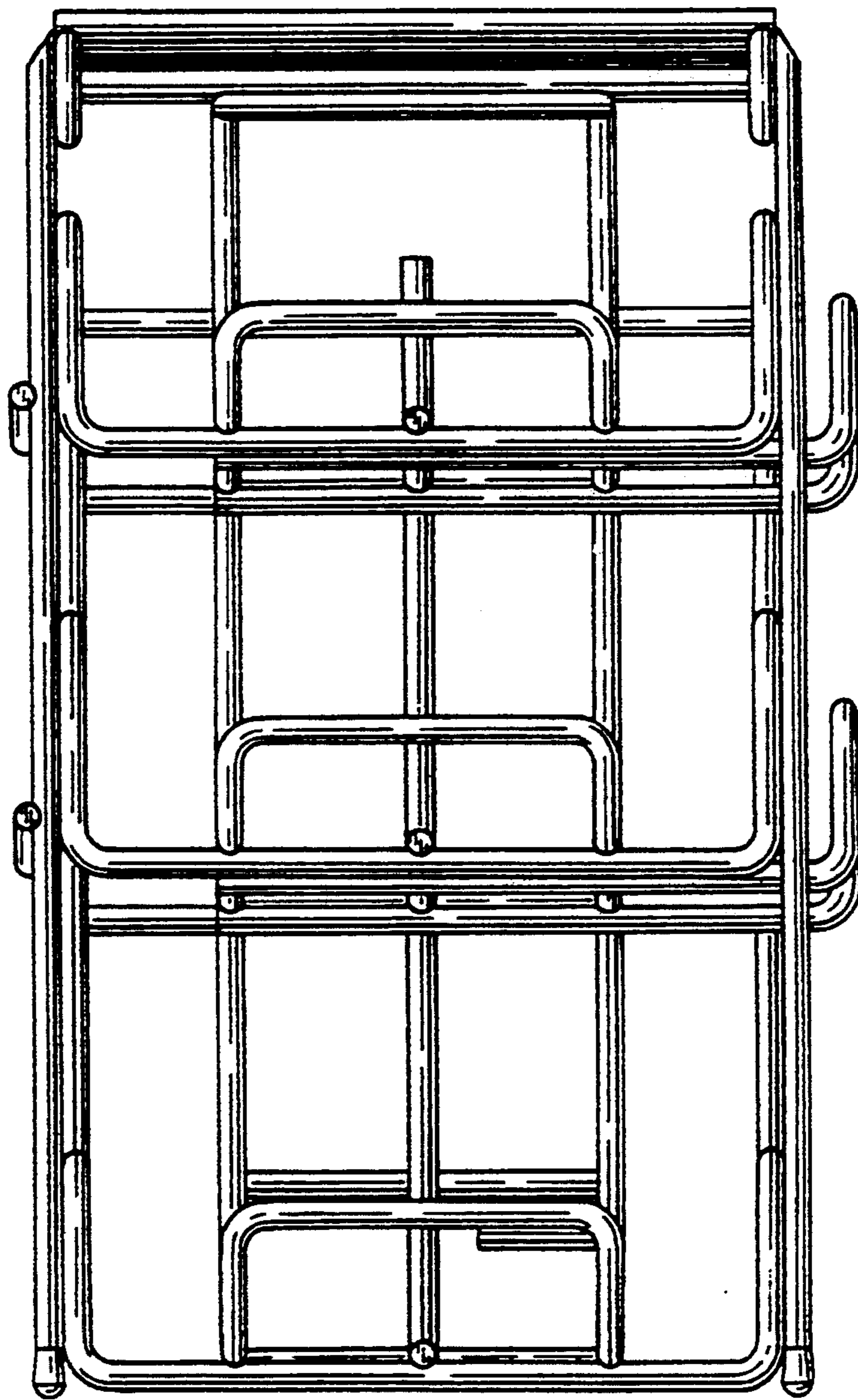


FIG. 3



*FIG. 4*



*FIG. 5*

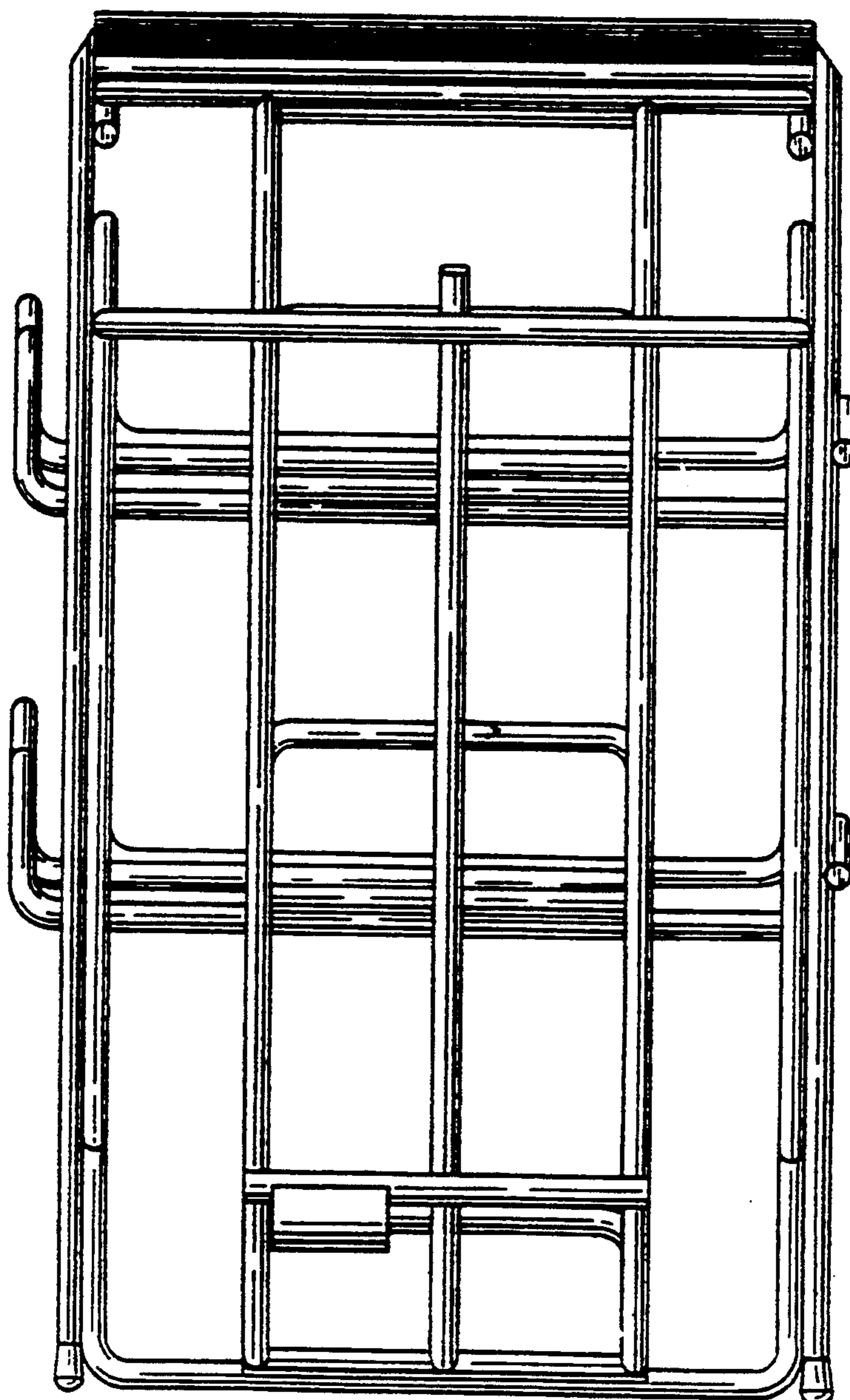




FIG. 6

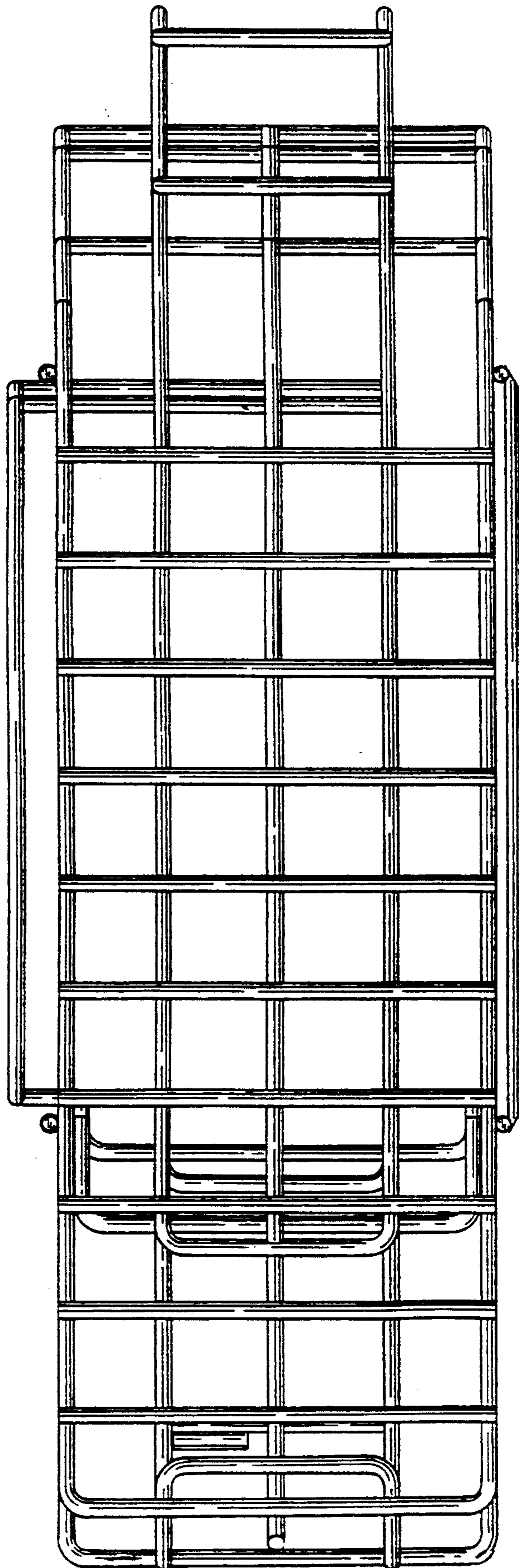


FIG. 7

