



US00D354179S

# United States Patent [19] Greene

[11] Patent Number: **Des. 354,179**

[45] Date of Patent: **\*\* Jan. 10, 1995**

[54] CHAIR

[75] Inventor: **Michael W. Greene**, Incline Village, Nev.

[73] Assignee: **Resinform**, Incline Village, Nev.

[\*\*] Term: **14 Years**

[21] Appl. No.: **1,026**

[22] Filed: **Nov. 2, 1992**

[52] U.S. Cl. .... **D6/379; D6/369; D6/370**

[58] Field of Search ..... **D6/334, 369, 370, 374, D6/375, 379, 500, 501, 502; 297/411.42, DIG. 2**

[56] **References Cited**

**U.S. PATENT DOCUMENTS**

D. 10,597	3/1878	Penchard	.....	D6/369
D. 183,768	10/1958	Robinson	.....	D6/379
D. 325,304	4/1992	Grosfillex	.....	D6/370
D. 335,585	5/1993	Grosfillex	.....	D6/370 X
D. 338,115	8/1993	Grosfillex	.....	D6/370
D. 341,953	12/1993	Bemis et al.	.....	D6/370

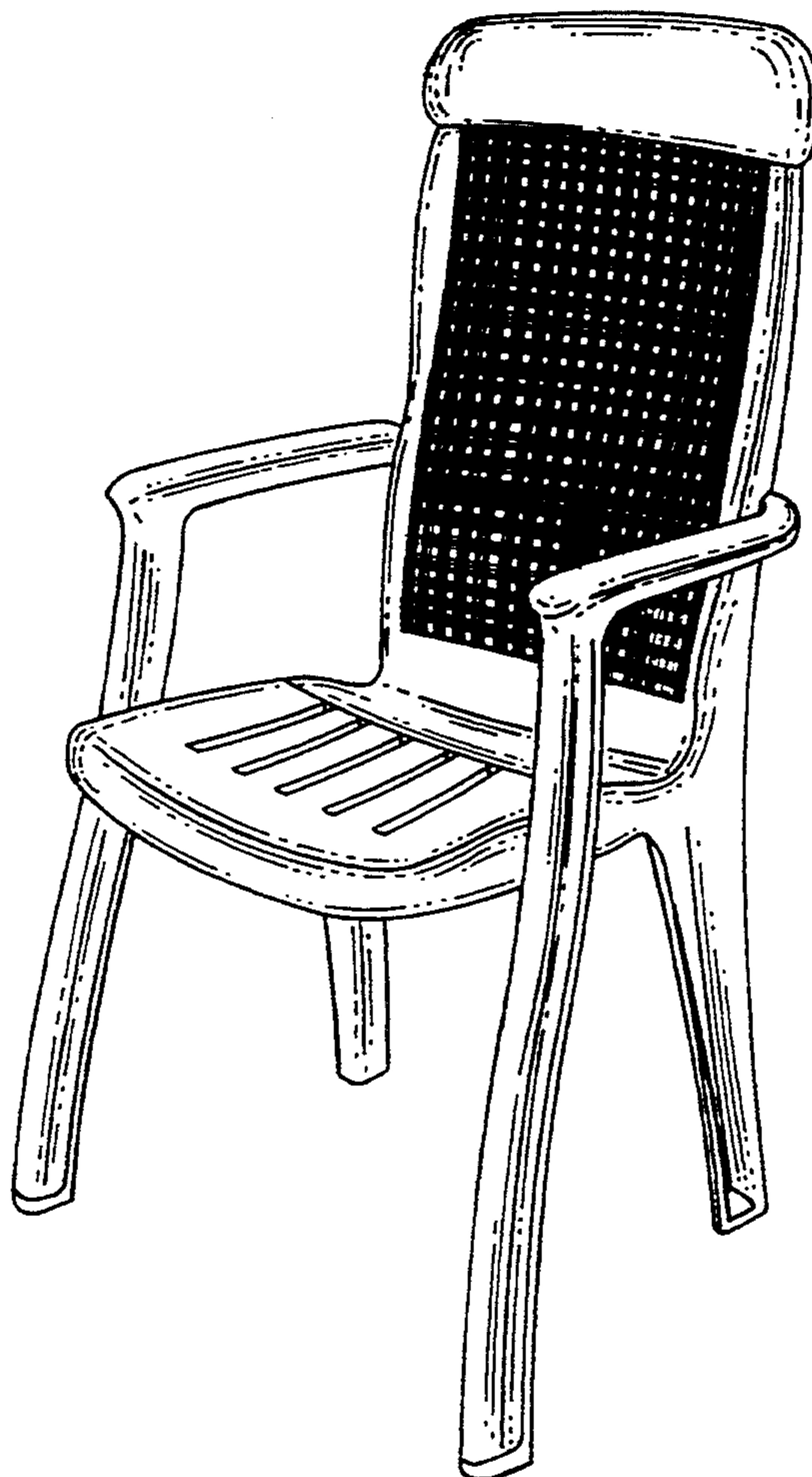
*Primary Examiner*—Alan P. Douglas  
*Assistant Examiner*—Gary D. Watson  
*Attorney, Agent, or Firm*—Hovey, Williams, Timmons & Collins

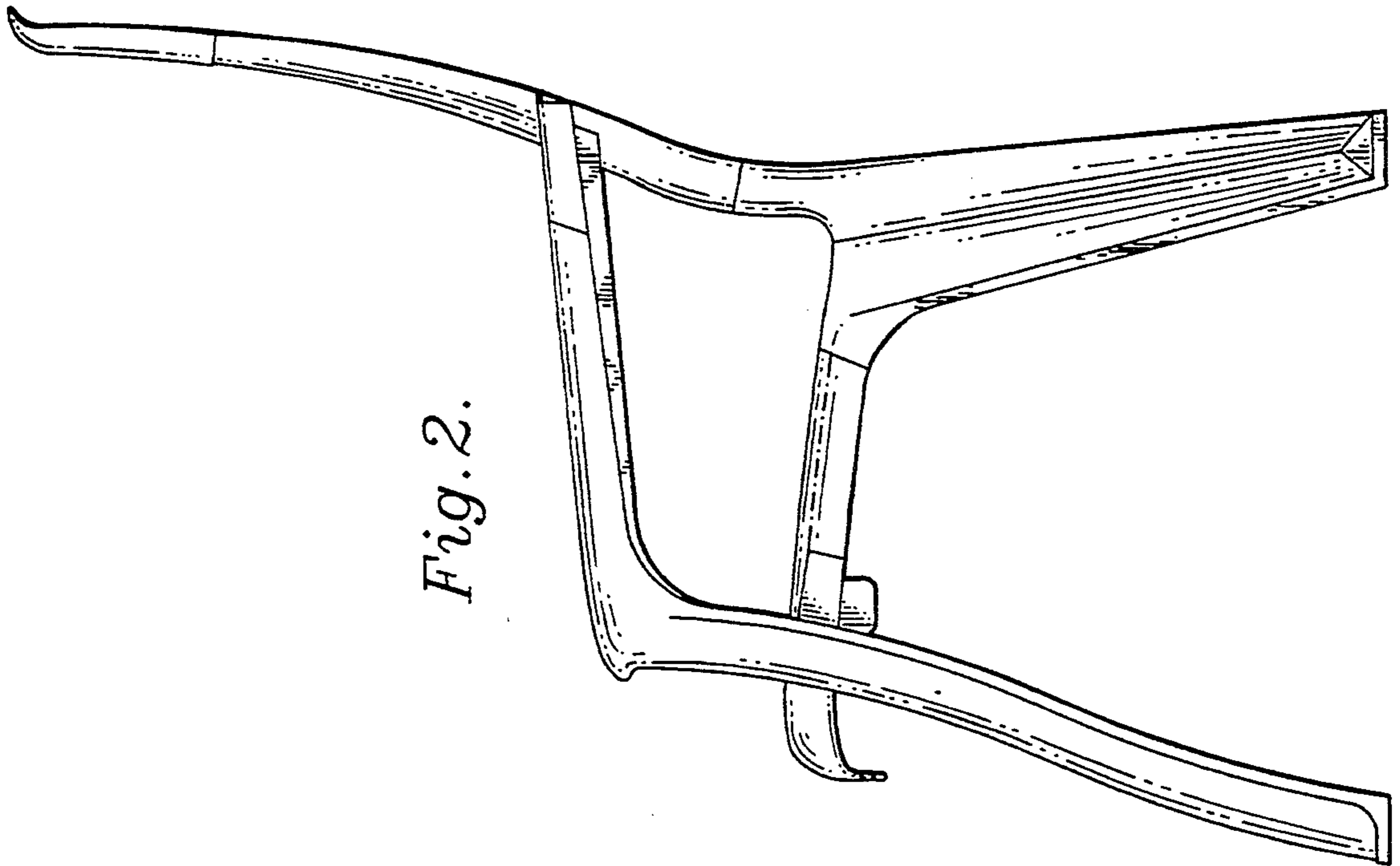
[57] **CLAIM**

The ornamental design for a chair, as shown and described.

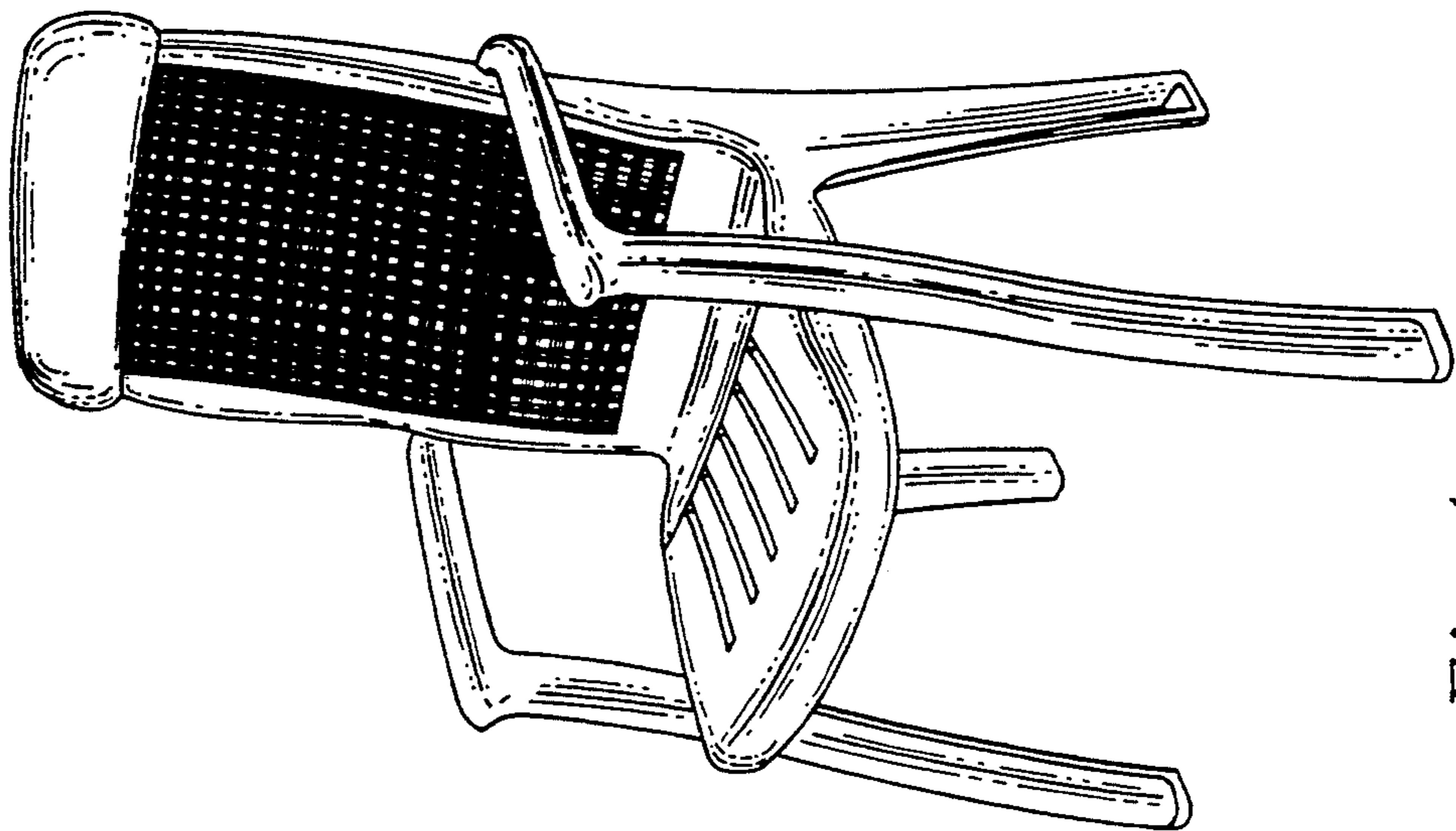
**DESCRIPTION**

FIG. 1 is a front perspective view of the chair;  
FIG. 2 is a side elevational view thereof;  
FIG. 3 is a top plan view thereof;  
FIG. 4 is a bottom plan view thereof;  
FIG. 5 is a front elevational view thereof;  
FIG. 6 is a rear elevational view thereof;  
FIG. 7 is a front perspective view similar to FIG. 1 but showing the chair with a cushion in the seat in a further embodiment of the invention;  
FIG. 8 is a side elevational view of the embodiment of FIG. 7;  
FIG. 9 is a top plan view thereof;  
FIG. 10 is a bottom plan view thereof;  
FIG. 11 is a front elevational view thereof; and,  
FIG. 12 is a rear elevational view thereof.

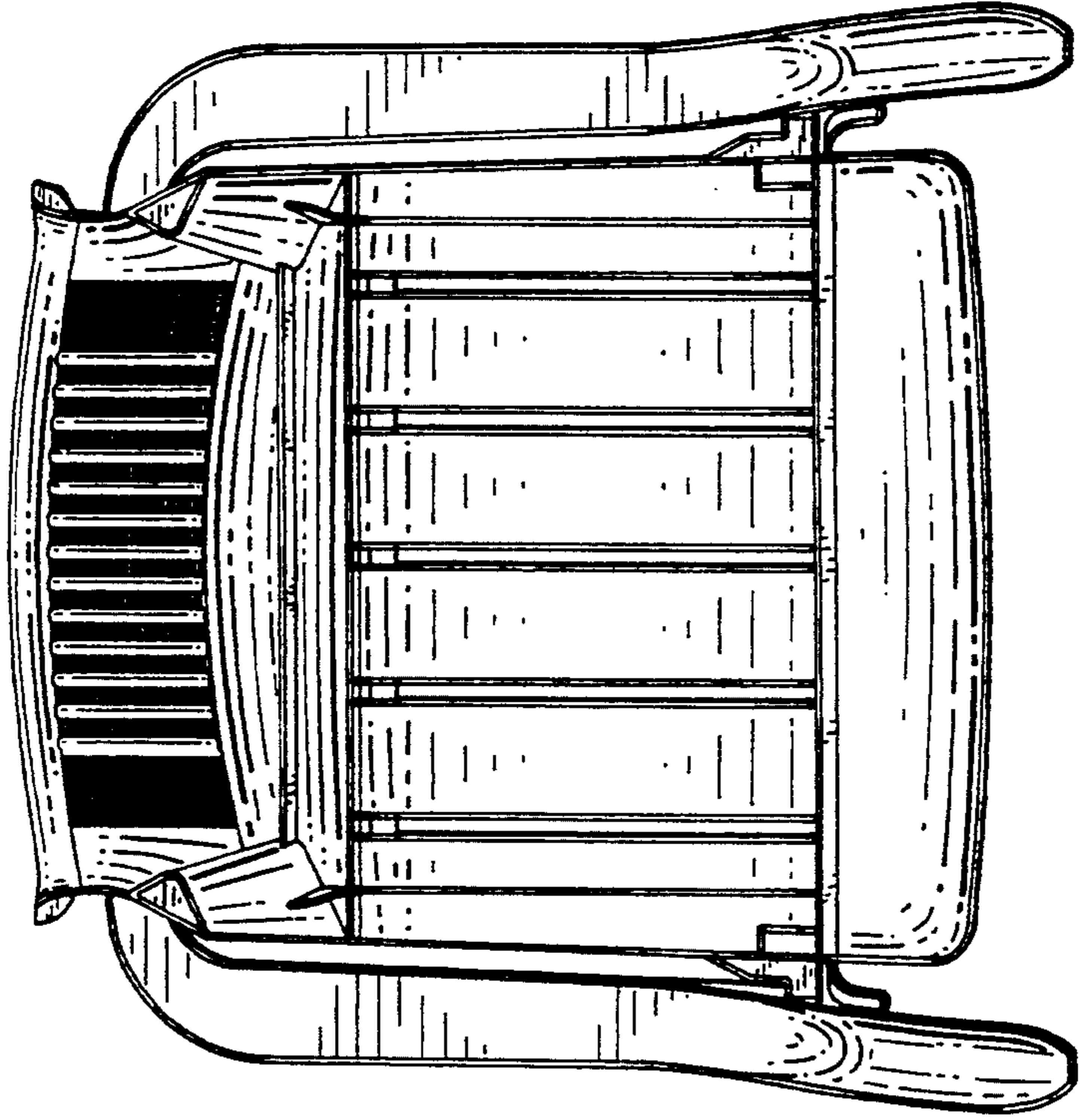




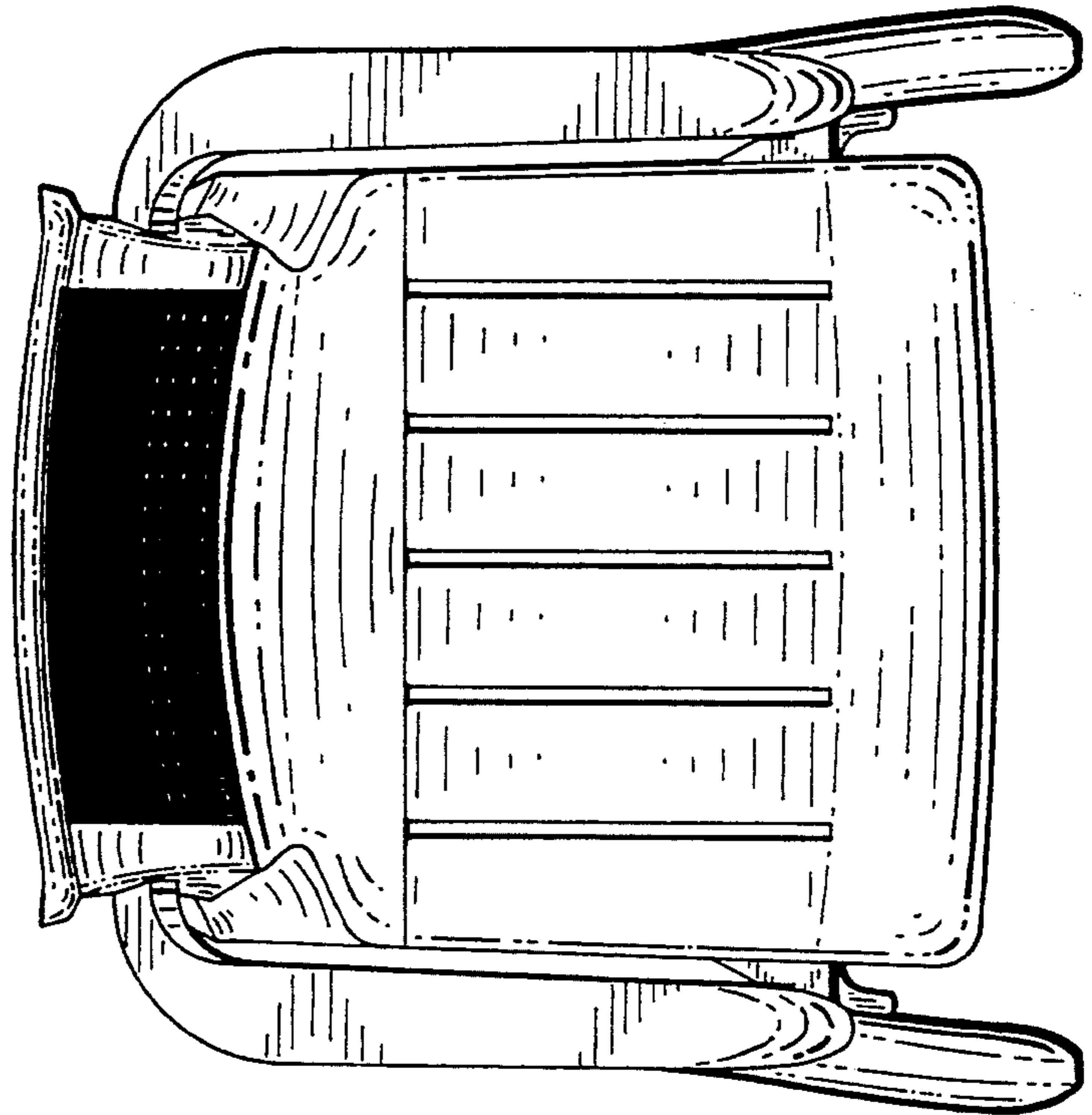
*Fig. 2.*



*Fig. 1.*

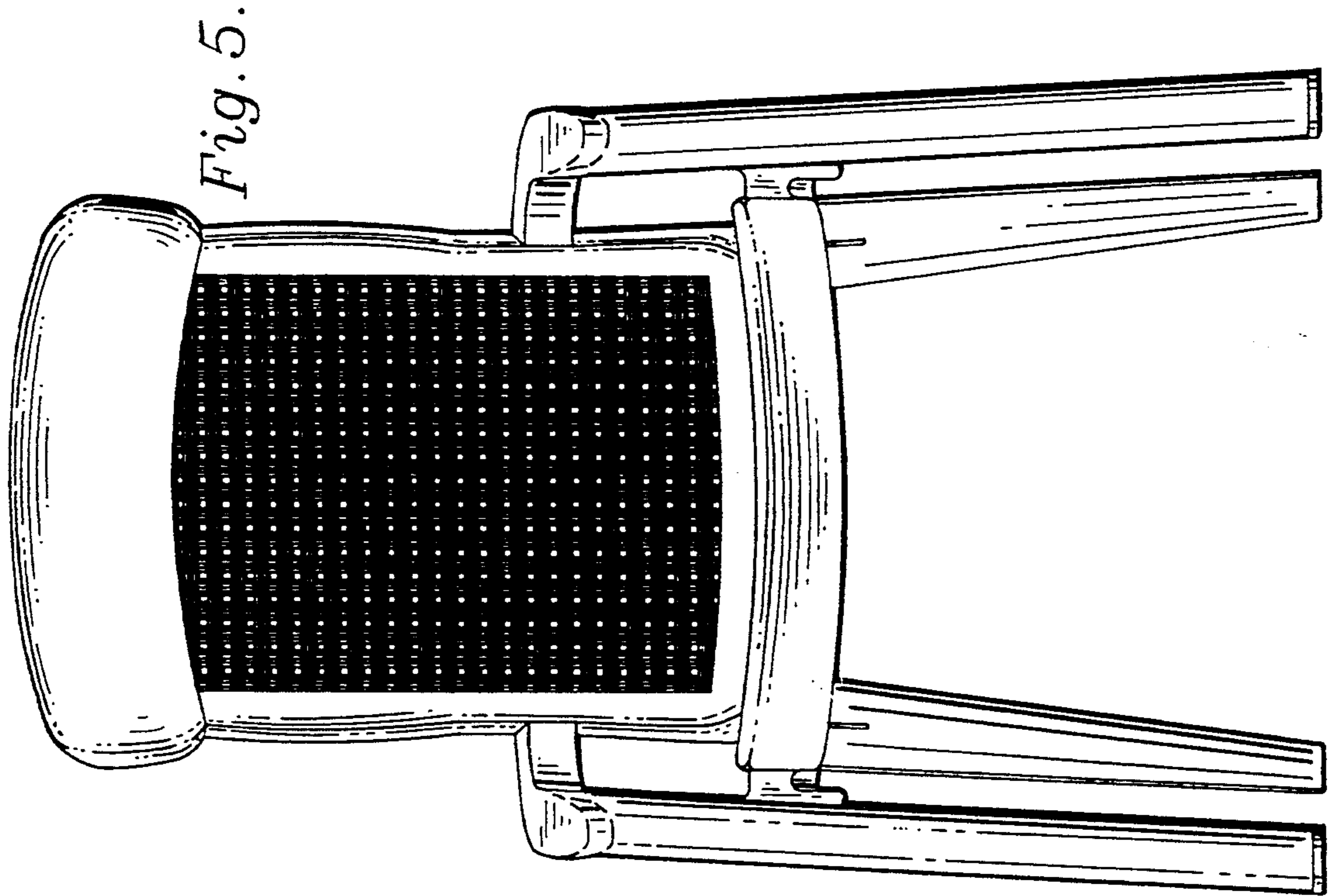
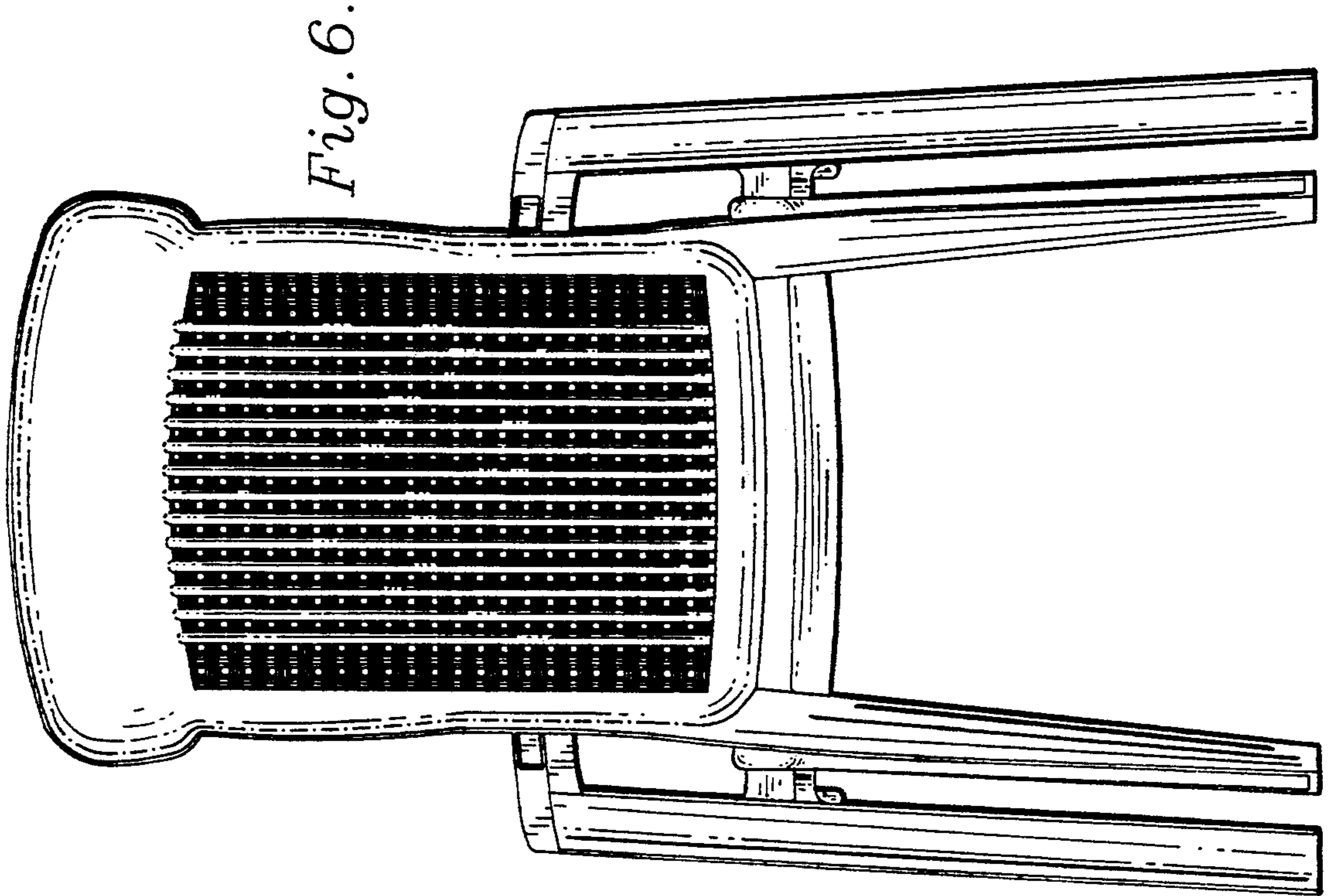


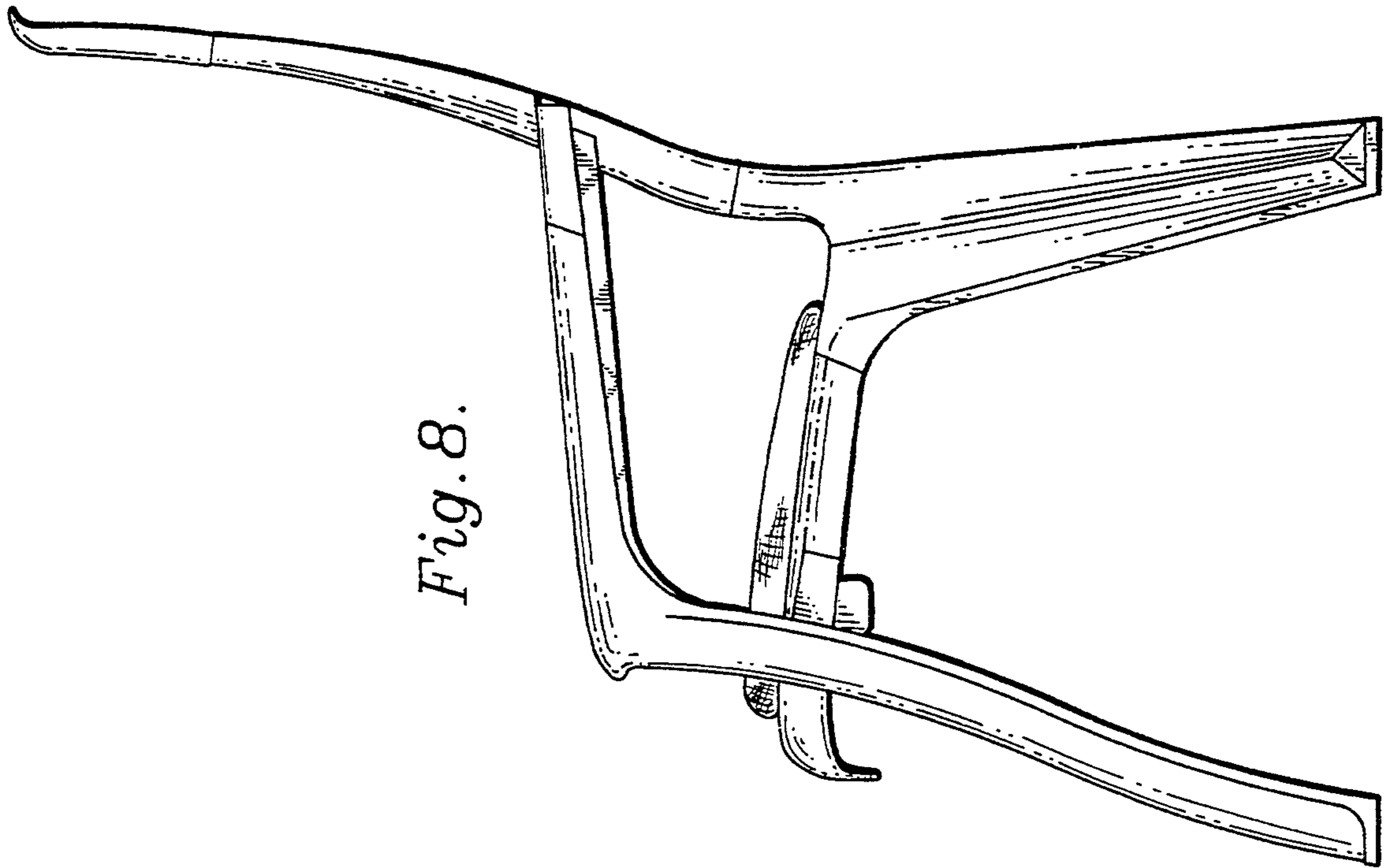
*Fig. 4.*



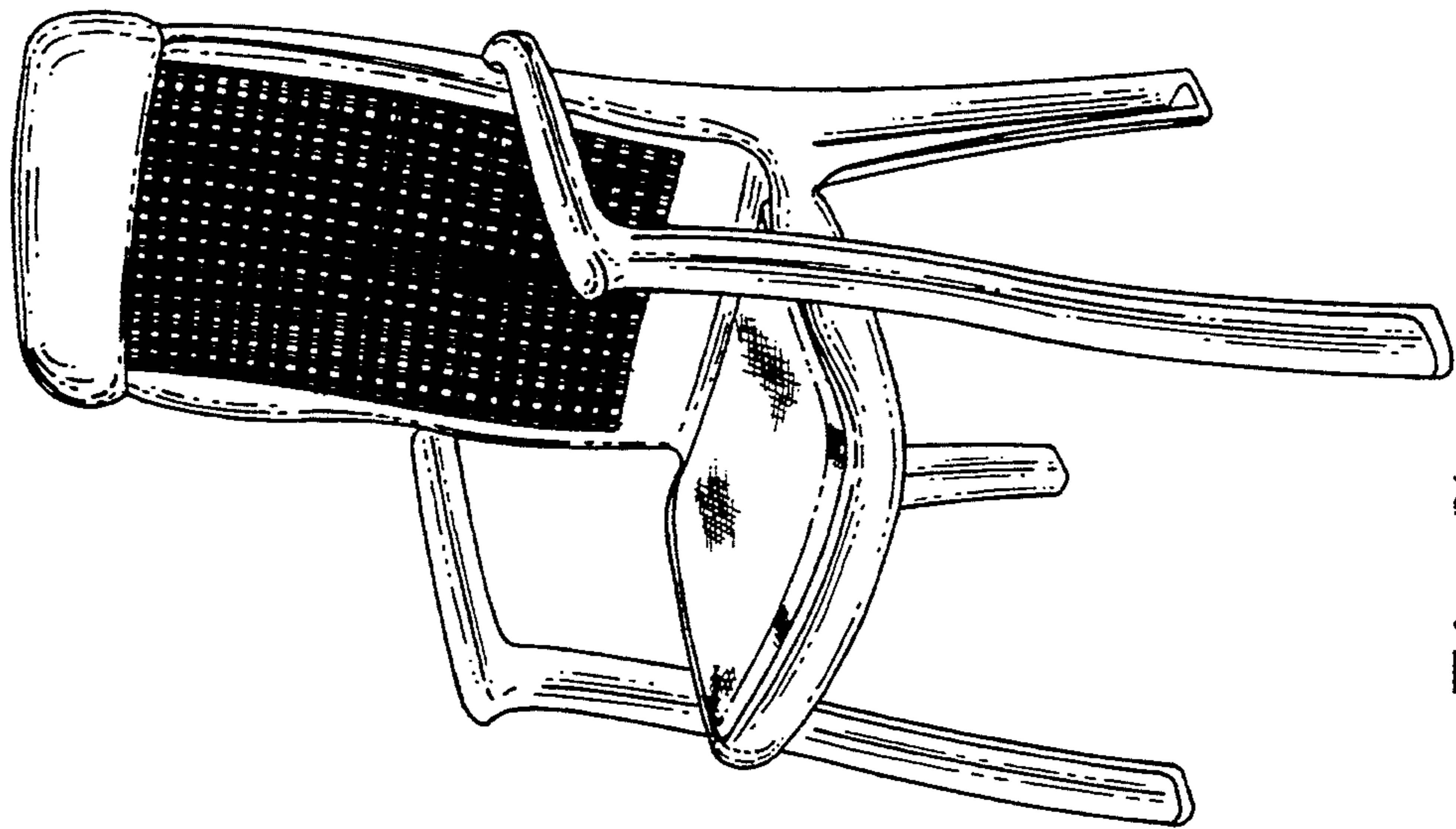
*Fig. 3.*







*Fig. 8.*



*Fig. 7.*

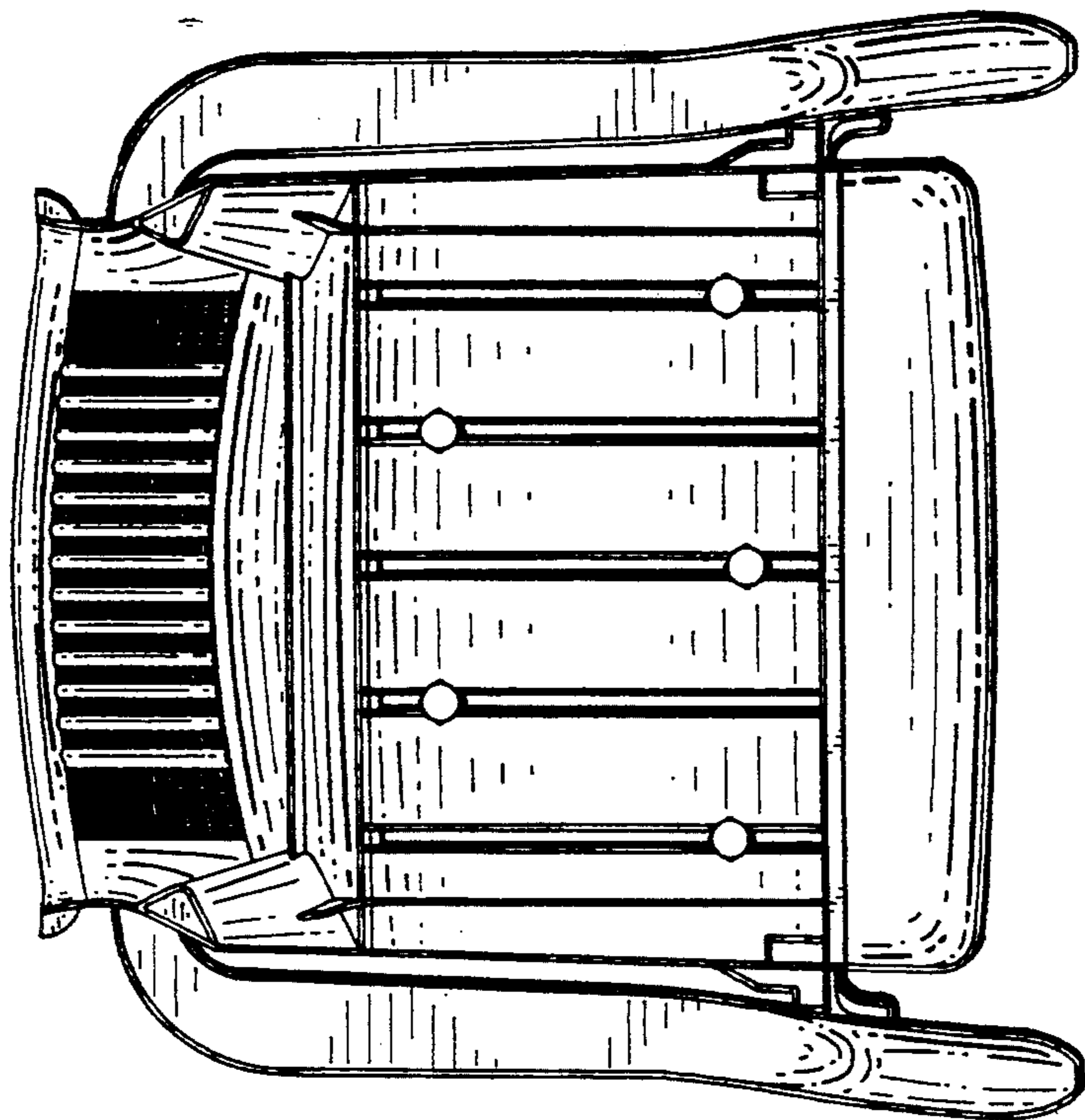


Fig. 9.

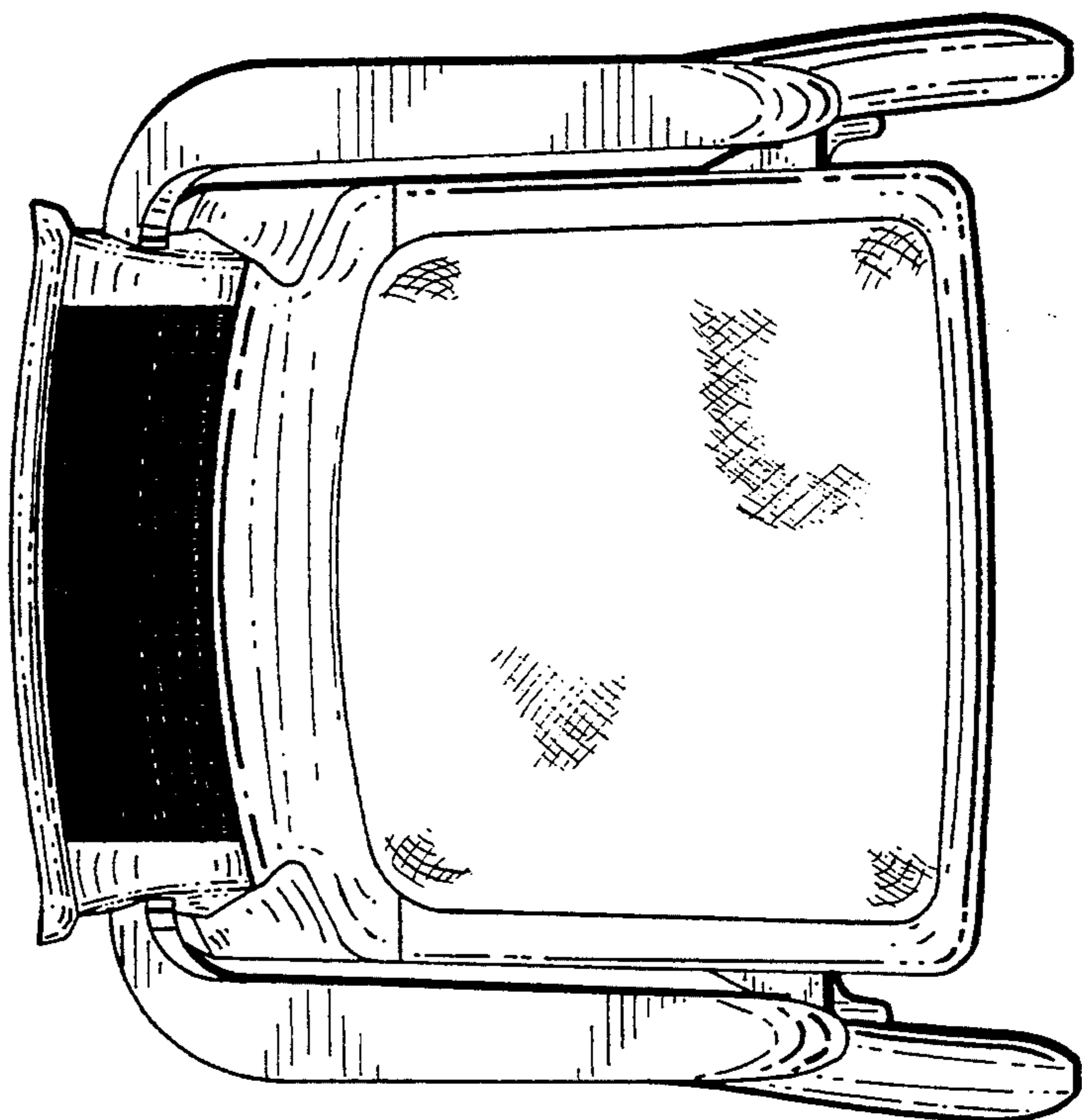


Fig. 10.

