



US00D354177S

United States Patent [19]

[11] Patent Number: **Des. 354,177**

Schwaegerle et al.

[45] Date of Patent: **** Jan. 10, 1995**

[54] **MEDICAL LIFT CHAIR**

[75] Inventors: **Gary G. Schwaegerle**, Cincinnati;
Gregory M. Crook, Columbus, both
of Ohio

[73] Assignee: **Reliance Medical Products, Inc.**,
Mason, Ohio

[**] Term: **14 Years**

[21] Appl. No.: **12,786**

[22] Filed: **Sep. 10, 1993**

[52] U.S. Cl. **D6/360; D6/367;**
D24/183

[58] Field of Search **D6/334, 335, 360, 364,**
D6/365, 367, 379, 500, 501, 502; D24/178, 183;
297/344.19, 354.13, 423.25

[56] **References Cited**

U.S. PATENT DOCUMENTS

D. 179,969	4/1957	Fidel	D6/360
D. 180,350	5/1957	Armbruster	D6/360
D. 180,393	6/1957	Dlouhy	D6/360
D. 186,879	12/1959	Klein	D6/360
D. 194,673	2/1963	Watlington	D6/360
D. 277,239	1/1985	White	D6/364 X
3,514,153	5/1970	Maurer et al. .	
3,661,421	5/1972	Johnson .	

FOREIGN PATENT DOCUMENTS

1137590 12/1968 United Kingdom .

Primary Examiner—Alan P. Douglas
Assistant Examiner—Gary D. Watson
Attorney, Agent, or Firm—Wood, Herron & Evans

[57] **CLAIM**

The ornamental design for a medical lift chair, as shown and described.

DESCRIPTION

FIG. 1 is a perspective view of the medical lift chair in an upright position depicting the front and right sides thereof;

FIG. 2 is a front elevational view thereof;

FIG. 3 is a right side elevational view thereof, the left side elevational view thereof being a mirror image;

FIG. 4 is a rear elevational view thereof;

FIG. 5 is a top plan view thereof;

FIG. 6 is a bottom plan view thereof;

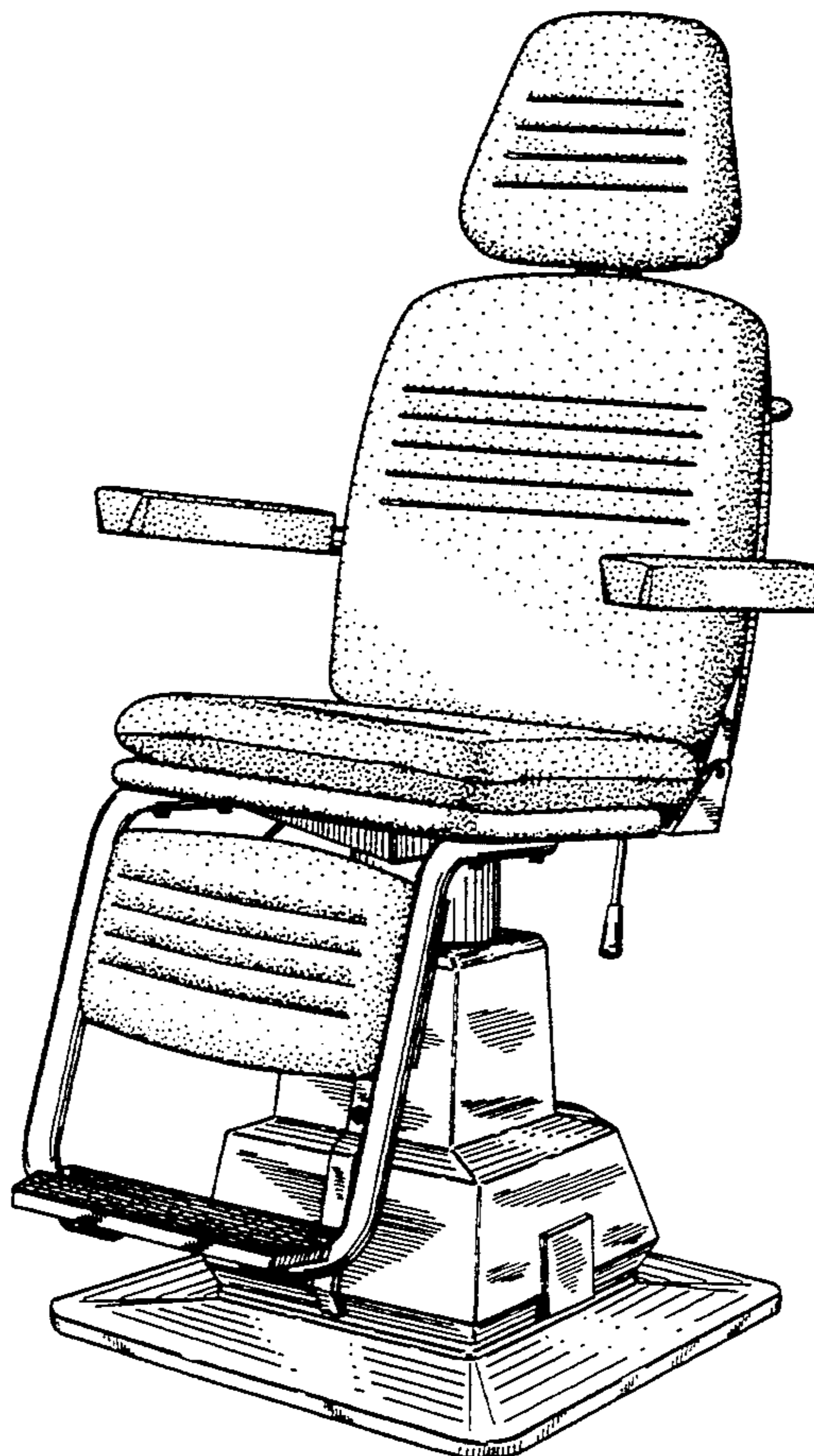
FIG. 7 is a front elevational view of the medical lift chair in a reclined position;

FIG. 8 is a right side elevational view thereof, the left side elevational view thereof being a mirror image;

FIG. 9 is a rear elevational view thereof;

FIG. 10 is a top plan view thereof; and,

FIG. 11 is a bottom plan view thereof.



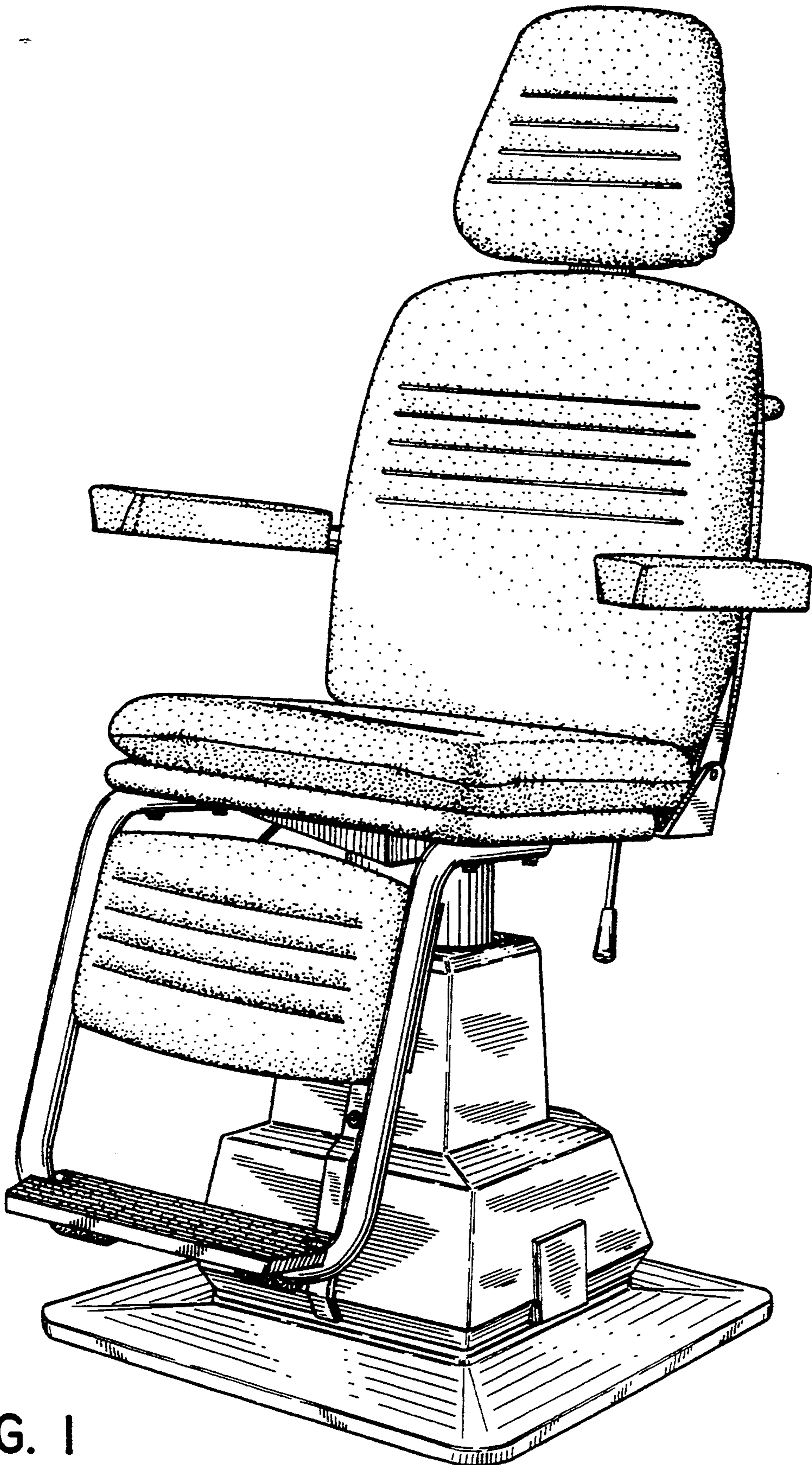


FIG. 1

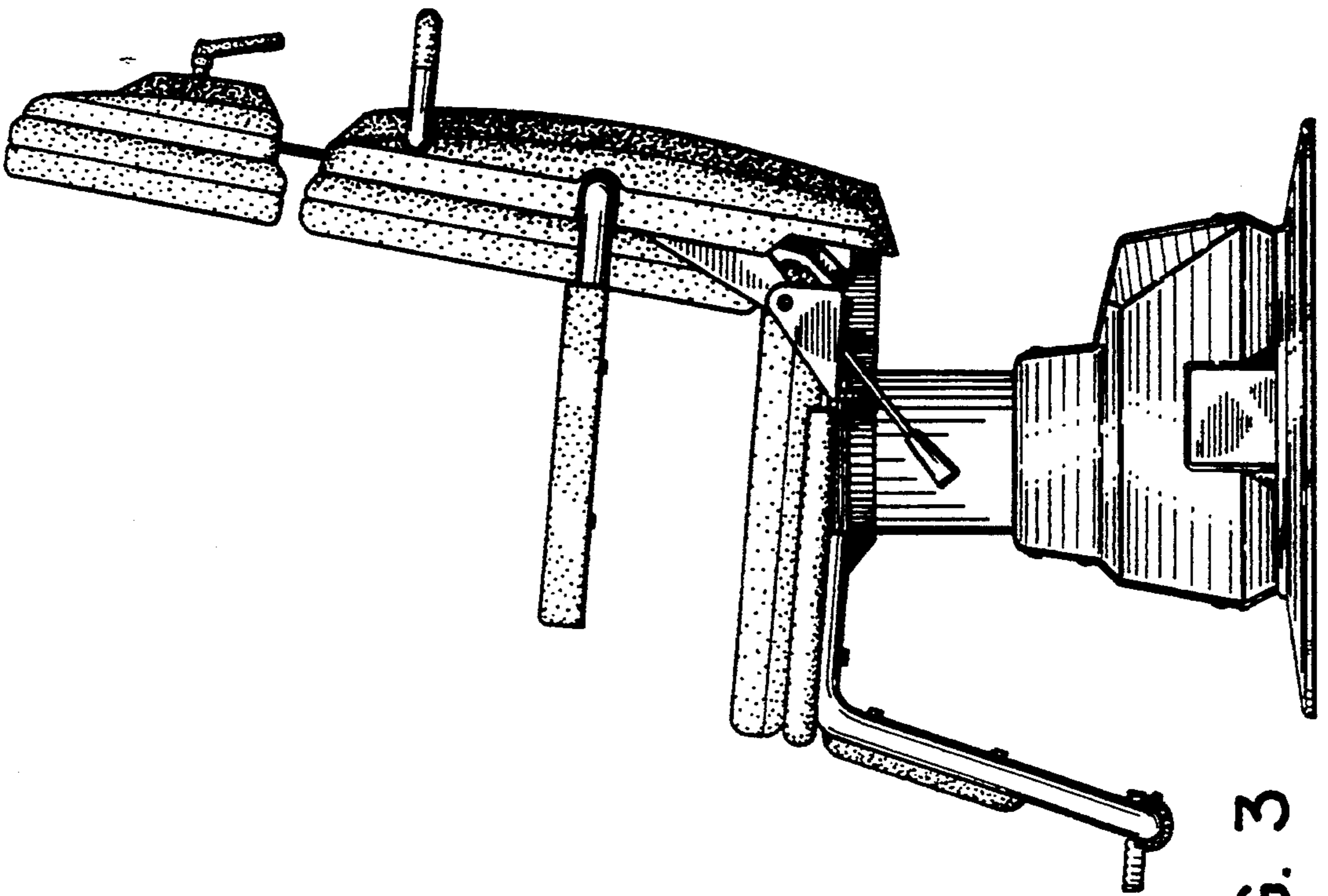


FIG. 3

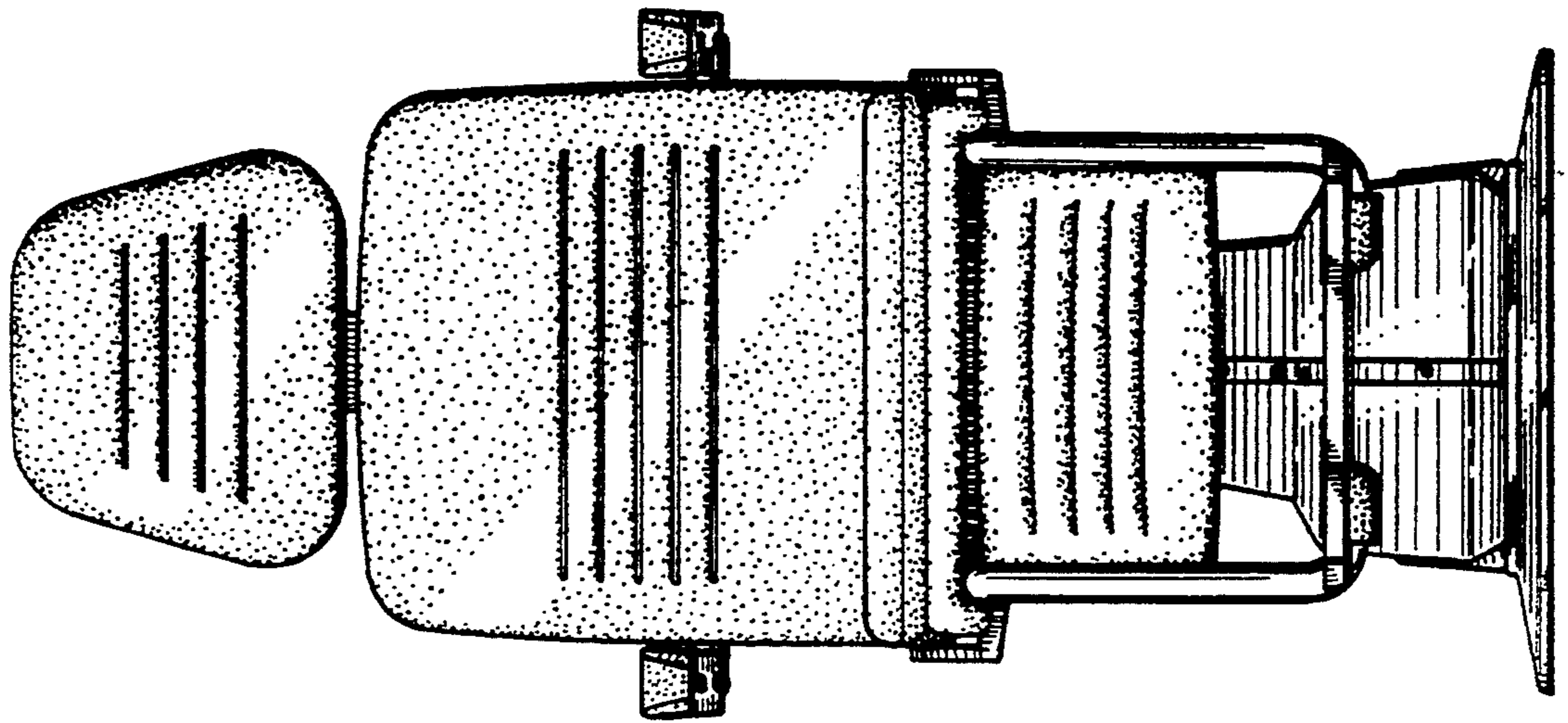


FIG. 2

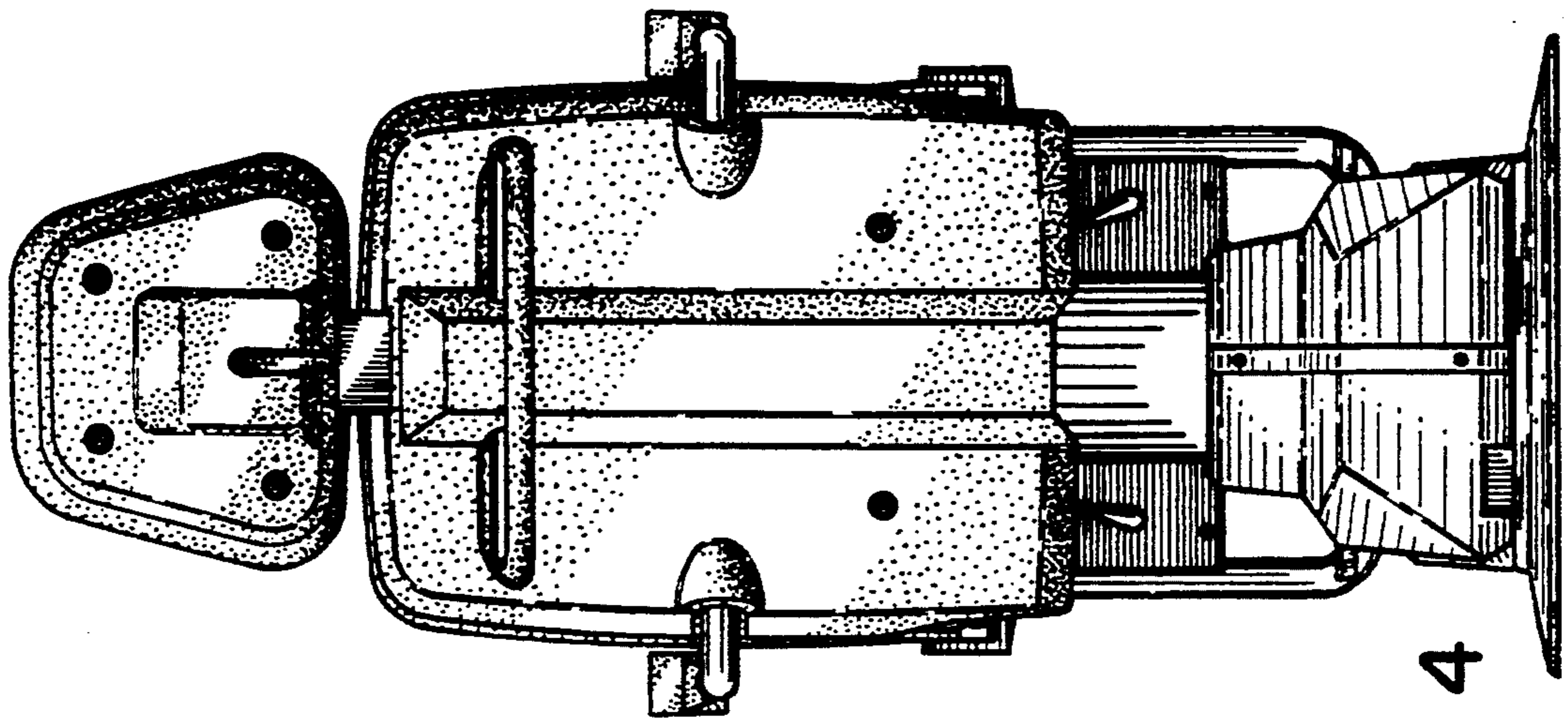


FIG. 4

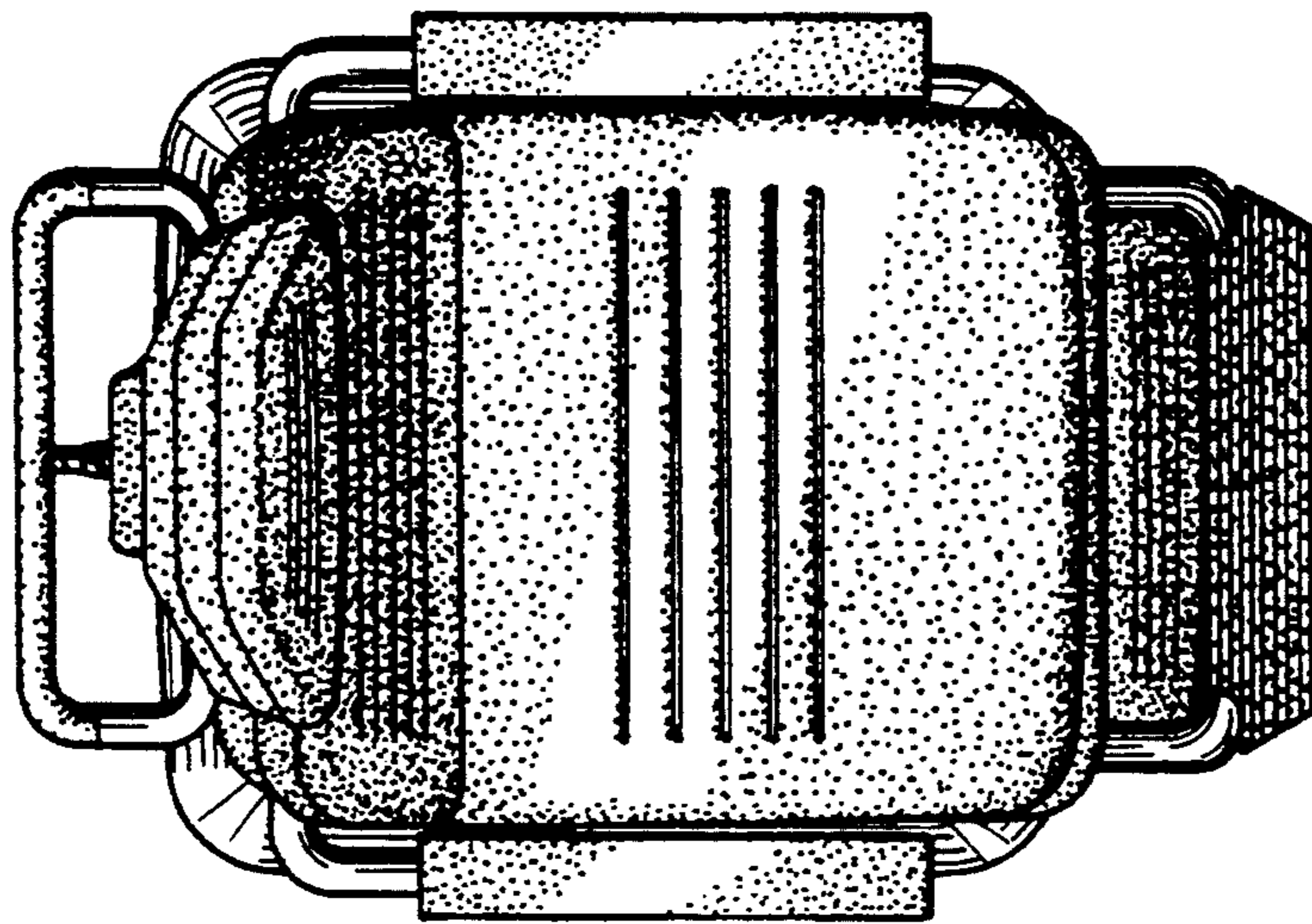


FIG. 5

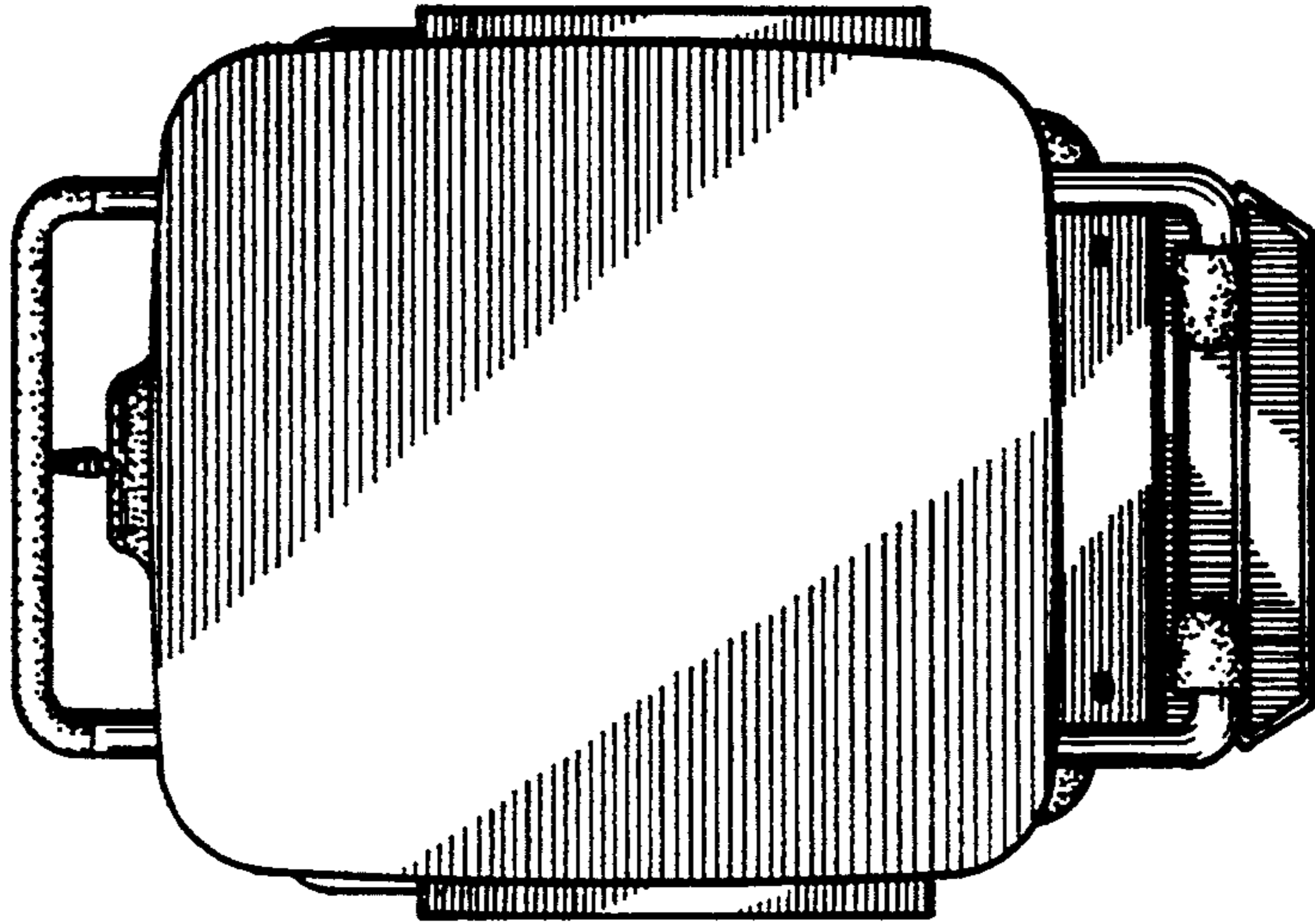


FIG. 6

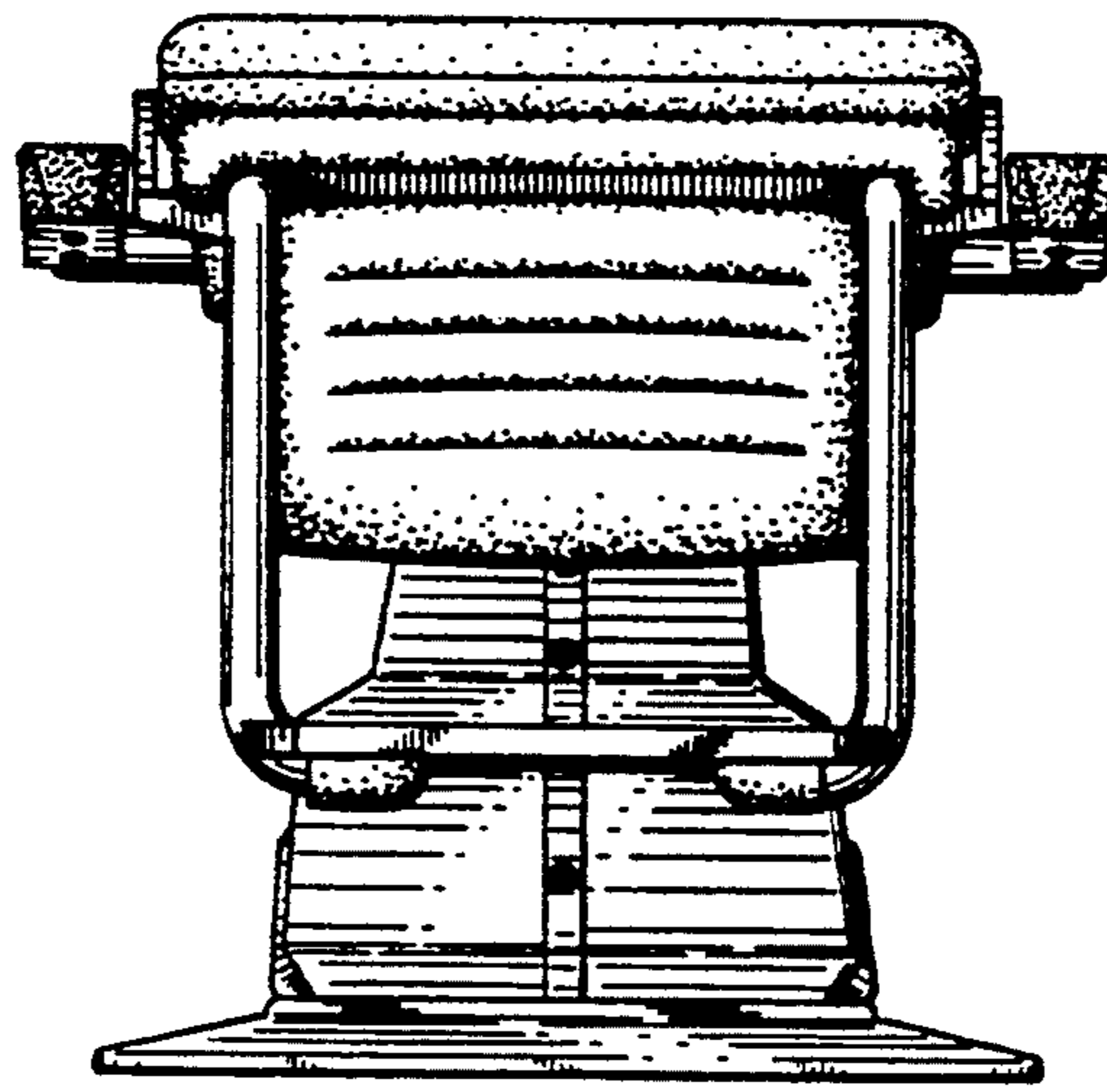


FIG. 7

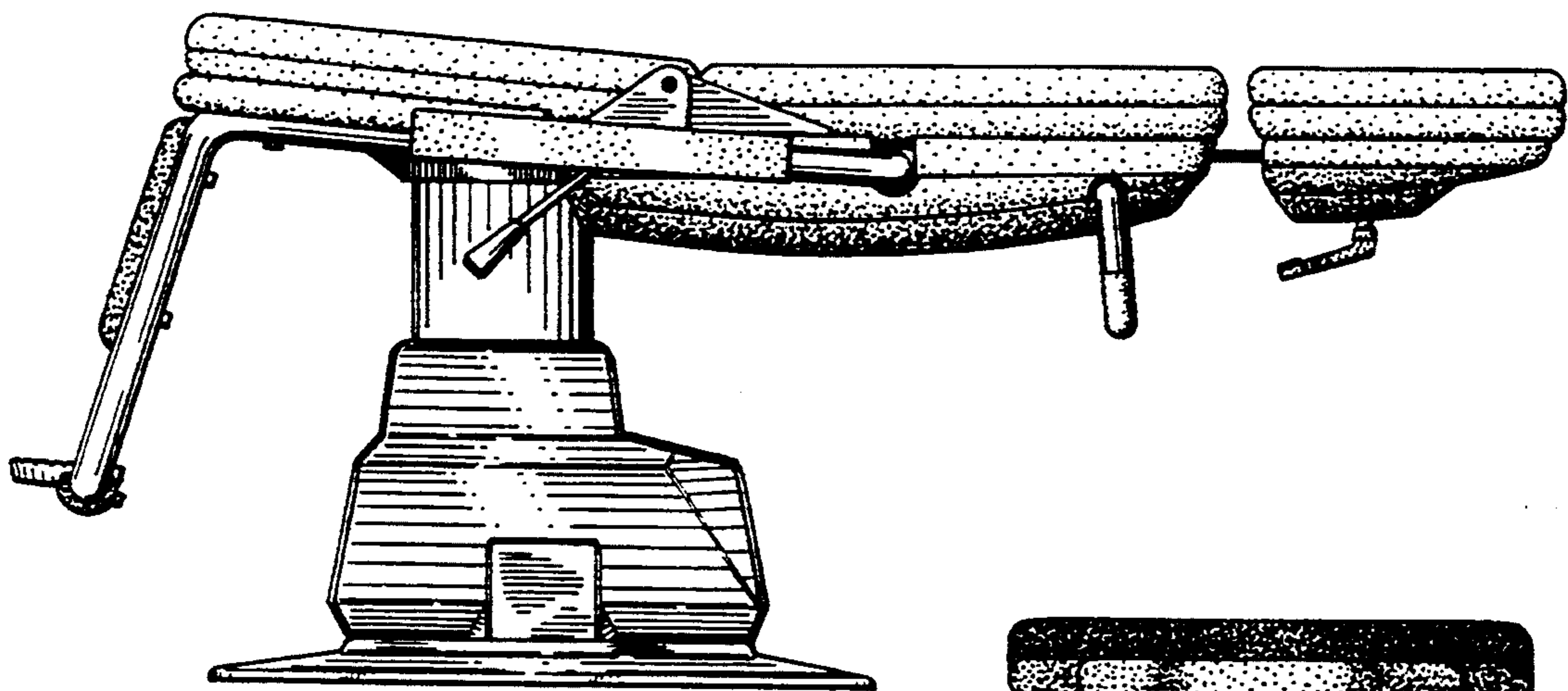


FIG. 8

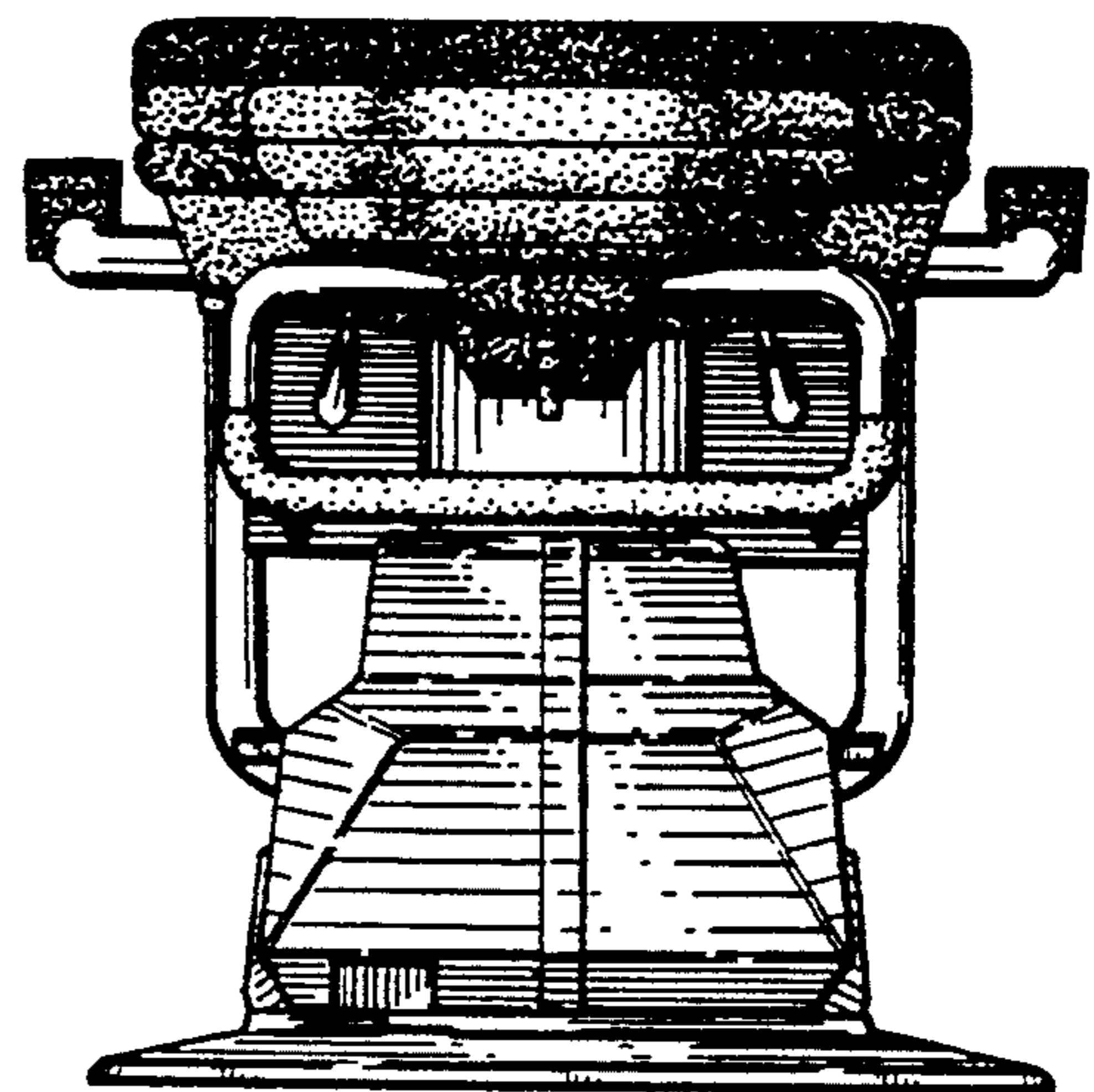


FIG. 9

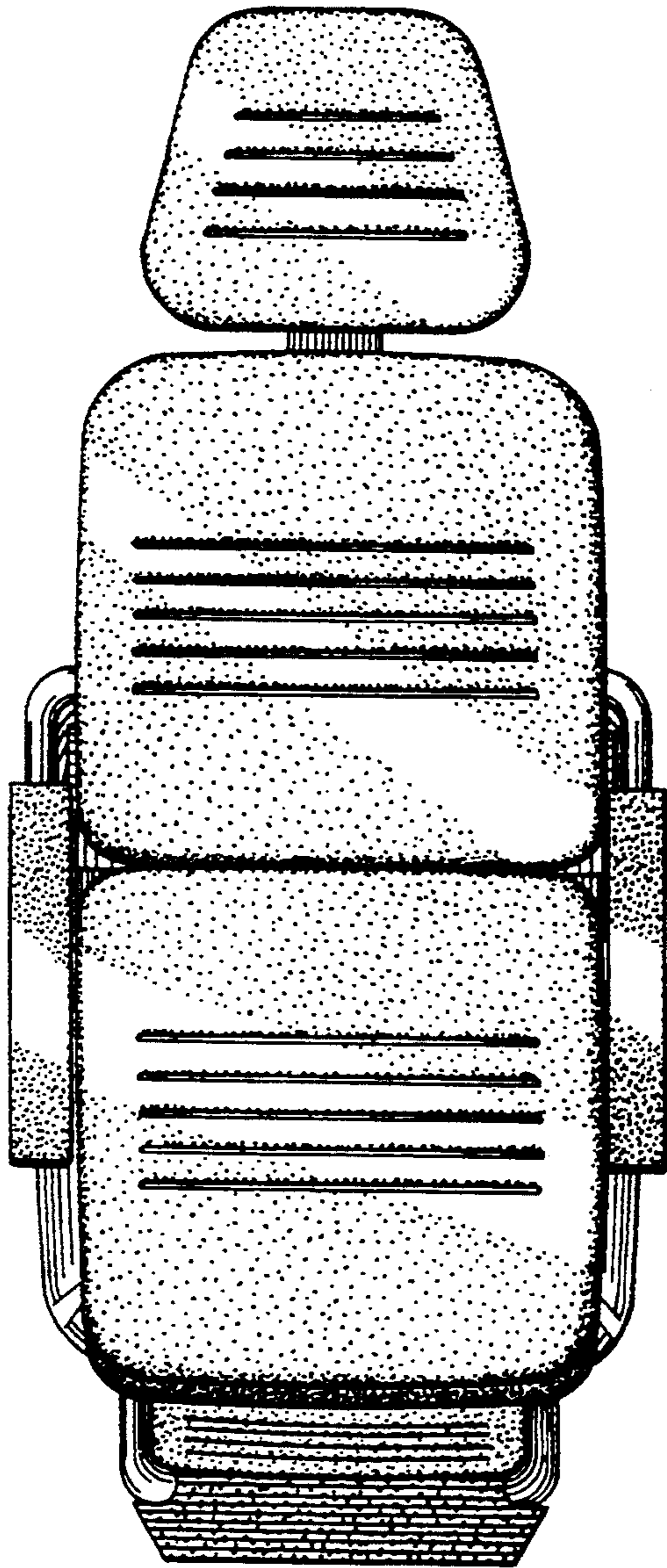


FIG. 10

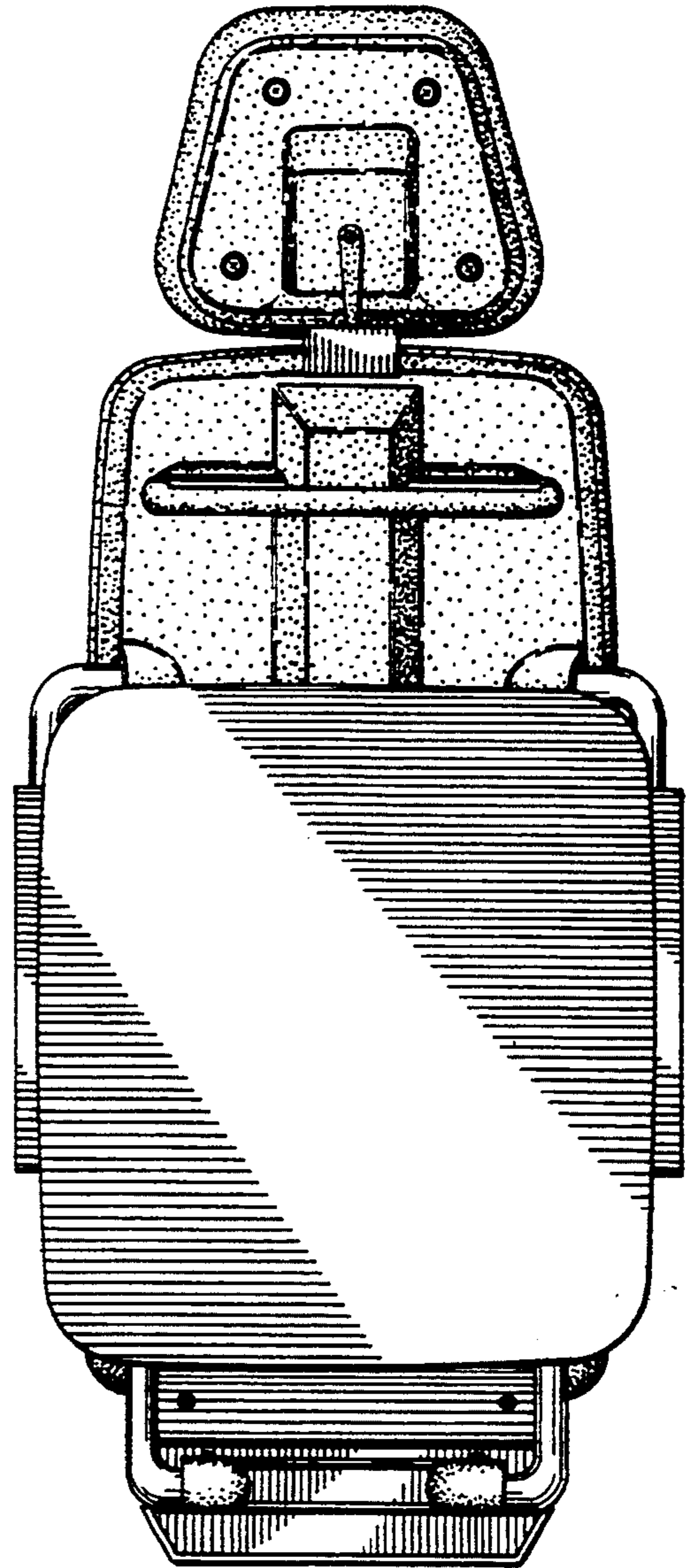


FIG. 11