



US00D354176S

United States Patent [19]

[11] Patent Number: Des. 354,176

Schwaegerle et al.

[45] Date of Patent: ** Jan. 10, 1995

[54] MEDICAL LIFT CHAIR

[75] Inventors: Gary G. Schwaegerle, Cincinnati;
Gregory M. Crook, Columbus, both
of Ohio

[73] Assignee: Reliance Medical Products, Inc.,
Mason, Ohio

[**] Term: 14 Years

[21] Appl. No.: 12,811

[22] Filed: Sep. 10, 1993

[52] U.S. Cl. D6/360; D6/367;
D24/183

[58] Field of Search D6/334, 335, 360, 364,
D6/365, 367, 379, 500, 501, 502; D24/178, 183;
297/344.19, 354.13, 423.25

[56] References Cited

U.S. PATENT DOCUMENTS

| | | | |
|------------|---------|------------------|----------|
| D. 179,969 | 4/1957 | Fidel | D6/360 |
| D. 180,350 | 5/1957 | Armbruster | D6/360 |
| D. 180,393 | 6/1957 | Dlouhy | D6/360 |
| D. 186,879 | 12/1959 | Klein | D6/360 |
| D. 194,673 | 2/1963 | Watlington | D6/360 |
| D. 277,239 | 1/1985 | White | D6/364 X |
| 3,514,153 | 5/1970 | Maurer et al. . | |
| 3,661,421 | 5/1972 | Johnson . | |

- FOREIGN PATENT DOCUMENTS

1137590 12/1968 United Kingdom .

Primary Examiner—Alan P. Douglas

Assistant Examiner—Gary D. Watson

Attorney, Agent, or Firm—Wood, Herron & Evans

[57] CLAIM

The ornamental design for a medical lift chair, as shown and described.

DESCRIPTION

FIG. 1 is a perspective view of the medical lift chair in an upright position depicting the front and right sides thereof;

FIG. 2 is a front elevational view thereof;

FIG. 3 is a right side elevational view thereof, the left side elevational view thereof being a mirror image;

FIG. 4 is a rear elevational view thereof;

FIG. 5 is a top plan view thereof;

FIG. 6 is a bottom plan view thereof;

FIG. 7 is a front elevational view of the medical lift chair in a reclined position;

FIG. 8 is a right side elevational view thereof, the left side elevational view thereof being a mirror image;

FIG. 9 is a rear elevational view thereof;

FIG. 10 is a top plan view thereof; and,

FIG. 11 is a bottom plan view thereof.



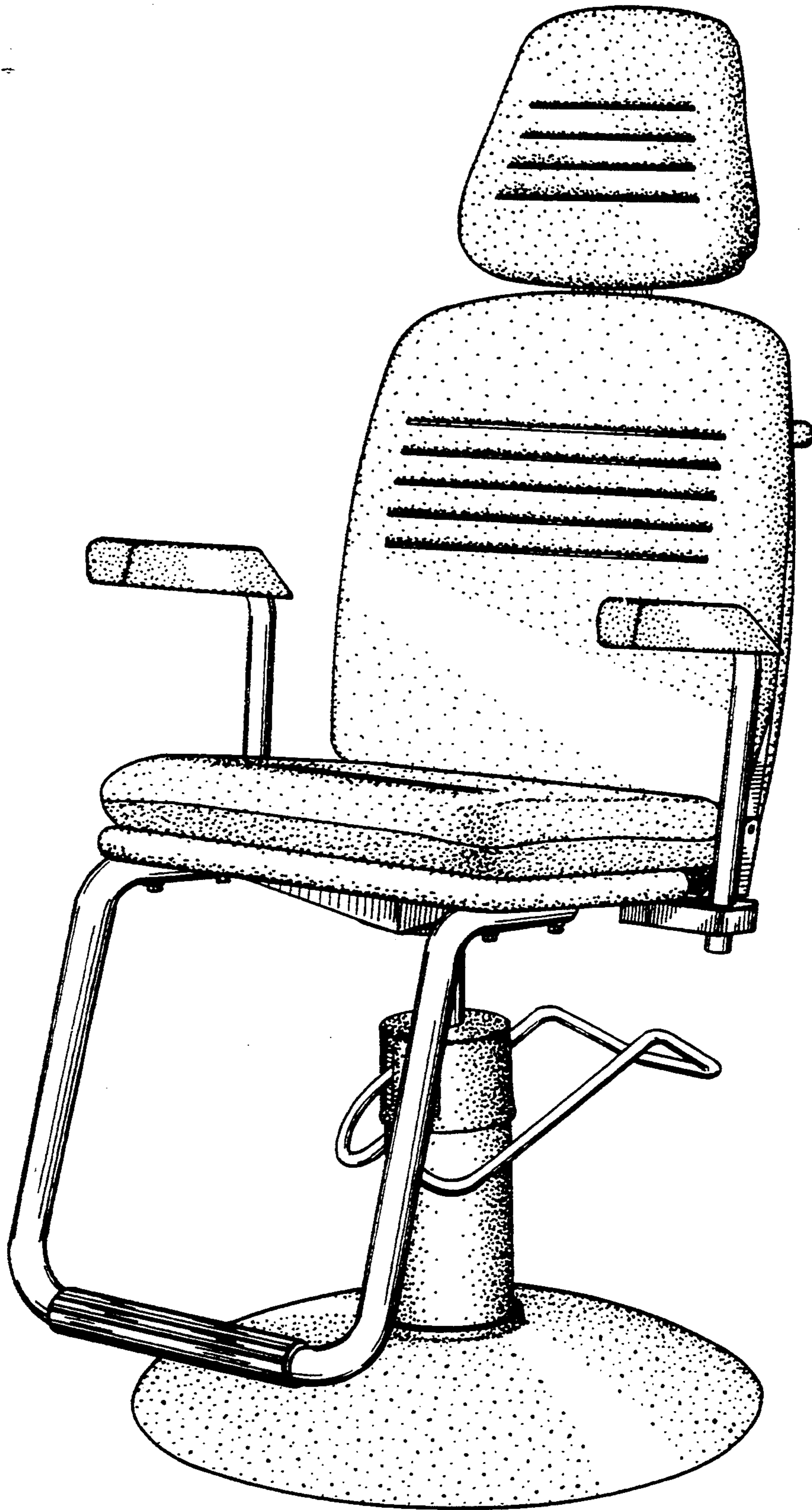


FIG. 1

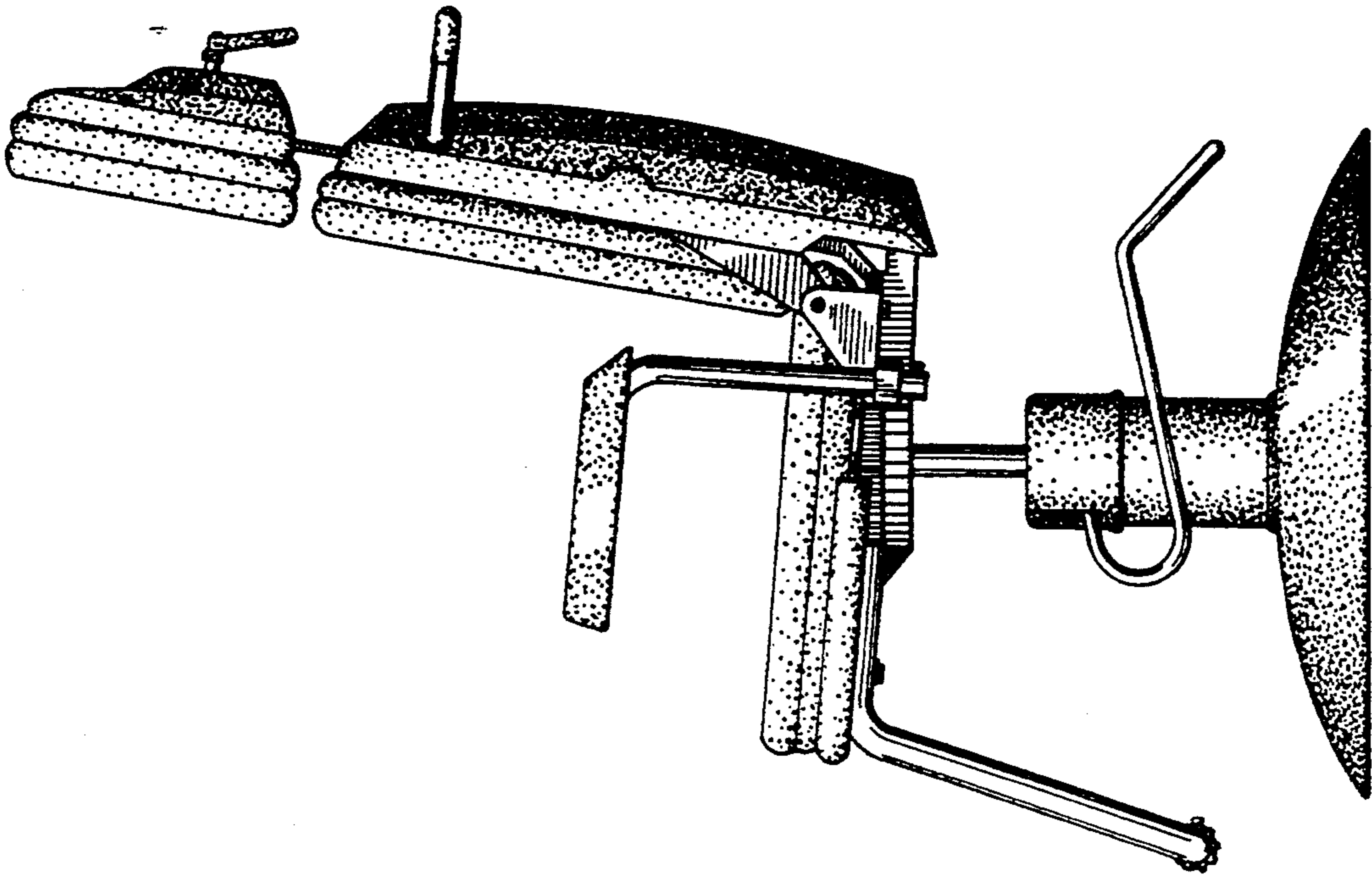


FIG. 3

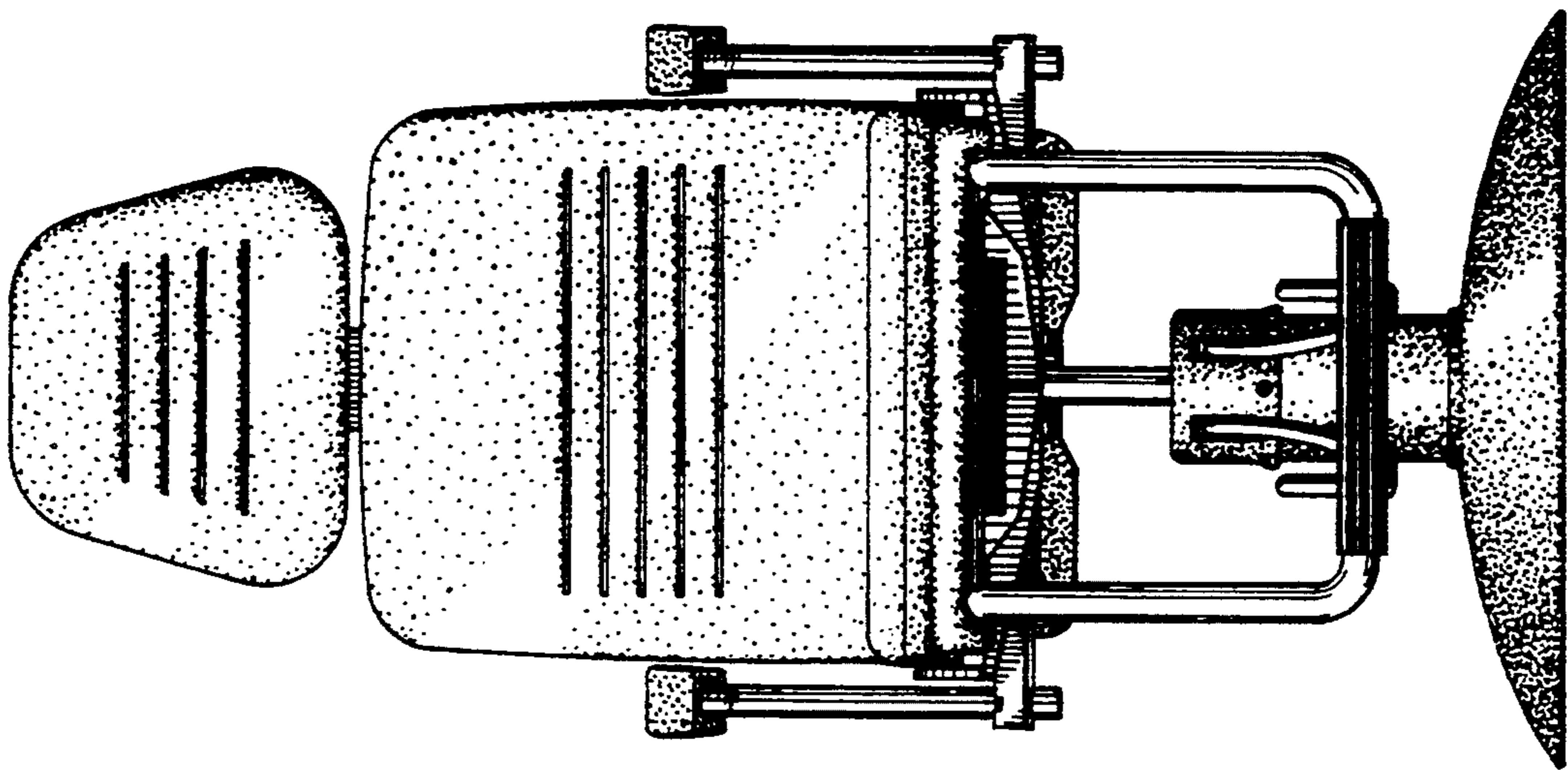


FIG. 2

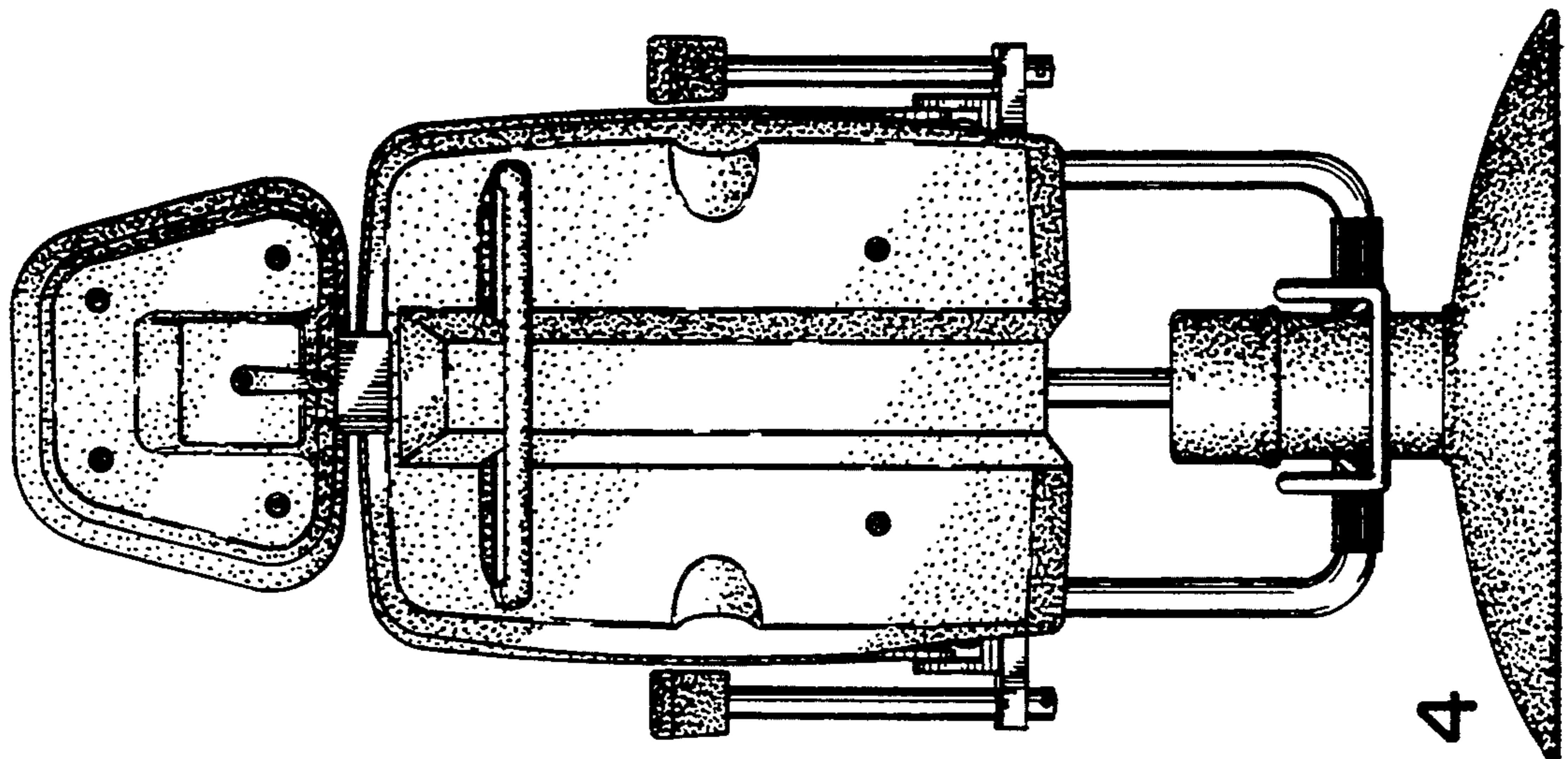


FIG. 4

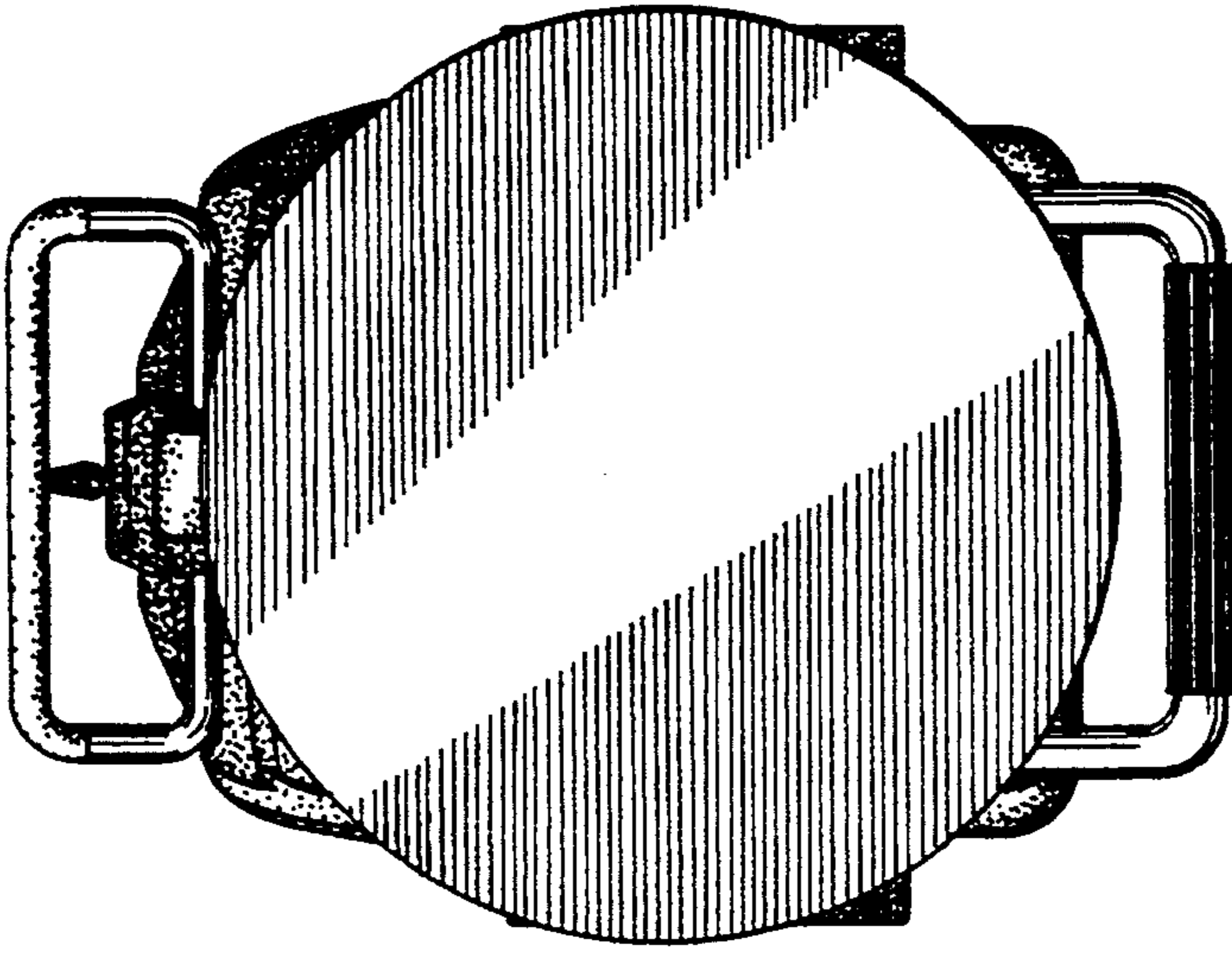


FIG. 5

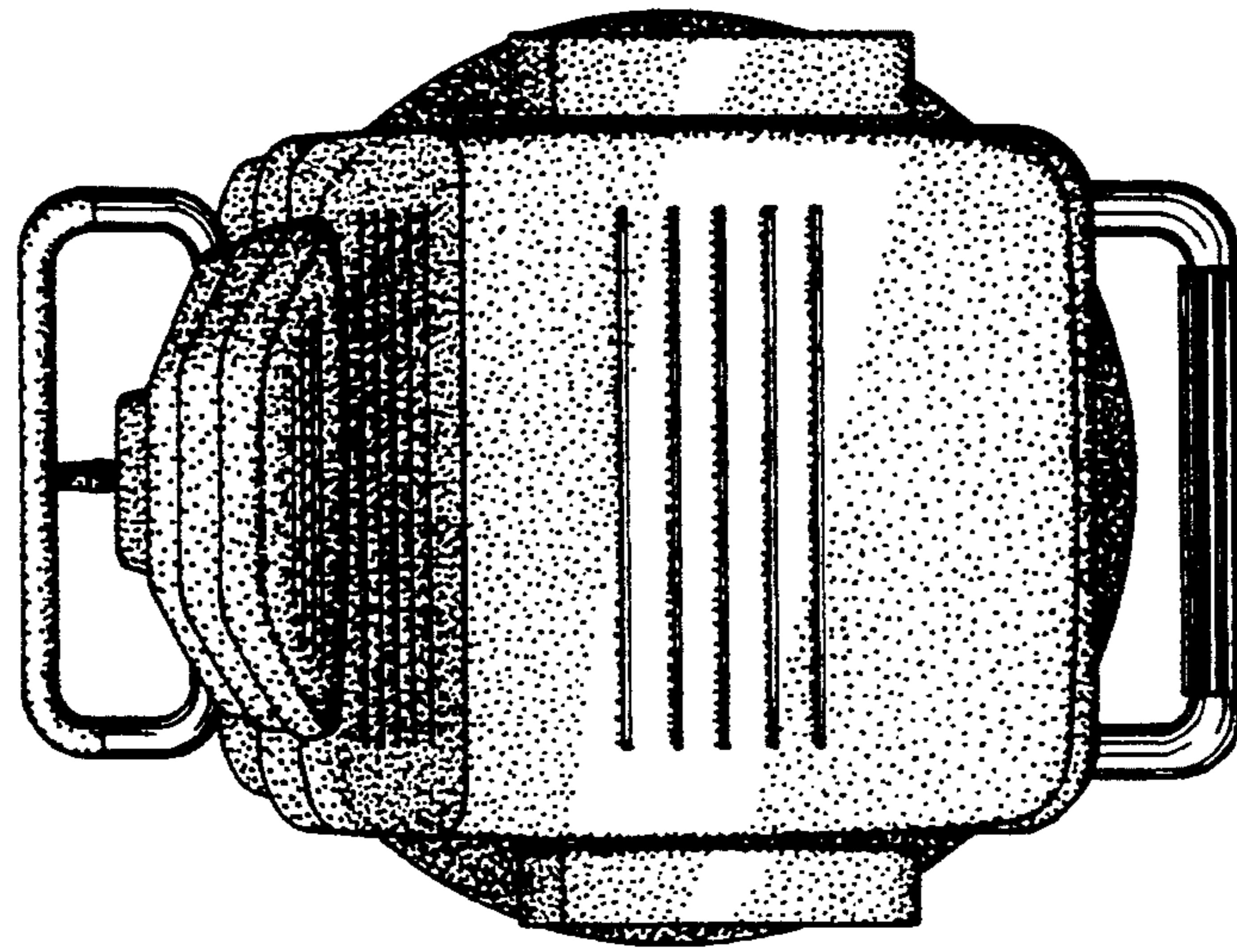


FIG. 6

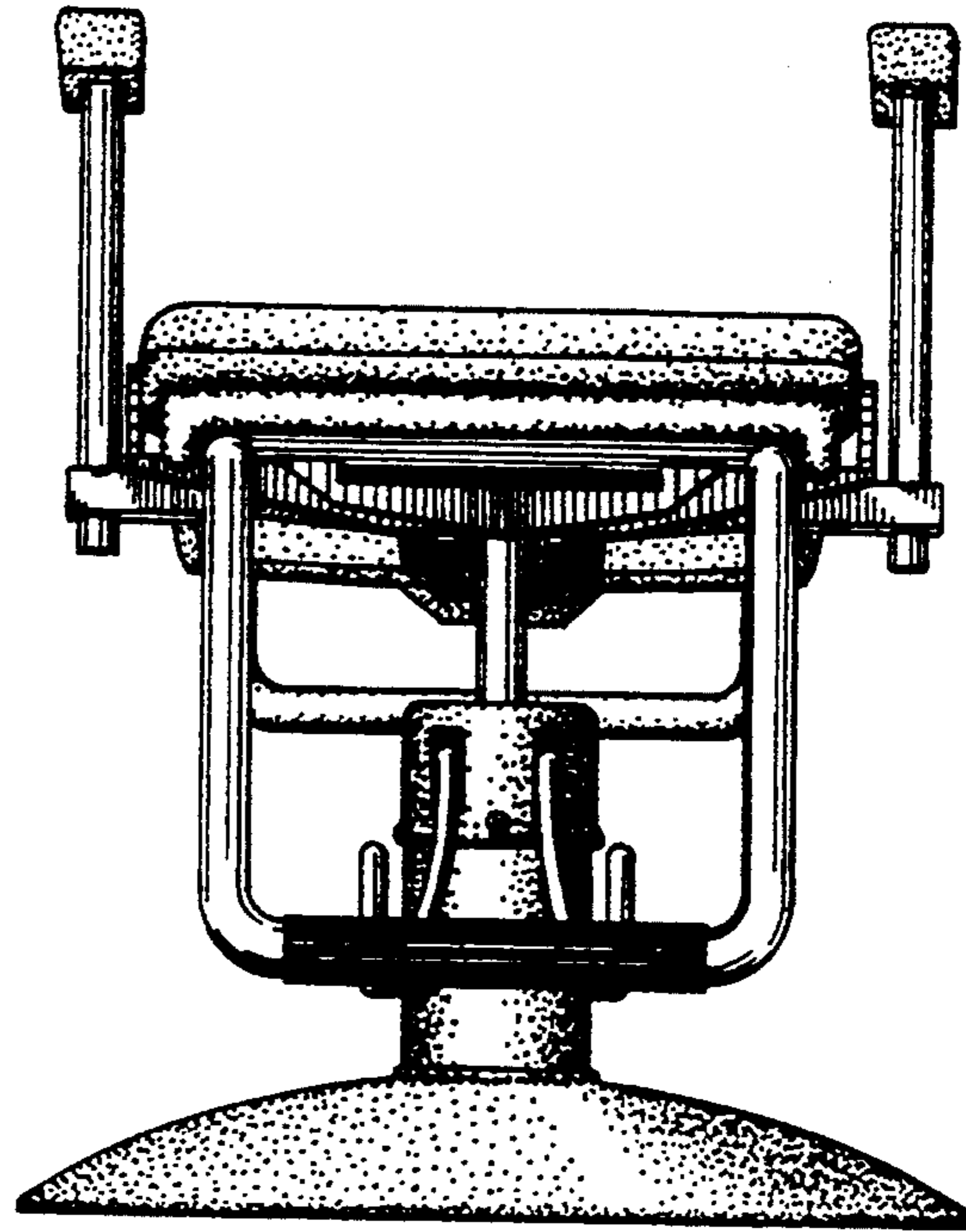


FIG. 7

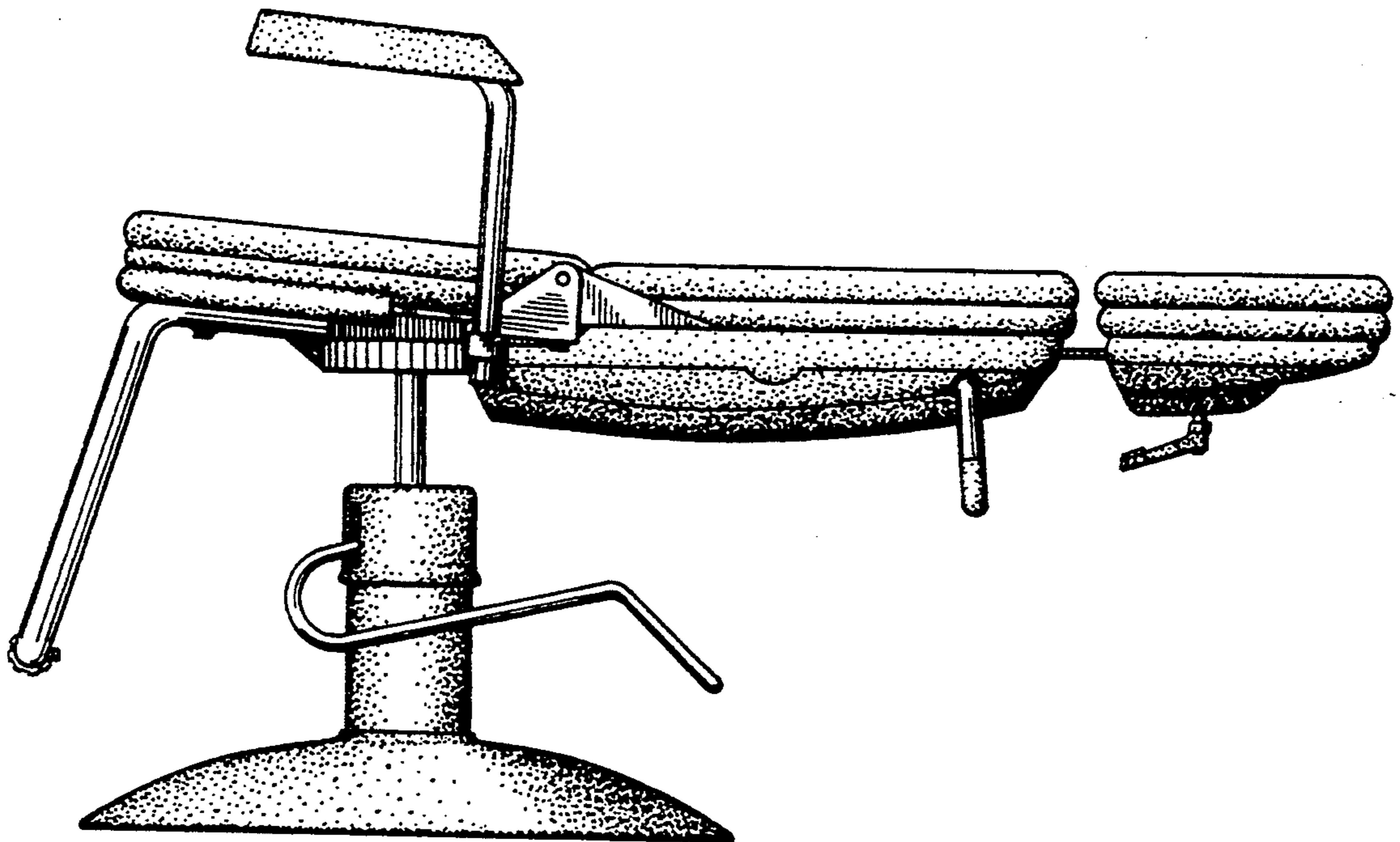


FIG. 8

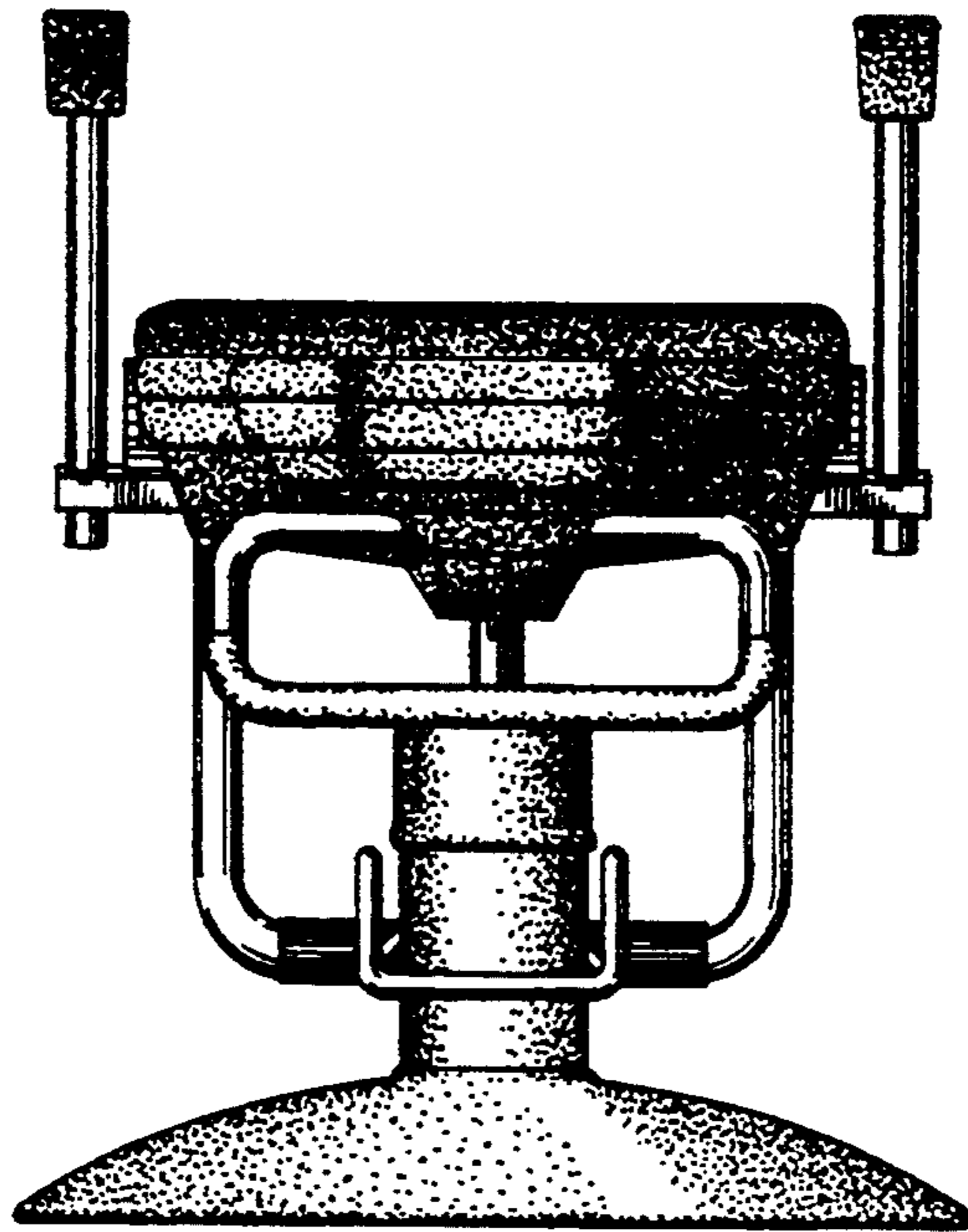


FIG. 9

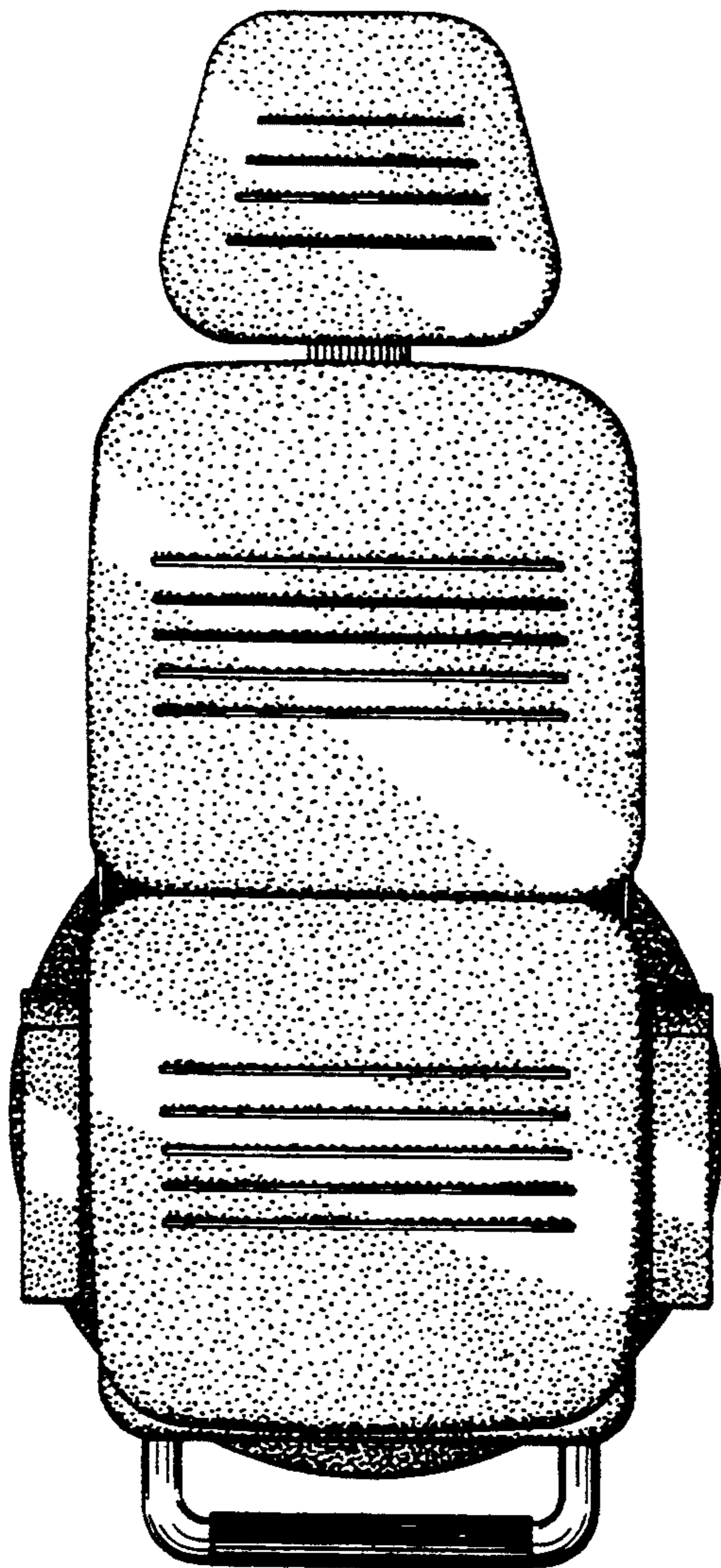


FIG. 10

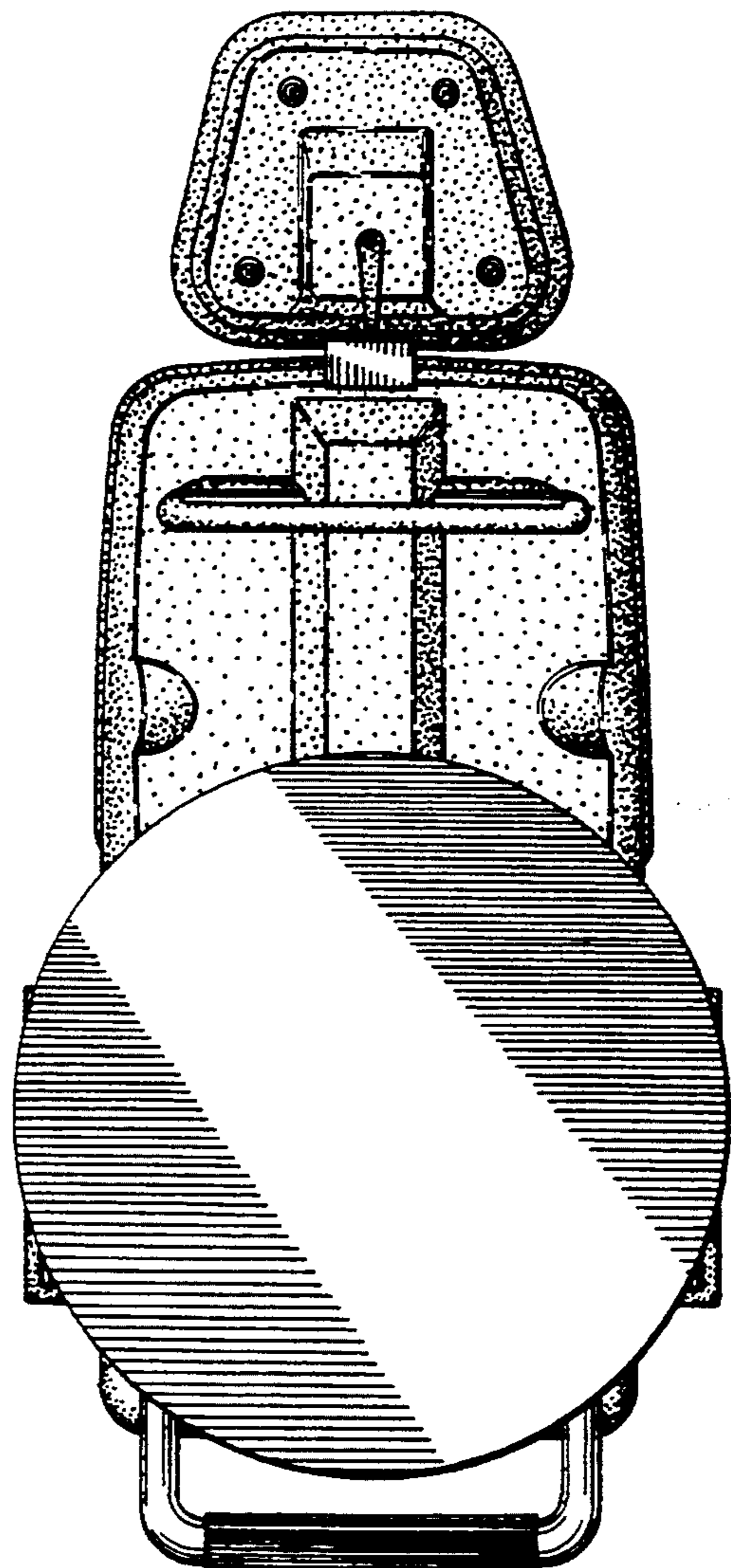


FIG. 11